

[54] TABLE LAMP

[75] Inventor: Mario Botta, Morbio Superiore, Switzerland

[73] Assignee: Artemide S.P.A., Pregnana Milanese Mi, Italy

[**] Term: 14 Years

[21] Appl. No.: 814,951

[22] Filed: Dec. 31, 1985

[30] Foreign Application Priority Data

Jul. 3, 1985 [IT] Italy 22385/85[U]
[52] U.S. Cl. D26/108; D26/61
[58] Field of Search D26/93, 102-112, D26/61, 63; 362/410-414, 806

[56] References Cited

U.S. PATENT DOCUMENTS

D. 282,290 1/1986 Scarpa D26/93

OTHER PUBLICATIONS

Architectural Record, 12-1979, p. 22, Table Lamp.

Architectural Supplements Incorp. Dealer Net. Costs Cat. 6-1979, p. 8, Table Lamp #9080. Institutions, 5-1959, p. 20, Table Lamp. Schöner Wohnen, 8-1981, p. 82SW, Table Lamp.

Primary Examiner—Susan J. Lucas
Attorney, Agent, or Firm—Guido Modiano; Albert Josif

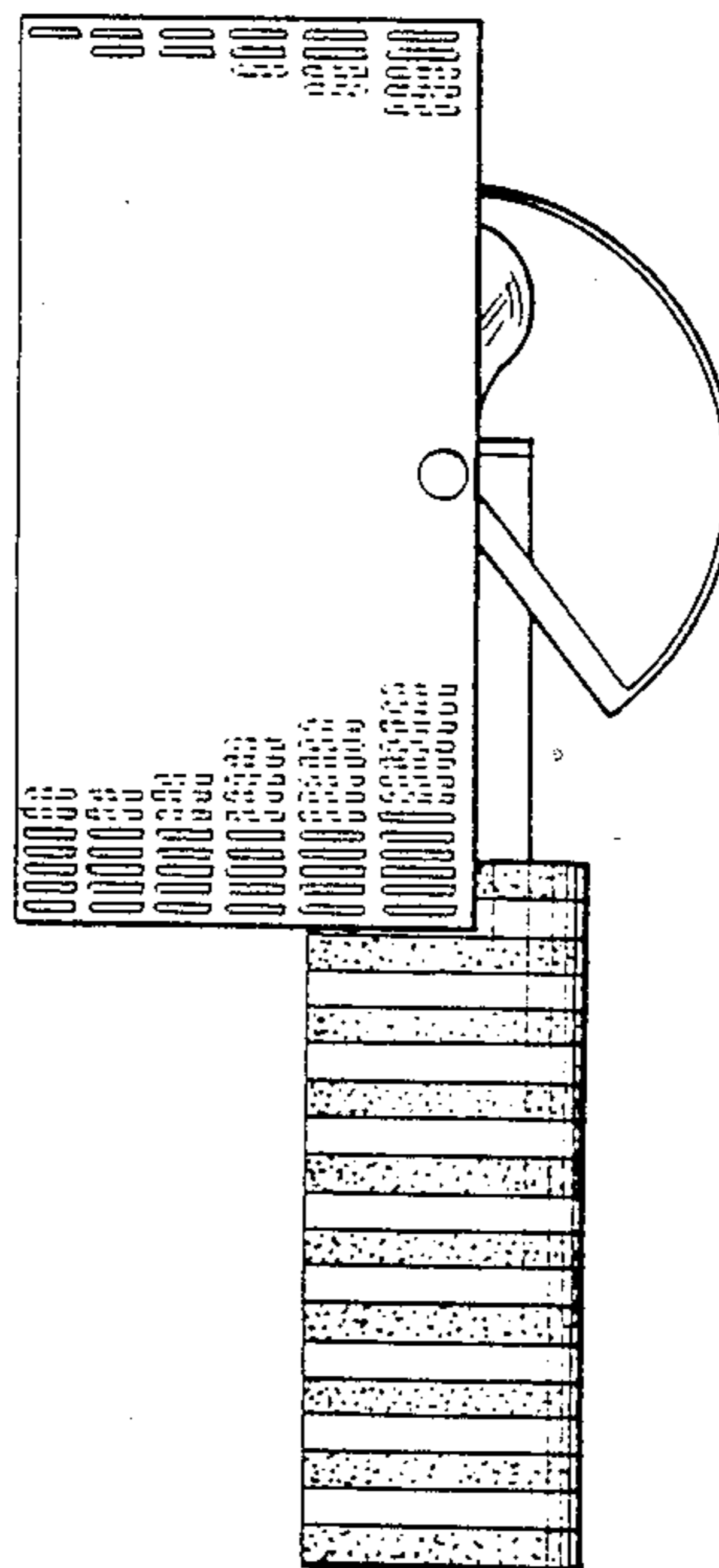
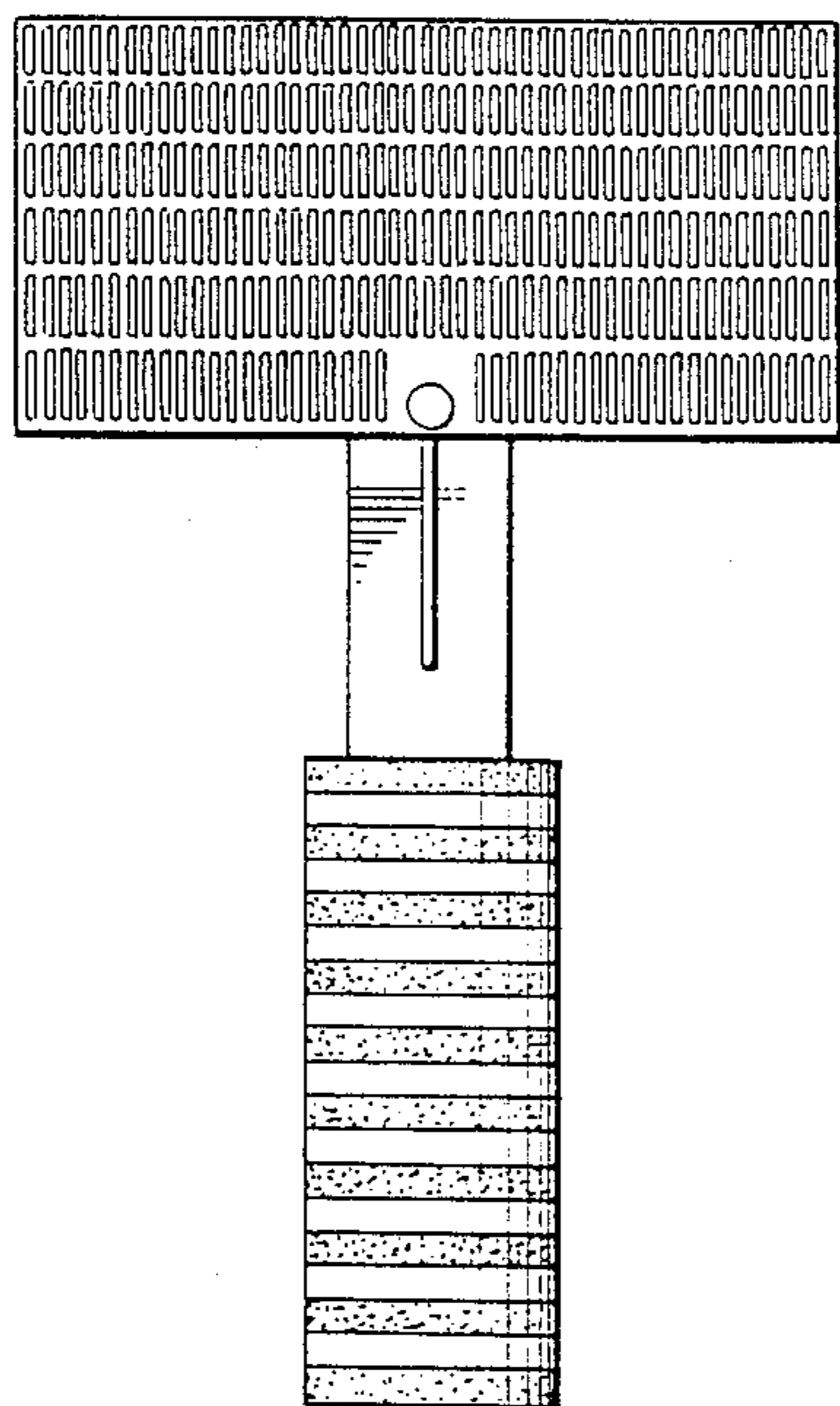
[57] CLAIM

The ornamental design for a table lamp, as shown and described.

DESCRIPTION

FIG. 1 is a side elevational view of a table lamp showing my new design, the opposite side being a mirror image; FIG. 2 is a side elevational view thereof with the diffuser in an alternate position; FIG. 3 is a front elevational view thereof with the diffuser in the position shown in FIG. 1, the rear being a mirror image; FIG. 4 is a top plan view thereof; FIG. 5 is a bottom plan view thereof; FIG. 6 is a side perspective view thereof on a slightly reduced scale, the diffuser being in the position shown in FIG. 2.

The slots shown in the diffusers are partially shown in FIGS. 2, 5, and 6 for convenience of illustration.



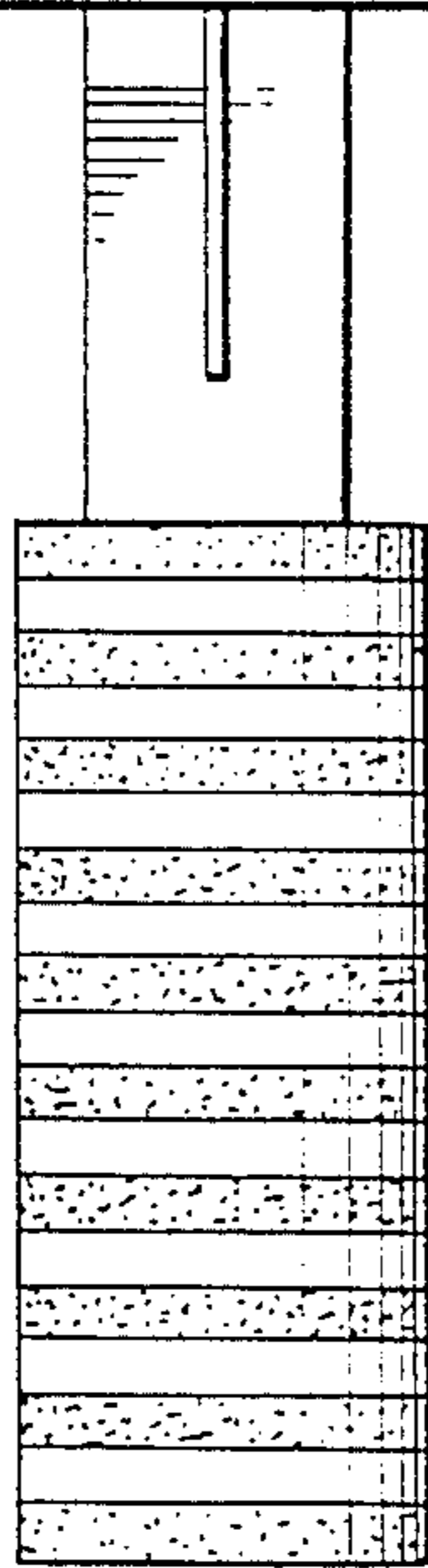
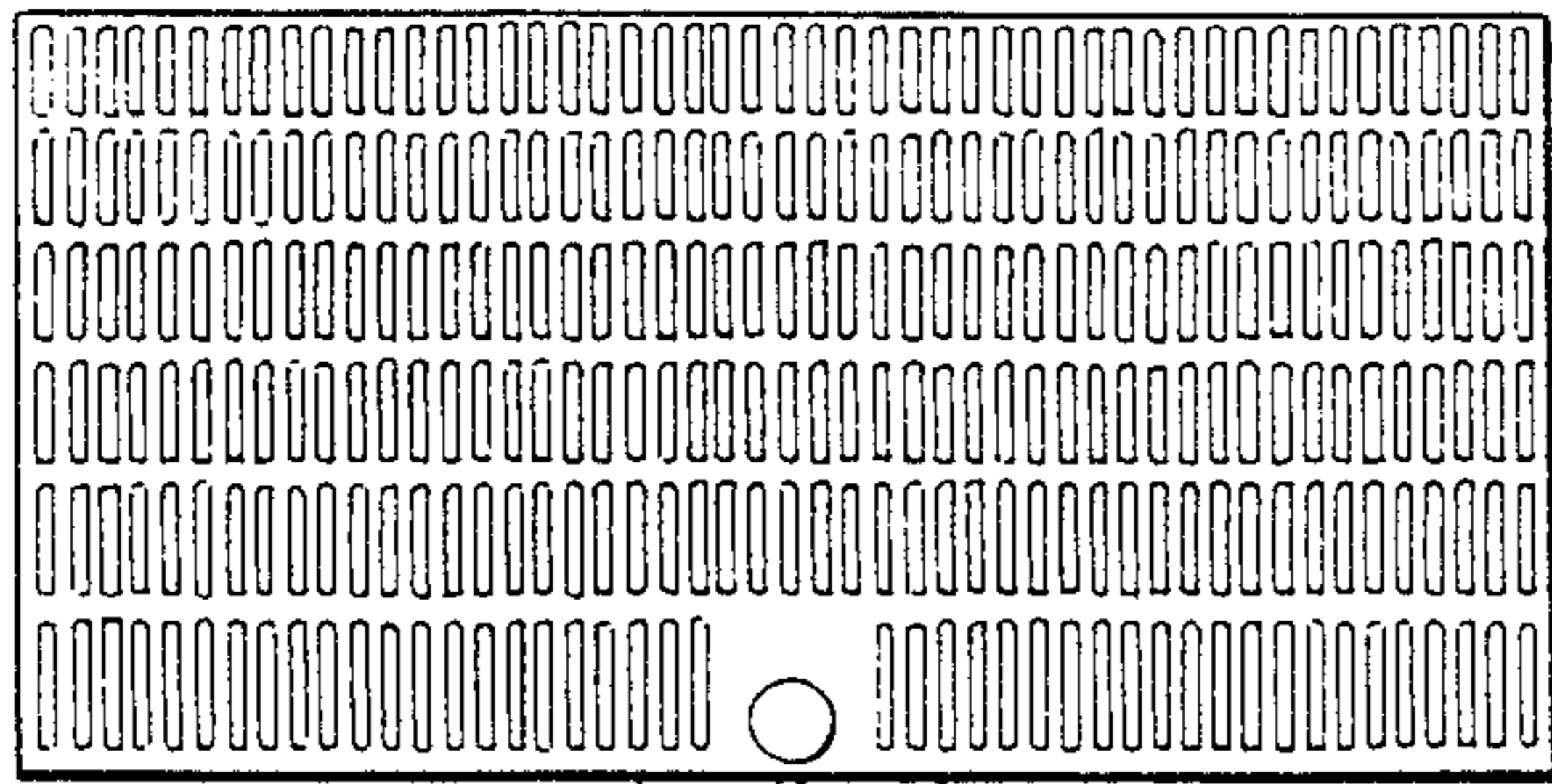


Fig. 1

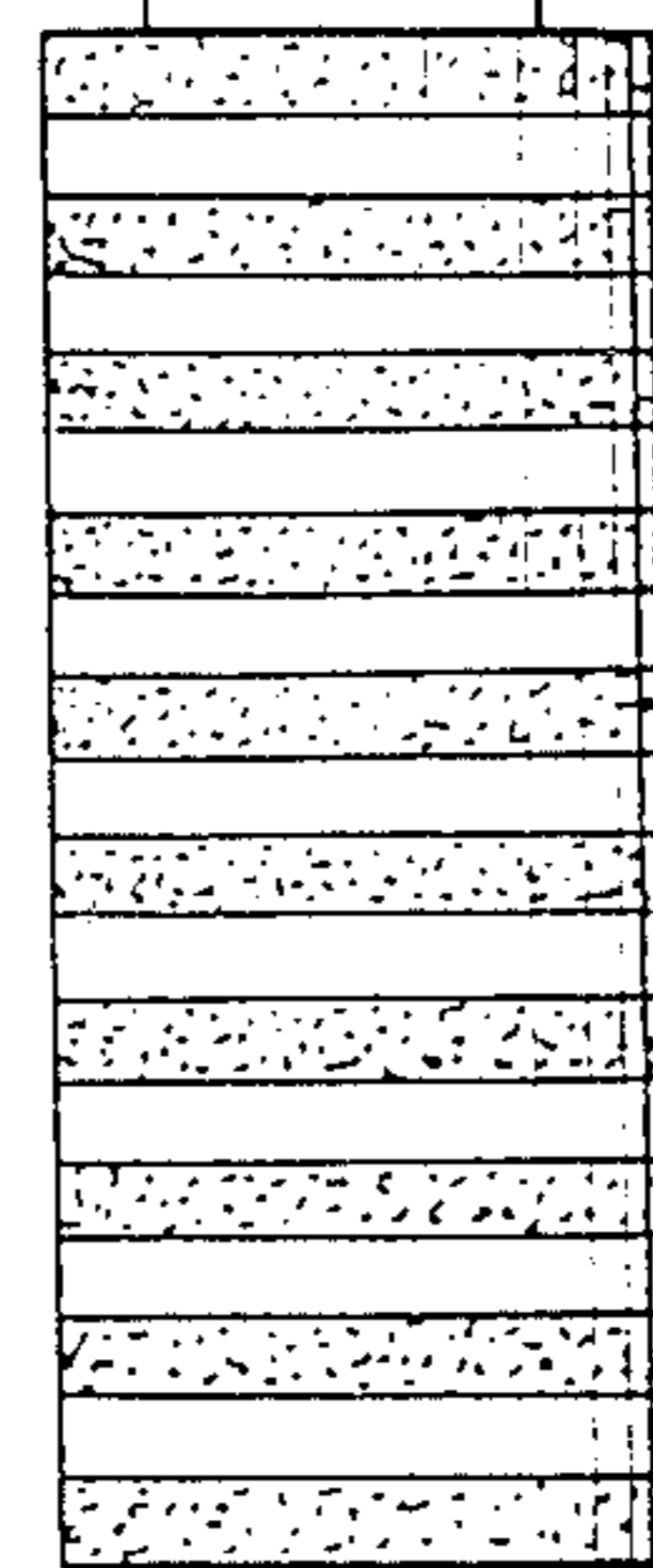
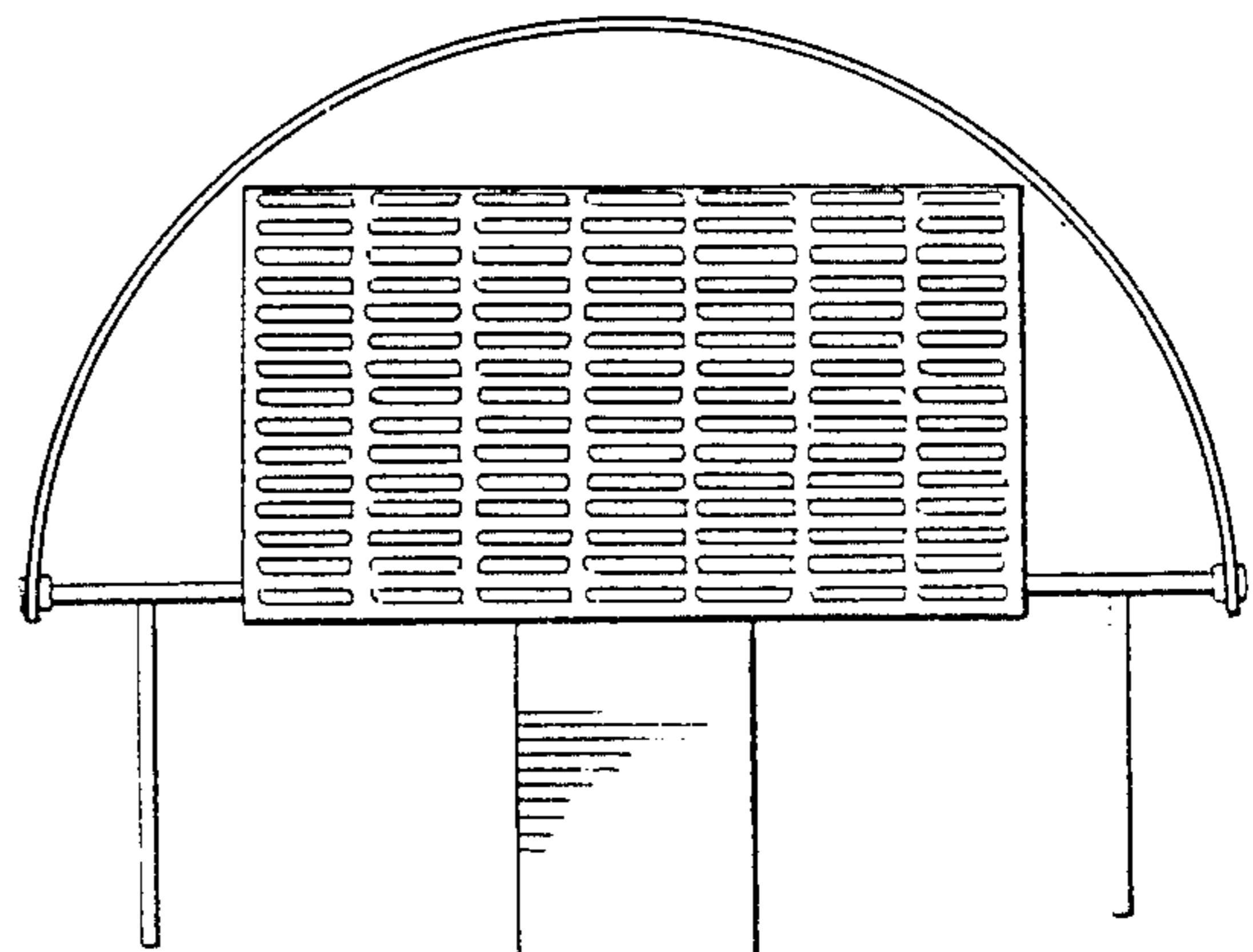


Fig. 3

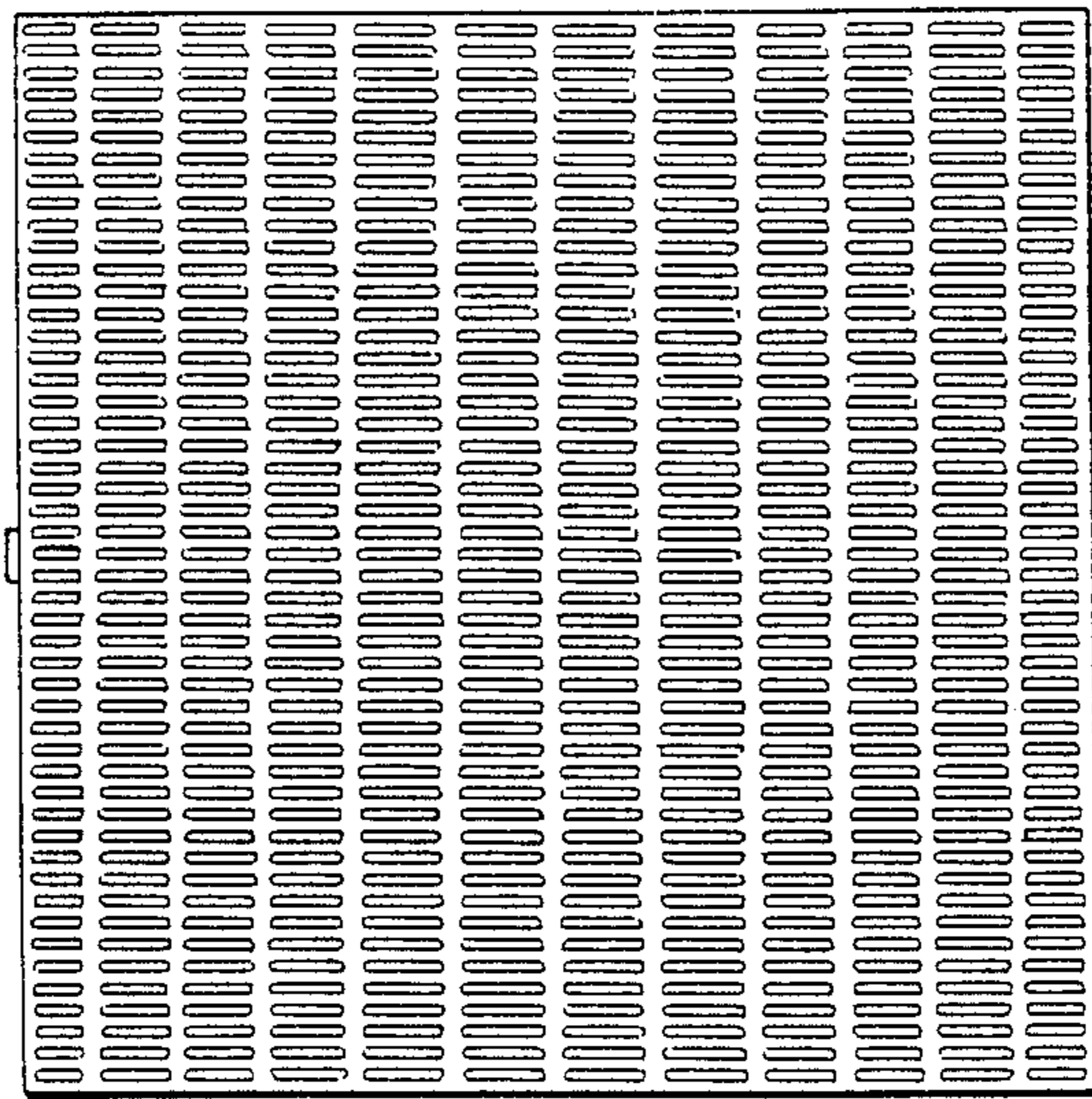


FIG. 4

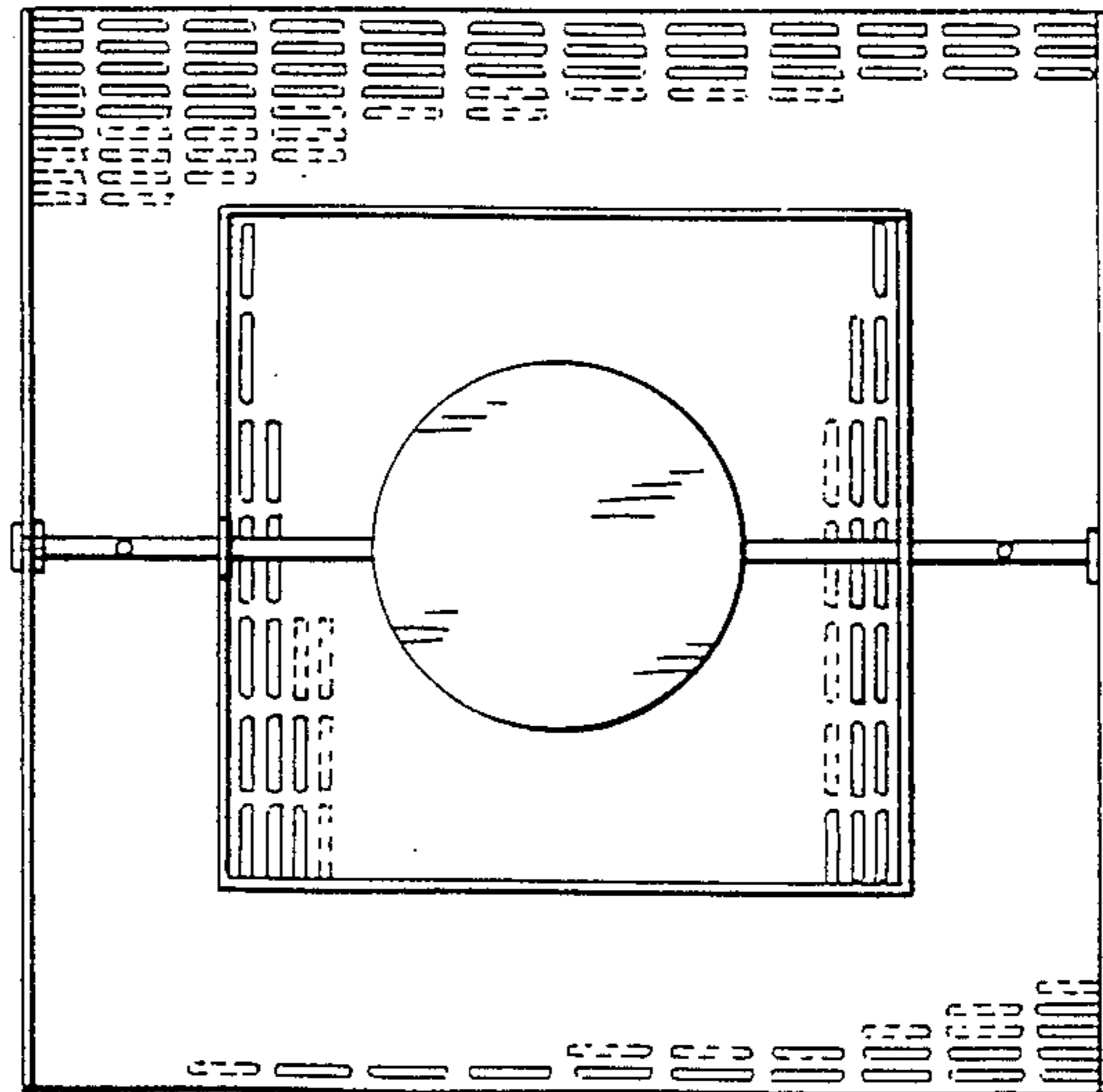


FIG. 5

Fig. 6

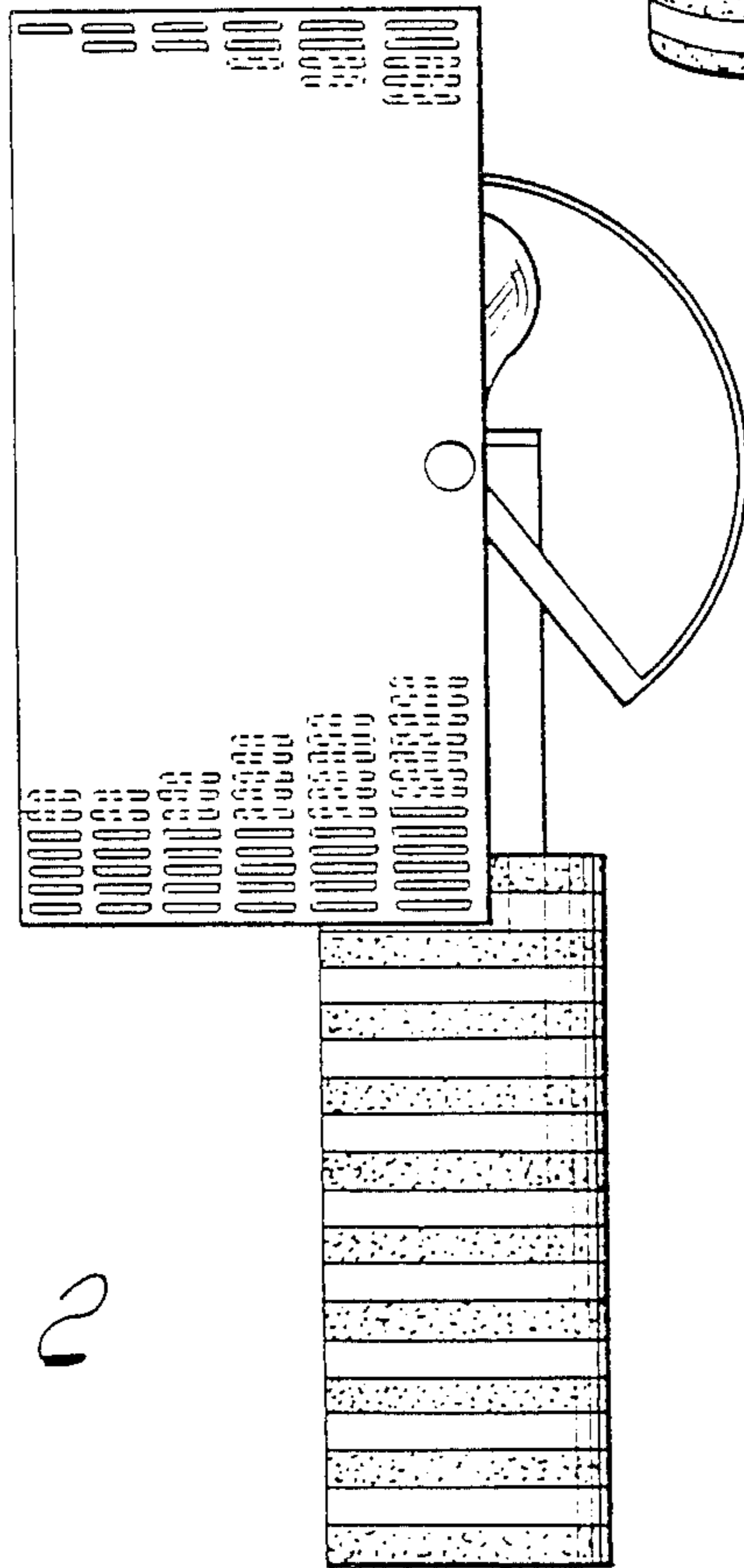
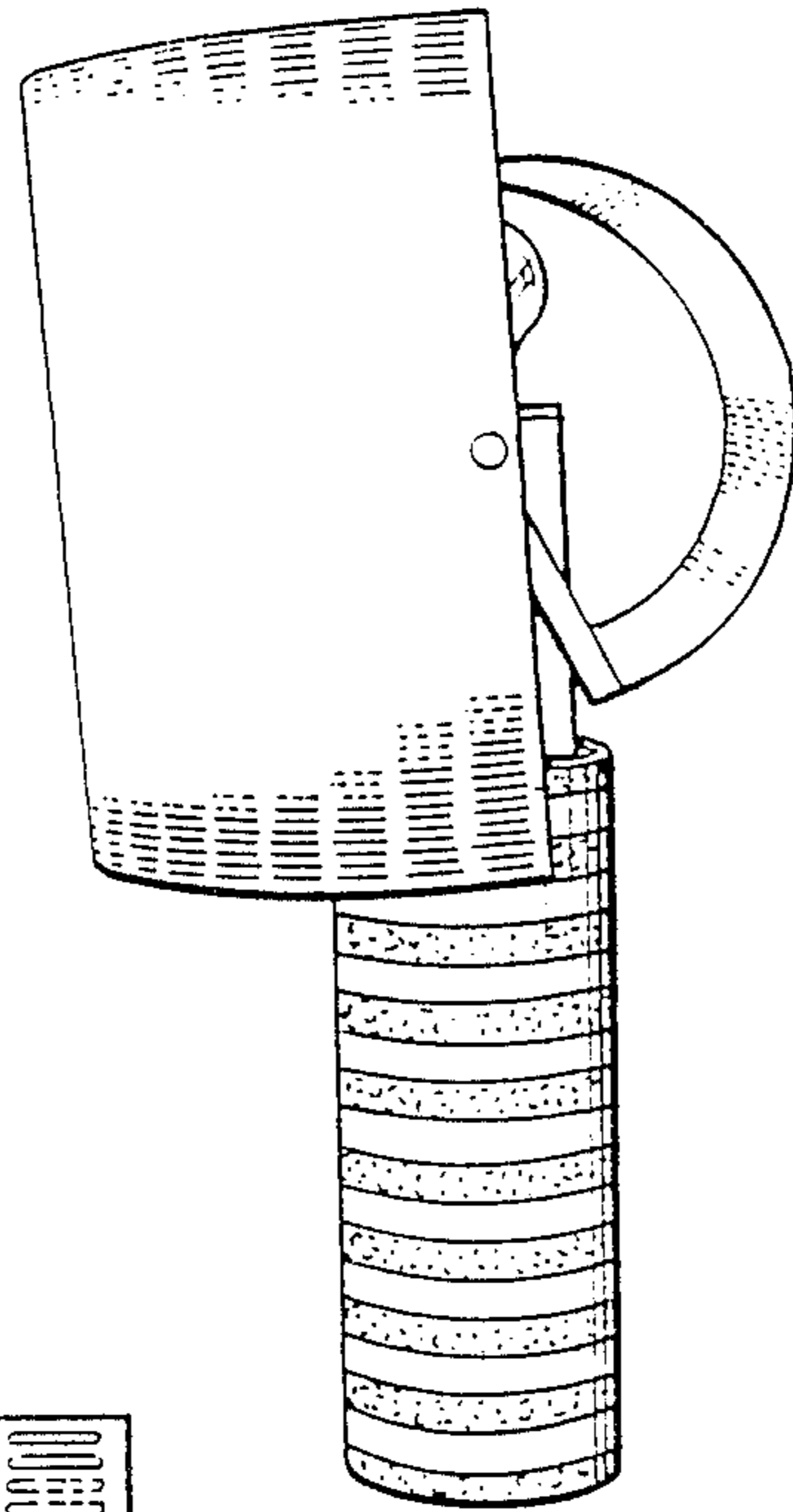


Fig. 2