

[54] LAMP

[75] Inventors: Scott Roos, Skokie; Tobias Brown, Oak Park, both of Ill.

[73] Assignee: Alkco Manufacturing Company

[**] Term: 14 Years

[21] Appl. No.: 765,595

[22] Filed: Aug. 14, 1985

[52] U.S. Cl. D26/75; D26/87; D26/104; D26/109

[58] Field of Search D26/72, 75-79, D26/80-93, 108, 104, 109; 362/217, 219, 220, 223, 222, 410, 411, 413, 414

[56] References Cited

U.S. PATENT DOCUMENTS

2,145,787	1/1939	Reamer	362/217	X
2,183,647	12/1939	Holden	362/217	
3,996,493	12/1976	Davenport et al.	D26/78	X
4,434,385	2/1984	Touho et al.	362/217	X

FOREIGN PATENT DOCUMENTS

991830	6/1951	France	362/217	
968550	3/1958	Fed. Rep. of Germany	362/219	
3222003	12/1983	Fed. Rep. of Germany	362/220	
614284	12/1948	United Kingdom	362/217	

OTHER PUBLICATIONS

Aamsco Alinea® Lighting brochure, Tubular Light. Keystone Elec. Mfg. Co. Interior Lighting Bulletin, Fluorescent Fixture.

Primary Examiner—Susan J. Lucas
Attorney, Agent, or Firm—Pasquale A. Razzano

[57] CLAIM

The ornamental design for a lamp, as shown and described.

DESCRIPTION

FIG. 1 is a perspective view of the lamp showing our new design;
FIG. 2 is a bottom plan view thereof on an enlarged scale;
FIG. 3 is a top plan view thereof on an enlarged scale;
FIG. 4 is a perspective view of a second embodiment of our new design;
FIG. 5 is a perspective view of a third embodiment of our new design;
FIG. 6 is a bottom plan view of the third embodiment;
FIG. 7 is a top plan view of the third embodiment;
FIG. 8 is a perspective view of the first embodiment taken from the side and end opposite those shown in FIG. 1.

The opposite side and end of the second embodiment are identical to those of the first embodiment as shown in FIG. 8. The opposite end of the third embodiment is identical to that of the first embodiment as shown in FIG. 8.

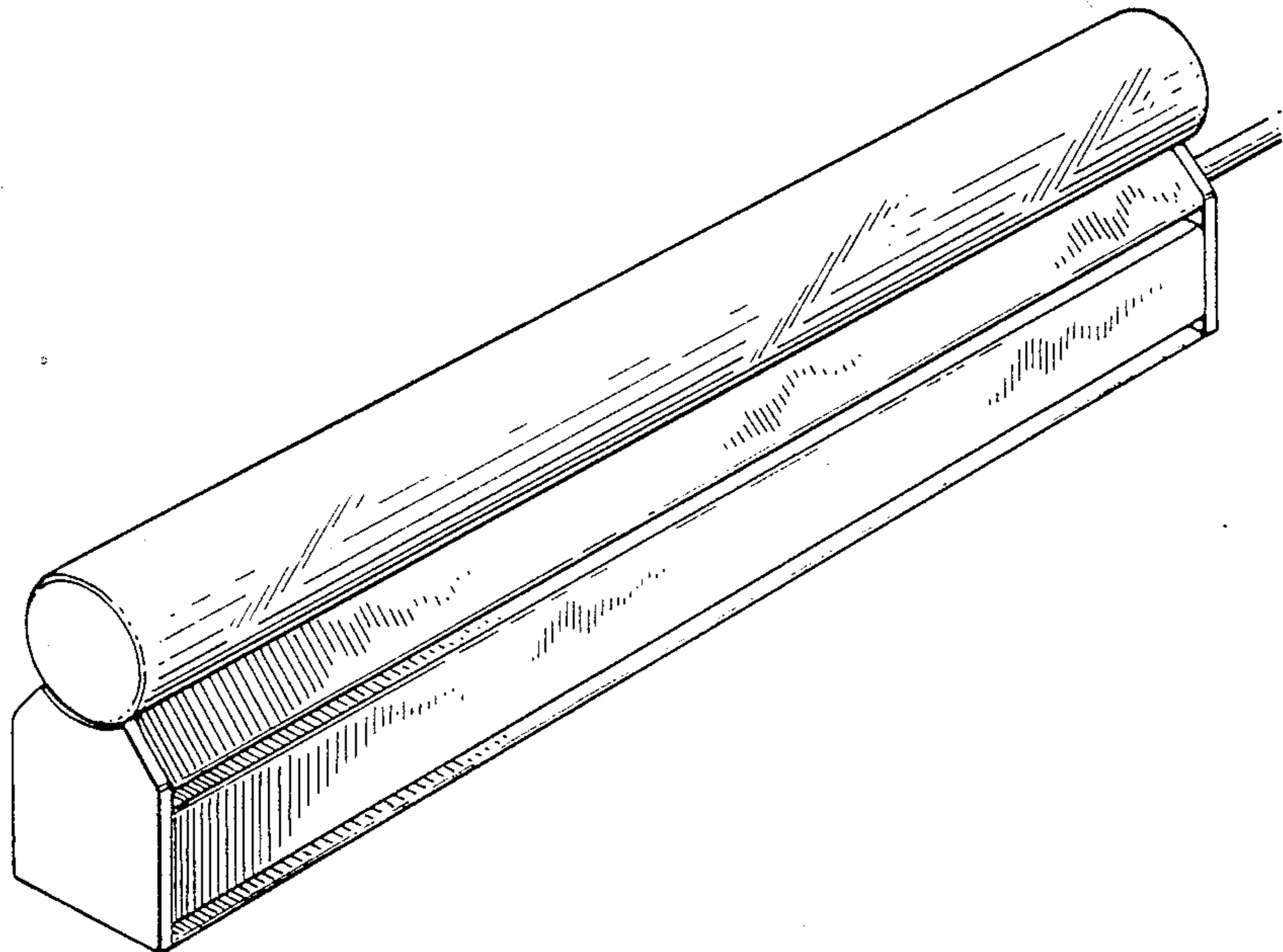


FIG. 1.

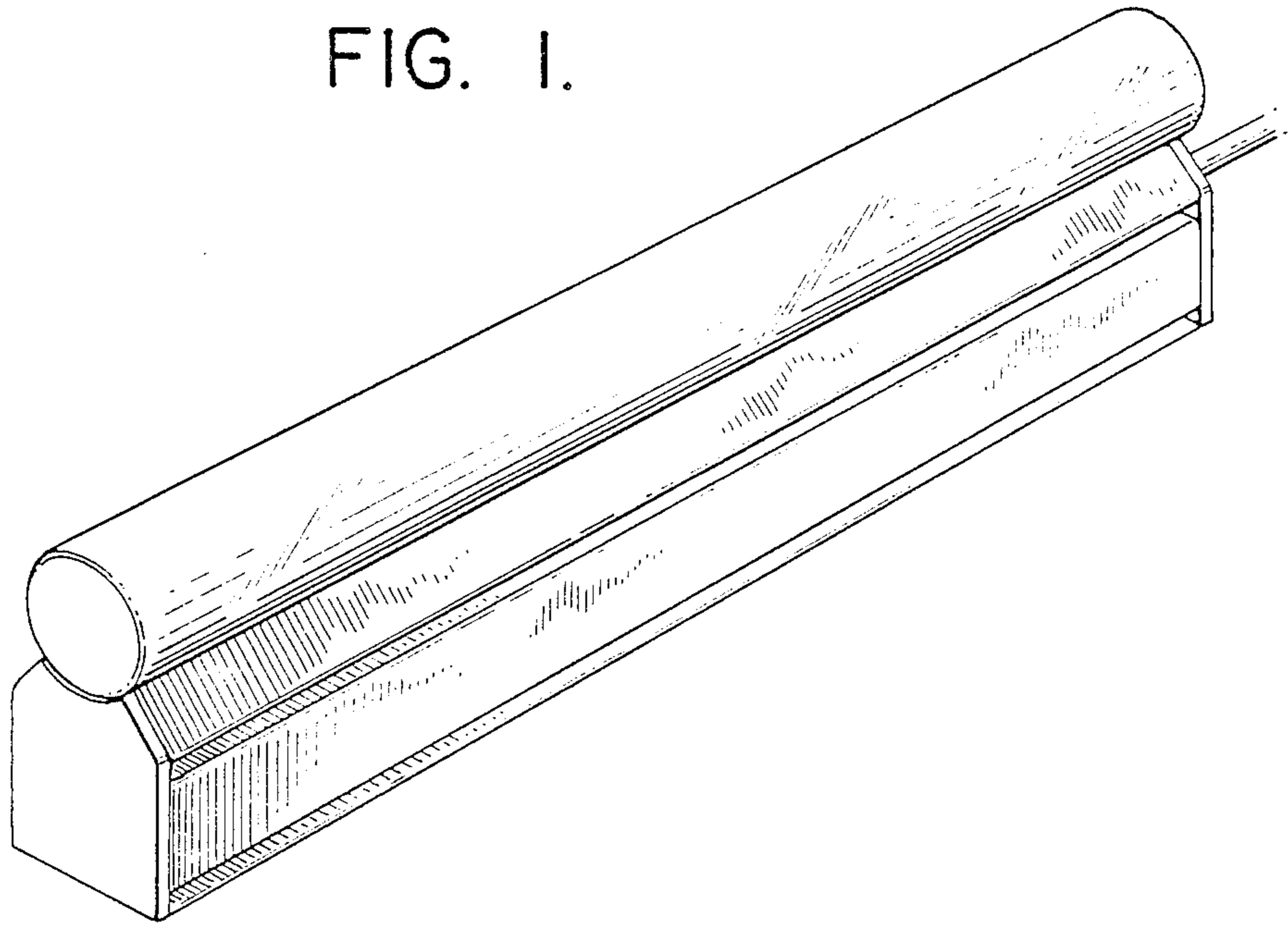


FIG. 2.

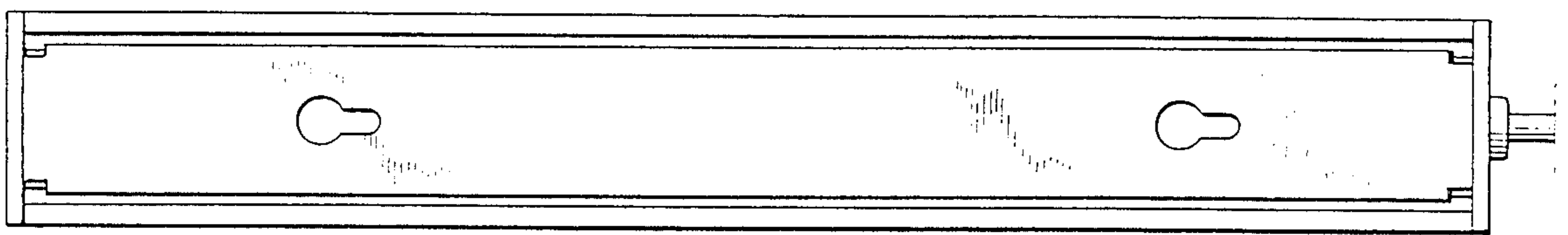


FIG. 3.

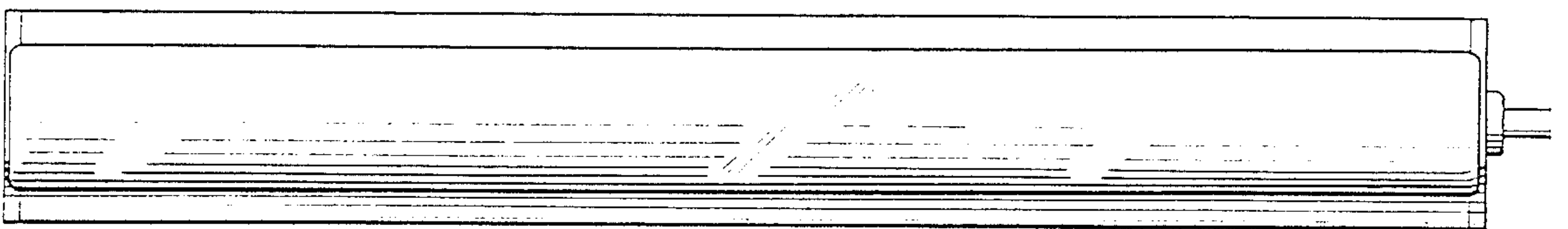


FIG. 4.

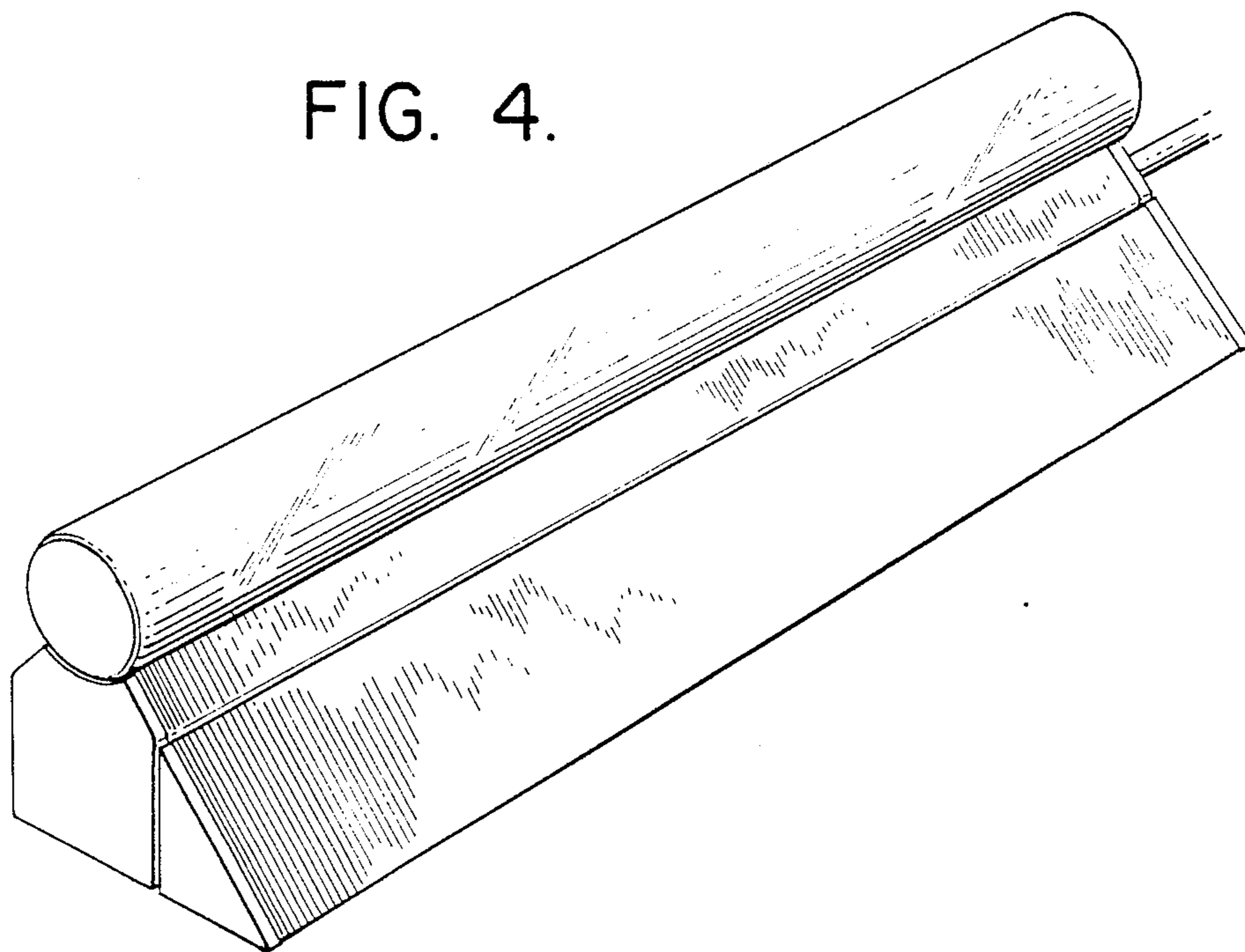


FIG. 5.

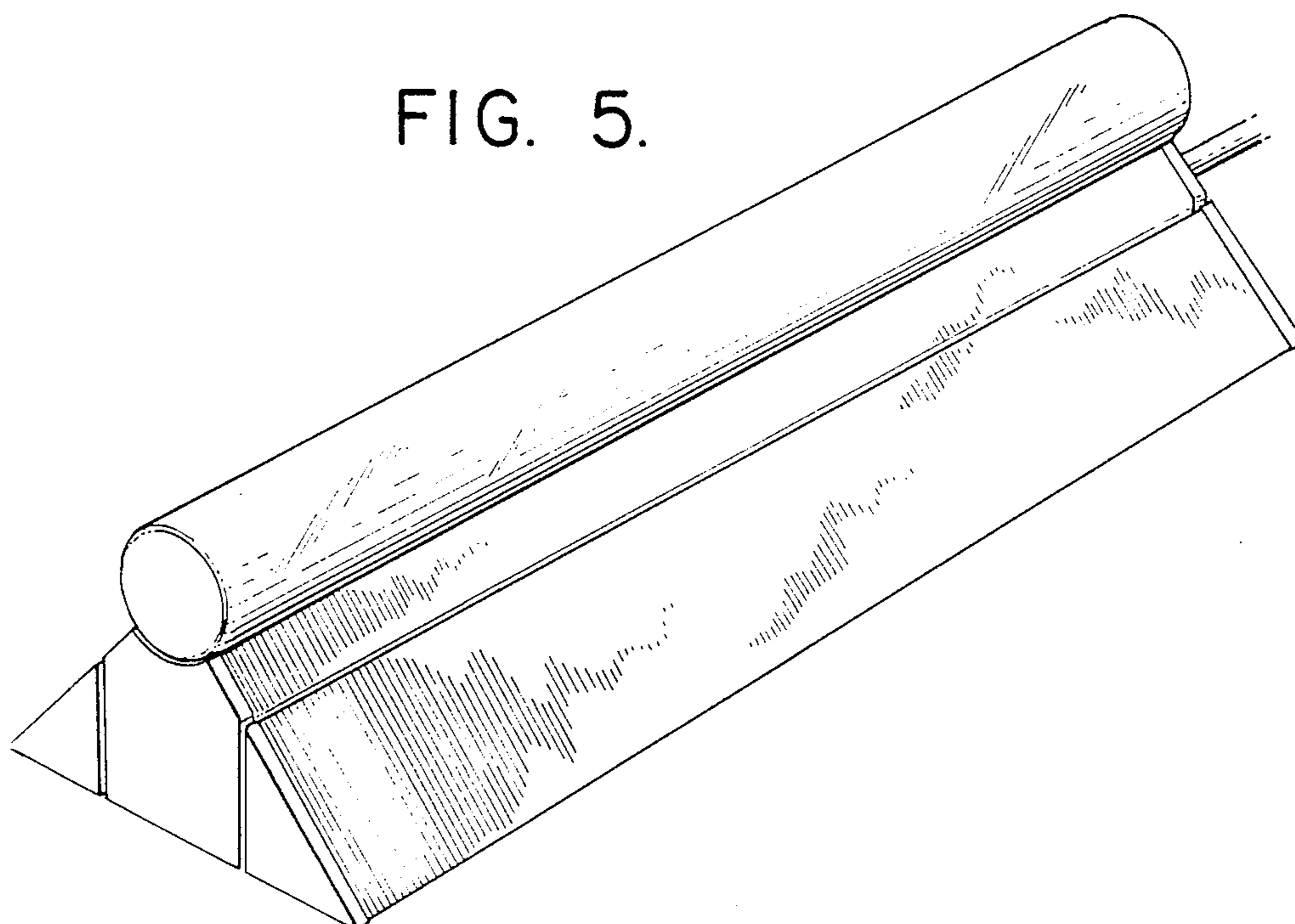


FIG. 6.

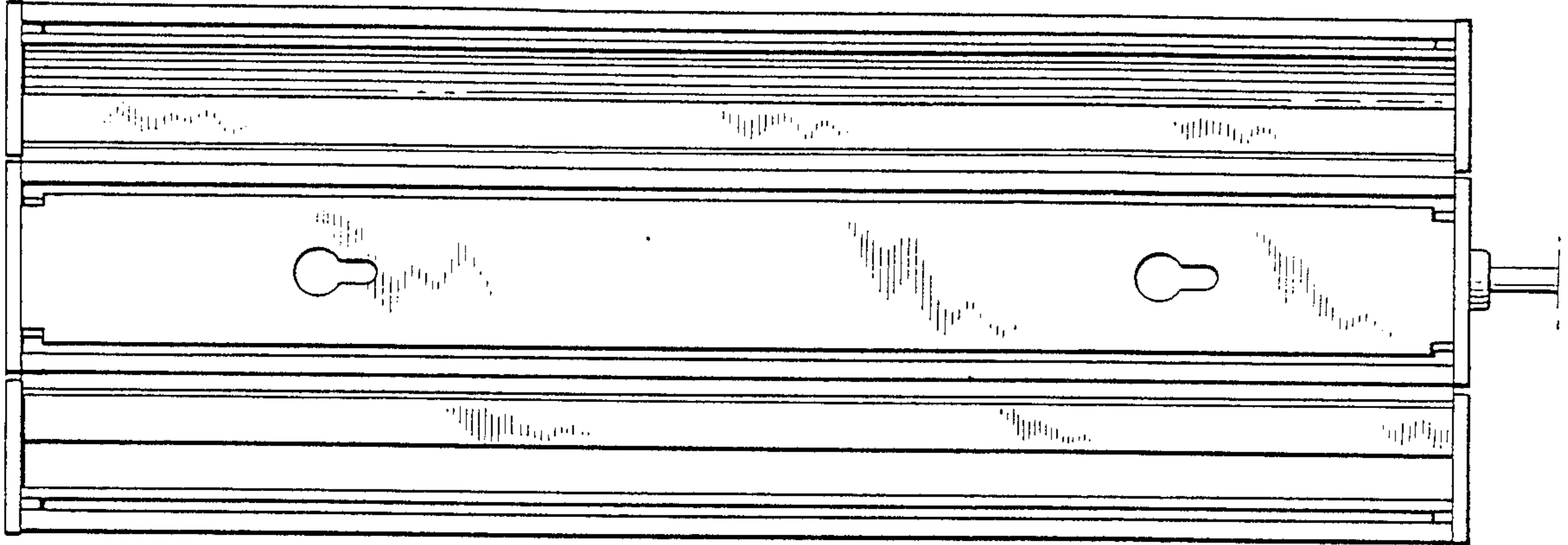


FIG. 7.

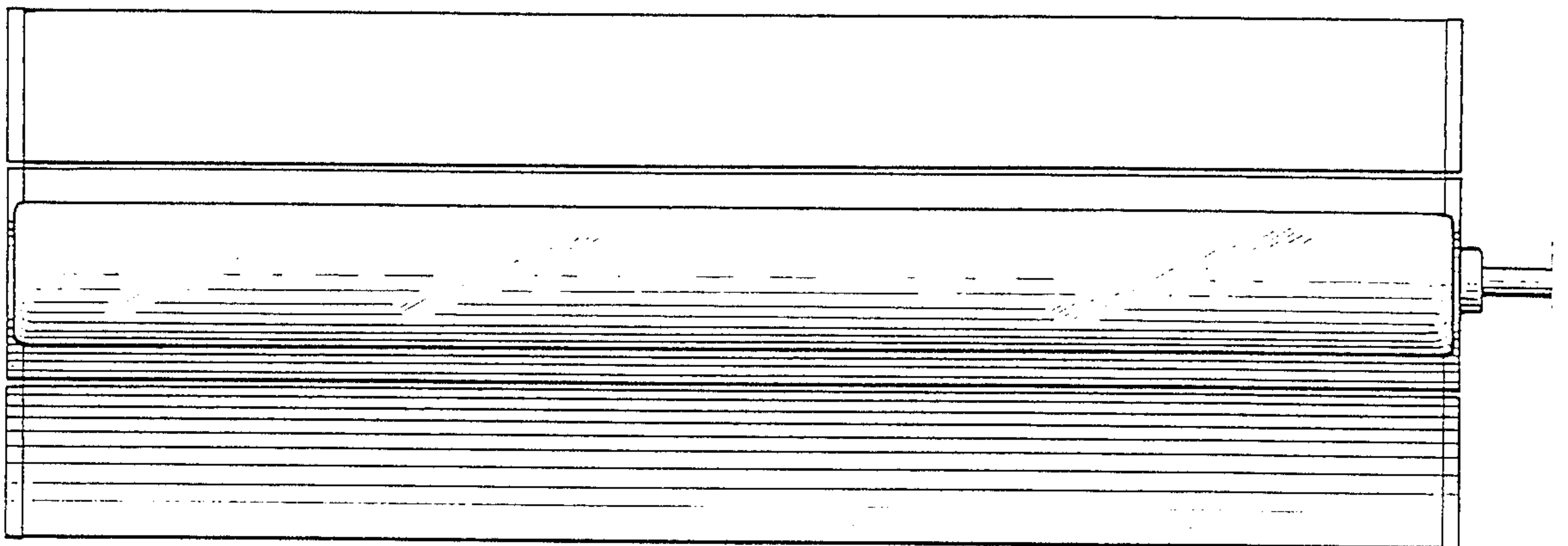


FIG. 8

