

[54] ADJUSTABLE LAMP

[76] Inventor: **Henricus-Josephus Ansems**,
Spoorwegstraat 14, 6828 AS
Arnhem, Netherlands

[**] Term: **14 Years**

[21] Appl. No.: **691,155**

[22] Filed: **Jan. 14, 1985**

[30] **Foreign Application Priority Data**

Jul. 16, 1984 [WO] World Int. Prop.
O. DMA/000291

[52] U.S. Cl. **D26/65; D26/66**

[58] Field of Search **D26/60-66;**
362/410, 411, 413, 414, 418, 427, 269, 275

[56] **References Cited**

U.S. PATENT DOCUMENTS

D. 178,415 7/1956 Mugnai D26/64 X
D. 251,870 5/1979 Ekuan D26/66

OTHER PUBLICATIONS

Home Lighting & Accessories, 10-1983, p. 19, Roxter
Floor Lamp #8610.
Lamp Journal, 8-1964, p. 23, Prestige Line Desk Lamp.
Prescolite Lighting Catalog #6-12, 6-1-1961, p. 46,
Lamp #BT-61-2.
Stonco Line Price Guide, 9-1977, p. 69, Track Light
#TLF-1.

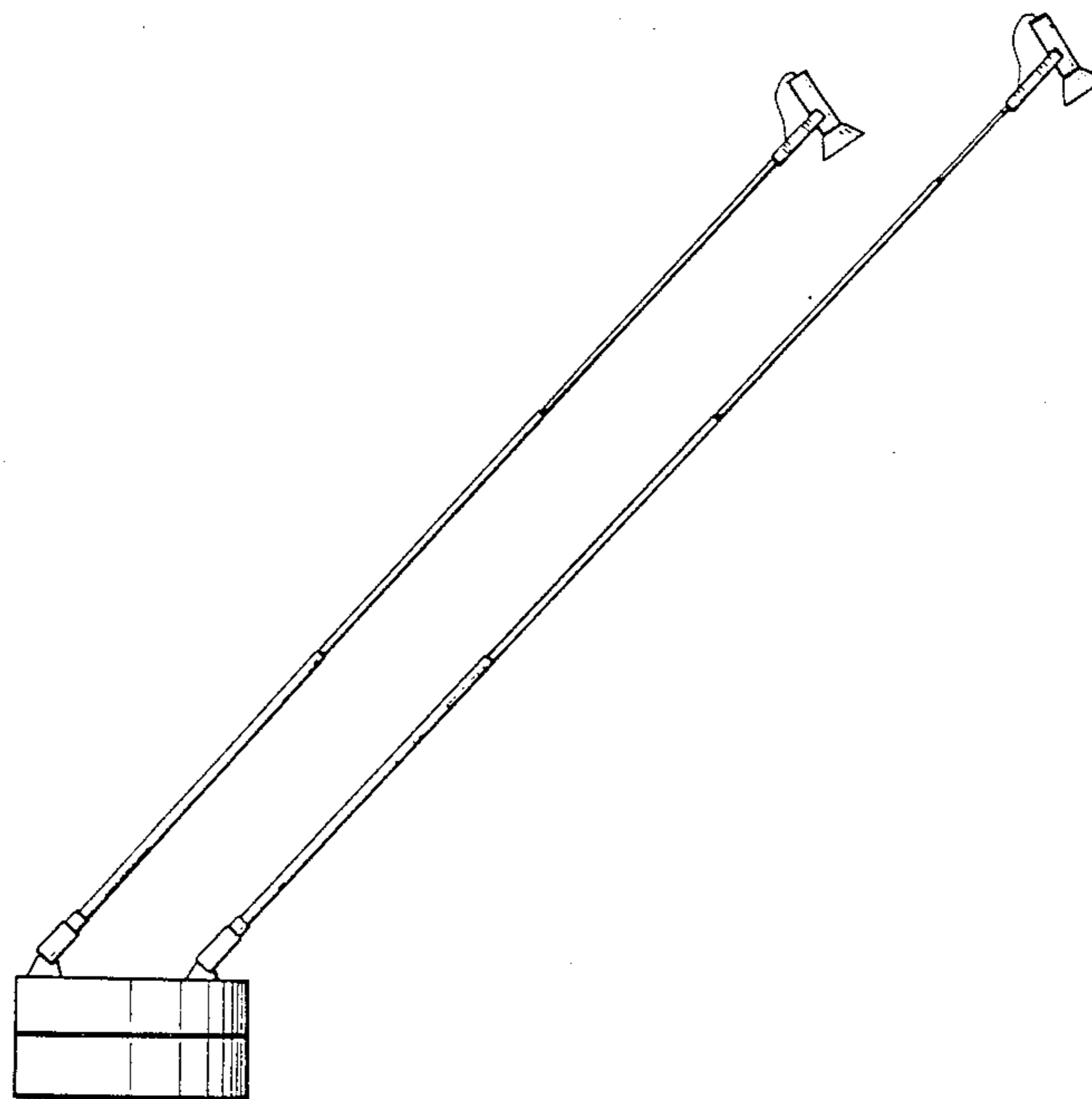
Primary Examiner—Susan J. Lucas

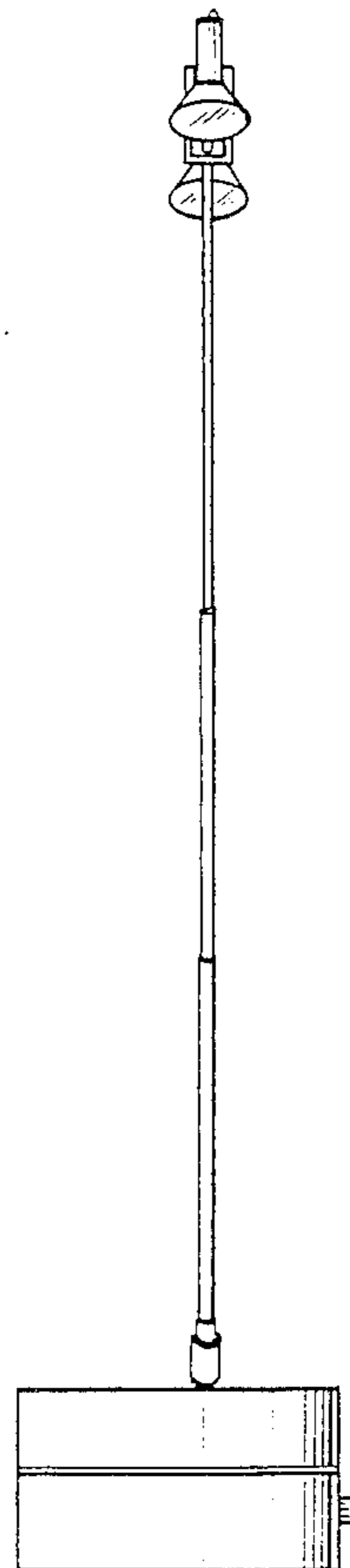
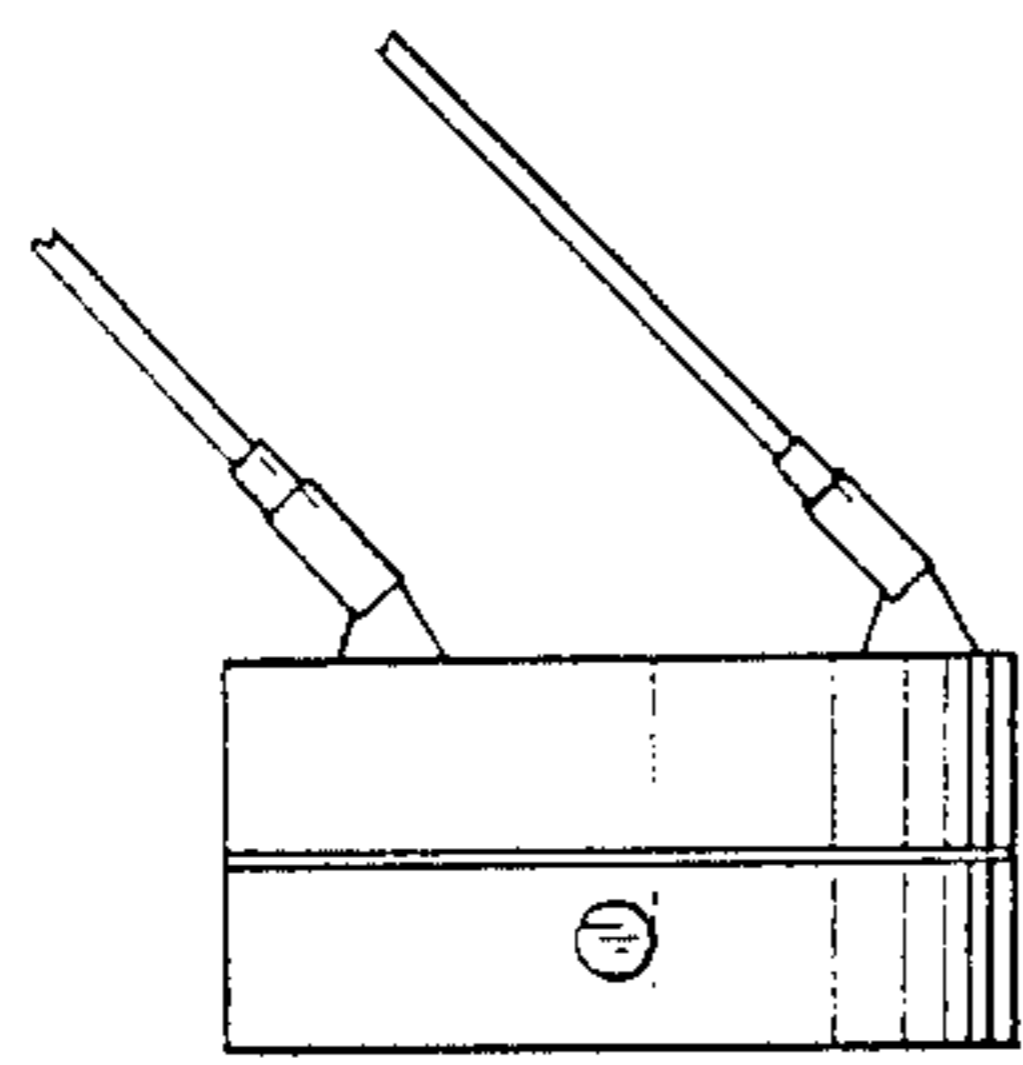
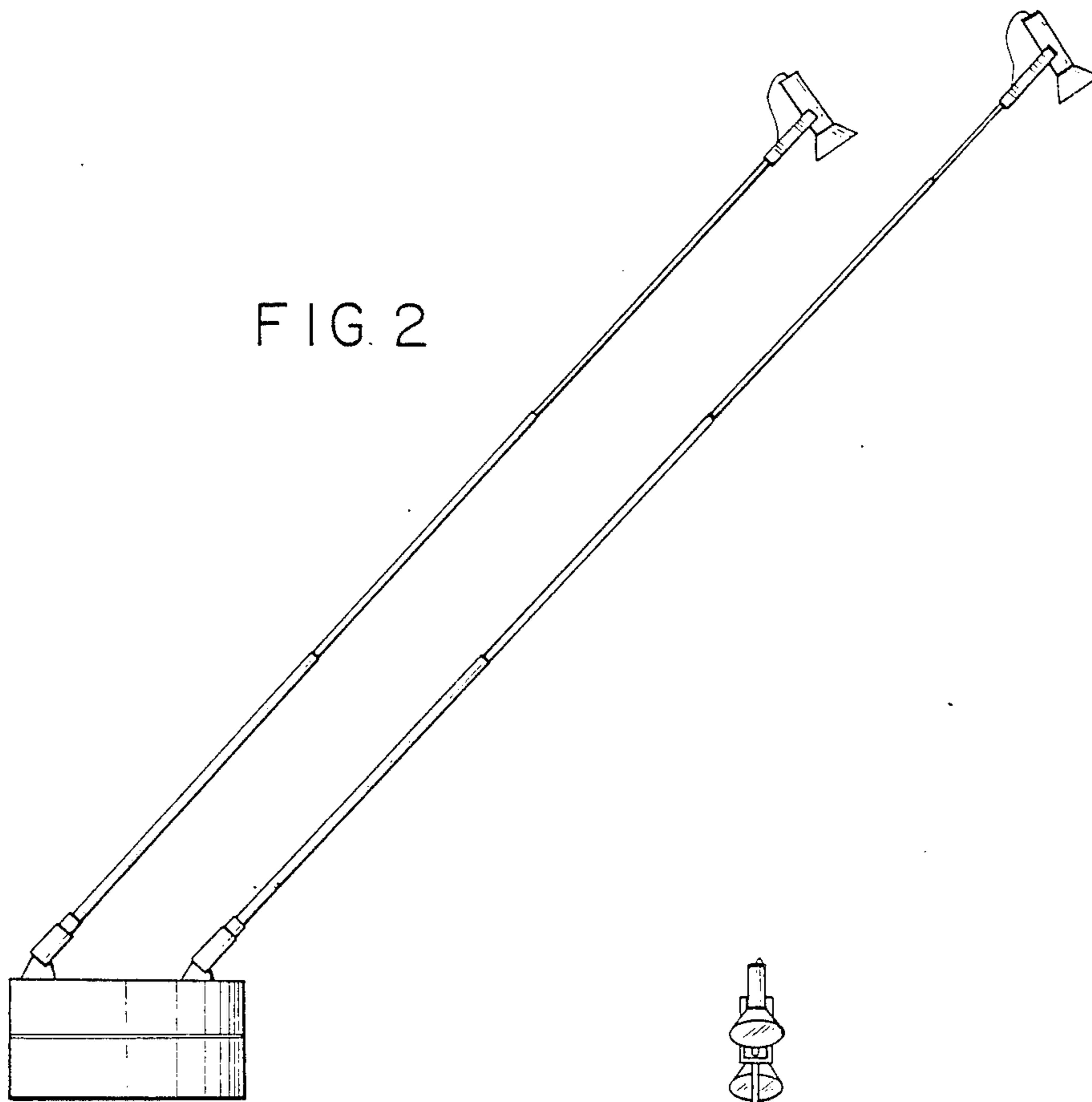
[57] **CLAIM**

The ornamental design for a adjustable lamp, or similar
article substantially as shown and described.

DESCRIPTION

FIG. 1 is a front elevational view of an adjustable lamp
showing my new design;
FIG. 2 is a side elevational view thereof;
FIG. 3 is a fragmentary opposite side elevational view
thereof; the gelescoping supports and reflectors omitted
for convenience of illustration;
FIG. 4 is a rear elevational view thereof;
FIG. 5 is a top plan view thereof;
FIG. 6 is a bottom plan view thereof.





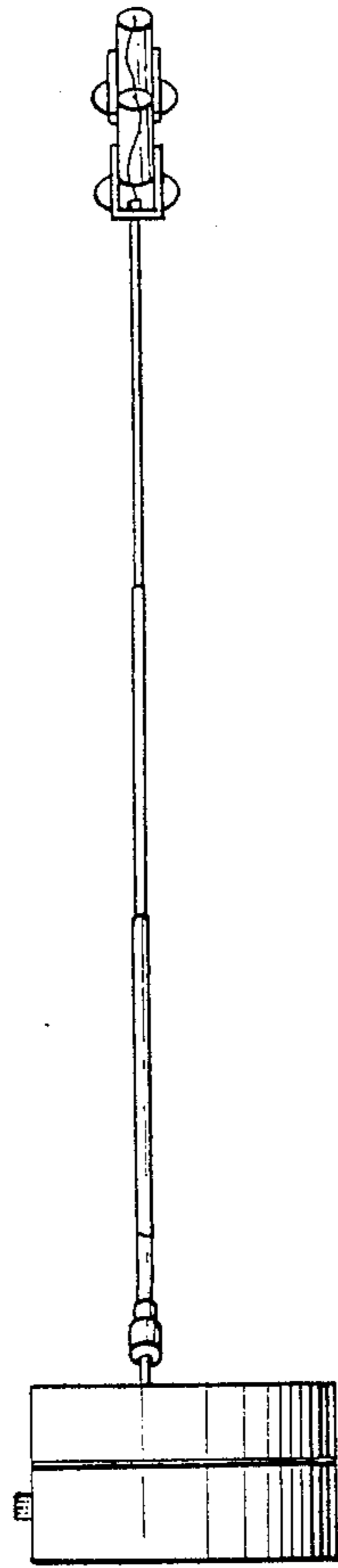


FIG. 4

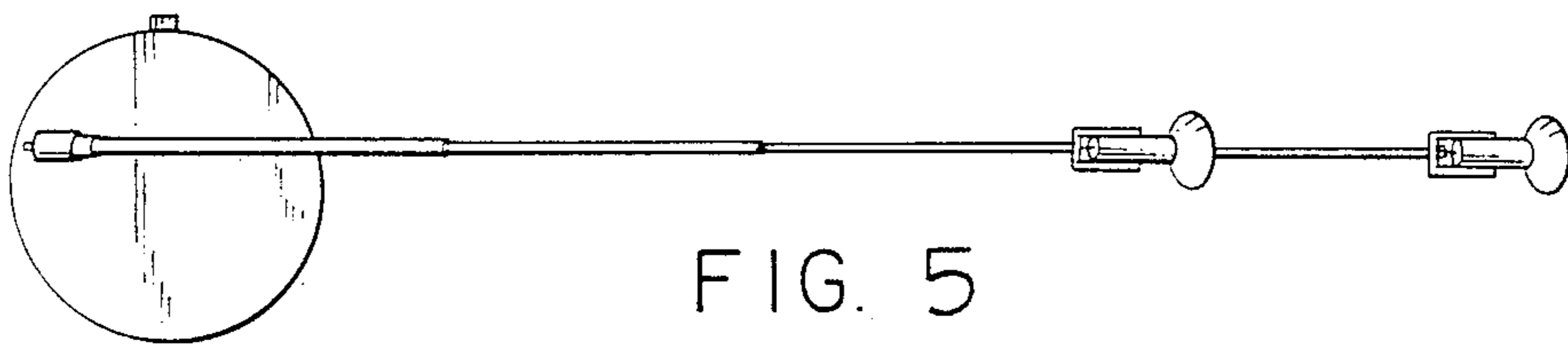


FIG. 5

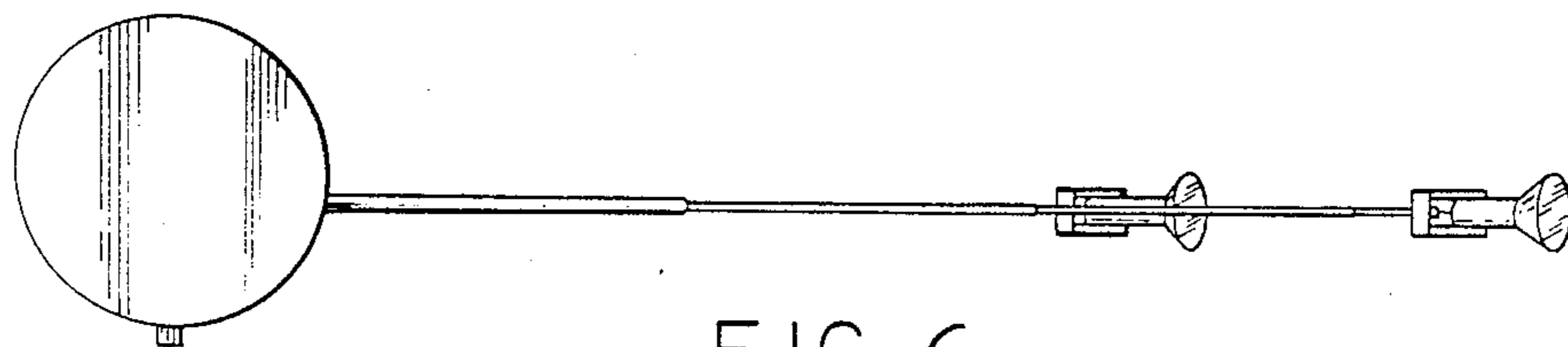


FIG. 6