

[54] ADJUSTABLE FLOODLIGHT

[75] Inventor: Douglas L. Dahlgren, Holdrege, Nebr.

[73] Assignee: Allmand Bros. Inc., Holdrege, Nebr.

[**] Term: 14 Years

[21] Appl. No.: 778,045

[22] Filed: Sep. 20, 1985

[52] U.S. Cl. D26/63

[58] Field of Search D26/28-36;
362/61, 80, 82, 83, 362, 310, 359, 269; 340/81
R, 84, 87

D. 49,835 10/1916 Schade D26/28
D. 57,890 5/1921 Collier D26/28
3,270,192 8/1966 Watson 362/359 X

Primary Examiner—Susan J. Lucas
Attorney, Agent, or Firm—Henderson & Sturm

[57] CLAIM

The ornamental design for an adjustable floodlight, substantially as shown and described.

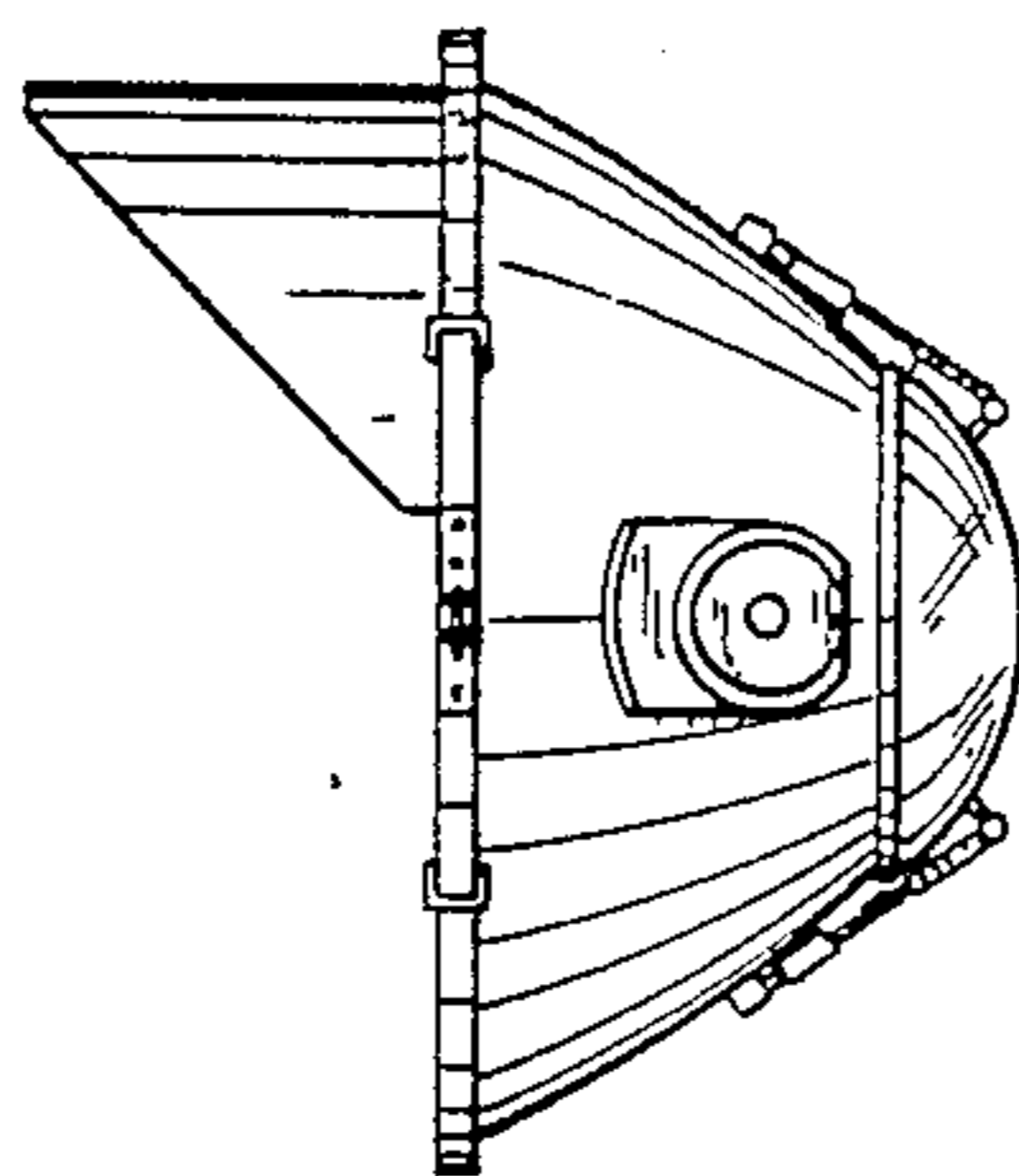
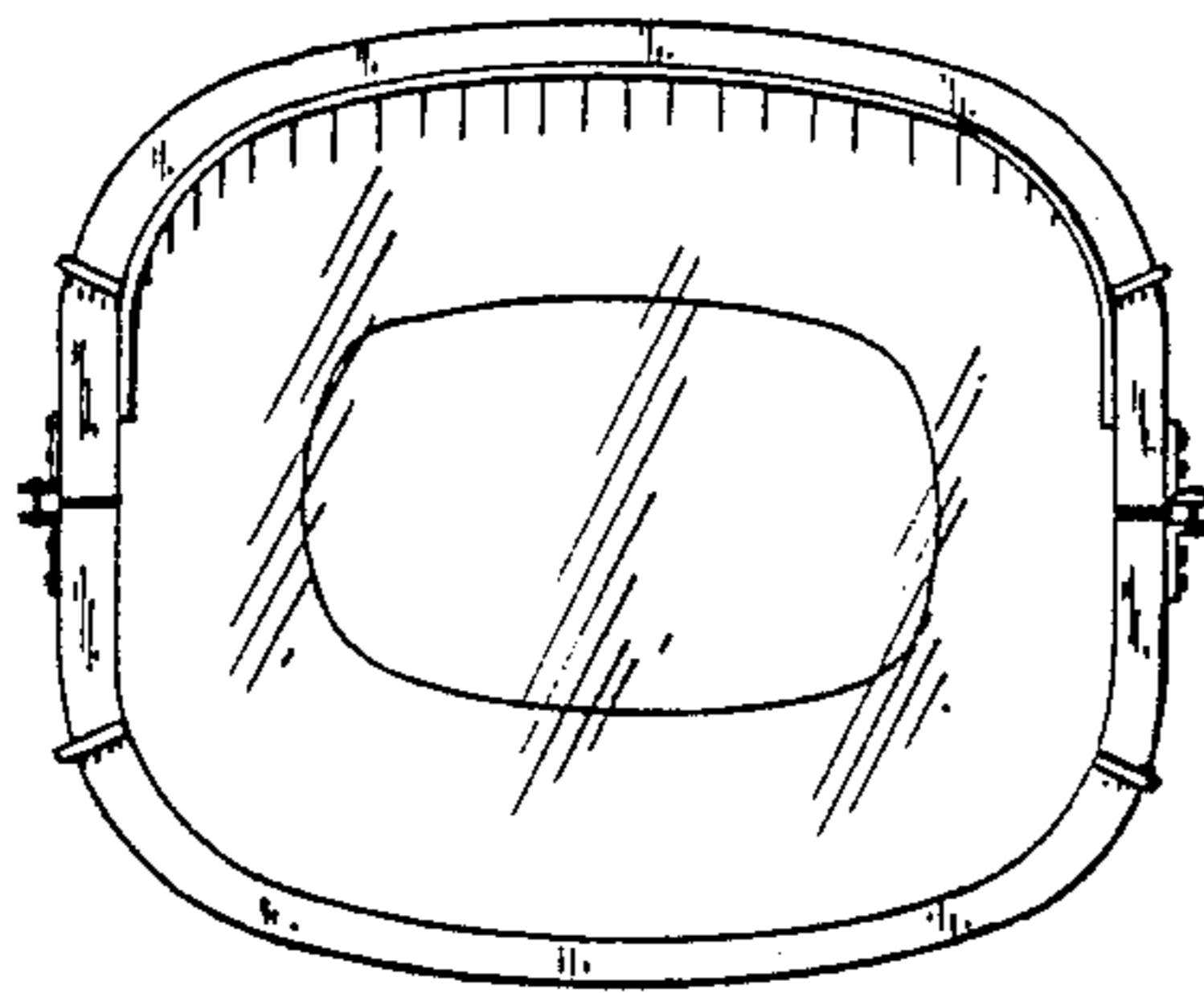
DESCRIPTION

FIG. 1 is a front elevational view of an adjustable floodlight showing my new design;
FIG. 2 is a top plan view thereof;
FIG. 3 is a side elevational view thereof as seen from the right of FIG. 1, the opposite side being a mirror image but for the broken line disclosure;
FIG. 4 is a rear elevational view thereof; and
FIG. 5 is a bottom plan view thereof.

[56] References Cited

U.S. PATENT DOCUMENTS

D. 45,039 12/1913 Anklam D26/36
D. 49,293 6/1916 Wood D26/28 X



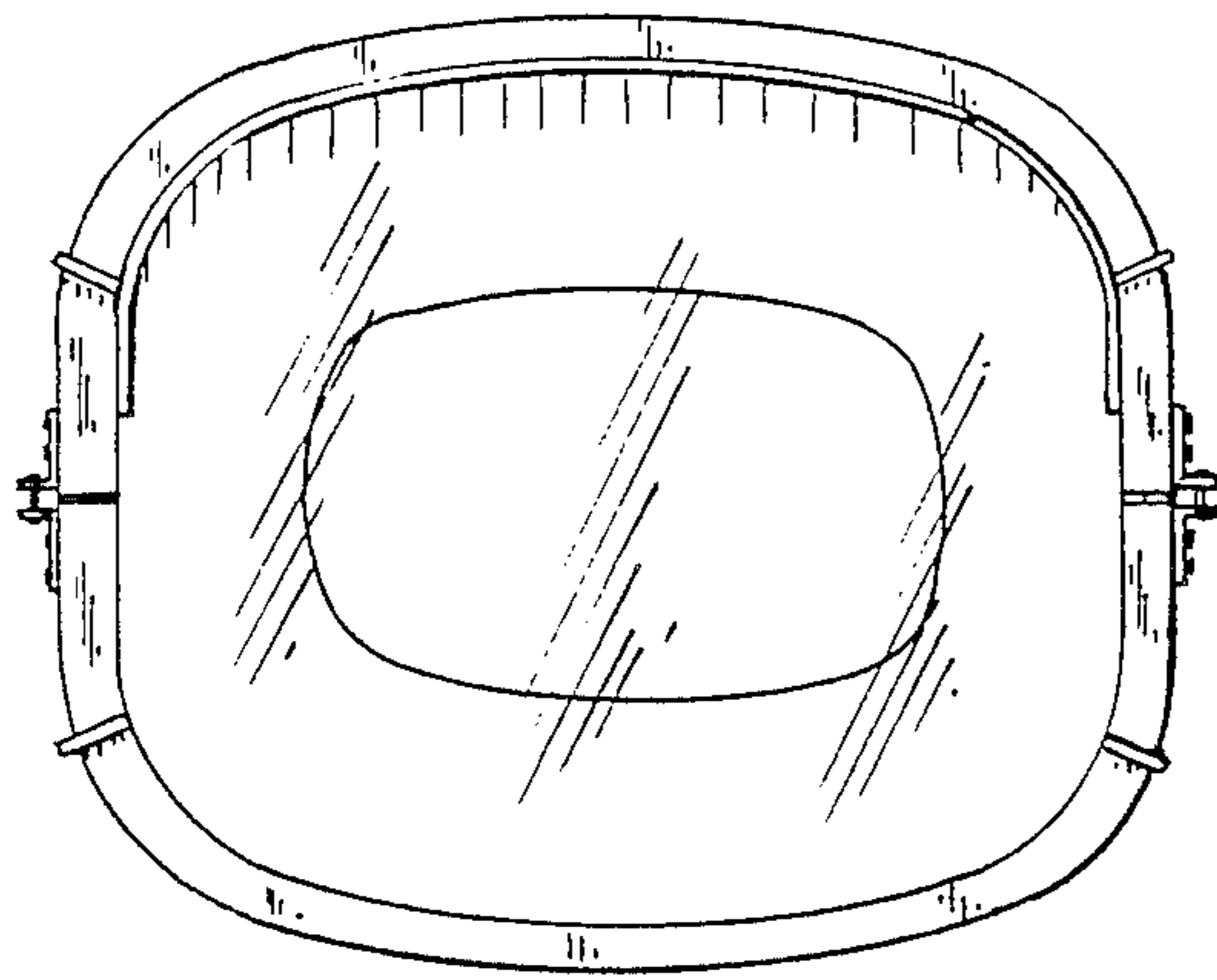


Fig. 1

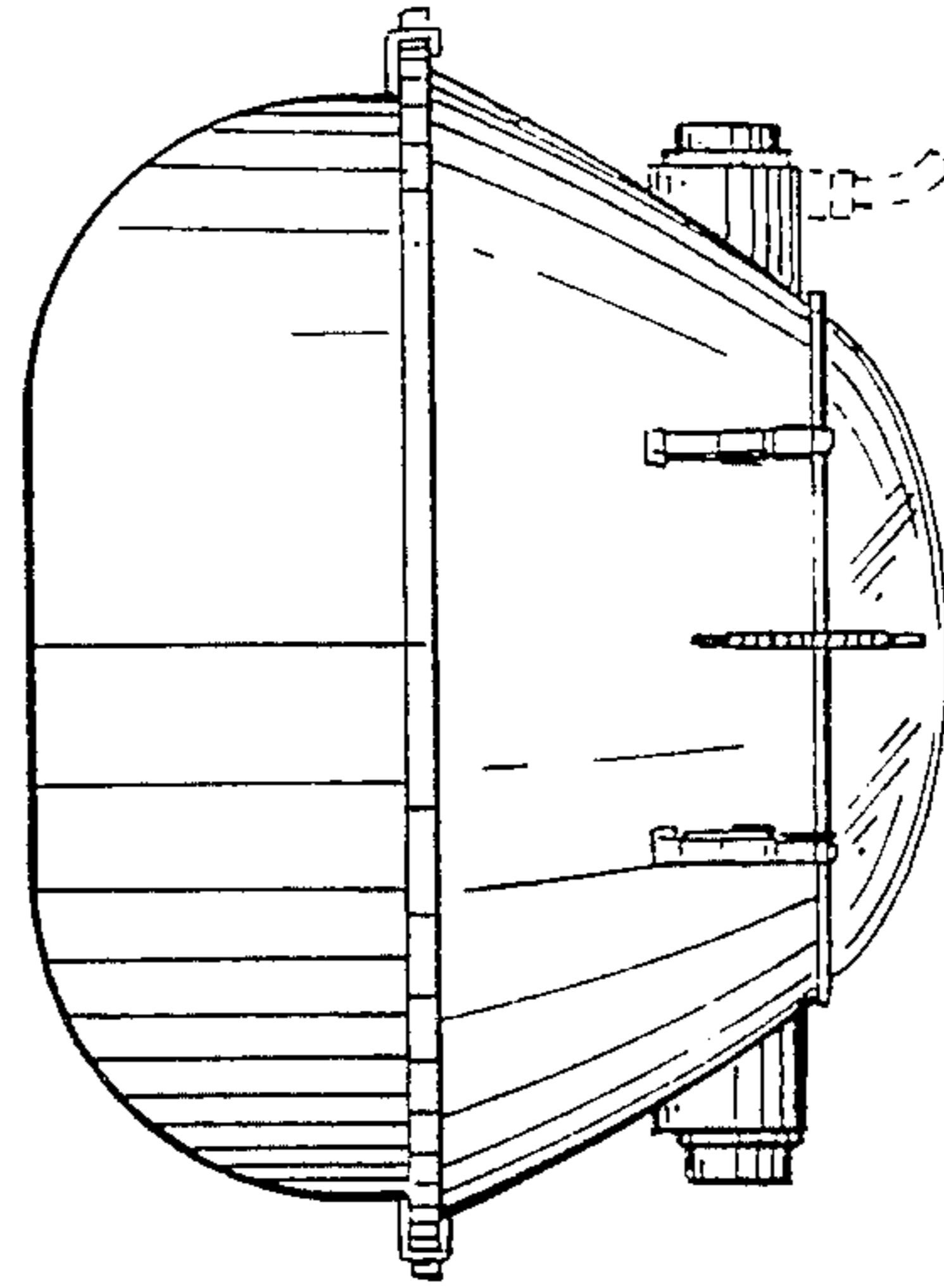


Fig. 2

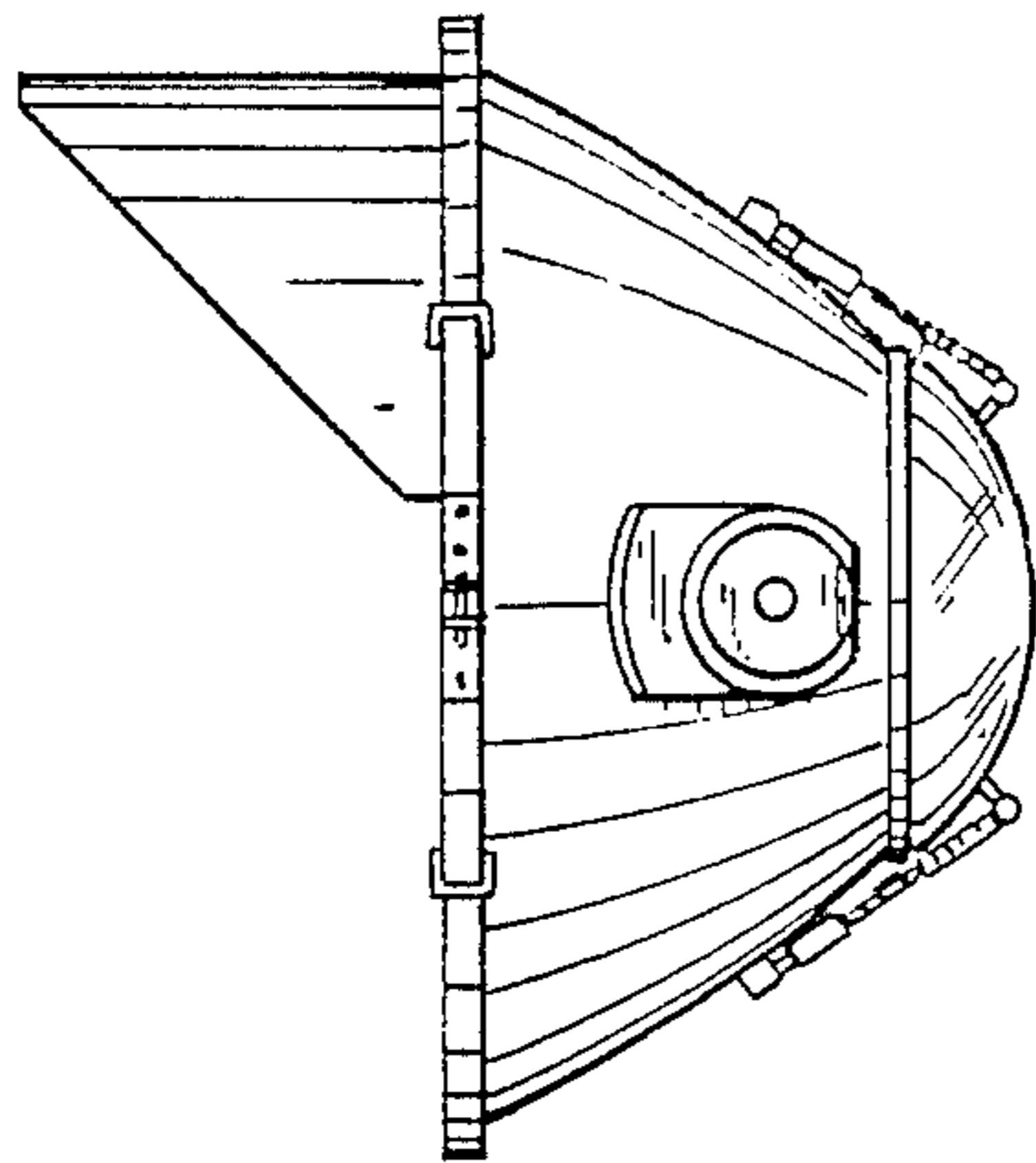


Fig. 3

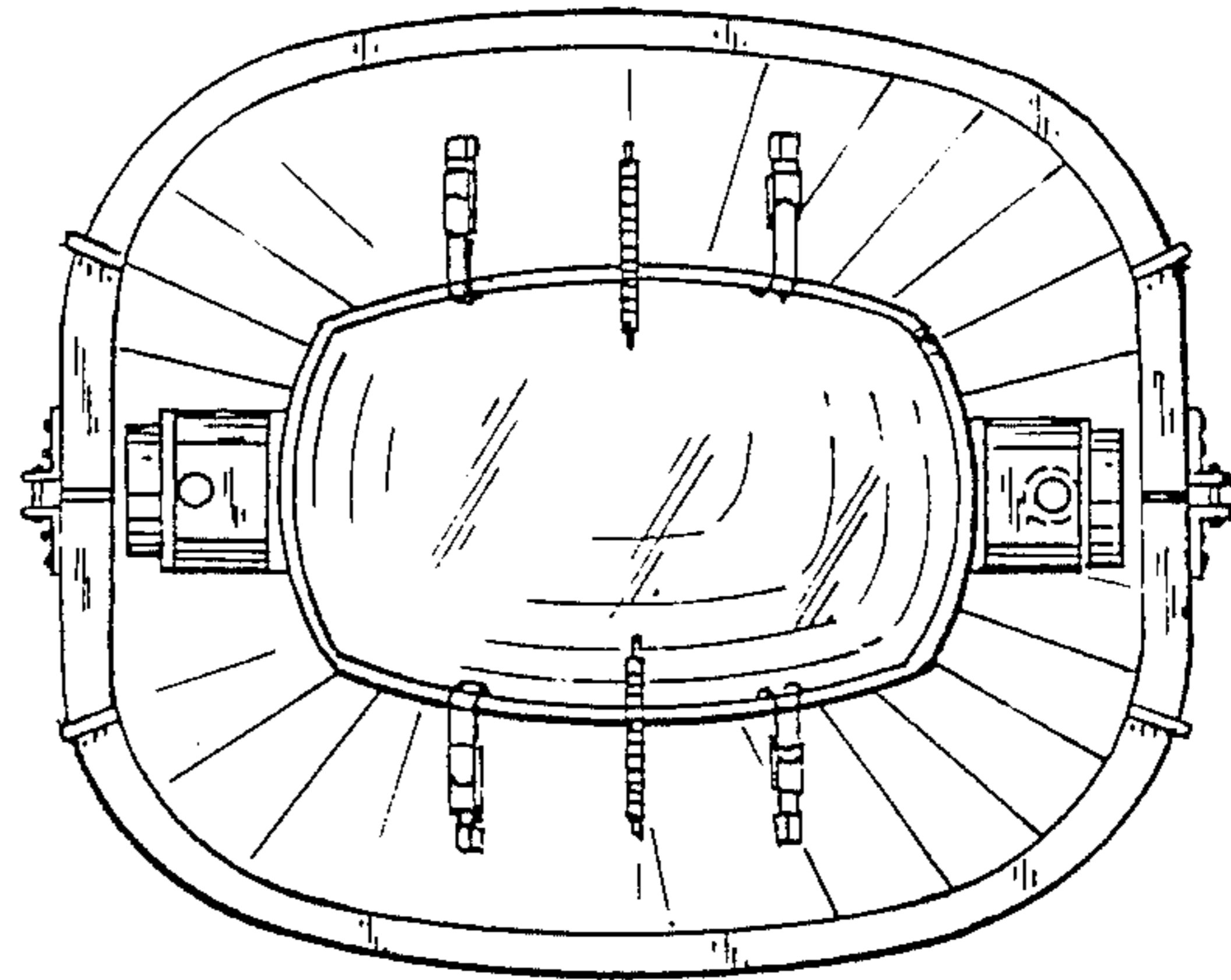


Fig. 4

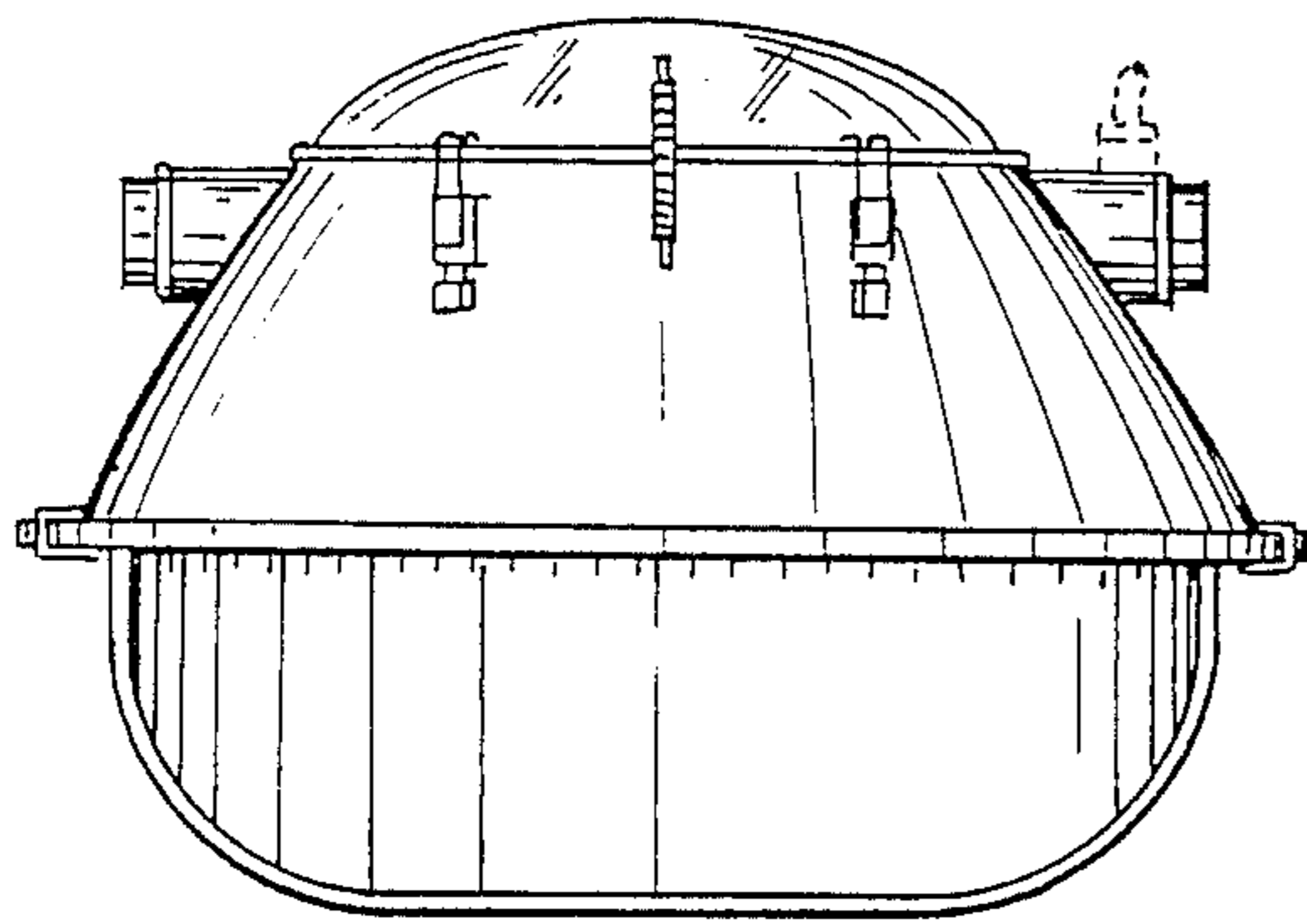


Fig. 5