

- [54] COMBINED BICYCLE LAMP AND BRACKET THEREFOR
- [75] Inventor: John H. Drane, Kensington, England
- [73] Assignee: Duracell Inc., Bethel, Conn.
- [**] Term: 14 Years
- [21] Appl. No.: 731,425
- [22] Filed: May 7, 1985

- [30] Foreign Application Priority Data
- Nov. 9, 1984 [GB] United Kingdom 1023209
- [52] U.S. Cl. D26/34; D26/28; D26/37
- [58] Field of Search D26/28-36, D26/24, 37, 40; 362/61, 72, 80, 82, 83; 340/72, 81 R, 84, 87, 134

- [56] References Cited
- U.S. PATENT DOCUMENTS
- D. 249,181 8/1978 Glasenapp et al. D26/29
- 4,510,557 4/1985 Tsuyama 362/72 X

- FOREIGN PATENT DOCUMENTS
- 3335872 4/1984 Fed. Rep. of Germany 362/72

Primary Examiner—Susan J. Lucas

Attorney, Agent, or Firm—Ronald S. Cornell; James B. McVeigh

[57] CLAIM

The ornamental design for a combined bicycle lamp and bracket therefor, substantially as shown and described.

DESCRIPTION

FIG. 1 is an exploded top, front, and right side isometric view of a combined bicycle lamp and bracket therefor showing my new design;

FIG. 2 is a top plan view thereof on an enlarged scale;

FIG. 3 is a top plan view thereof on an enlarged scale with the key switch removed for purposes of disclosure;

FIG. 4 is a bottom plan view thereof on an enlarged scale;

FIG. 5 is an exploded right side elevational view thereof, the left side being a mirror image;

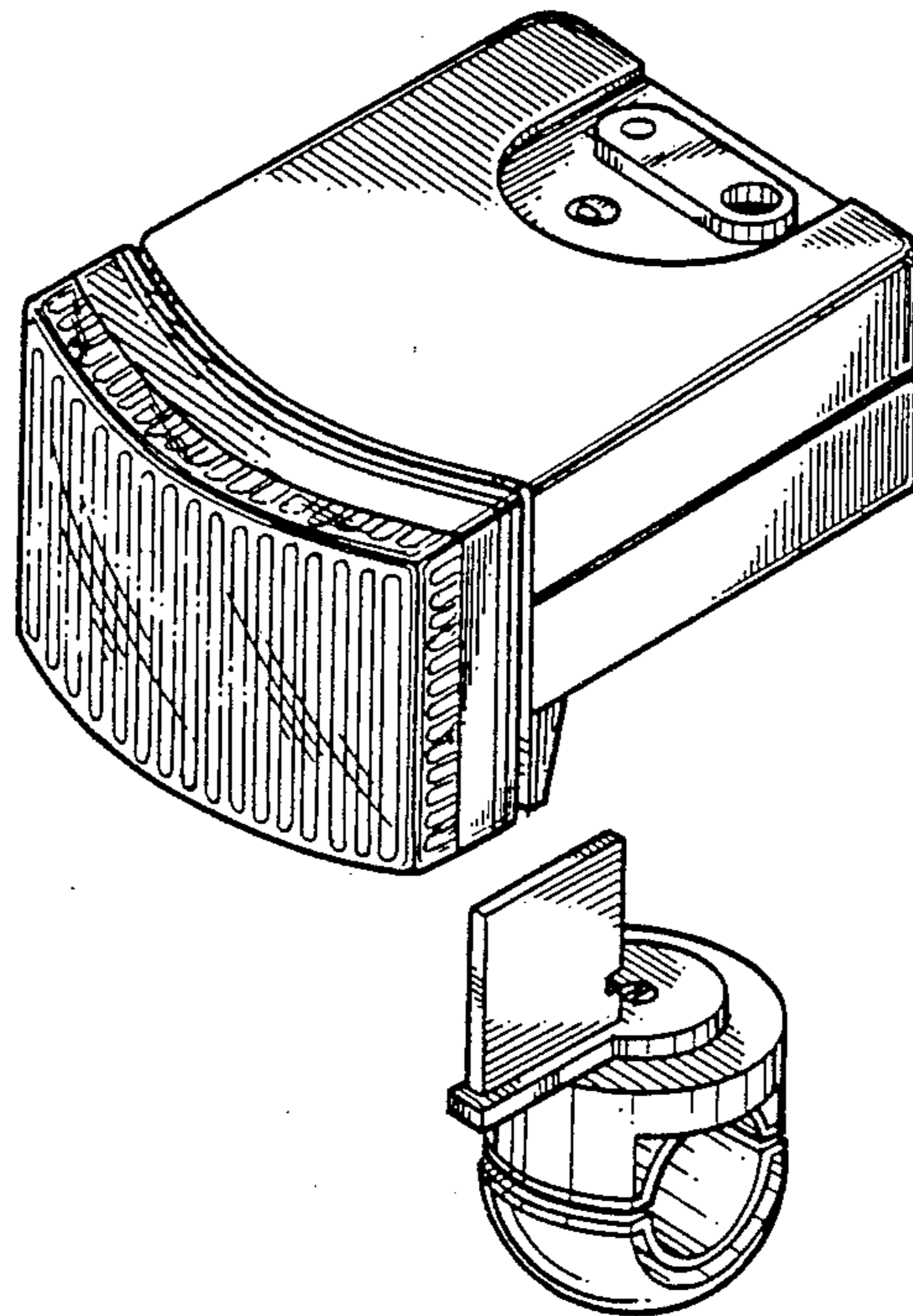
FIG. 6 is a right side elevational view thereof, the bracket and lamp being assembled;

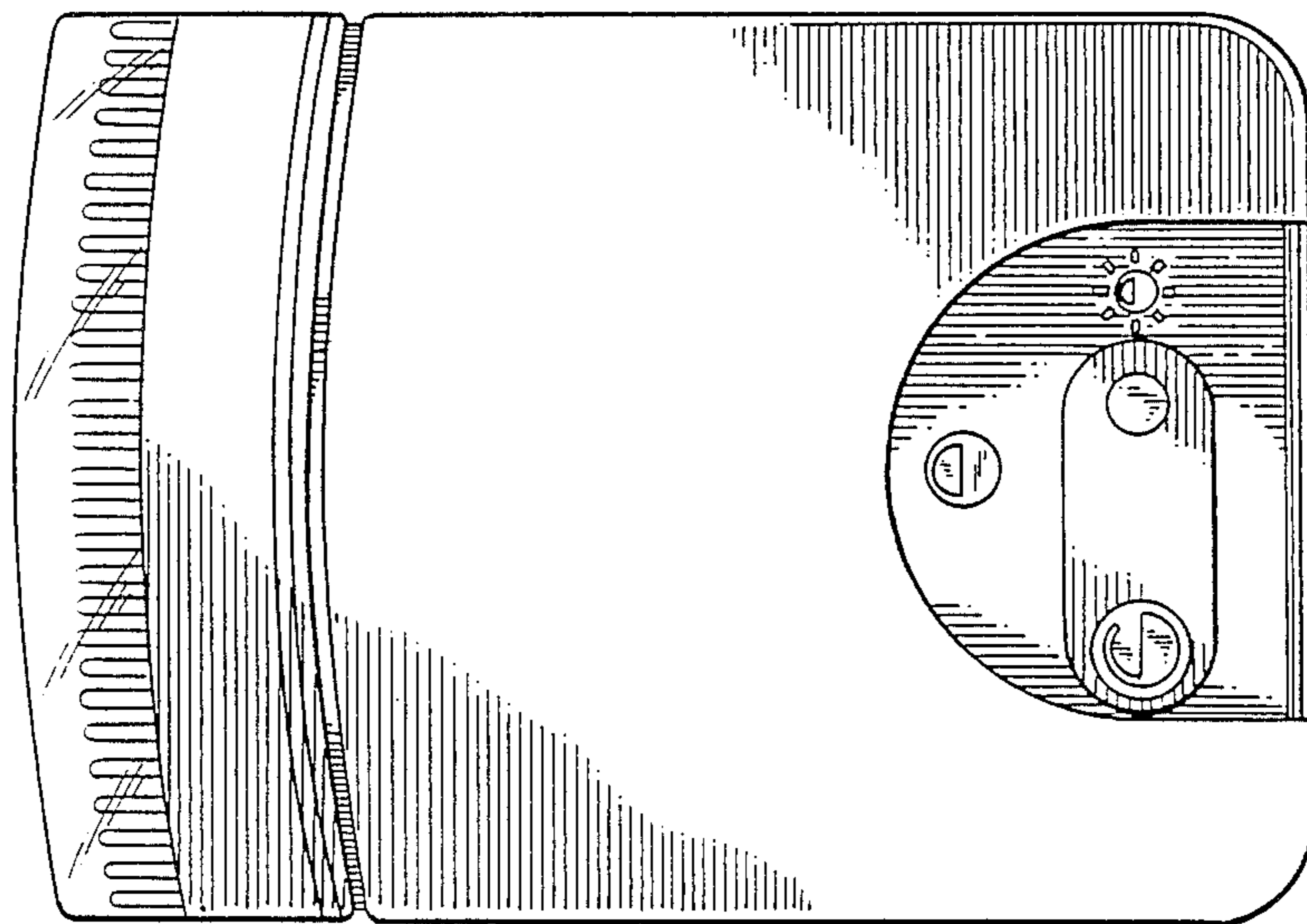
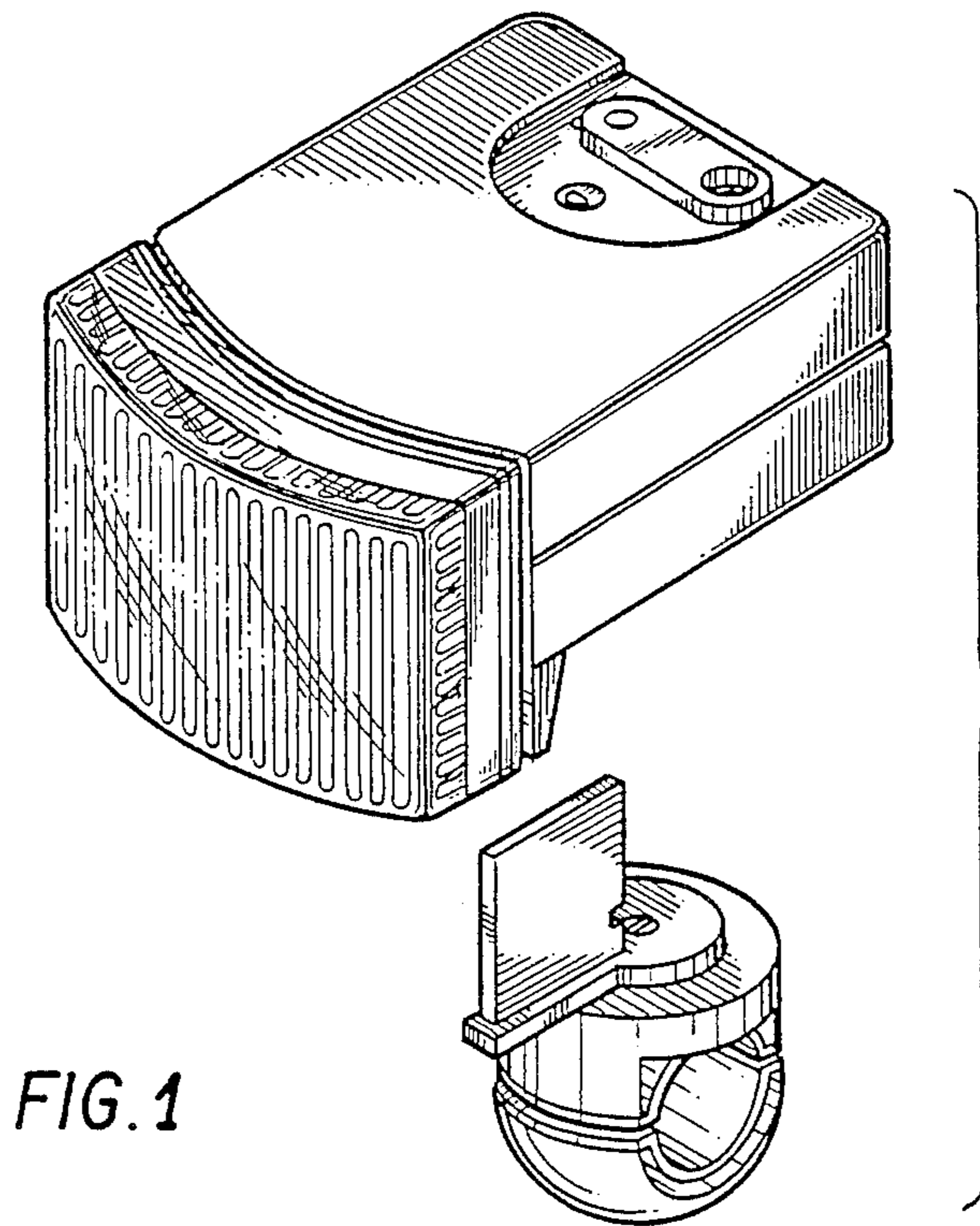
FIG. 7 is a side elevational view of the bracket on an enlarged scale, the lamp being omitted for purposes of disclosure and the tongue which engages the lamp being swiveled to an alternate position;

FIG. 8 is a front elevational view of the bracket in the position shown in FIG. 7;

FIG. 9 is a front elevational view of the combined lamp and bracket;

FIG. 10 is a rear elevational view thereof.





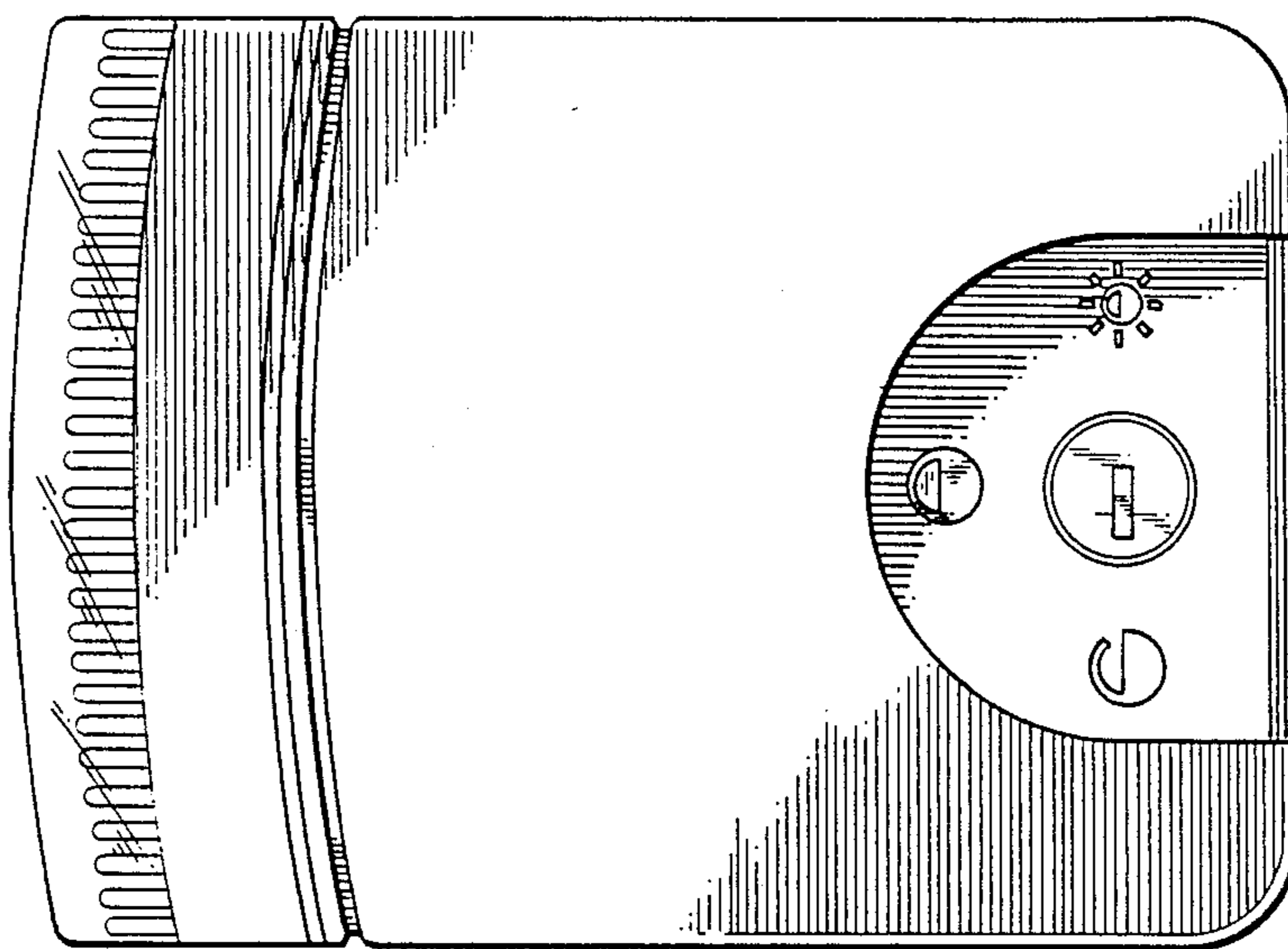


FIG. 3

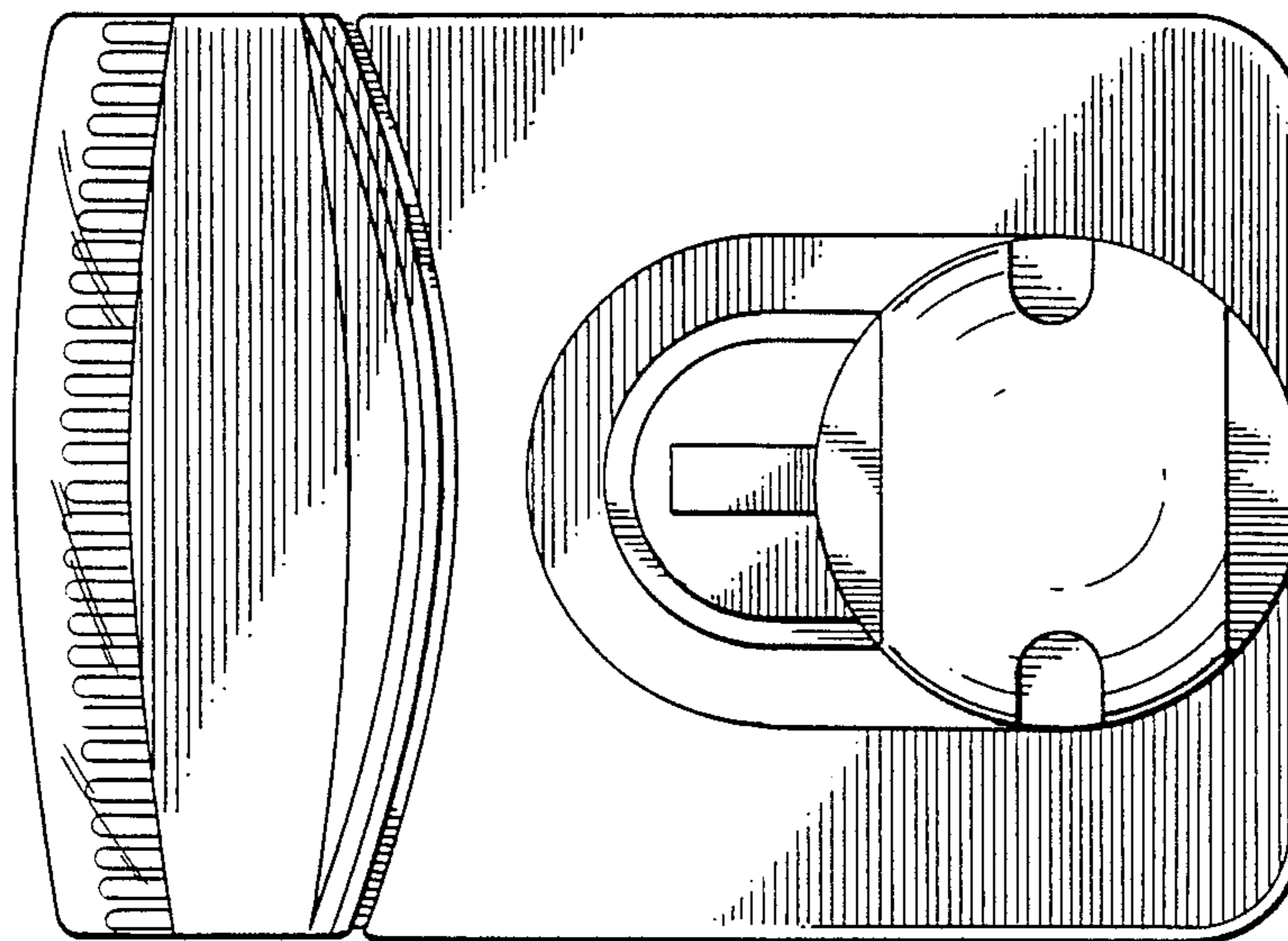


FIG. 4

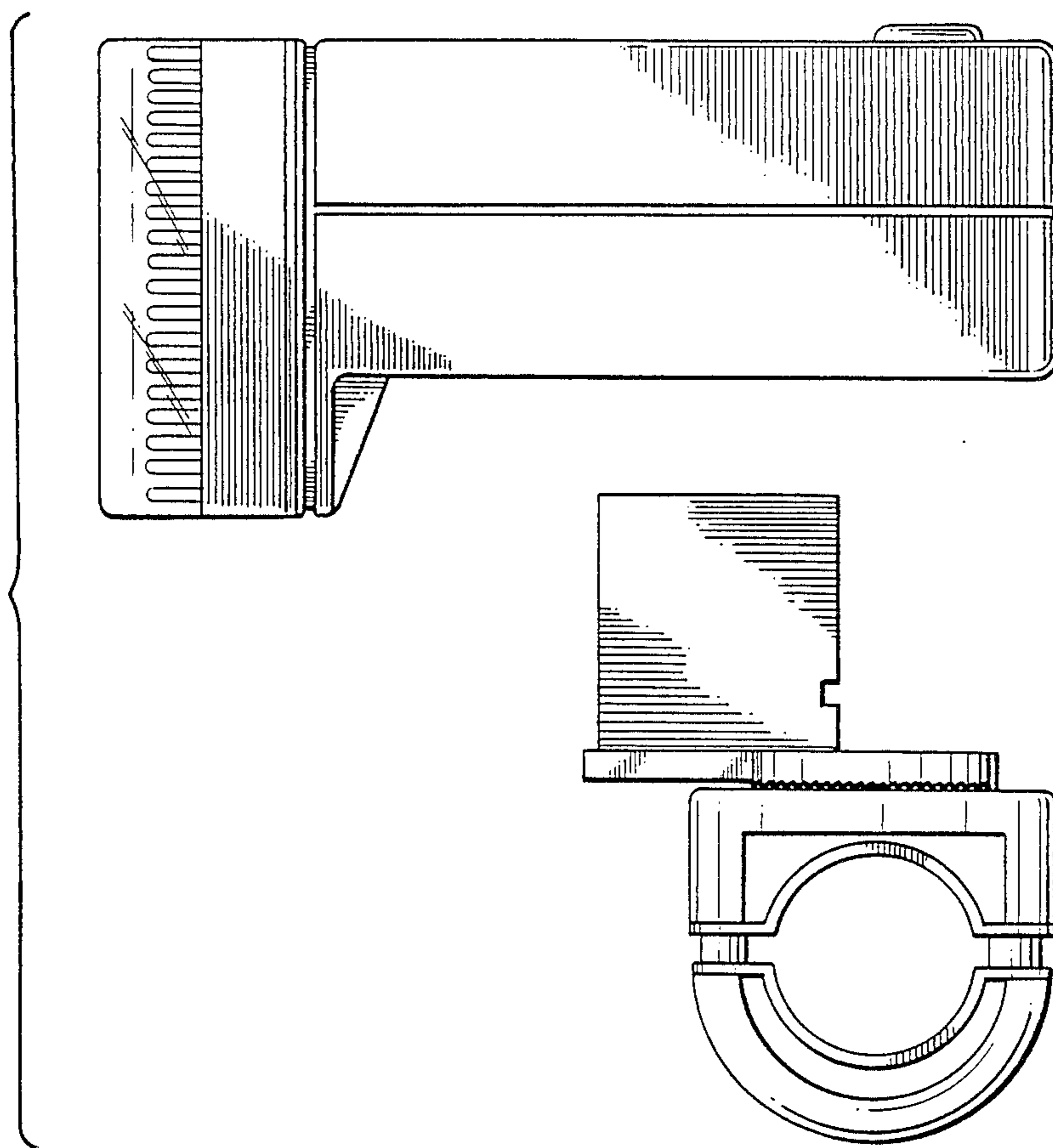


FIG. 5

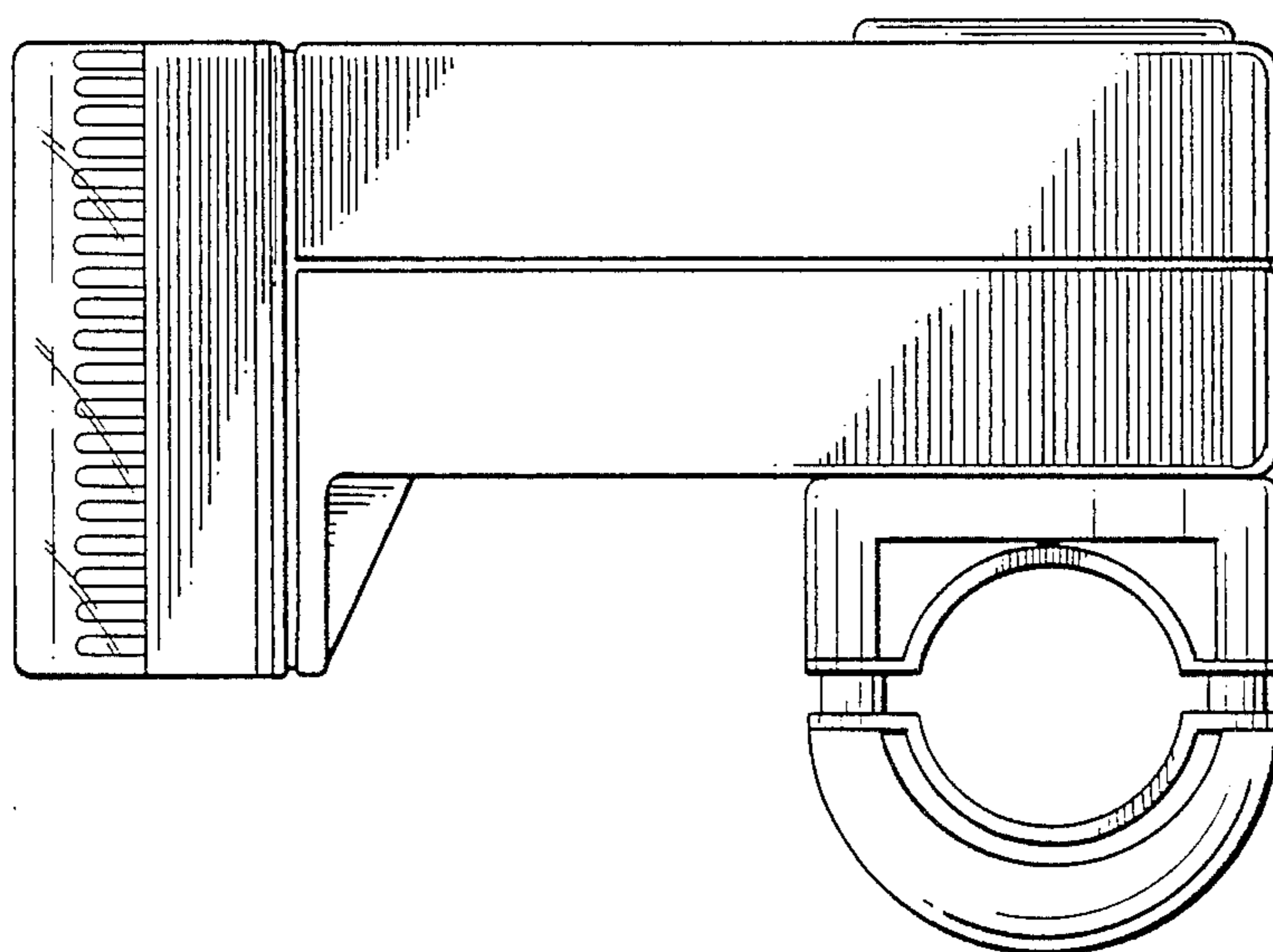


FIG. 6

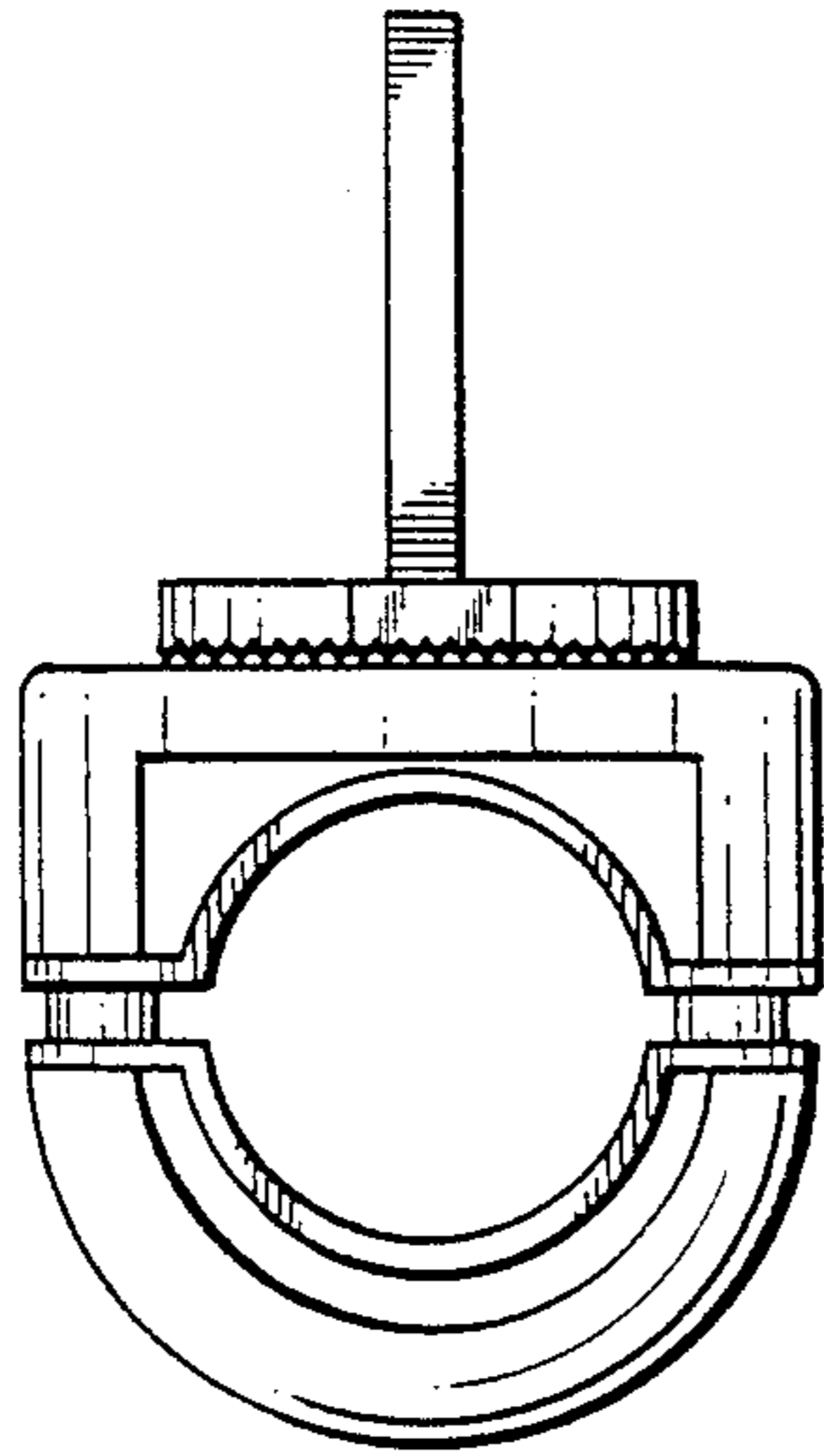


FIG. 7

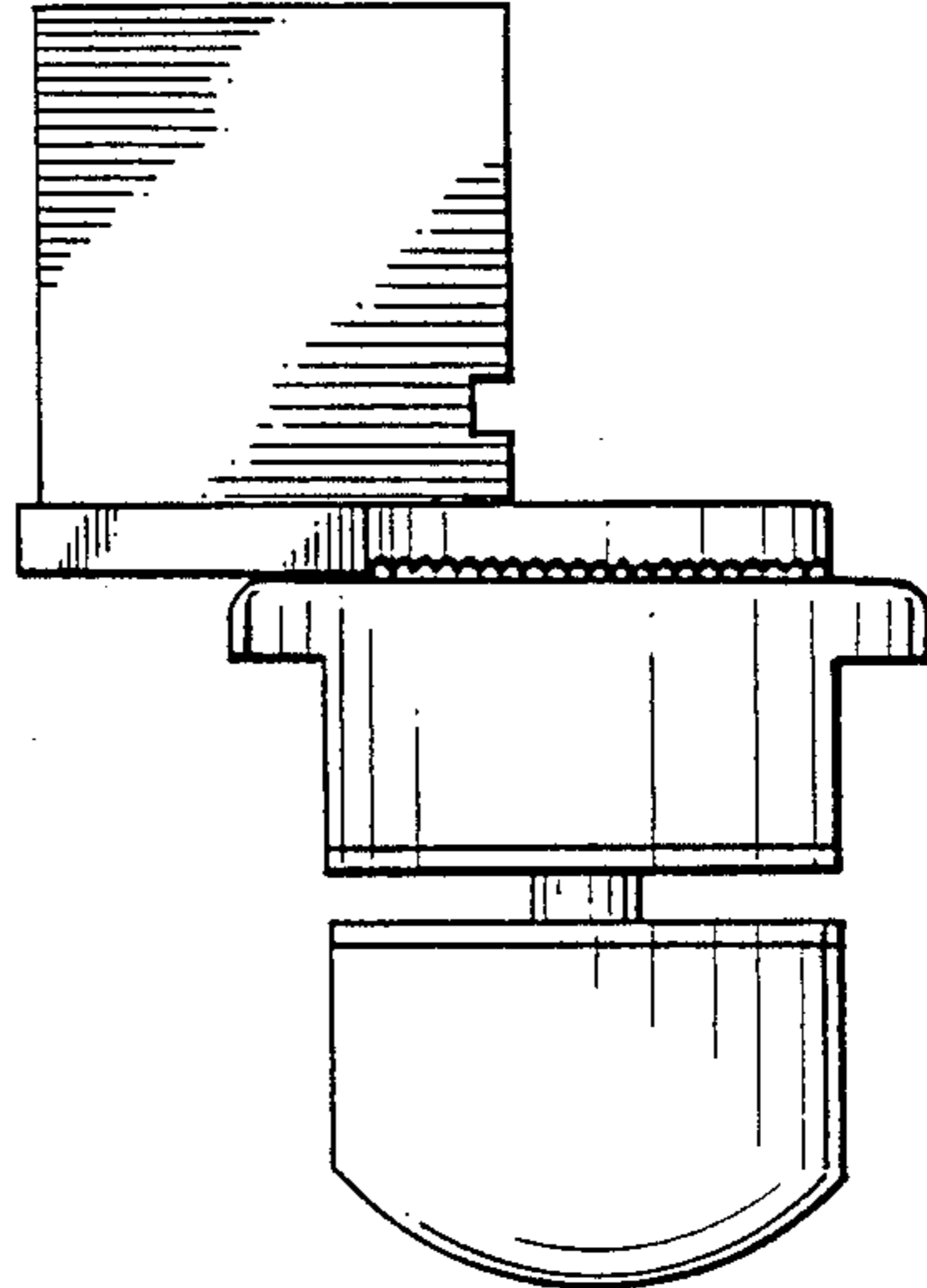


FIG. 8

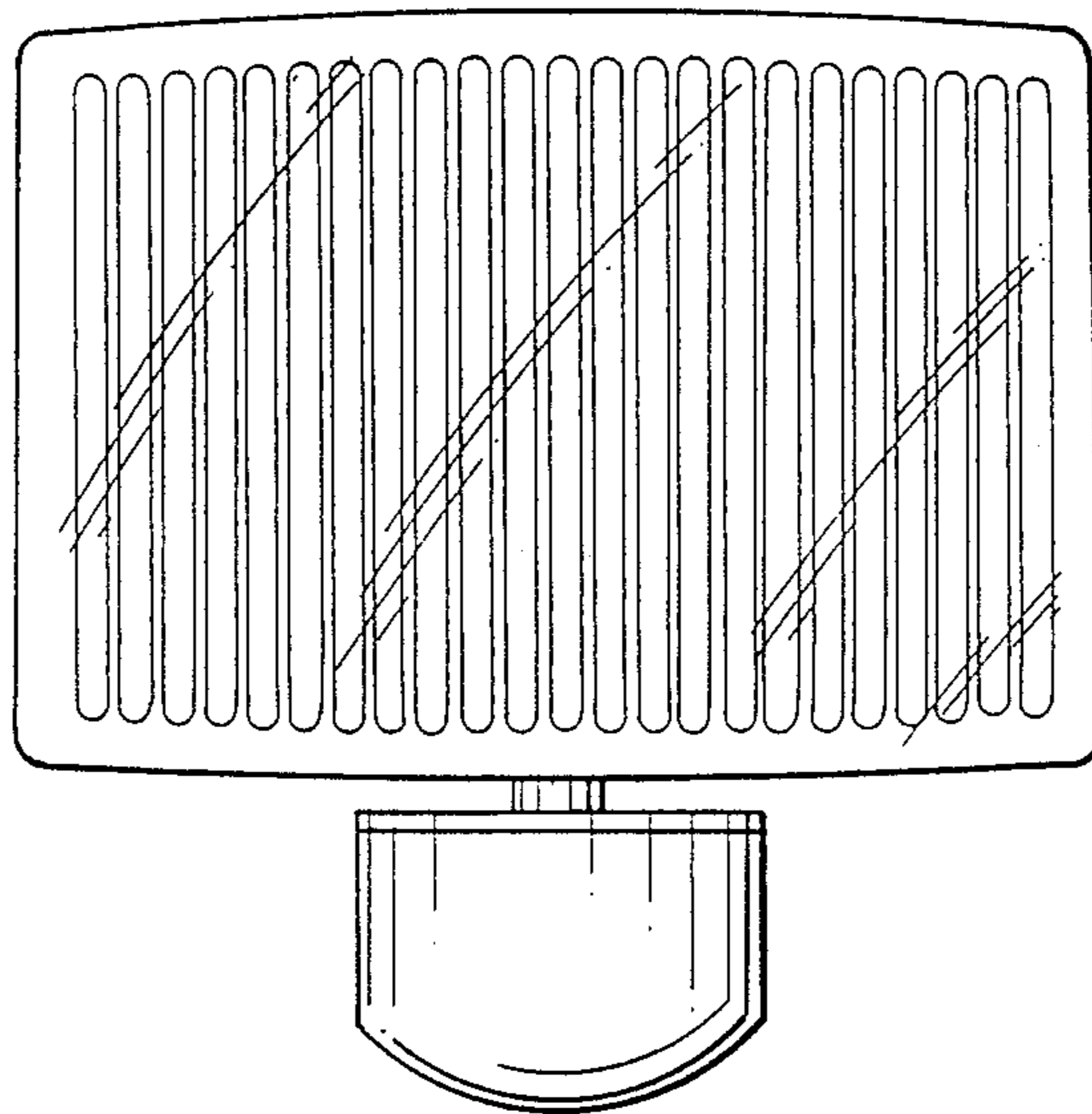


FIG. 9

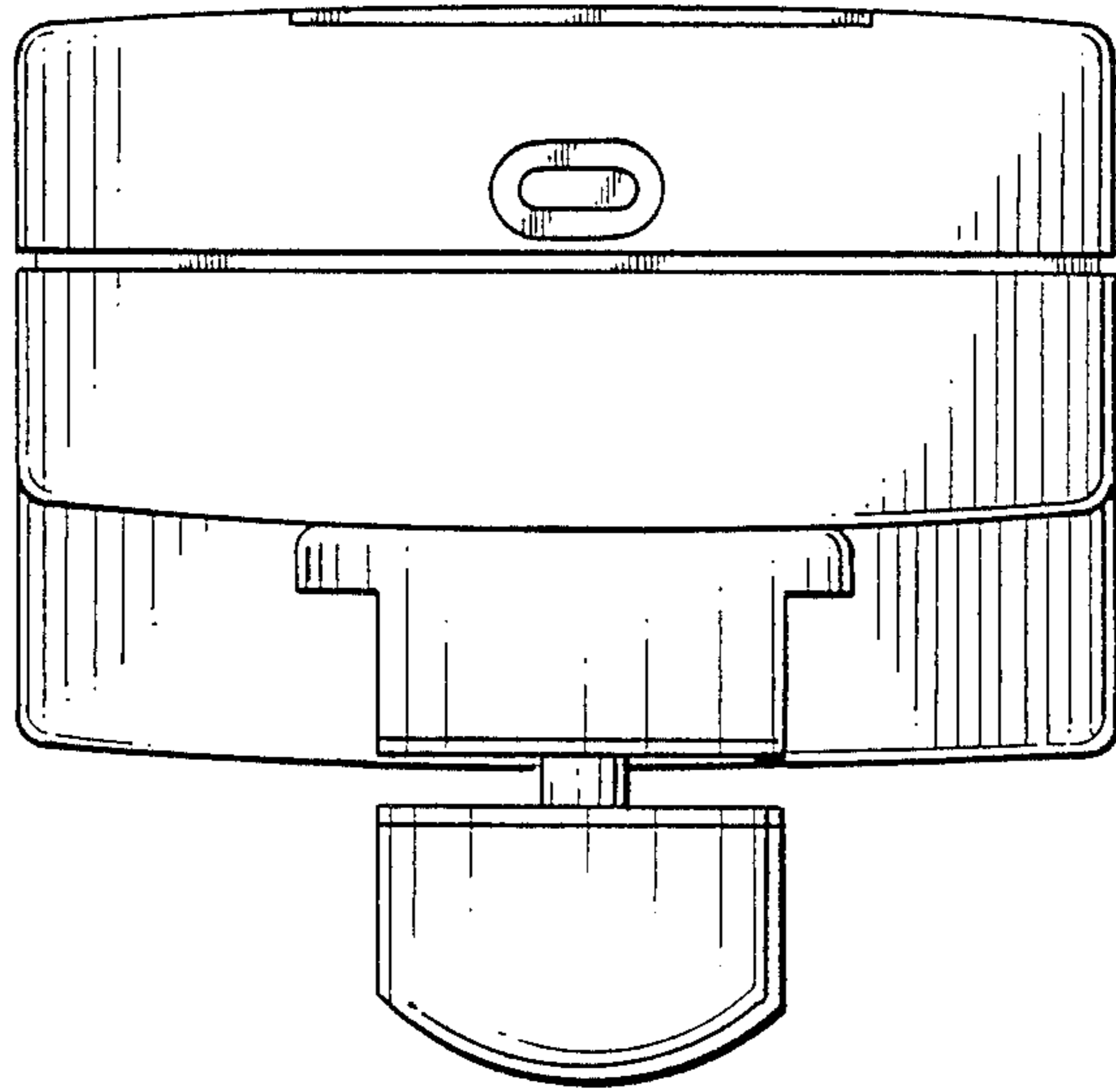


FIG. 10