

[54] INHALER CONTAINER FOR A MEDICAL AEROSOL

[75] Inventor: Gerald W. Hallworth, Ware, England

[73] Assignee: Glaxo Group Limited, London, England

[**] Term: 14 Years

[21] Appl. No.: 650,308

[22] Filed: Sep. 12, 1984

[30] Foreign Application Priority Data

Mar. 13, 1984 [GB] United Kingdom 1018472

[52] U.S. Cl. D24/62

[58] Field of Search D24/62; D29/7; 220/4 B; 128/200.14, 200.16, 200.18, 200.23, 203.12, 203.15, 203.16, 203.17, 203.21, 203.26, 203.27; D9/426; D23/148

[56] References Cited

U.S. PATENT DOCUMENTS

D. 105,384 7/1937 Lauterbach D24/62
D. 134,131 10/1942 Derham et al. D24/62

D. 269,463 6/1983 Young D24/62
2,328,542 9/1943 Bauman 220/4 B X
3,200,817 8/1965 Brainard D24/62

FOREIGN PATENT DOCUMENTS

1571859 6/1969 France 128/200.23

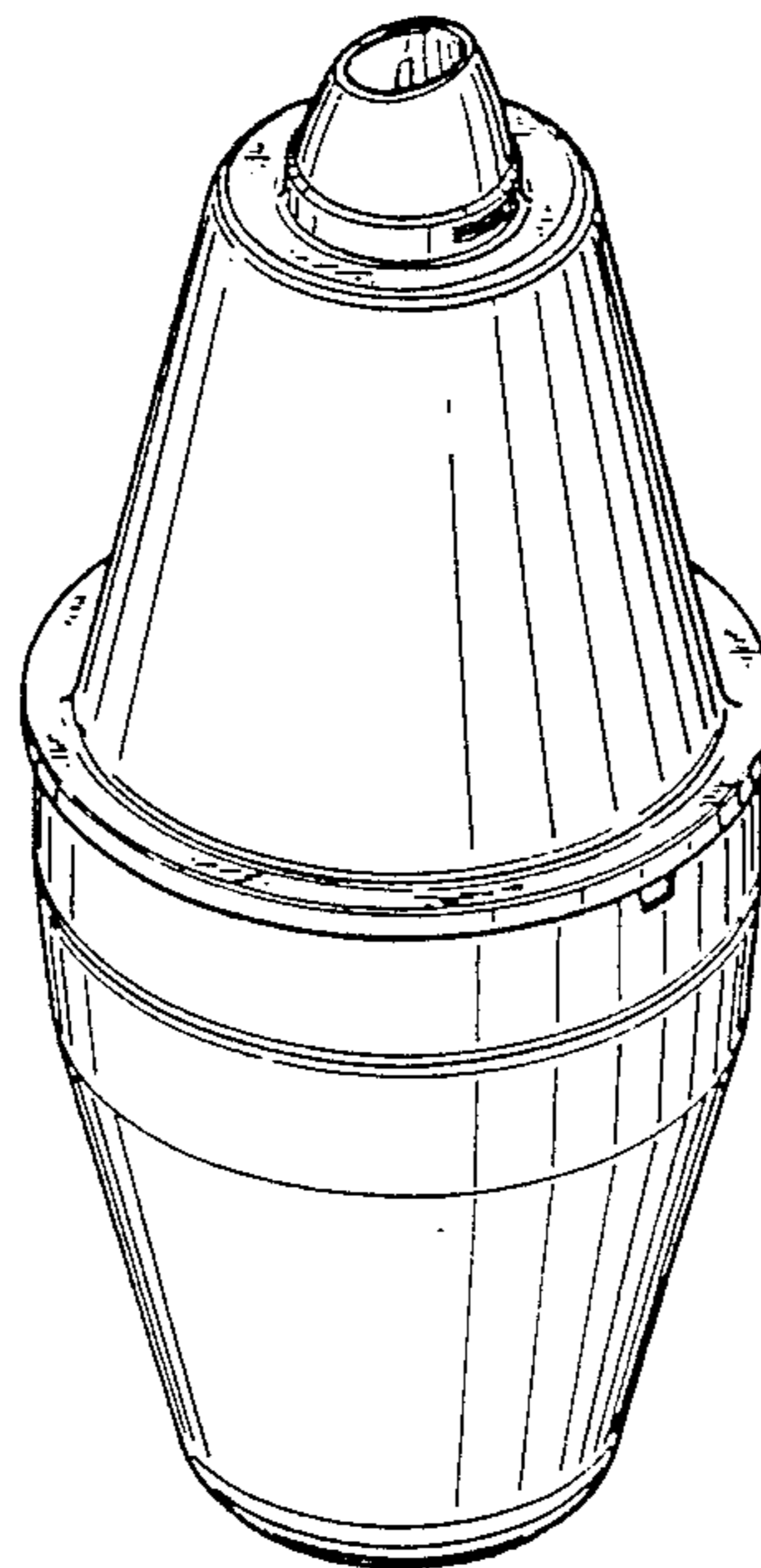
Primary Examiner—A. Hugo Word
Assistant Examiner—Stella M. Reid
Attorney, Agent, or Firm—McAulay, Fields, Fisher, Goldstein & Nissen

[57] CLAIM

The ornamental design for an inhaler container for a medical aerosol, as shown and described.

DESCRIPTION

FIG. 1 is a perspective view of an inhaler container for a medical aerosol showing my new design;
FIG. 2 is an exploded perspective view thereof;
FIG. 3 is a side elevational view thereof;
FIG. 4 is a top plan view thereof;
FIG. 5 is a bottom plan view thereof;
FIG. 6 is a perspective view thereof in storage position wherein the top is inverted and placed inside the bottom of the container position.



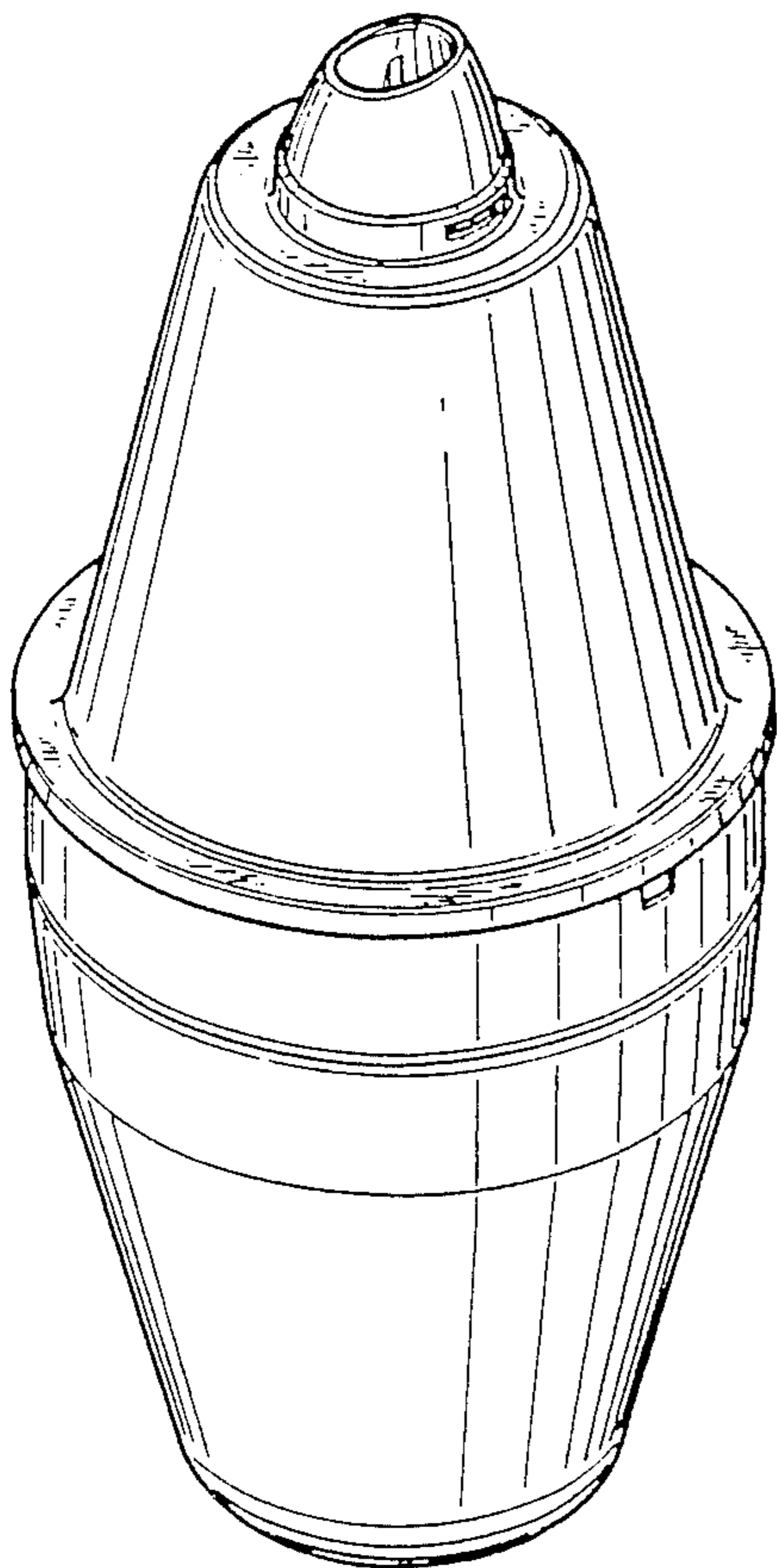


Fig. 1

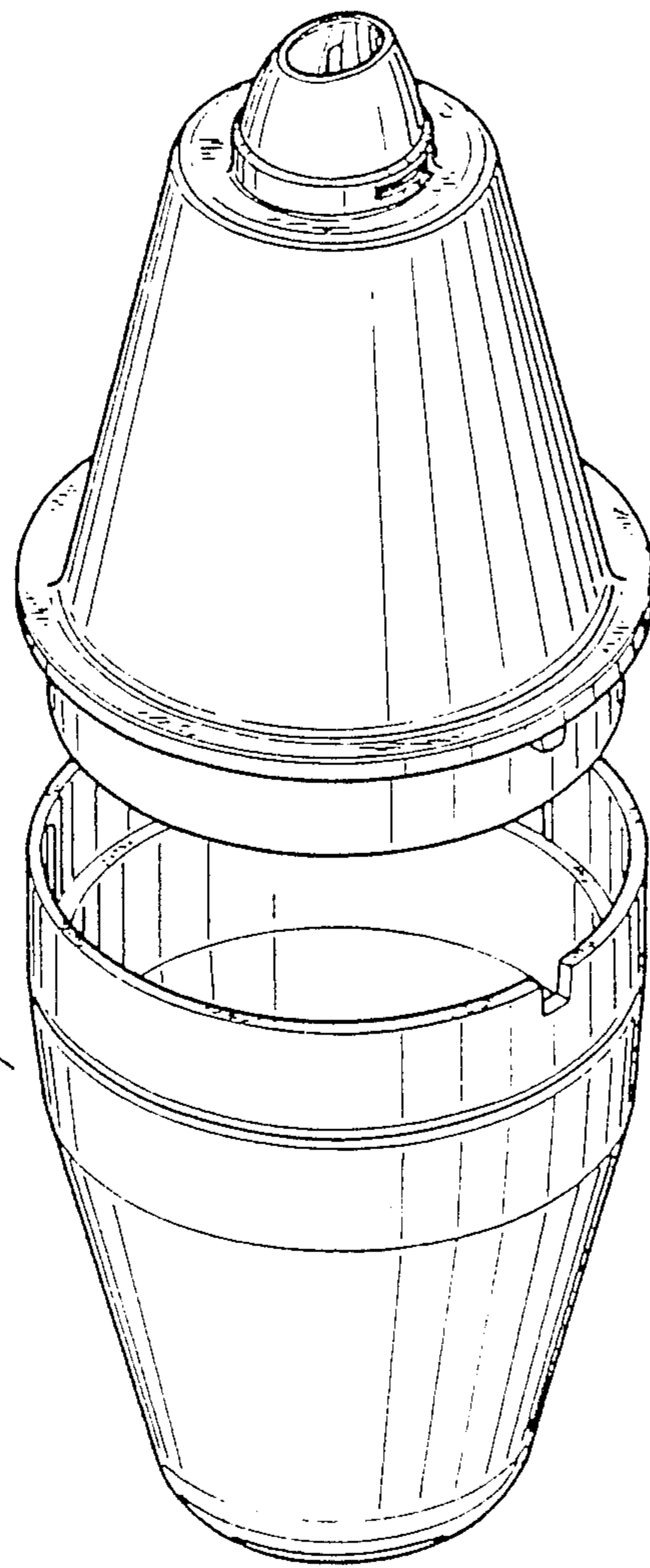


Fig. 2

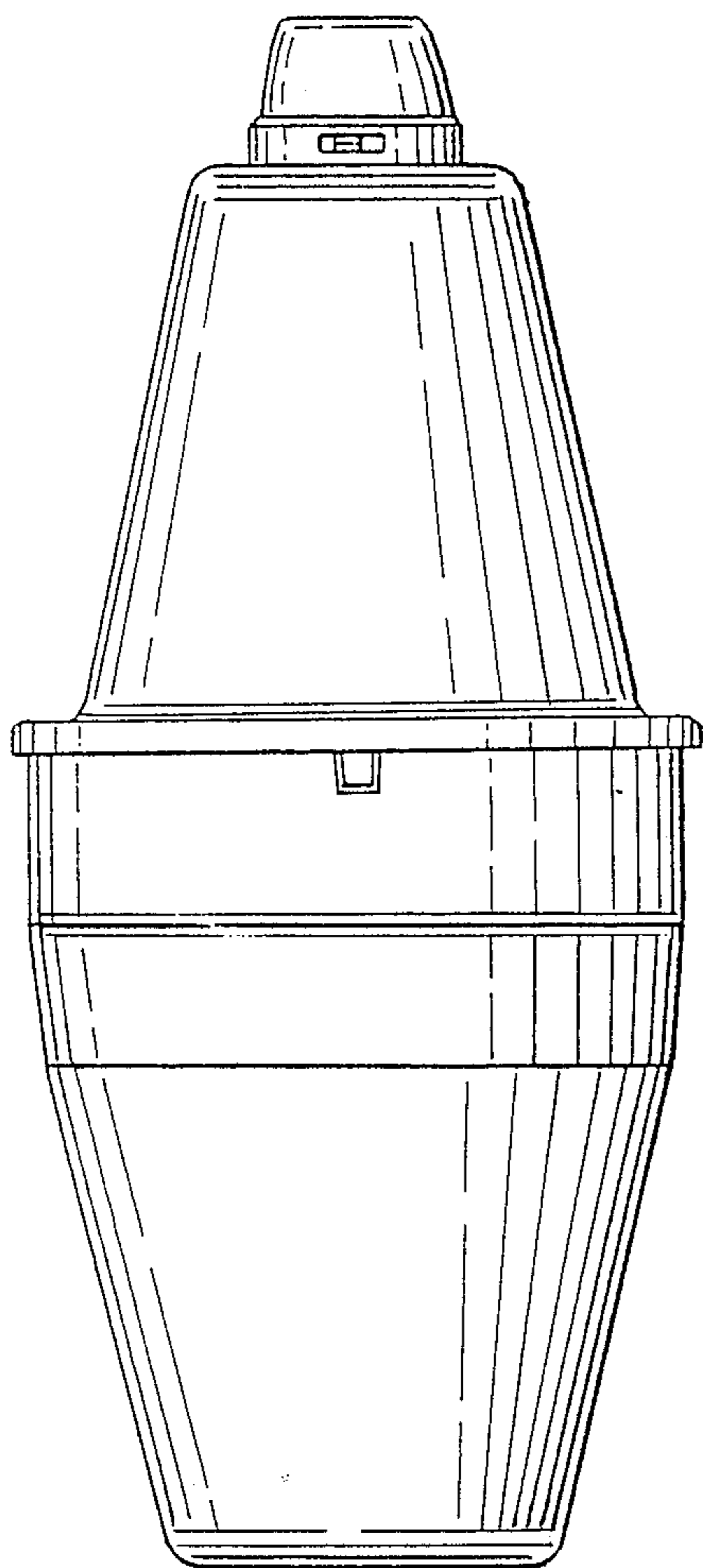


Fig. 3

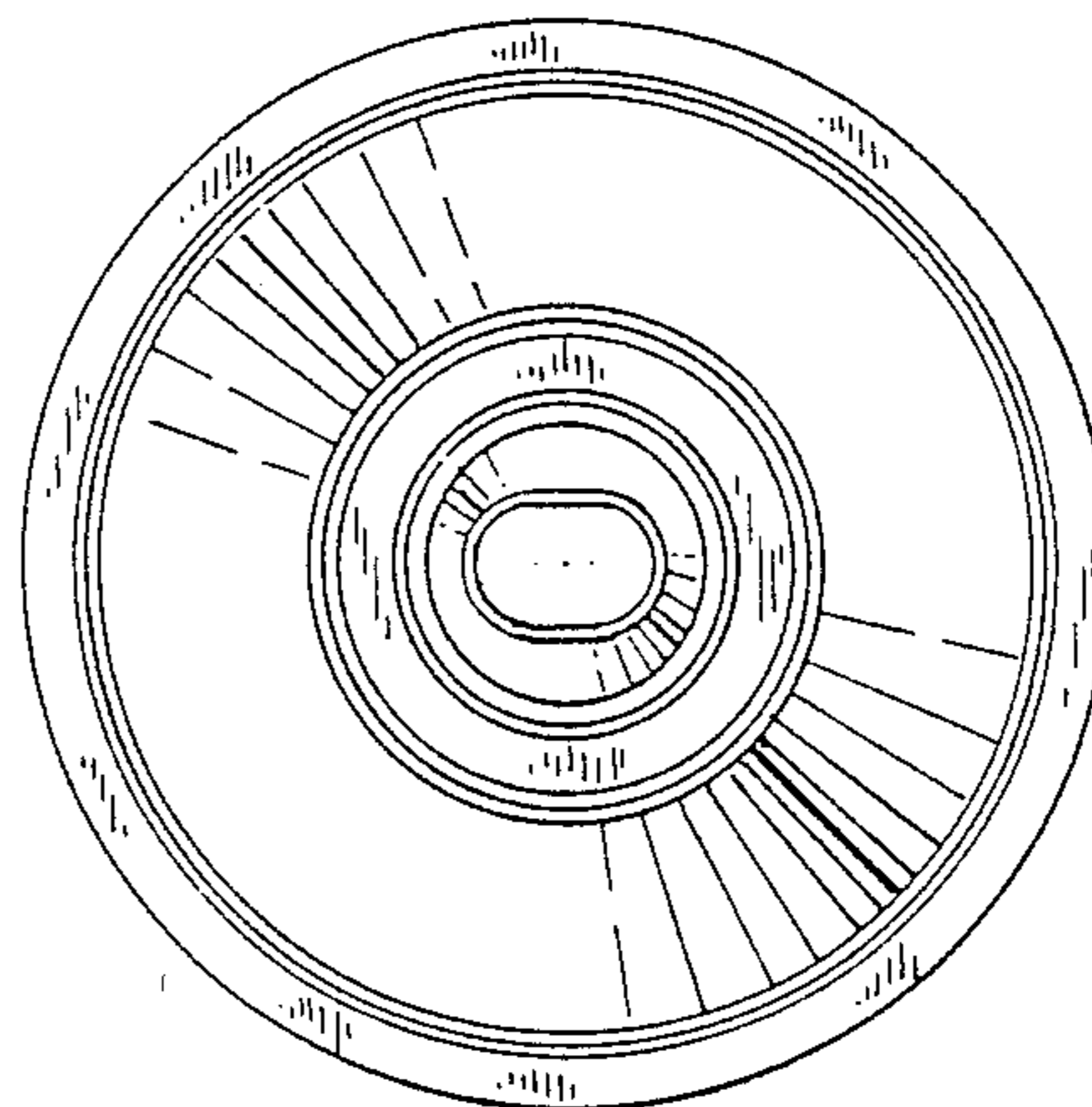


Fig. 4

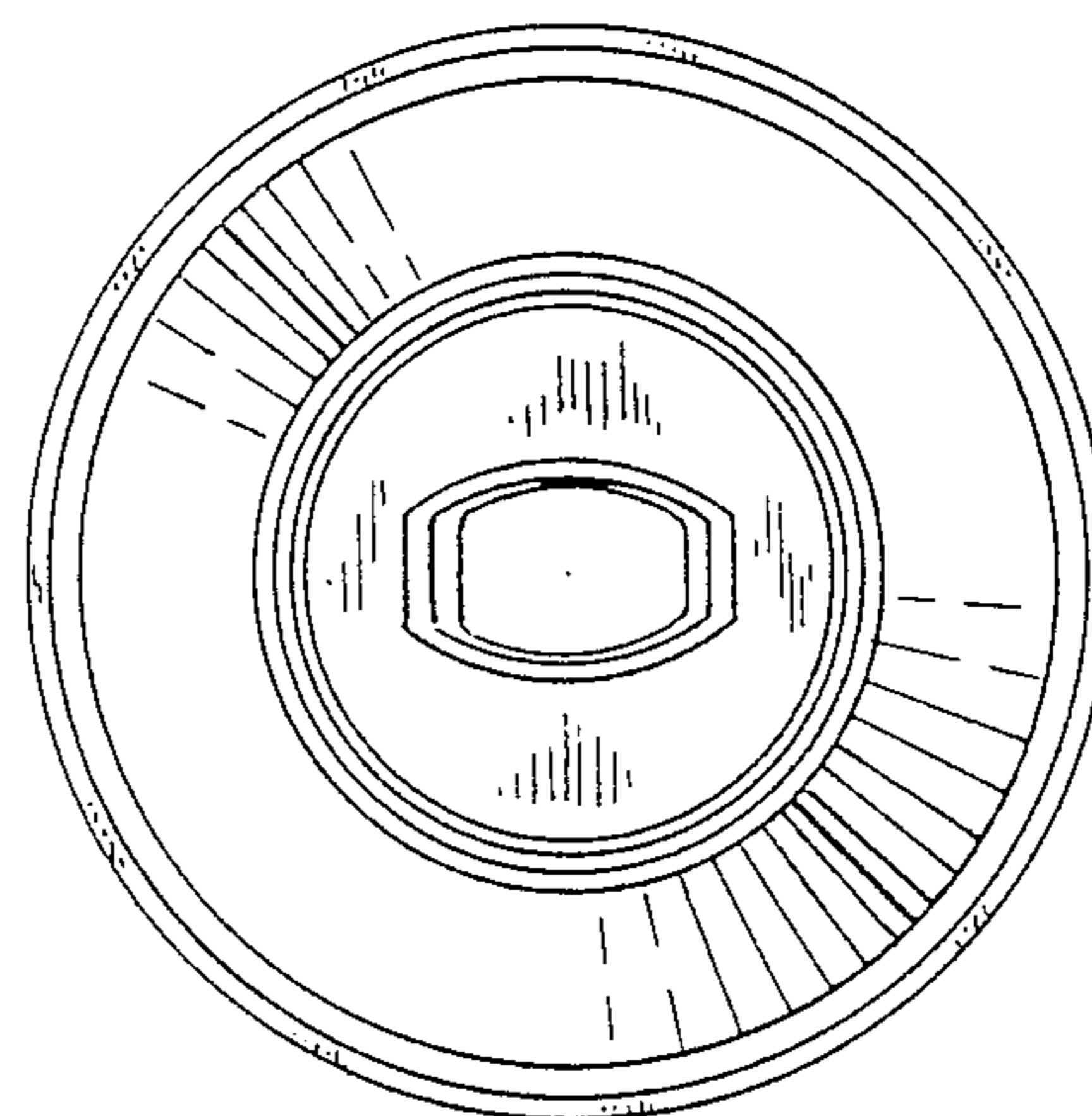


Fig. 5

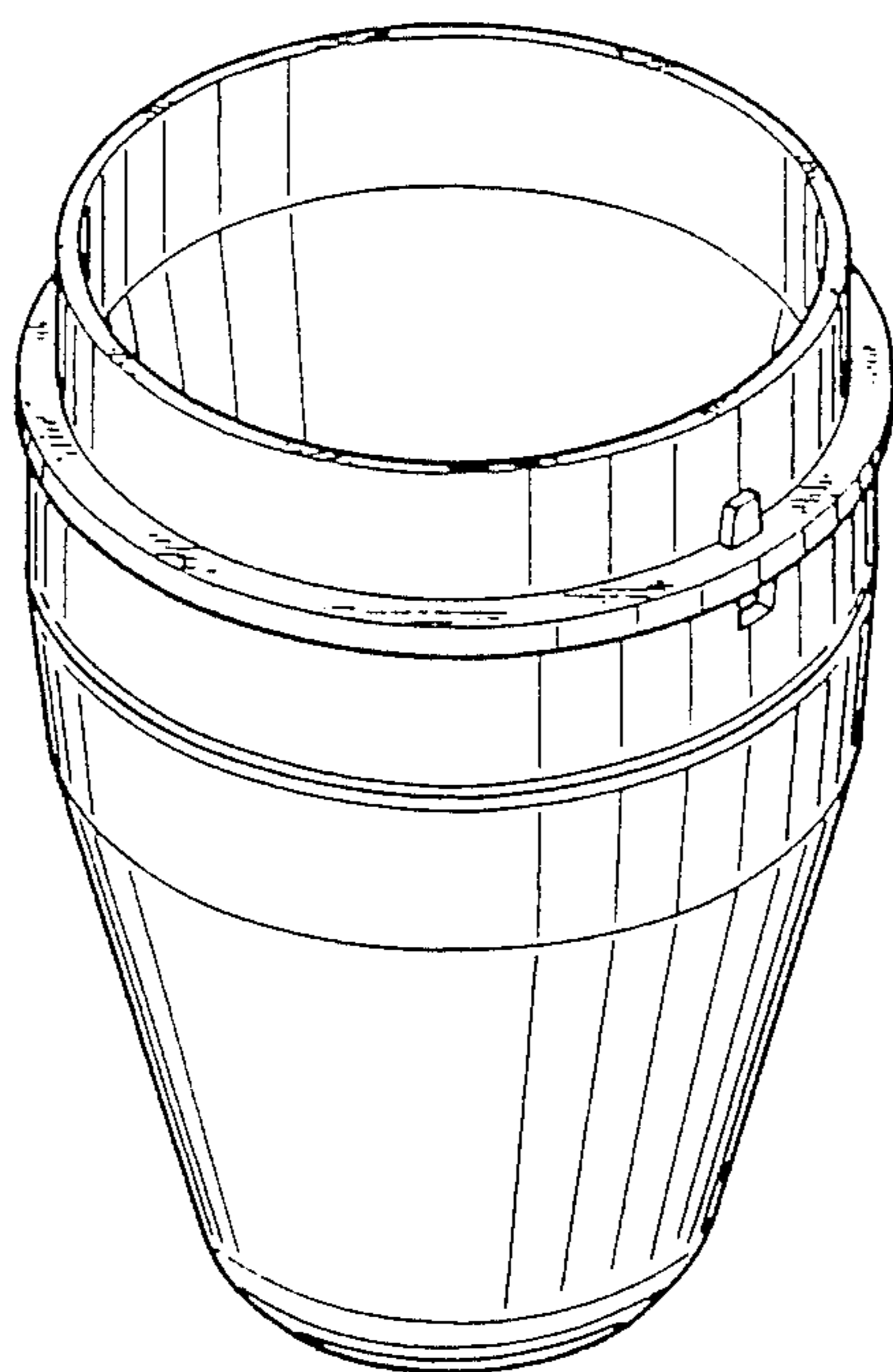


Fig. 6