

United States Patent [19]

Franchere et al.

[11] Patent Number: Des. 295,319

[45] Date of Patent: ** Apr. 19, 1988

[54] PETRI DISH OR THE LIKE

3,677,904 7/1972 Fitzgerald 435/297 X
3,769,936 11/1973 Swanson et al. 435/298 X

[75] Inventors: Larry A. Franchere, Oxnard; Kunio E. Suzuki, Newbury Park, both of Calif.

[73] Assignee: Becton, Dickinson and Company, Franklin Lakes, N.J.

[**] Term: 14 Years

[21] Appl. No.: 711,418

[22] Filed: Mar. 13, 1985

[52] U.S. Cl. D24/29; D24/8; D24/17

[58] Field of Search D24/29, 31, 8, 56, 17; 435/297, 298; 422/102; 206/557

[56] References Cited

U.S. PATENT DOCUMENTS

D. 272,185 1/1984 Schlesinger D24/29
2,677,647 5/1954 Lovell 435/298

OTHER PUBLICATIONS

Sargent-Welch-Scientific Laboratory Instruments, ©1979, Petri Dish, Item #5-26026, p. 388.

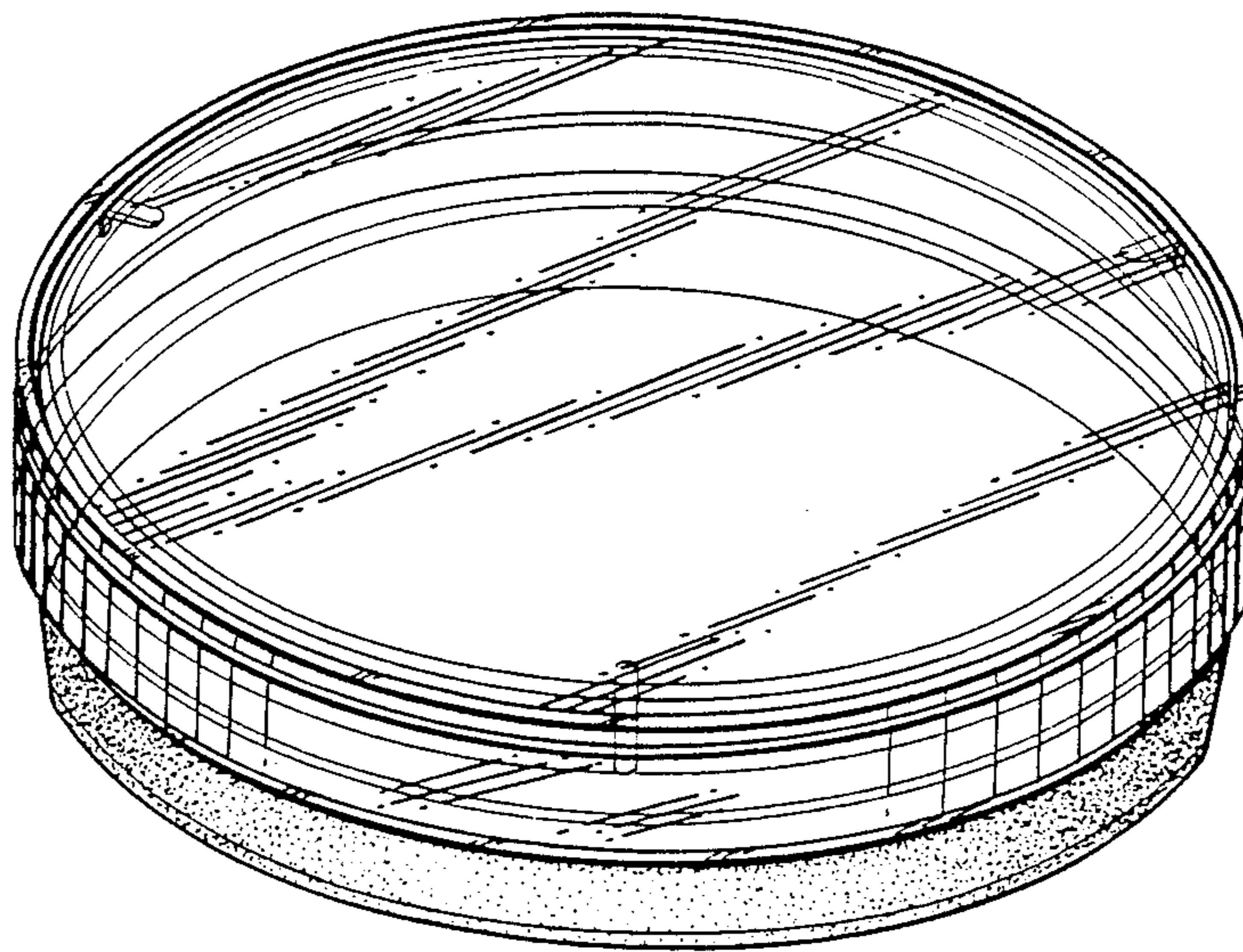
Primary Examiner—George P. Word
Assistant Examiner—Stella M. Reid
Attorney, Agent, or Firm—J. L. Voellmicke

[57] CLAIM

The ornamental design for a petri dish or the like, as shown and described.

DESCRIPTION

FIG. 1 is a perspective view of a petri dish or the like showing our new design;
FIG. 2 is a top plan view thereof;
FIG. 3 is a bottom plan view thereof;
FIG. 4 is a side elevational view thereof; and
FIG. 5 is a cross-sectional view thereof, taken along line 5—5 of FIG. 2.



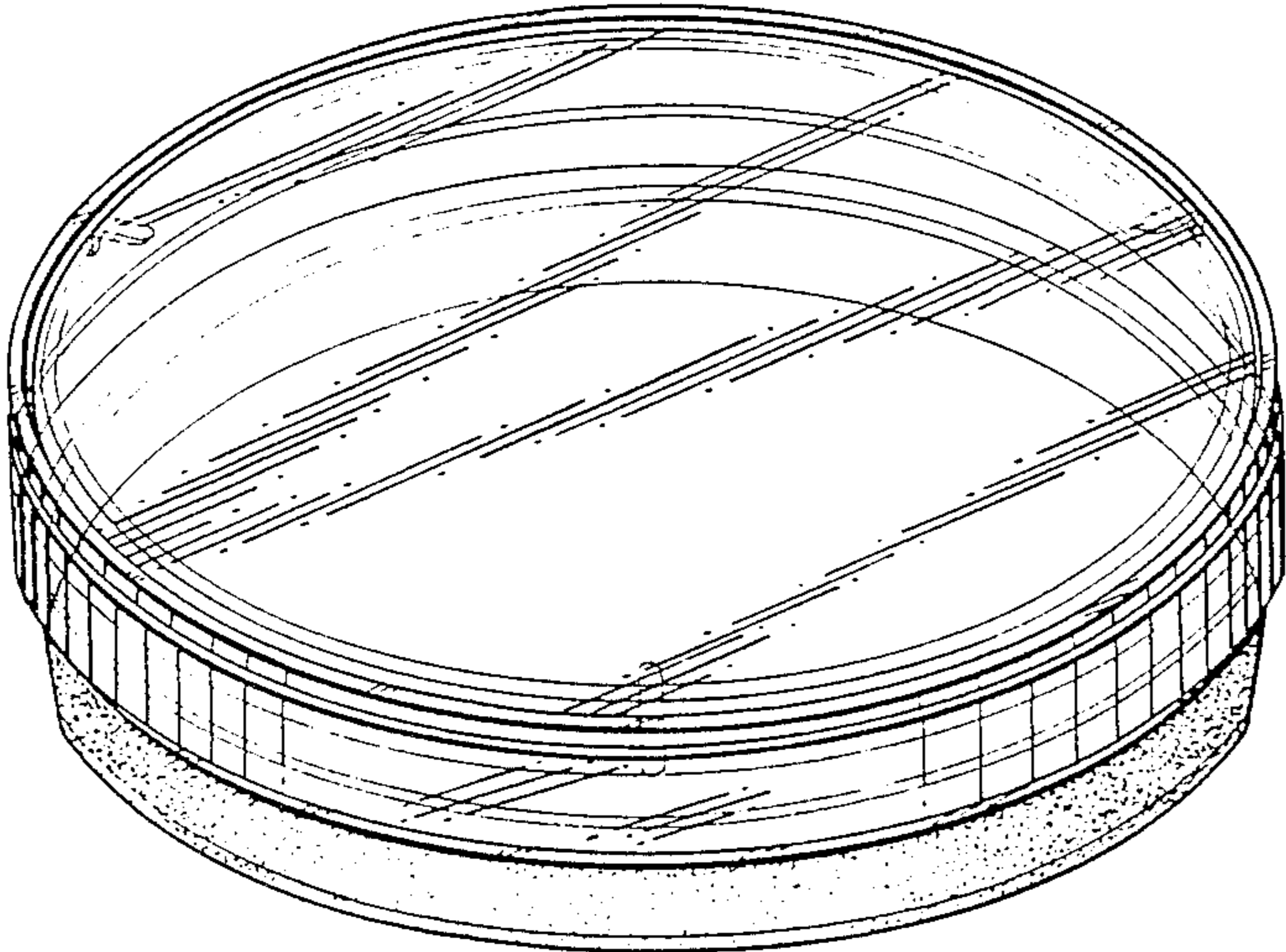


FIG. 1

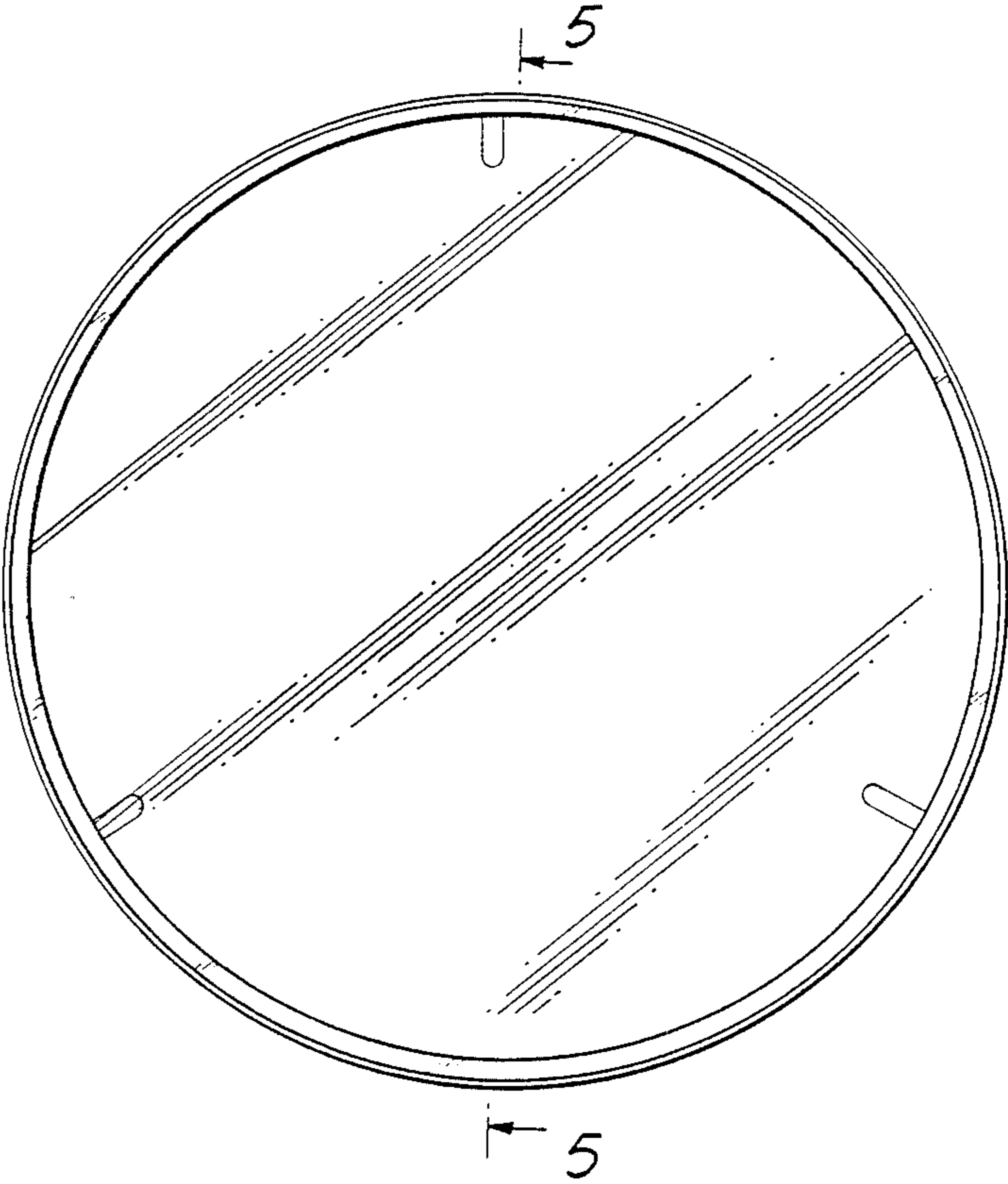


FIG. 2

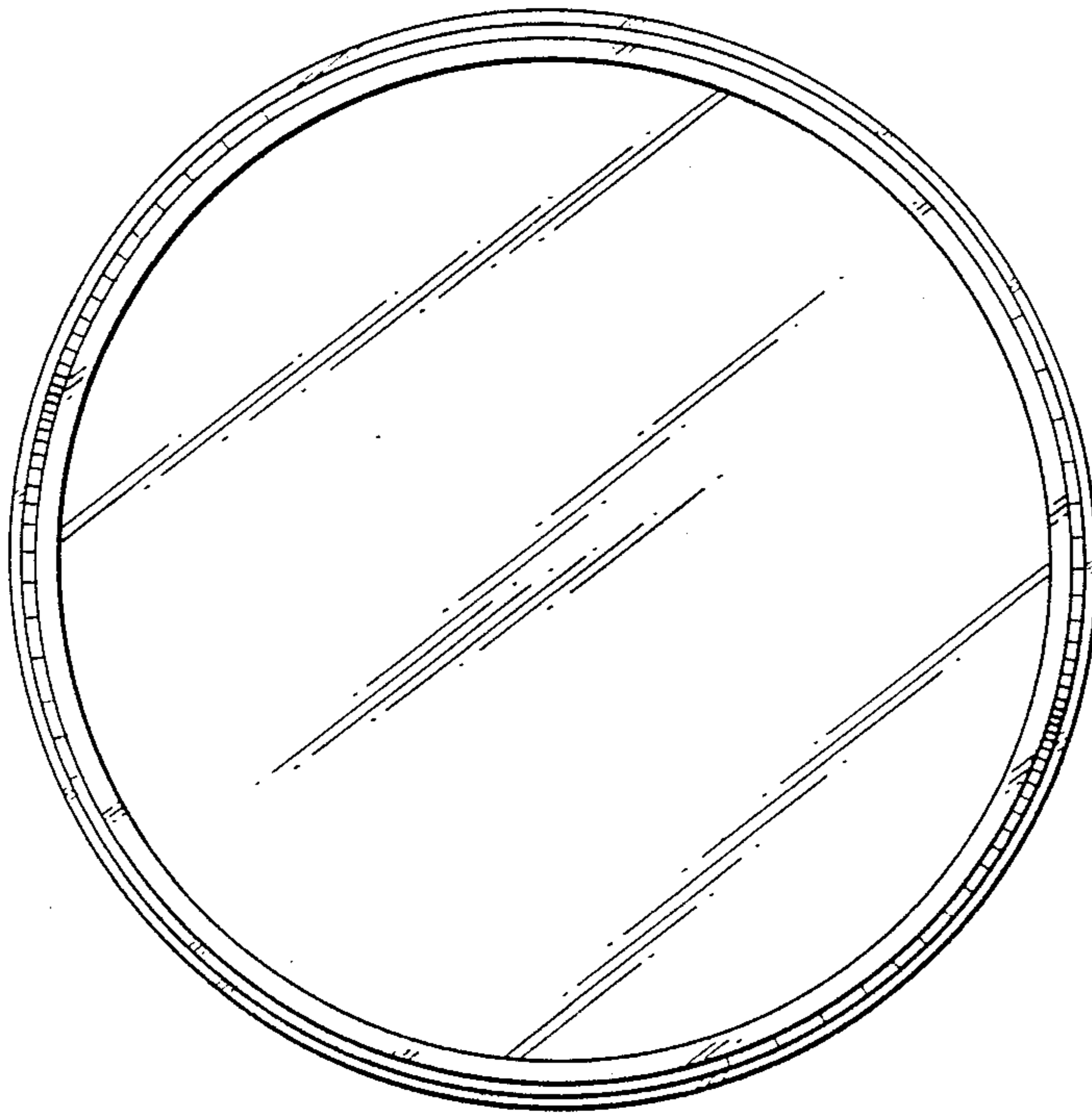


FIG. 3

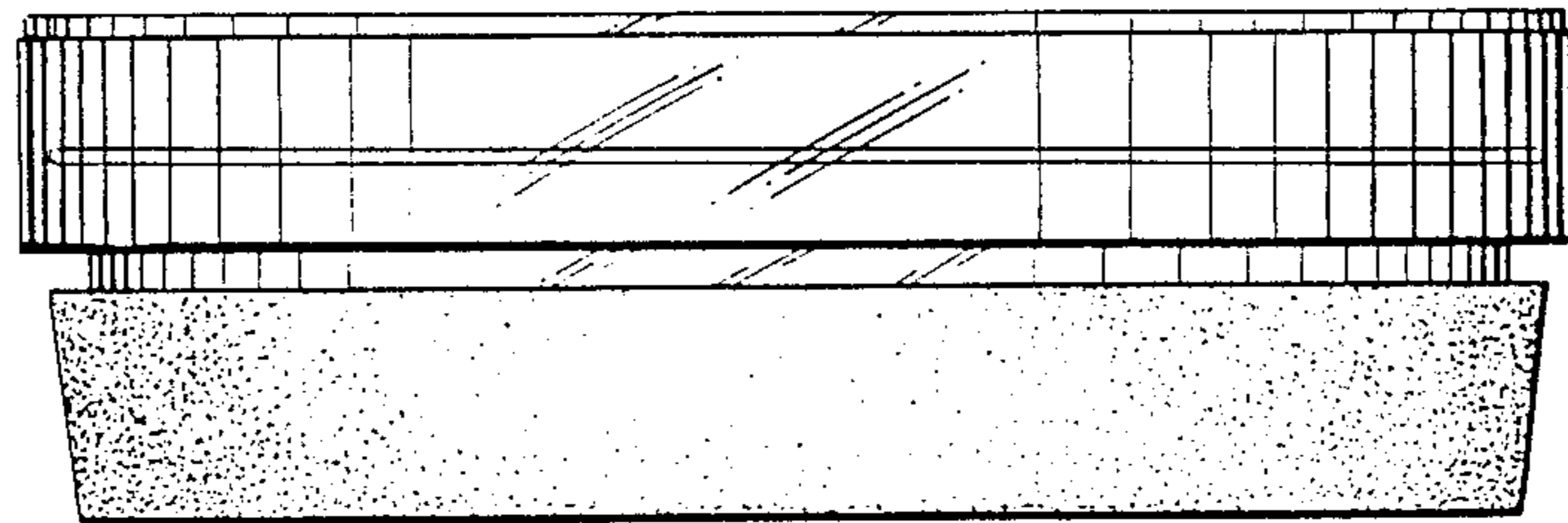


FIG. 4

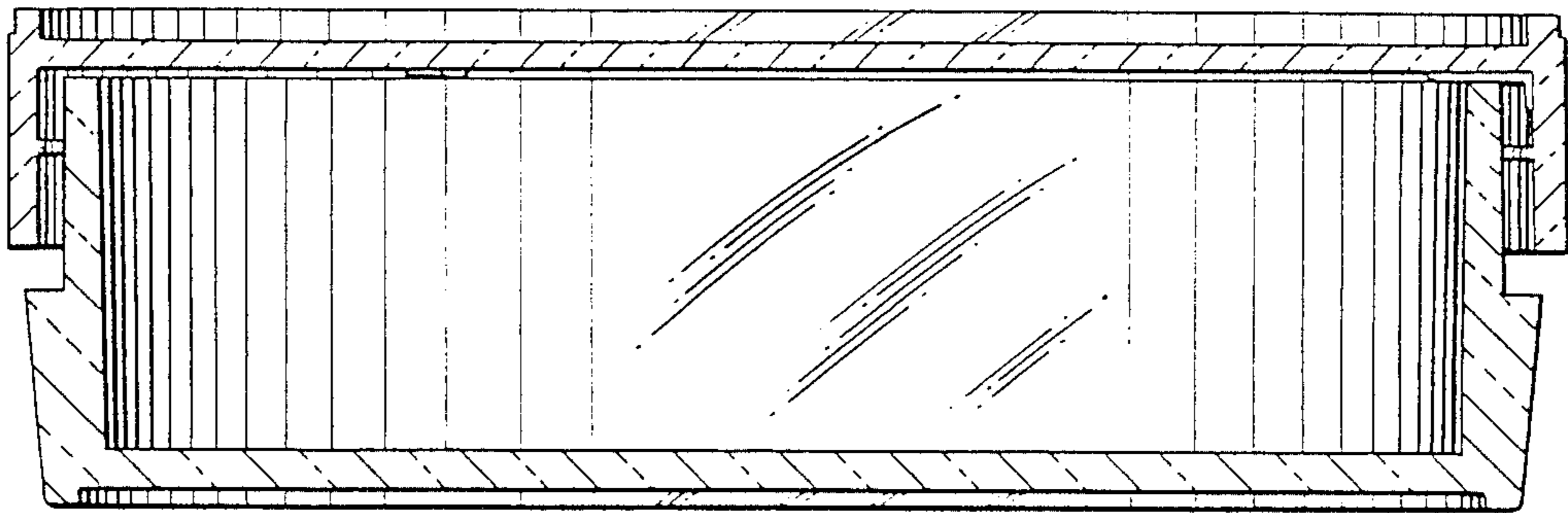


FIG. 5