

[54] COMBINED SURGICAL DOUBLE CHISEL
AND GUIDE

[76] Inventor: William J. Gazale, 12423 Henderson
Rd., Clifton, Va. 22024

[**] Term: 14 Years

[21] Appl. No.: 782,935

[22] Filed: Oct. 2, 1985

[52] U.S. Cl. D24/28; D24/26;
128/92 V

[58] Field of Search D24/26, 28, 16;
128/92 VT, 92 V, 305; 128/92

[56] References Cited

U.S. PATENT DOCUMENTS

4,476,861 10/1984 Dimakos et al. 128/92 VT X
4,586,496 5/1986 Keller 128/92 V

FOREIGN PATENT DOCUMENTS

0735251 6/1980 U.S.S.R. 128/92 V
0202970 10/1983 Fed. Rep. of Germany ... 128/92 V

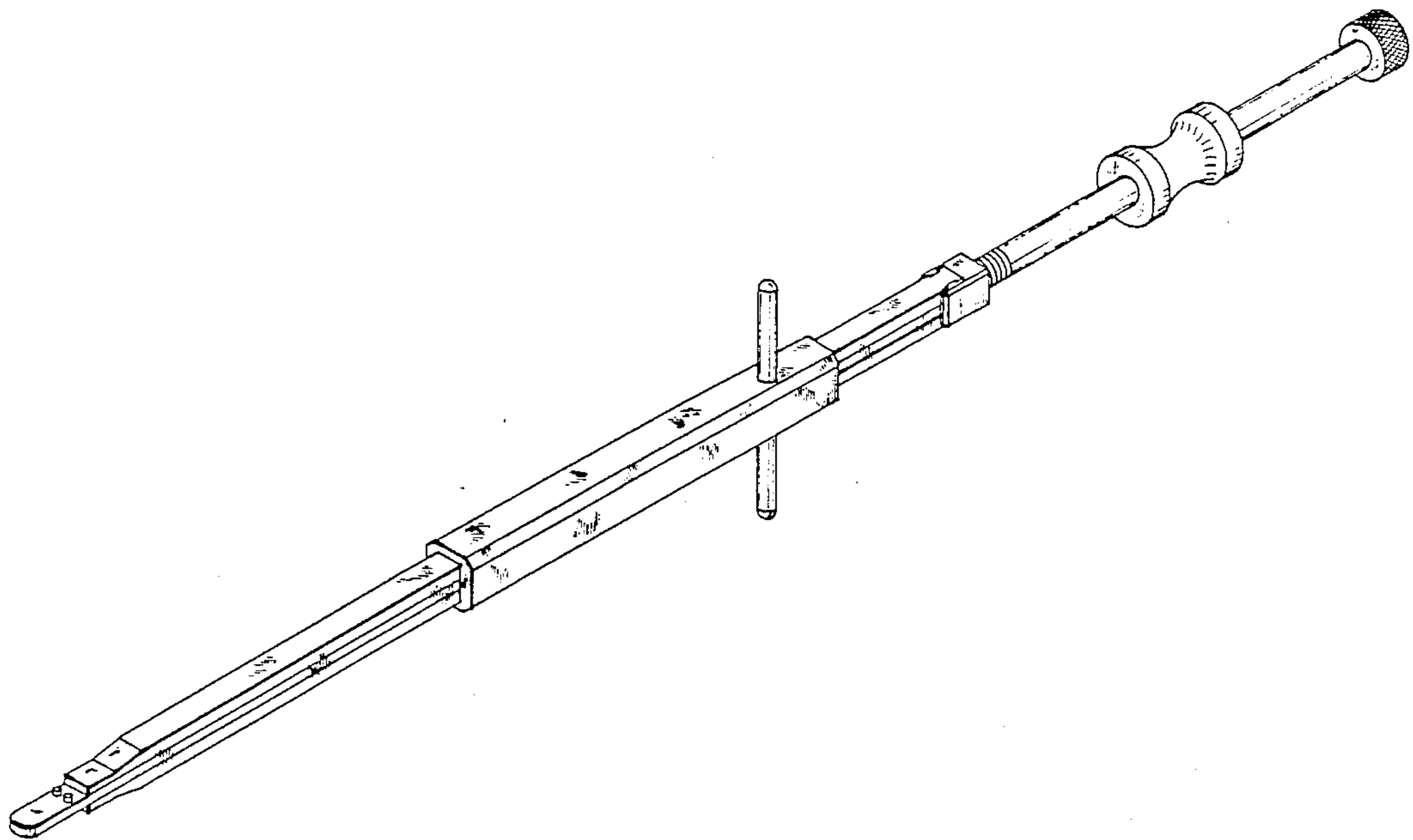
Primary Examiner—Susan J. Lucas
Assistant Examiner—Stella M. Reid
Attorney, Agent, or Firm—R. Martin Oliveras

[57] CLAIM

The ornamental design for a combined surgical double chisel and guide, as shown.

DESCRIPTION

FIG. 1 is a perspective view of a combined surgical double chisel and guide showing my new design; FIG. 2 is a side elevational view thereof; FIG. 3 is a top plan view thereof; FIG. 4 is a front elevational view thereof; and FIG. 5 is a rear elevational view thereof.



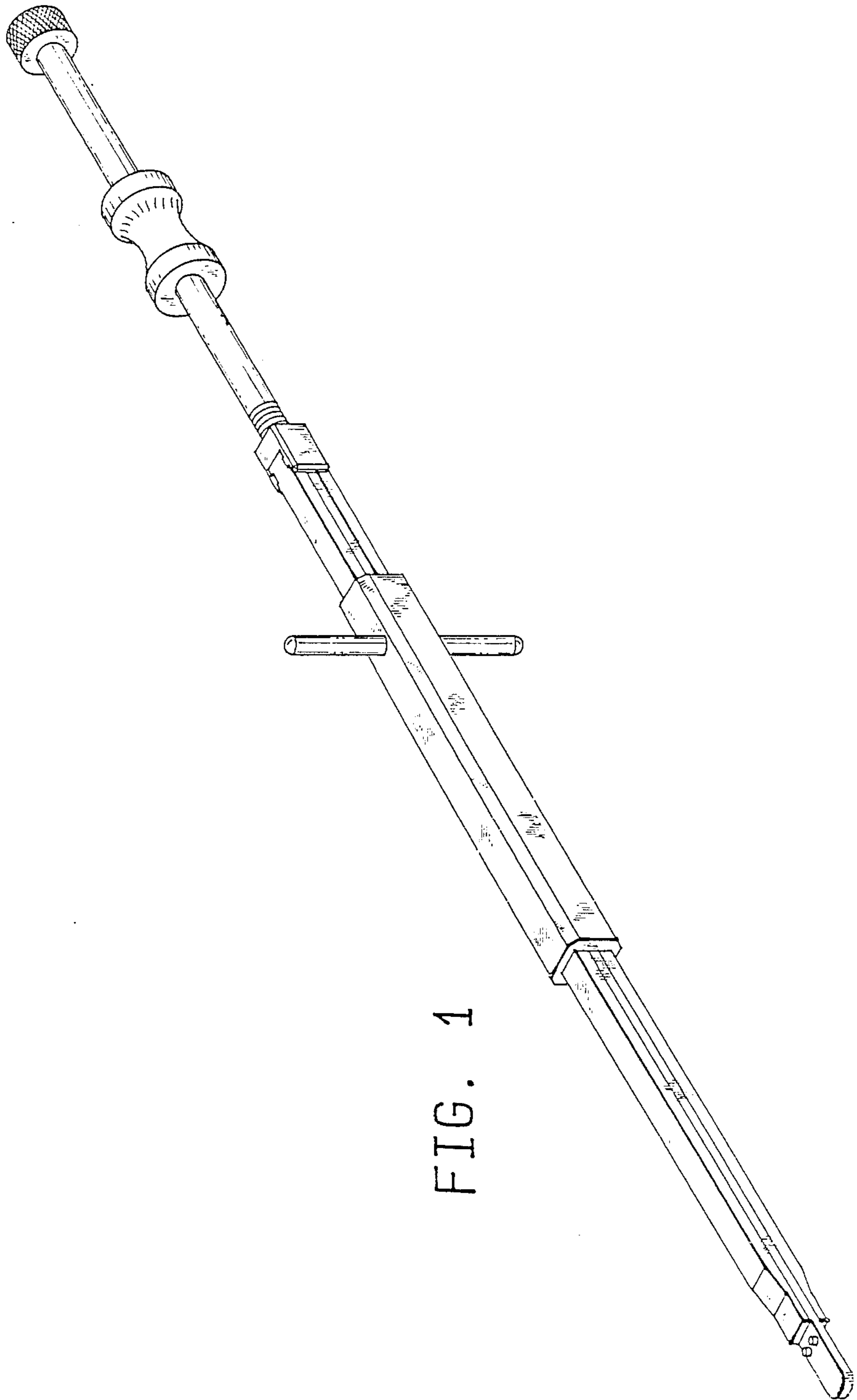


FIG. 1

FIG. 2

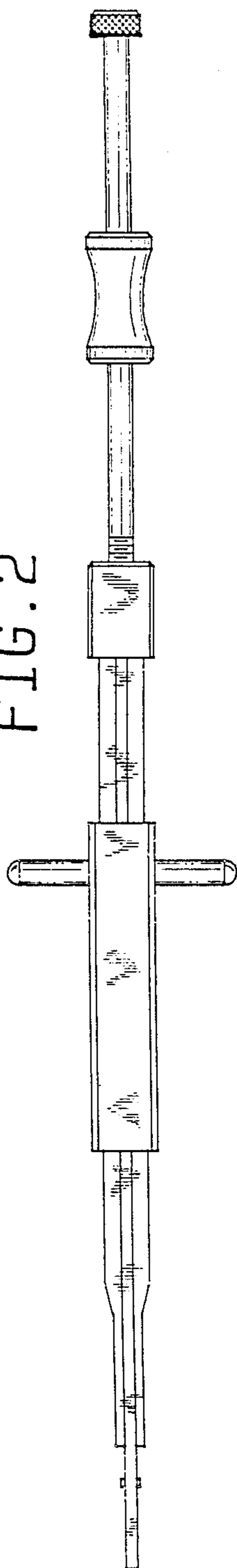


FIG. 3

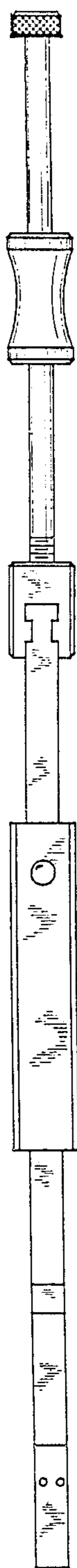


FIG. 5

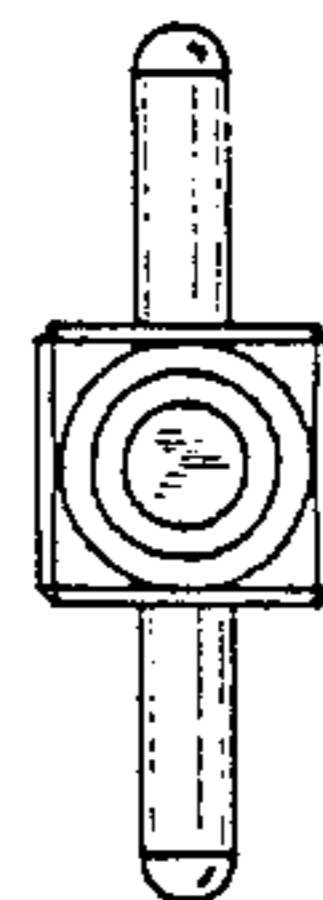


FIG. 4

