

United States Patent [19]

Powell

[11] Patent Number: Des. 295,316

[45] Date of Patent: ** Apr. 19, 1988

[54] SURGICAL STAPLER

[75] Inventor: August L. Powell, Livonia, Minn.

[73] Assignee: Minnesota Mining and Manufacturing Company, Saint Paul, Minn.

[**] Term: 14 Years

[21] Appl. No.: 785,570

[22] Filed: Oct. 8, 1985

[52] U.S. Cl. D24/27; D24/26

[58] Field of Search D24/27, 26, 28; 128/334 R, 305, 335, 337; 227/19, DIG. 1, 123-127, 129-134, 83, 120, 110; D8/48, 49, 50, 51, 68

[56] References Cited

U.S. PATENT DOCUMENTS

D. 277,029 1/1985 Blake, III et al. D24/26

D. 282,400 1/1986 Guy et al. D24/26
4,470,532 9/1984 Froehlich 227/19

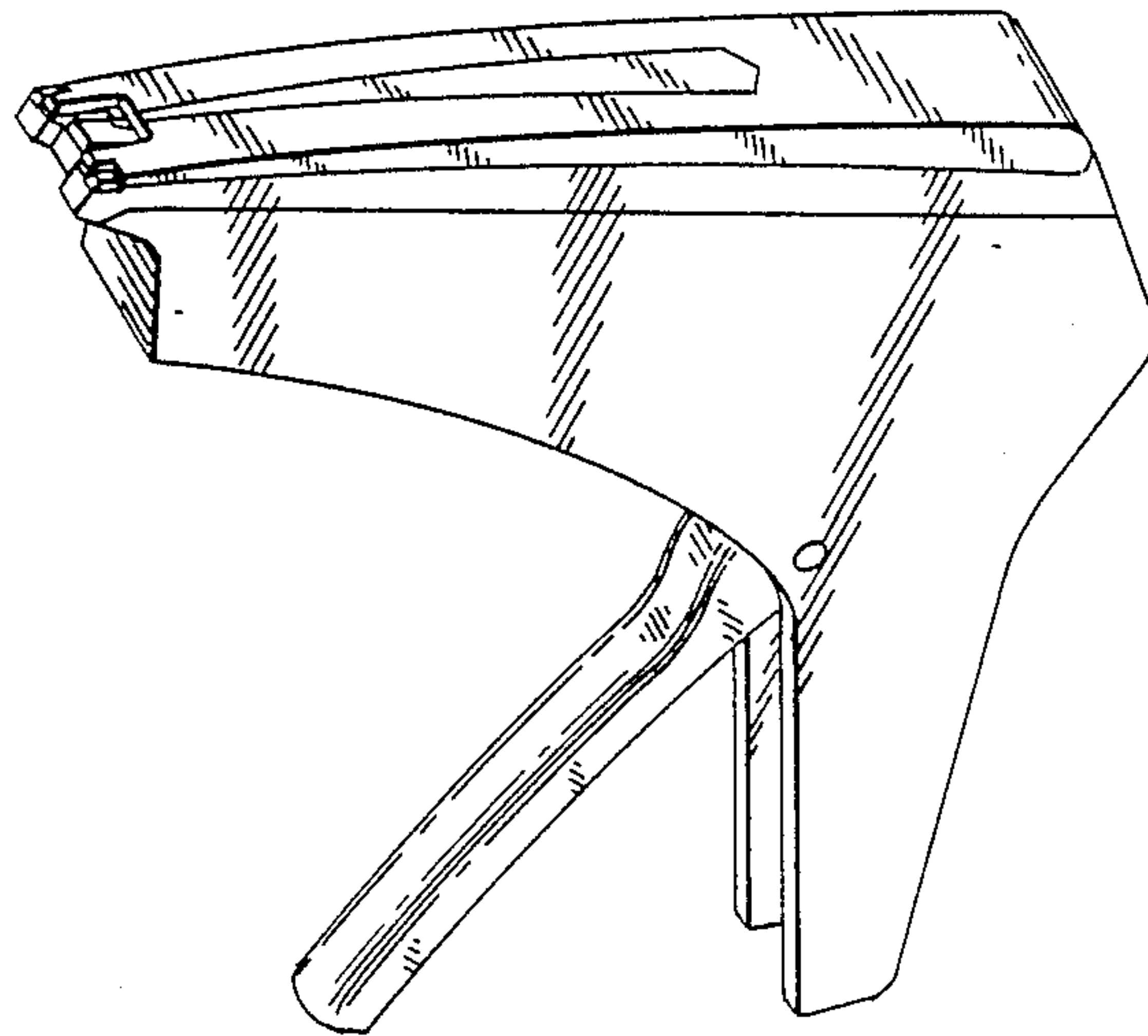
Primary Examiner—Susan J. Lucas
Assistant Examiner—Stella M. Reid
Attorney, Agent, or Firm—Donald M. Sell; James A. Smith; William L. Huebsch

[57] CLAIM

The ornamental design for a surgical stapler, as shown and described.

DESCRIPTION

FIG. 1 is a perspective view of a surgical stapler showing my new design;
FIG. 2 is a right side view thereof, the left side view being a mirror image thereof;
FIG. 3 is a front view thereof;
FIG. 4 is a top plan view thereof;
FIG. 5 is a rear view thereof; and
FIG. 6 is a bottom plan view thereof.



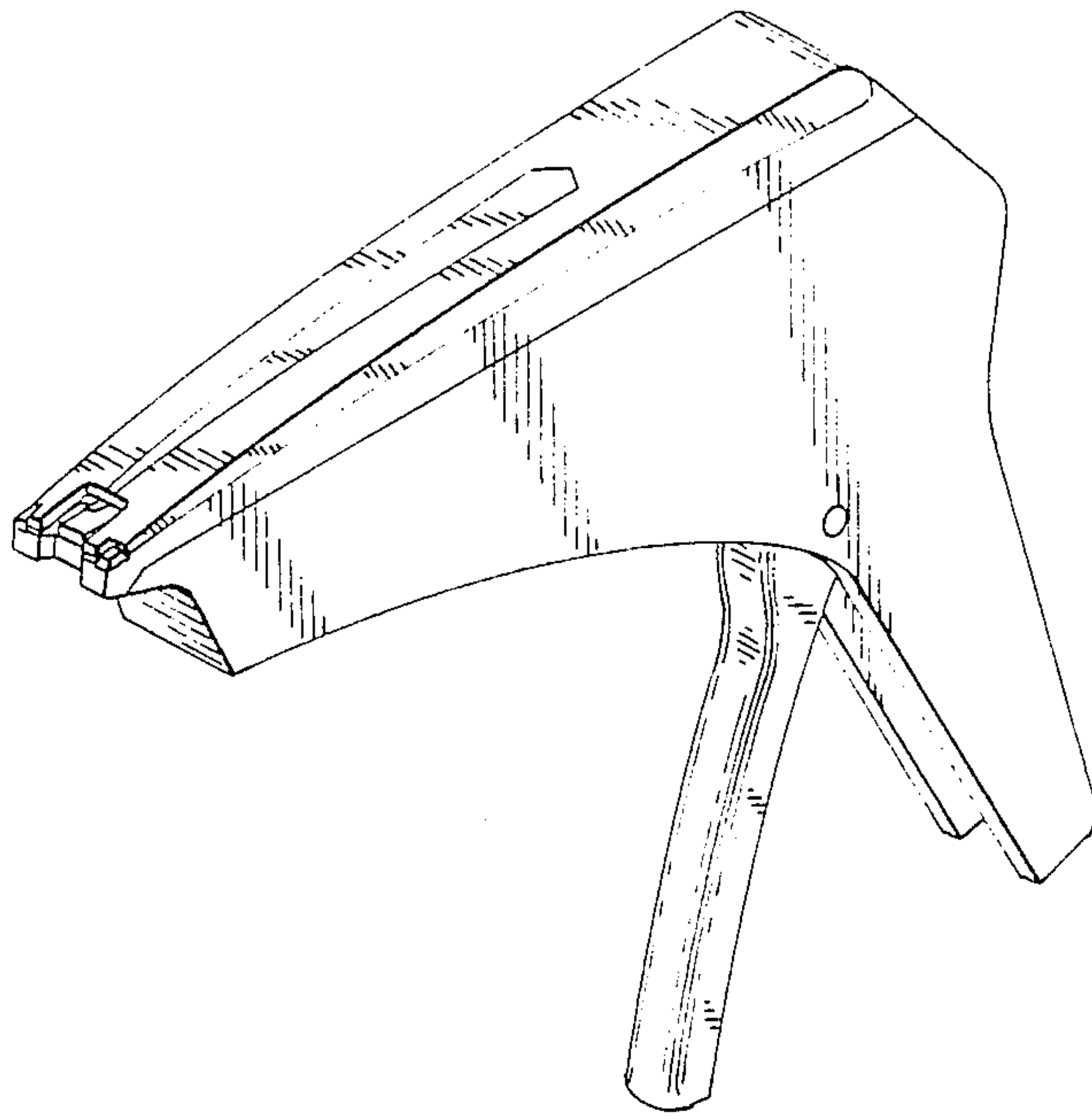


FIG. 1



FIG. 3

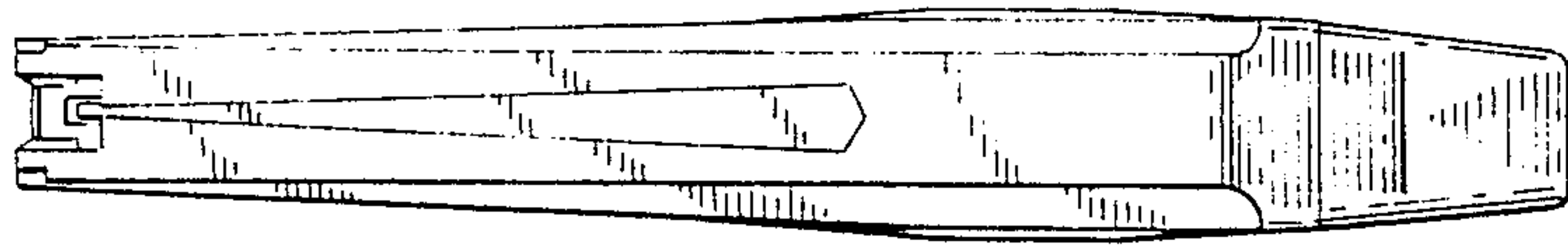


FIG. 4

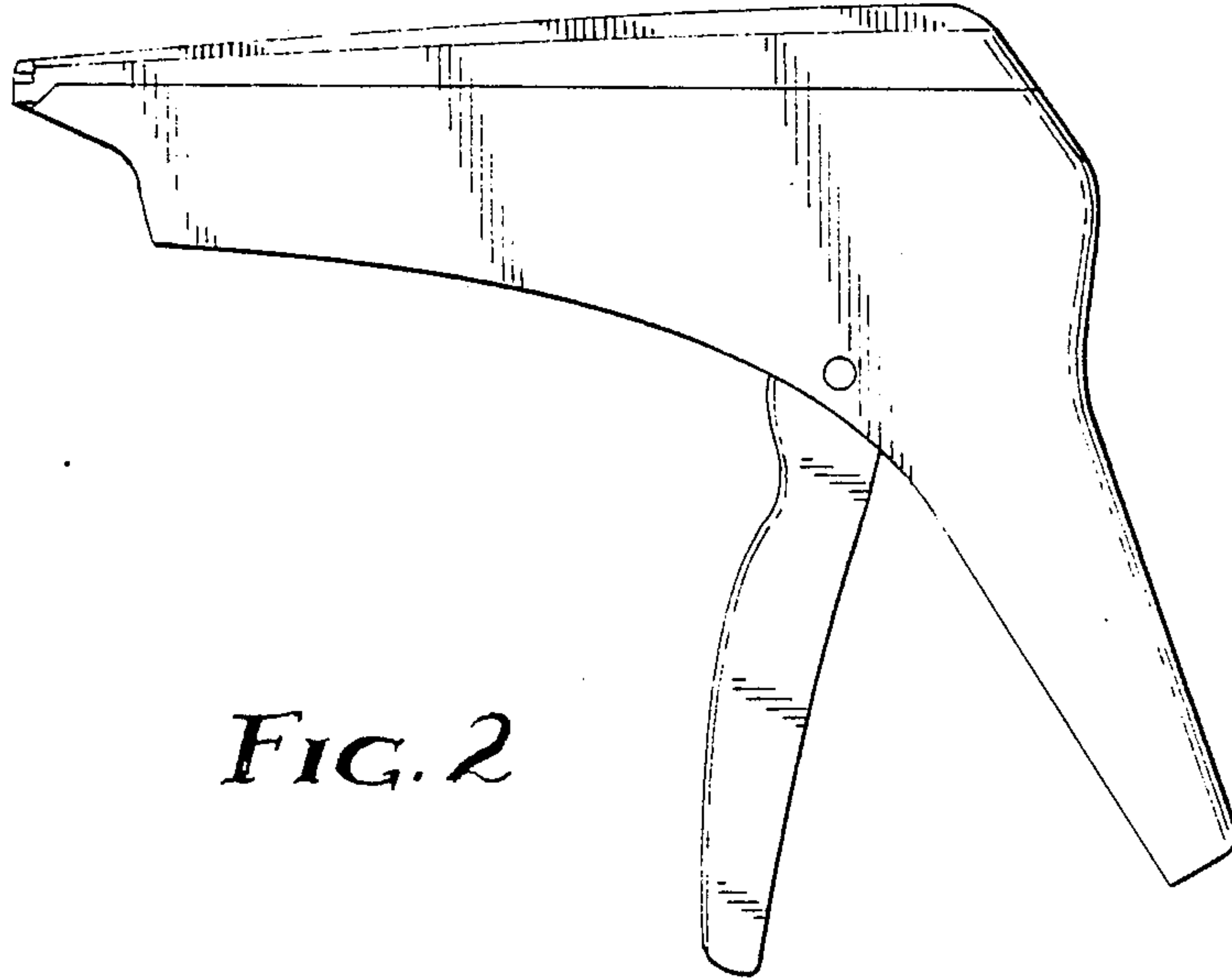


FIG. 2

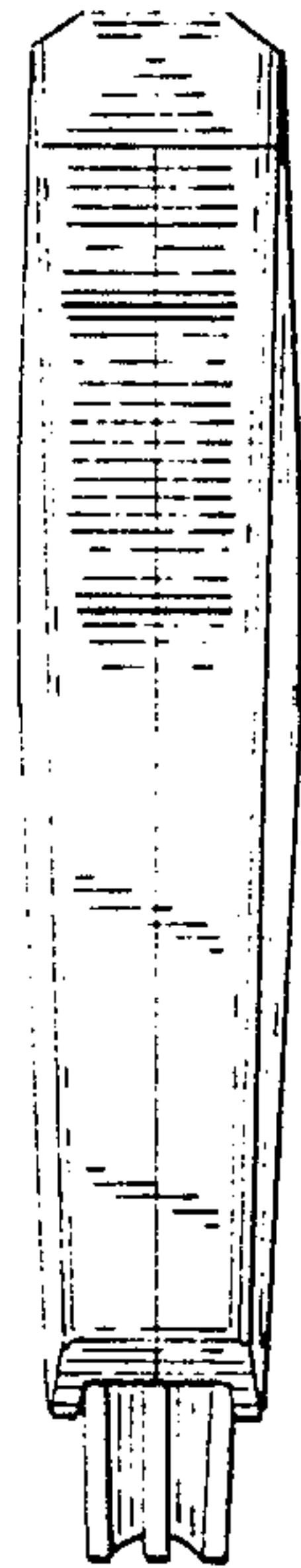


FIG. 5

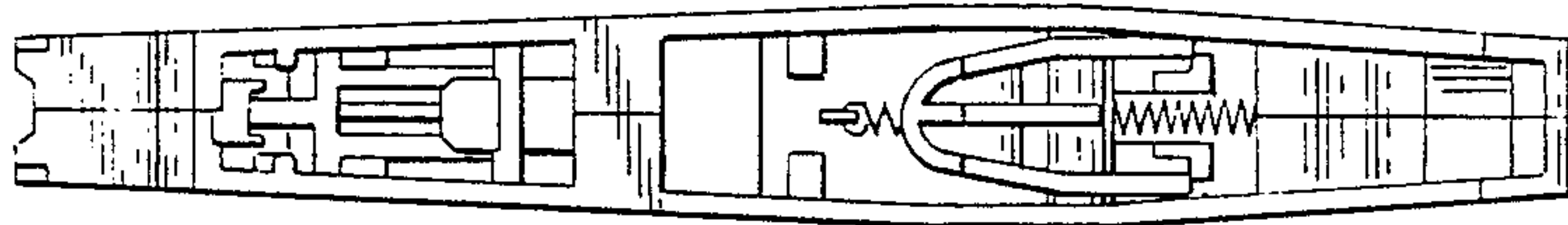


FIG. 6