

[54] UNIVERSAL SYRINGE HOLDER

[75] Inventor: Denis H. Nelson, Poway, Calif.

[73] Assignee: Fisher Scientific Group, San Diego, Calif.

[\*\*] Term: 14 Years

[21] Appl. No.: 810,475

[22] Filed: Dec. 18, 1985

[52] U.S. Cl. .... D24/25; D8/394

[58] Field of Search ..... D24/25, 29; 604/240, 604/241, 181, 250, 253, 245, 246, 186, 187; 248/316.7, 316.1, 225.31; D8/394, 396

[56] References Cited

U.S. PATENT DOCUMENTS

2,393,576	1/1946	Thomas	604/181
2,491,978	12/1949	Helfman et al.	604/181
2,644,450	7/1953	Krewson	604/181

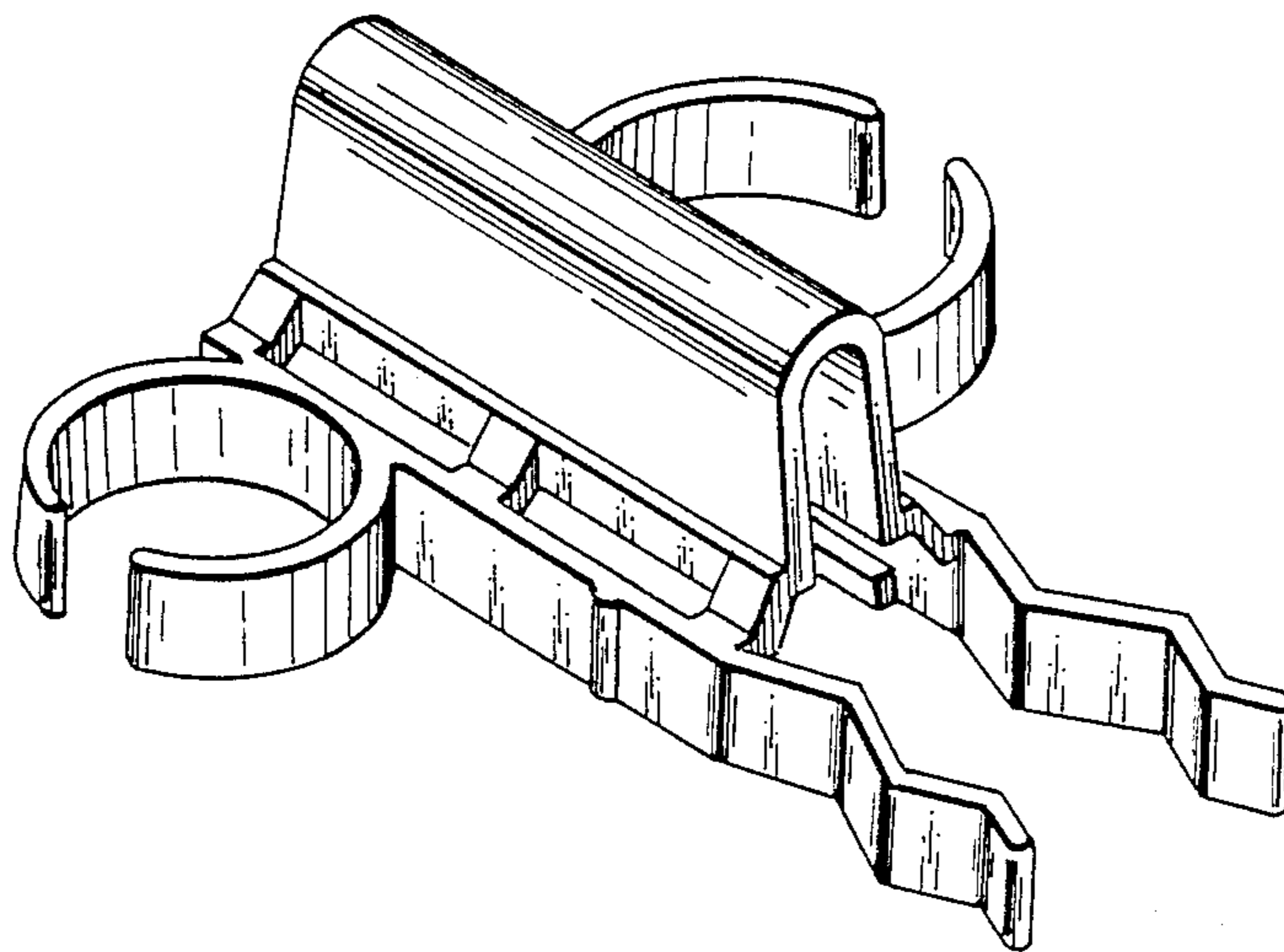
Primary Examiner—A. Hugo Word  
Assistant Examiner—Stella M. Reid  
Attorney, Agent, or Firm—Workman, Nydegger & Jensen

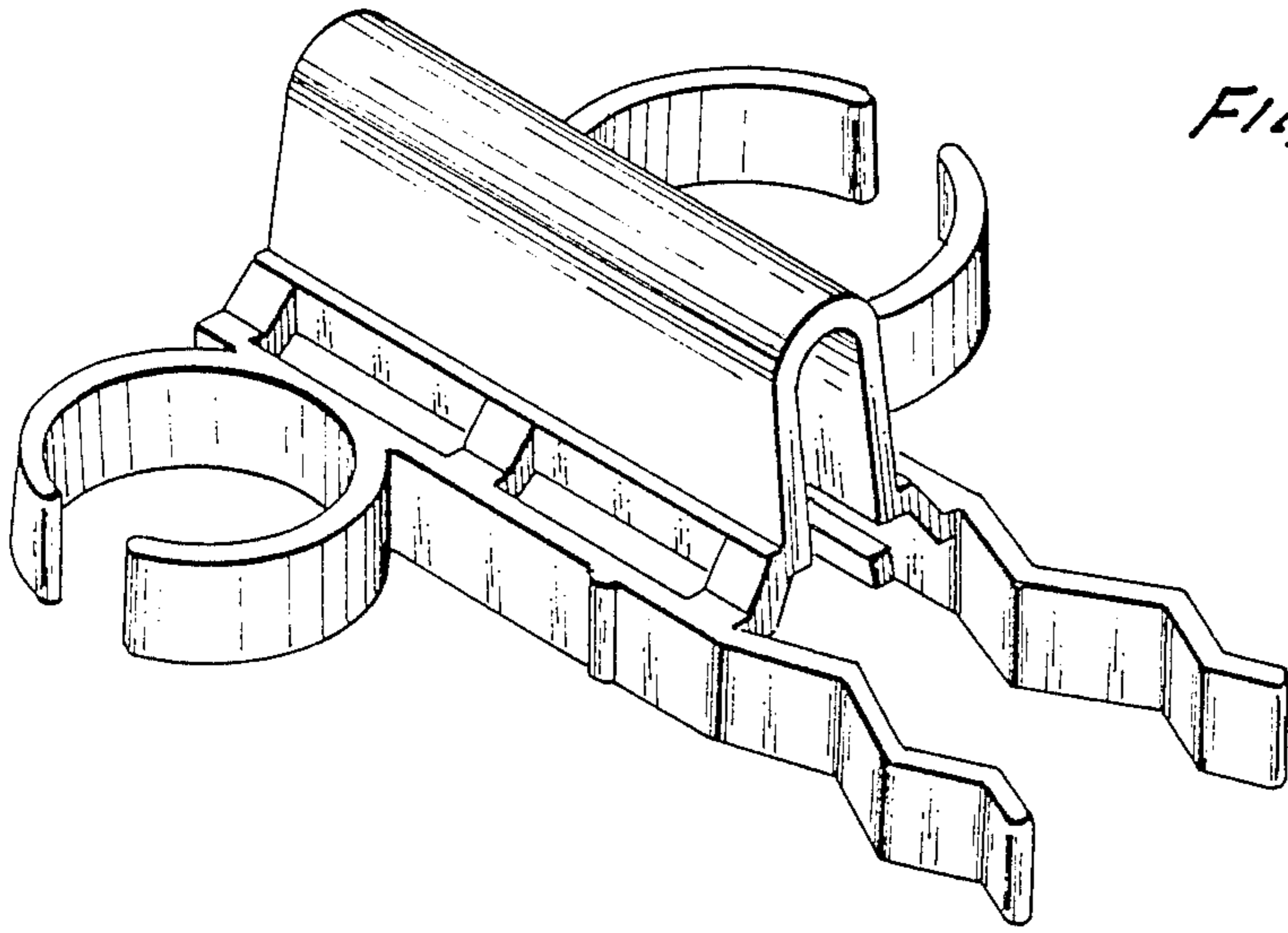
[57] CLAIM

The ornamental design for a universal syringe holder, substantially as shown.

DESCRIPTION

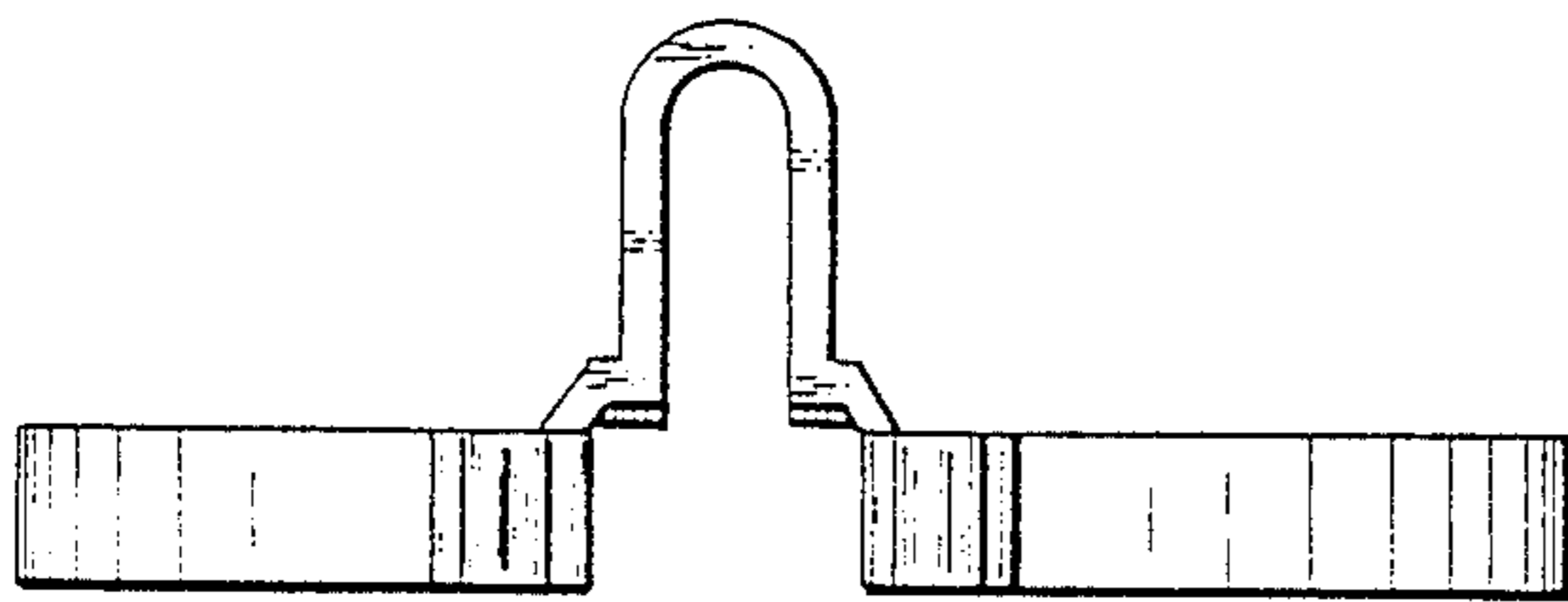
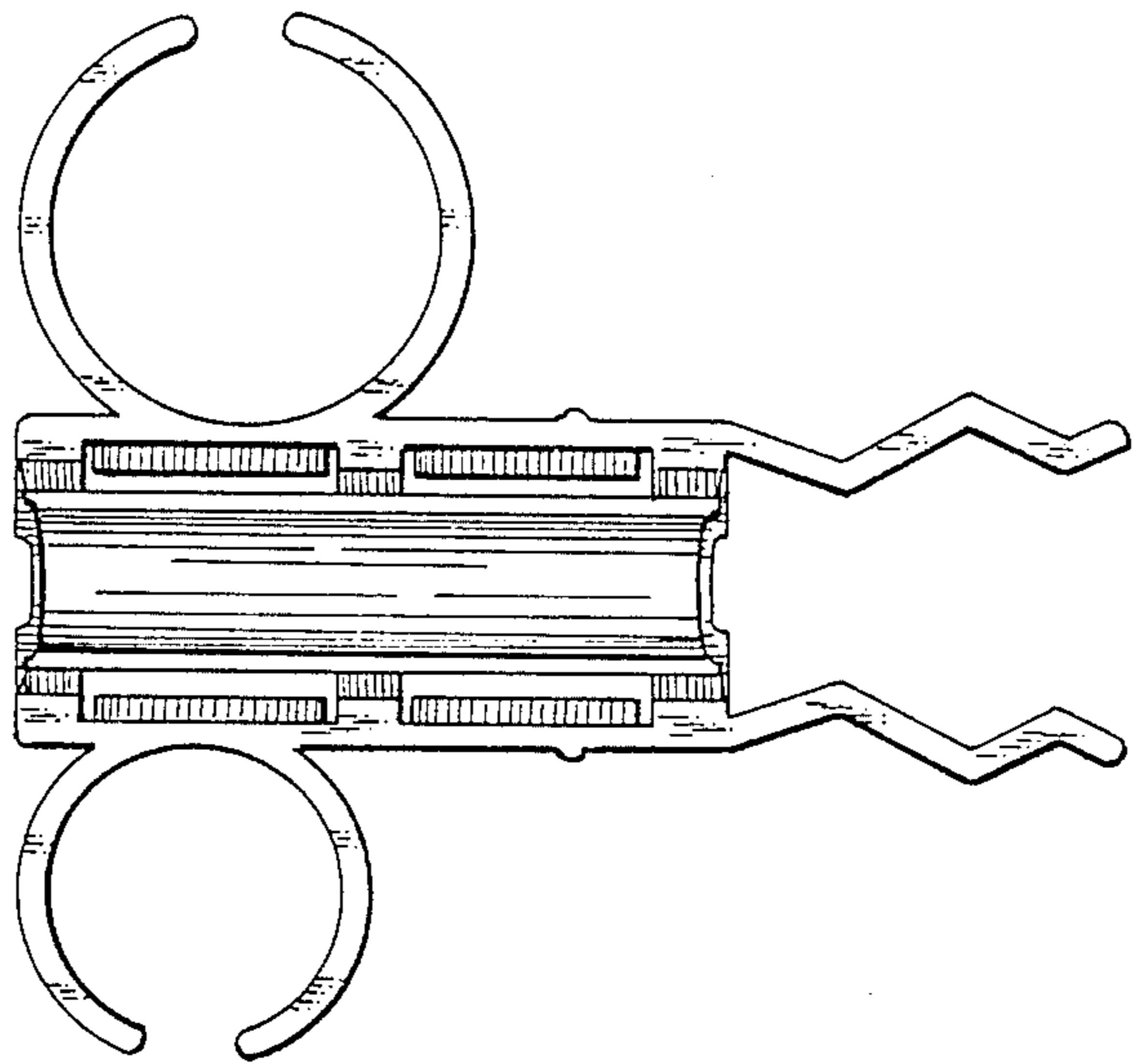
FIG. 1 is a perspective view of a universal syringe holder showing my new design; FIG. 2 is a top plan view of the syringe holder; FIG. 3 is a rear elevational view of the syringe holder; FIG. 4 is a left side elevational view of the syringe holder; FIG. 5 is a right side elevational view of the syringe holder; FIG. 6 is a bottom view of the syringe holder; and FIG. 7 is a front elevational view of the syringe holder.





*Fig. 1*

*Fig. 2*



*Fig. 3*

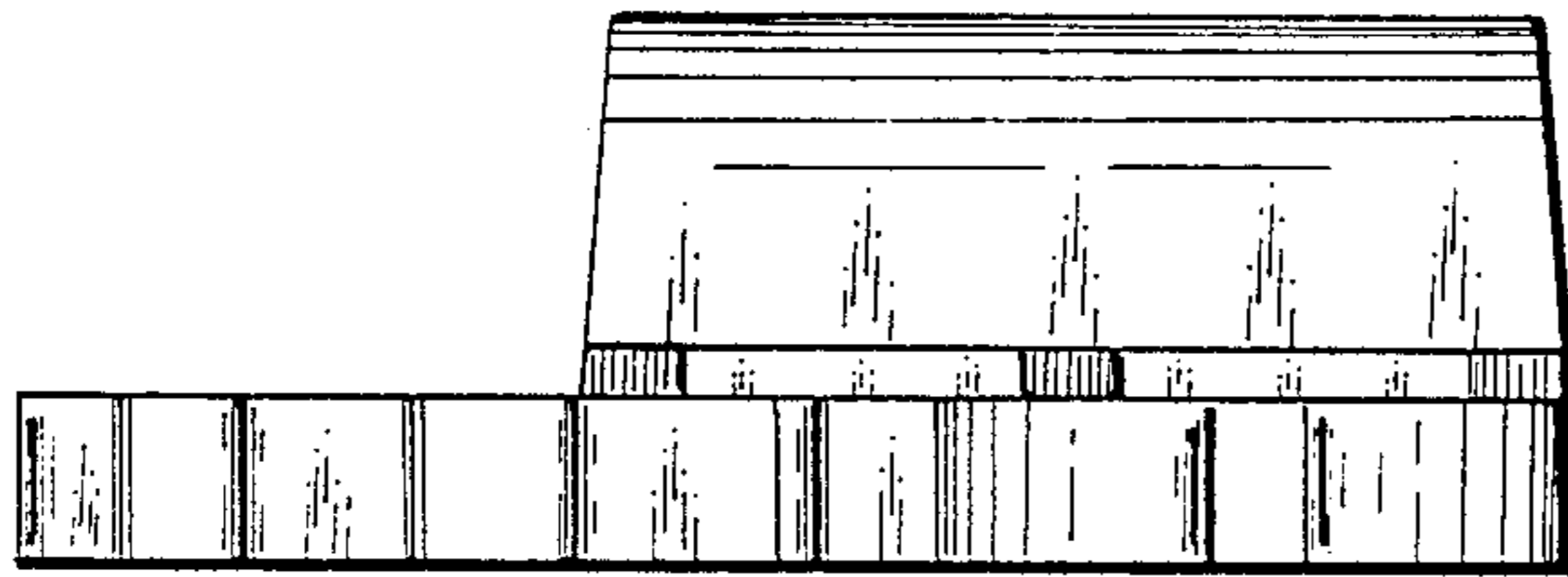


FIG. 4

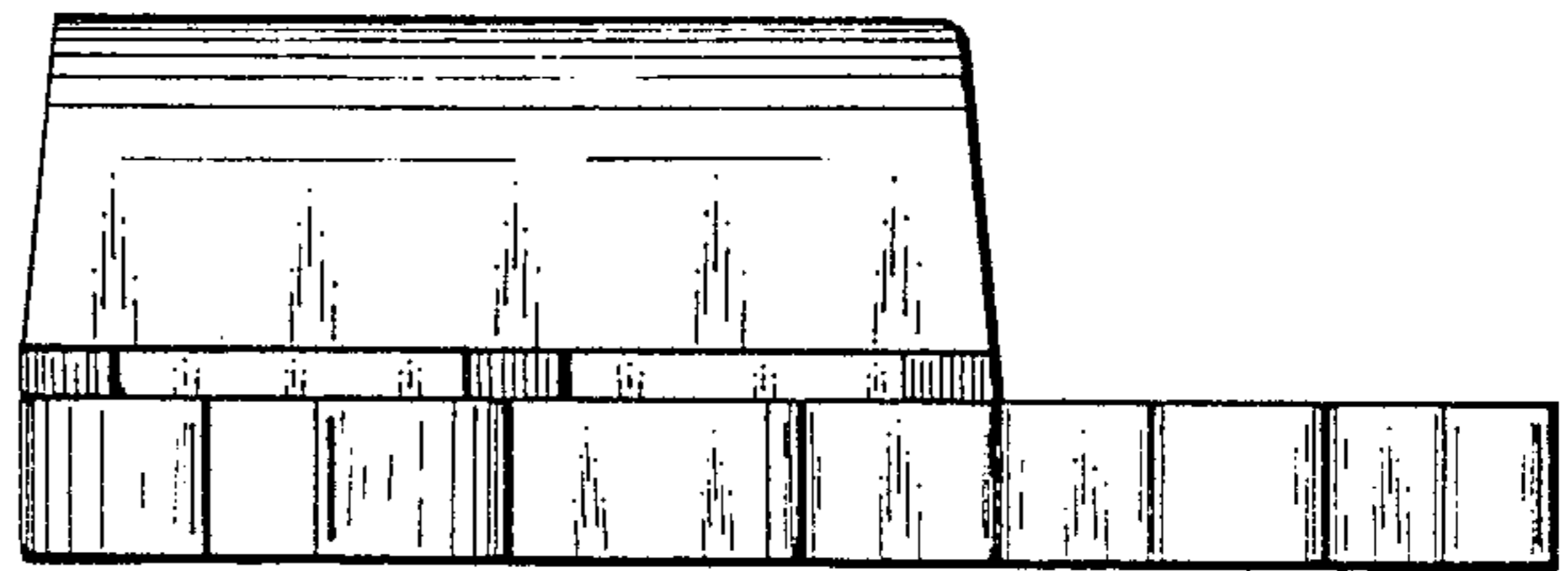


FIG. 5

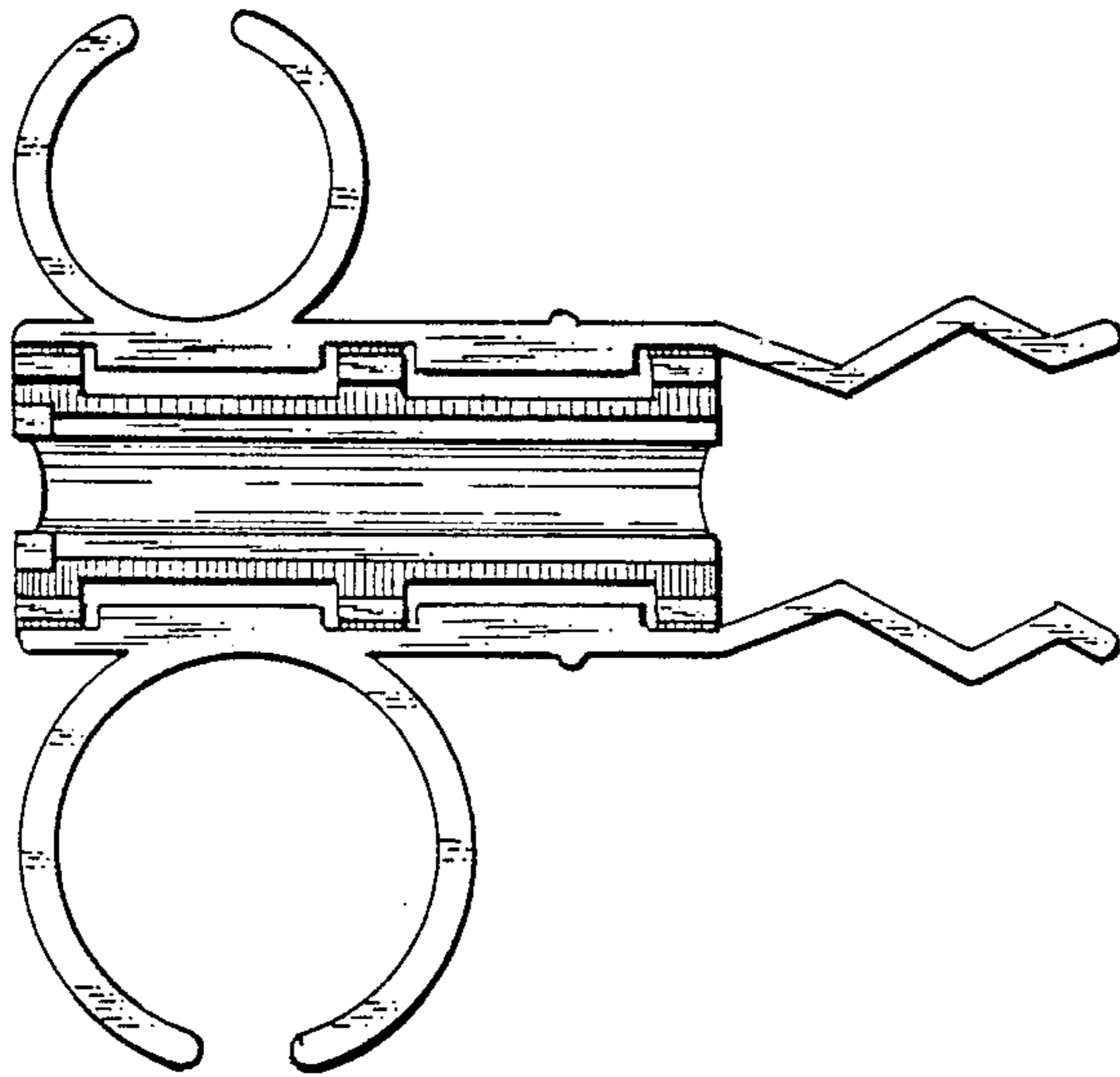


FIG. 6

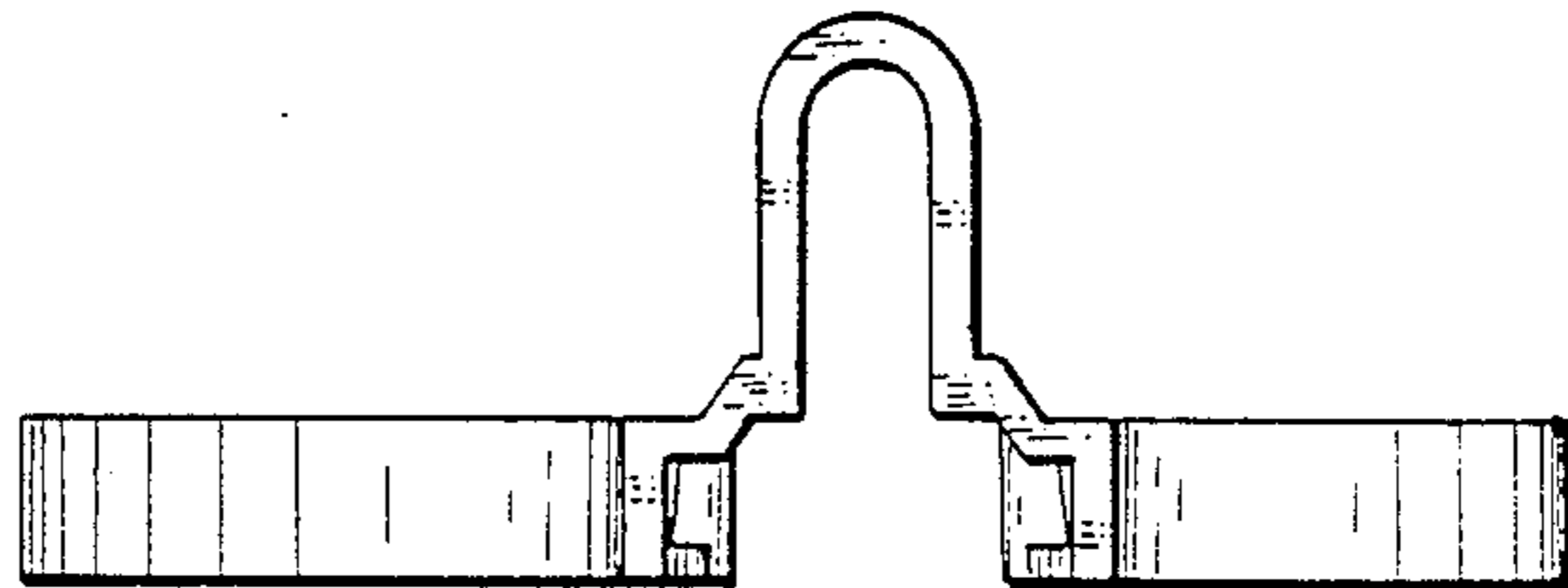


FIG. 7