

[54] SCREEN FRAME FOR VEHICLE ROOFTOP VENTILATORS

[76] Inventor: Timothy J. Barnett, 2868 Skywood Cir., Anaheim, Calif. 92804

[**] Term: 14 Years

[21] Appl. No.: 794,430

[22] Filed: Nov. 4, 1985

[52] U.S. Cl. D23/373; D23/386; D25/60; D12/183

[58] Field of Search D23/4, 149; D25/53, D25/60, 76; 98/2; 210/483, 485; 55/DIG. 31, 508

[56] References Cited

U.S. PATENT DOCUMENTS

D. 223,487	4/1972	Brashear	D25/60
3,170,507	2/1965	Kleinknecht	160/369
3,587,443	6/1971	Rapport	98/114

3,999,969	12/1976	Shuler	55/508 X
4,038,911	8/1977	Hart	98/2.14
4,059,528	11/1977	Grosshandler	210/282
4,104,825	8/1978	Hosmer	49/324
4,334,899	6/1982	McConnell	55/DIG. 31 X
4,600,419	7/1986	Mattison	55/508

Primary Examiner—Wallace R. Burke
Assistant Examiner—Brian N. Vinson
Attorney, Agent, or Firm—Gausewitz, Carr & Rothenberg

[57] CLAIM

The ornamental design for a screen frame for vehicle rooftop ventilators, substantially as shown and described.

DESCRIPTION

FIG. 1 is a top, front perspective view of a screen frame for vehicle rooftop ventilators, showing my new design; and
FIG. 2 is a bottom, rear perspective view thereof.

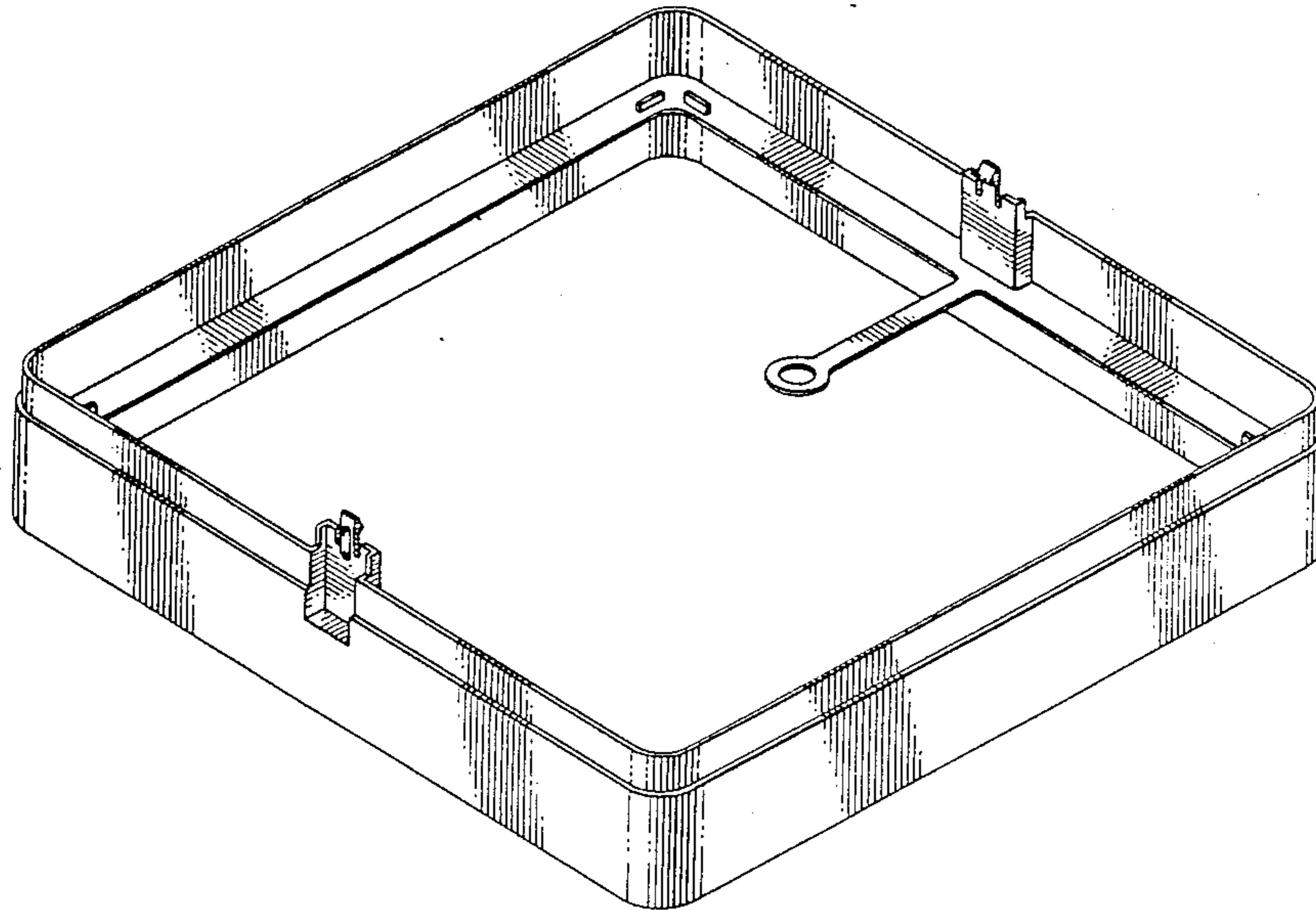


FIG. 1.

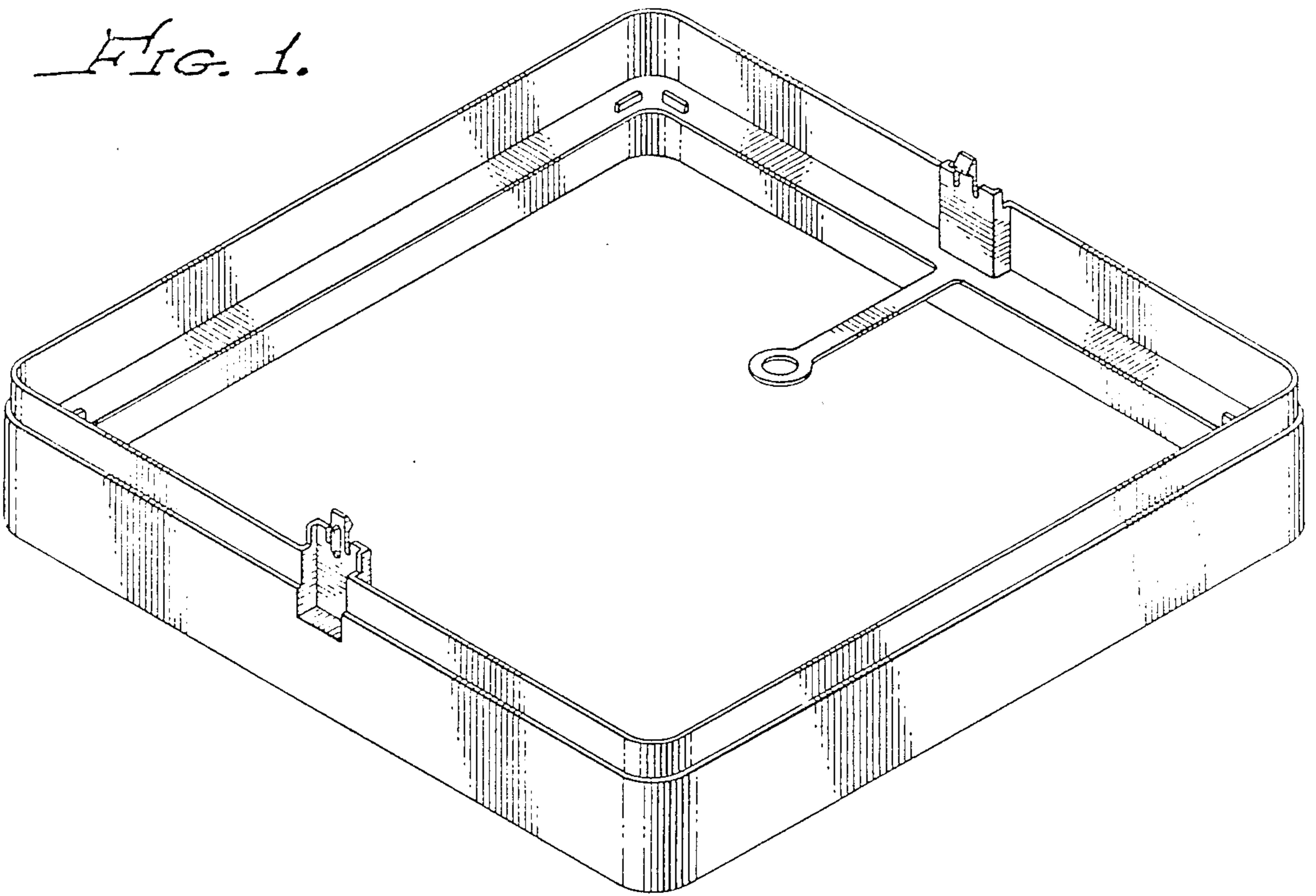


FIG. 2.

