

[54] OIL STOVE

[75] Inventor: Kunio Takahashi, Kamo, Japan  
[73] Assignee: Uchida Manufacturing Co., Ltd.,  
Sanjyo, Japan  
[ \* ] Notice: The portion of the term of this patent  
subsequent to Jan. 27, 2001 has been  
disclaimed.  
[\*\*] Term: 14 Years  
[21] Appl. No.: 469,909  
[22] Filed: Feb. 25, 1983  
[52] U.S. Cl. .... D23/338  
[58] Field of Search ..... D23/92, 93, 119-124;  
126/92-97

[56] **References Cited**  
**U.S. PATENT DOCUMENTS**  
D. 276,546 11/1984 Okamoto et al. .... D23/121

OTHER PUBLICATIONS

Hardware Age 13 Jul. 1980—p. 30—Corona Heater on  
left.  
Hardware Age—Jun. 1981—p. 65—Yuasa Heater  
J—50.  
*Primary Examiner*—Catherine E. Kemper  
*Attorney, Agent, or Firm*—Cushman, Darby & Cushman

[57] **CLAIM**

The ornamental design for an oil stove, substantially as  
shown.

**DESCRIPTION**

FIG. 1 is a perspective view of an oil stove, showing my  
new design;  
FIG. 2 is a front elevational view thereof;  
FIG. 3 is a rear elevational view thereof;  
FIG. 4 is a side elevational view thereof;  
FIG. 5 is an elevational view of the side opposite that  
shown in FIG. 4;  
FIG. 6 is a top plan view thereof;  
FIG. 7 is a bottom plan view thereof.

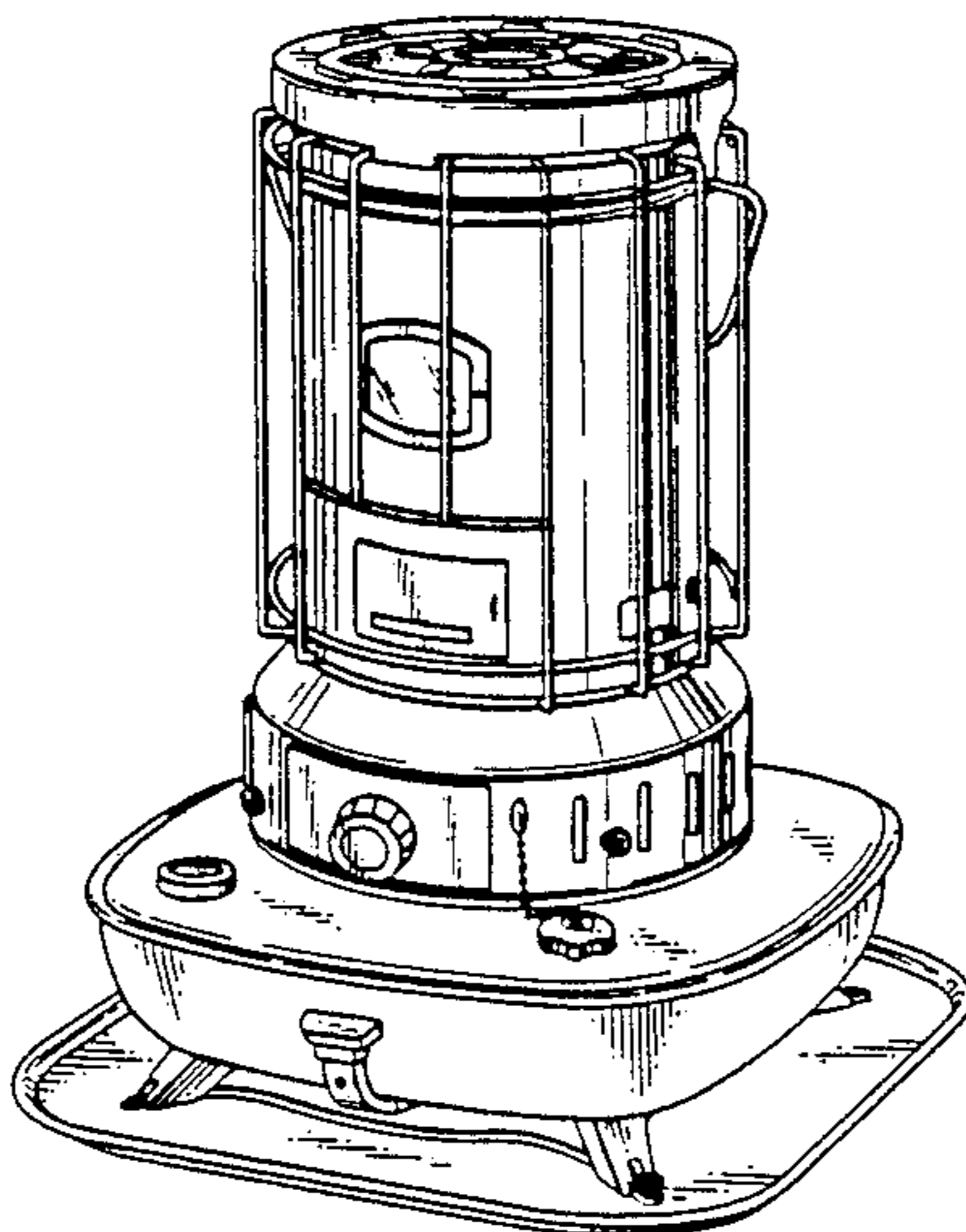


FIG. 1

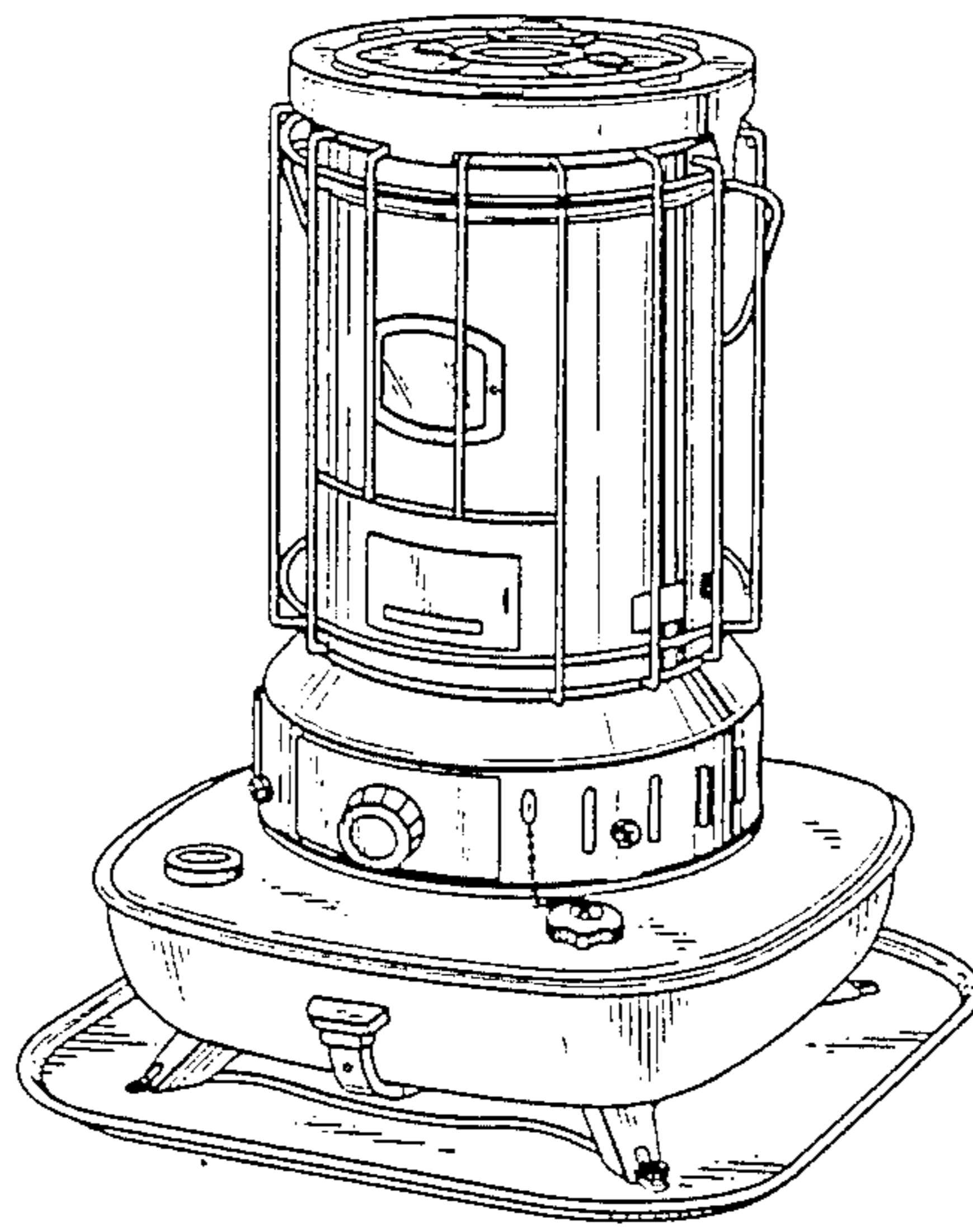


FIG. 2

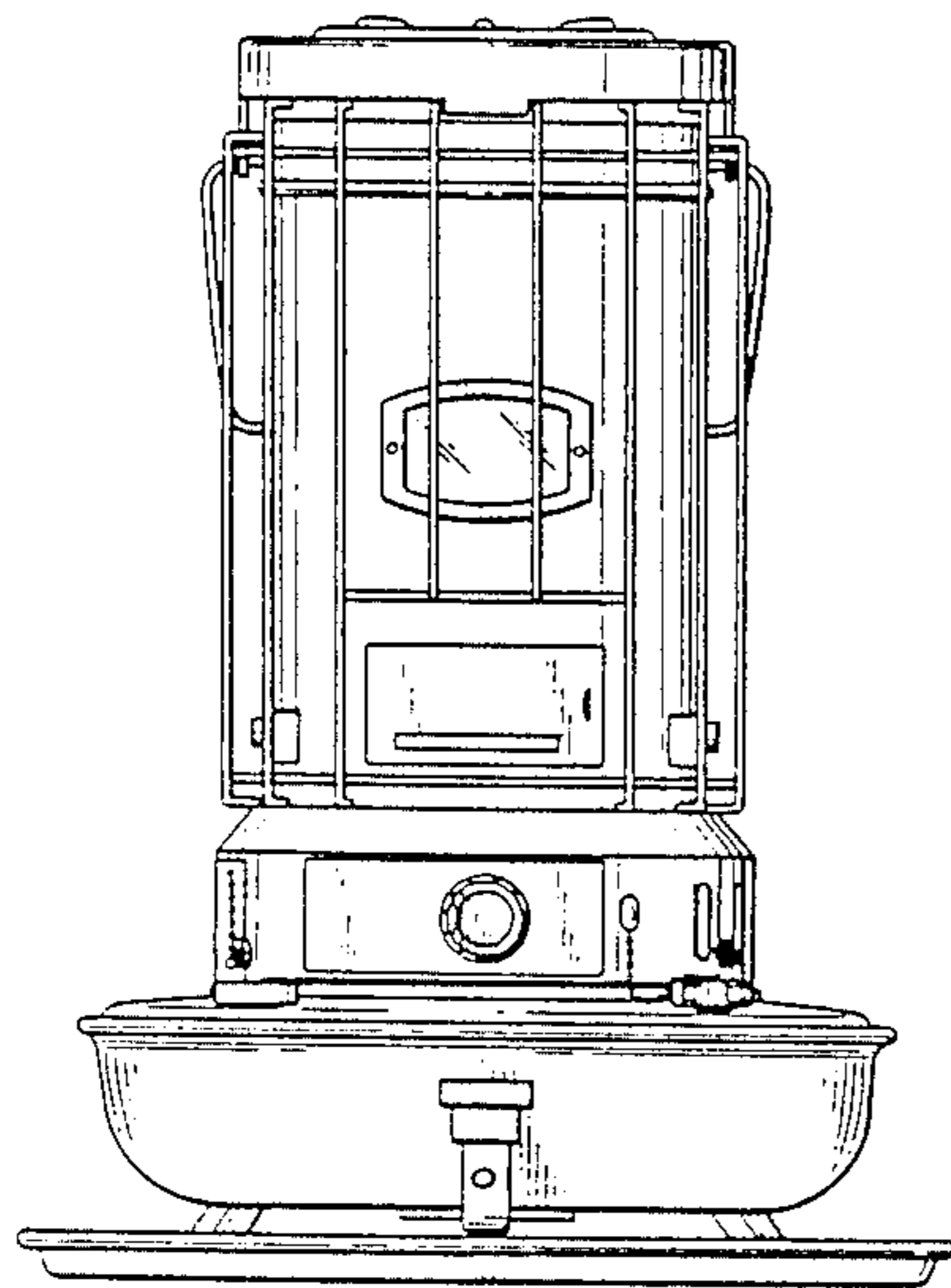


FIG. 3

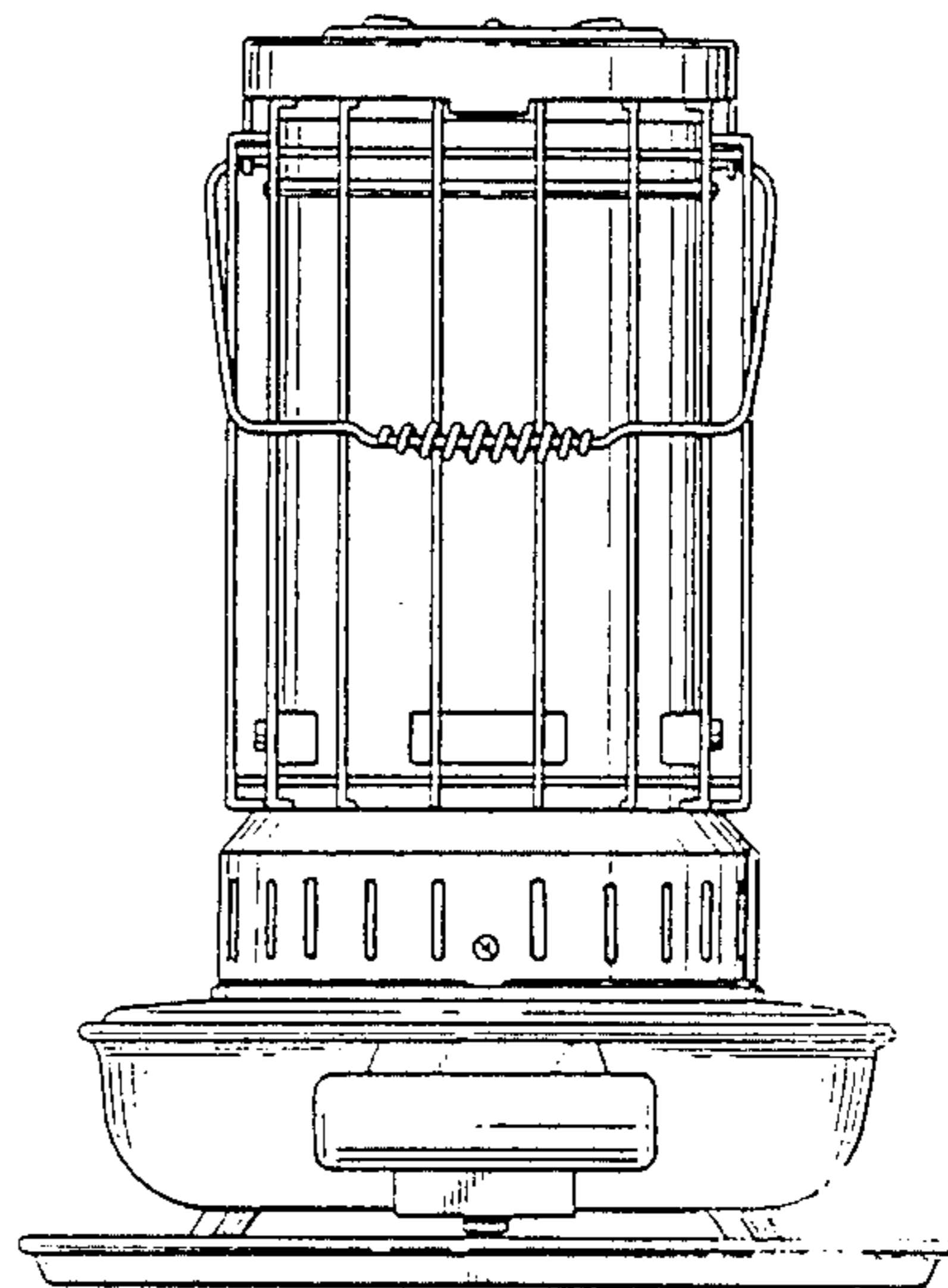


FIG. 4

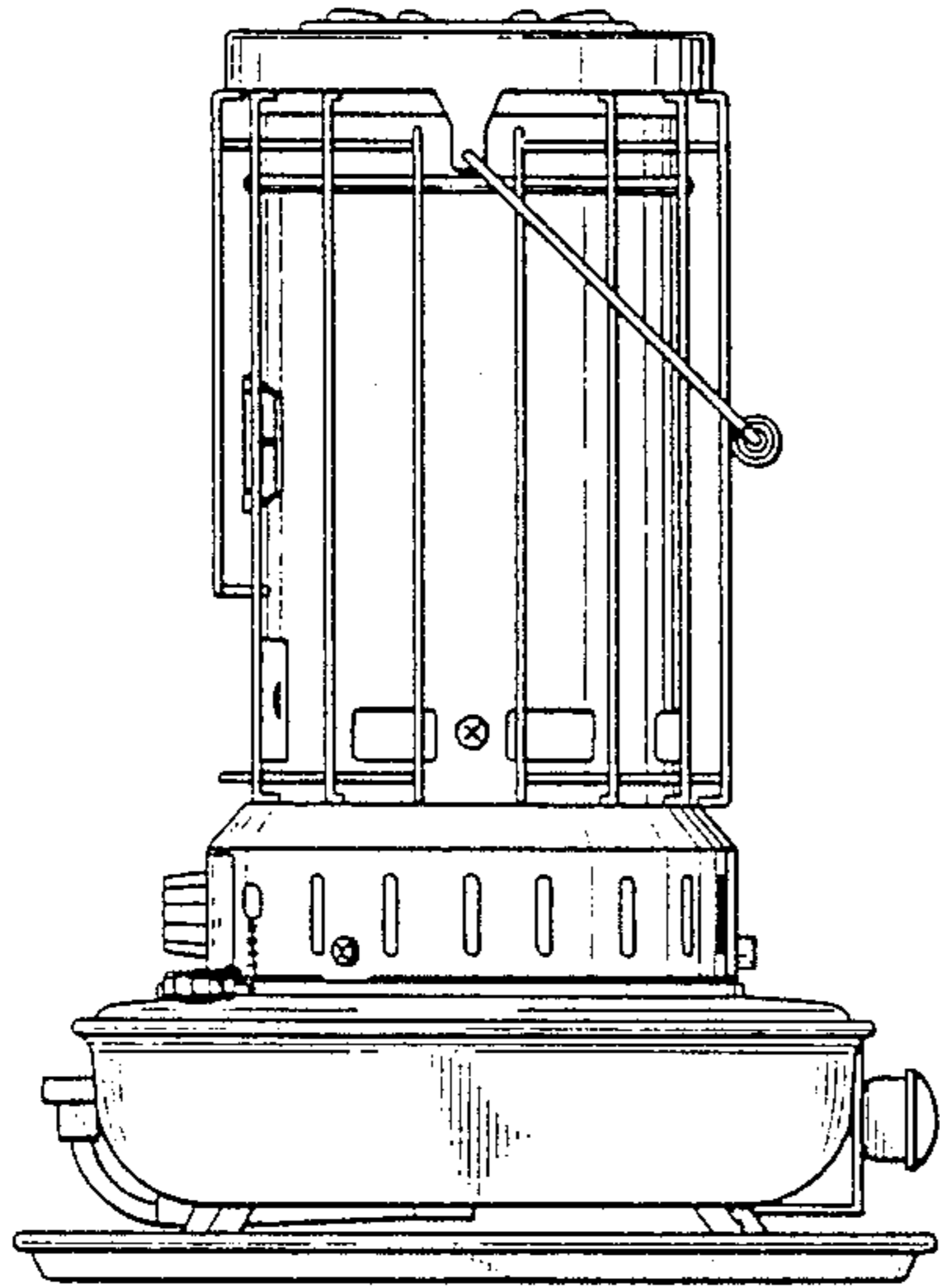


FIG. 5

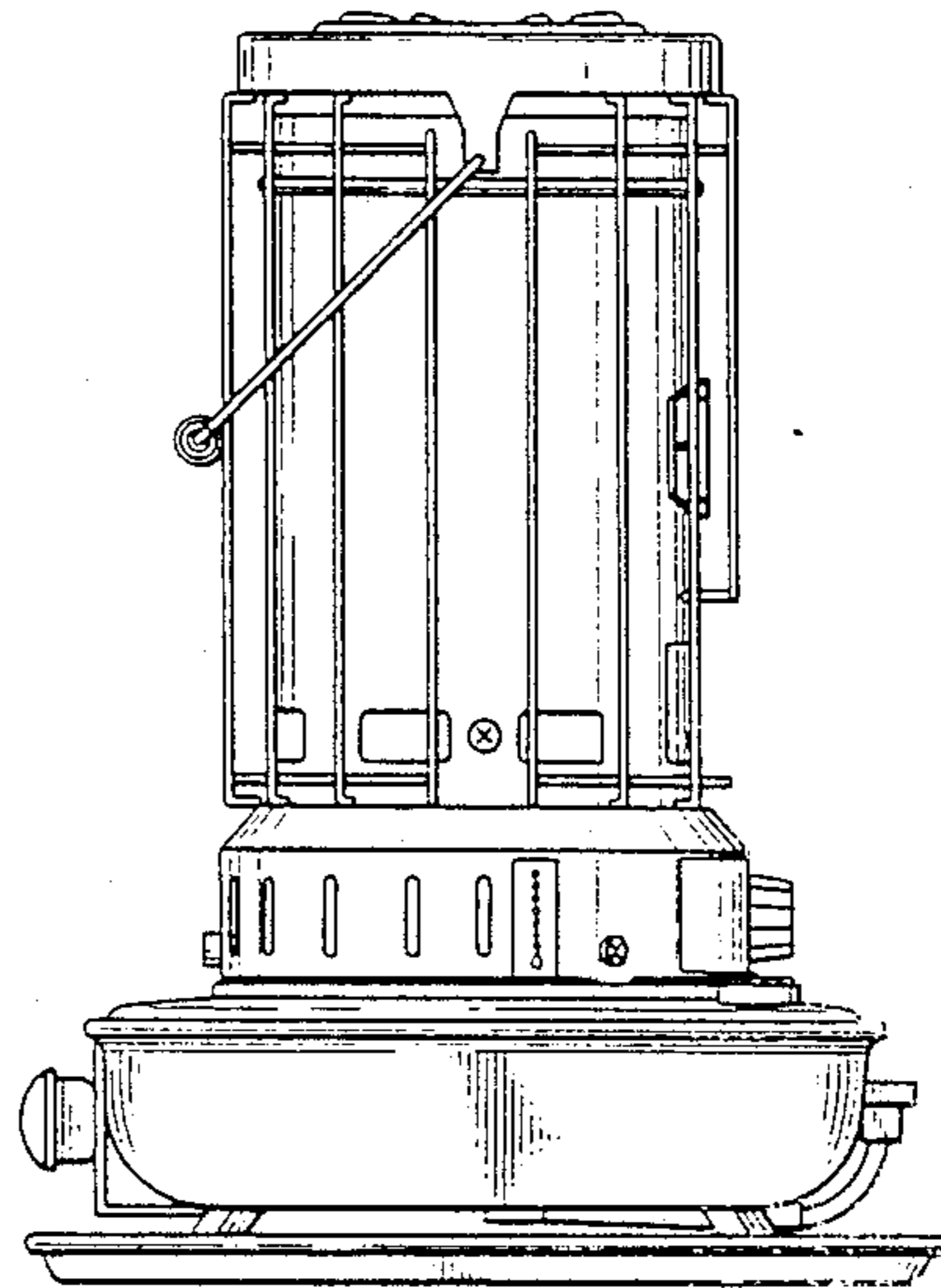


FIG. 6

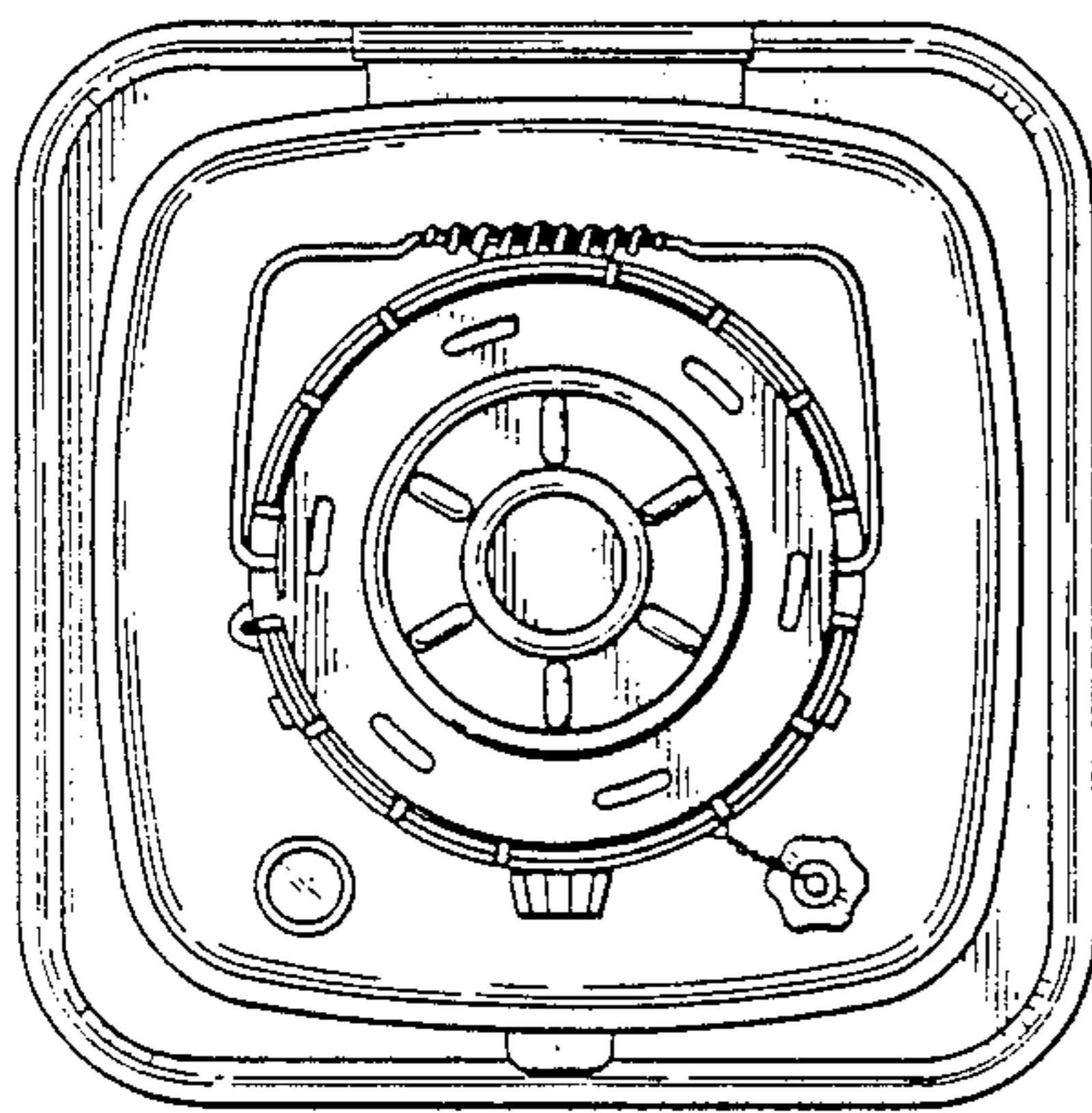


FIG. 7

