

[54] BATHTUB

D. 278,929 5/1985 Burgess et al. D23/282
4,340,039 7/1982 Hibbard et al. 4/542 X

[75] Inventors: John D. Burgess, Loretto; Thomas E. Taylor, Rexdale, both of Canada

Primary Examiner—James R. Largen
Attorney, Agent, or Firm—Ridout & Maybee

[73] Assignee: Acriform Engineering Inc.,
Newmarket, Canada

[57] CLAIM

[**] Term: 14 Years

The ornamental design for bathtub, substantially as shown and described.

[21] Appl. No.: 863,471

DESCRIPTION

[22] Filed: May 15, 1986

[30] Foreign Application Priority Data

Apr. 2, 1986 [CA] Canada 02-04-86-1

[52] U.S. Cl. D23/281

[58] Field of Search D23/277-282;
D24/38, 56; 4/538, 541-544, 576, 577, 584

FIG. 1 is a perspective view taken from the top, rear and one side of the bathtub showing our new design;

FIG. 2 is a perspective view taken from the top, front and side shown in FIG. 1;

FIG. 3 is a top plan view thereof;

FIG. 4 is a side elevational view thereof, the opposite side being a mirror image of the side shown;

FIG. 5 is a rear elevational view thereof;

FIG. 6 is a perspective view taken from the top, rear and one side of a modified form of the bathtub shown in FIG. 1;

FIG. 7 is a perspective view taken from the top, front and side shown in FIG. 6;

FIG. 8 is a top plan view of FIG. 6;

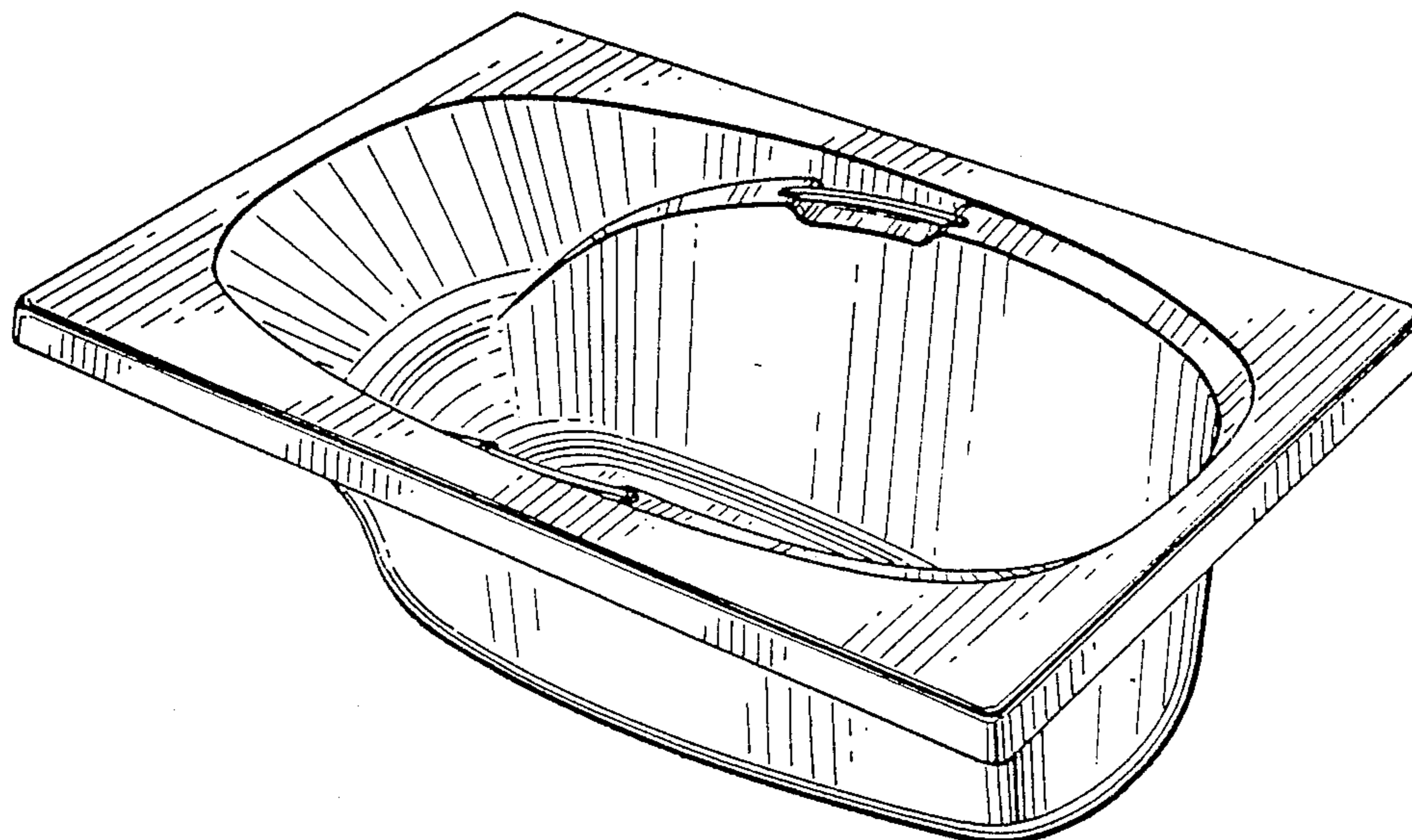
FIG. 9 is a side elevational view of FIG. 6, the opposite side being a mirror image of the side shown; and

FIG. 10 is a rear elevational view of FIG. 6.

[56] References Cited

U.S. PATENT DOCUMENTS

- D. 211,876 8/1968 Doman D23/277
- D. 211,877 8/1968 Doman D23/277
- D. 227,101 6/1973 Primault D23/281
- D. 230,021 1/1974 Primault D23/277
- D. 253,124 10/1979 Primault D23/277
- D. 275,782 10/1984 Burgess et al. D23/282
- D. 276,456 11/1984 Primault D23/281



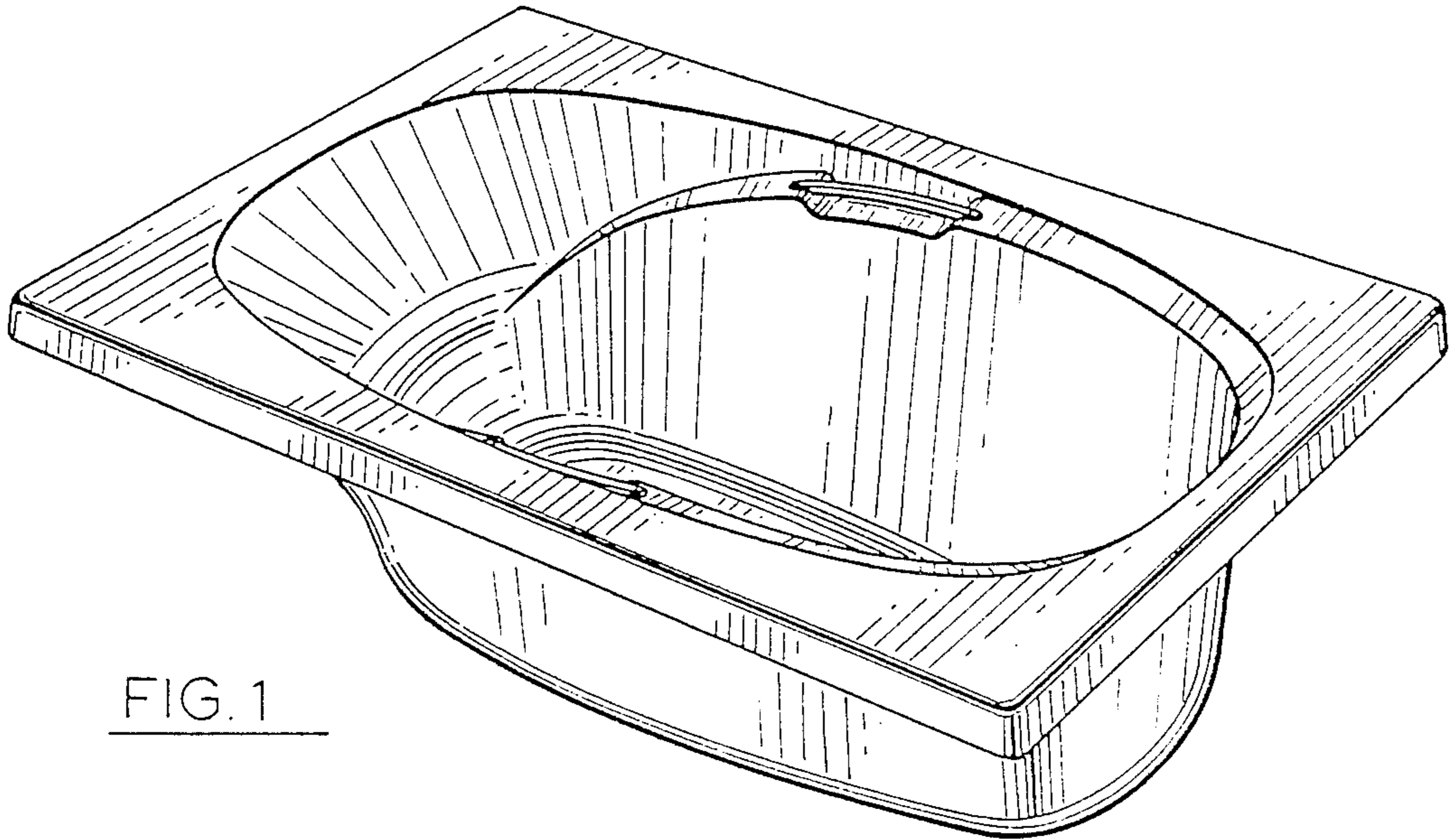


FIG. 1

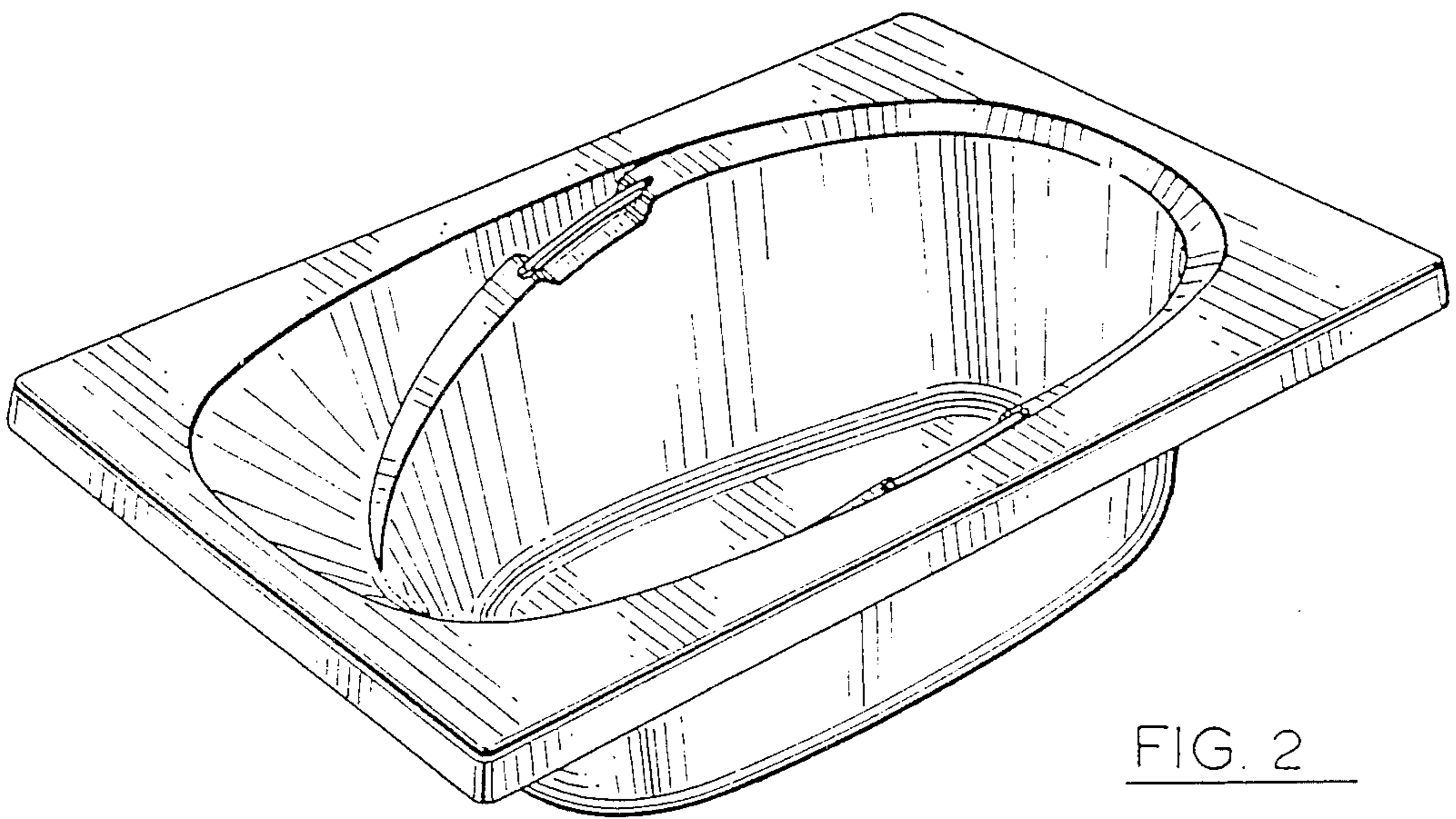
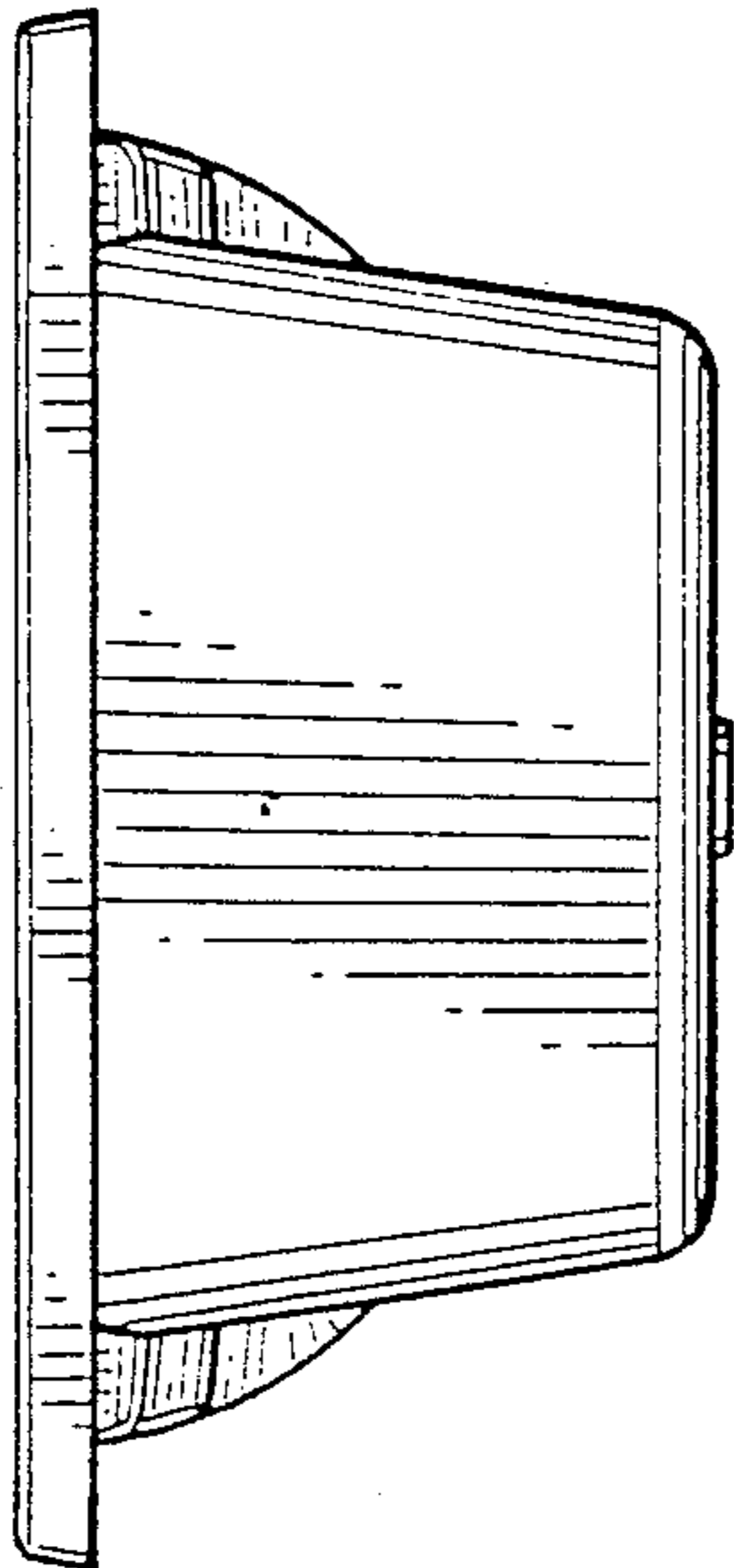
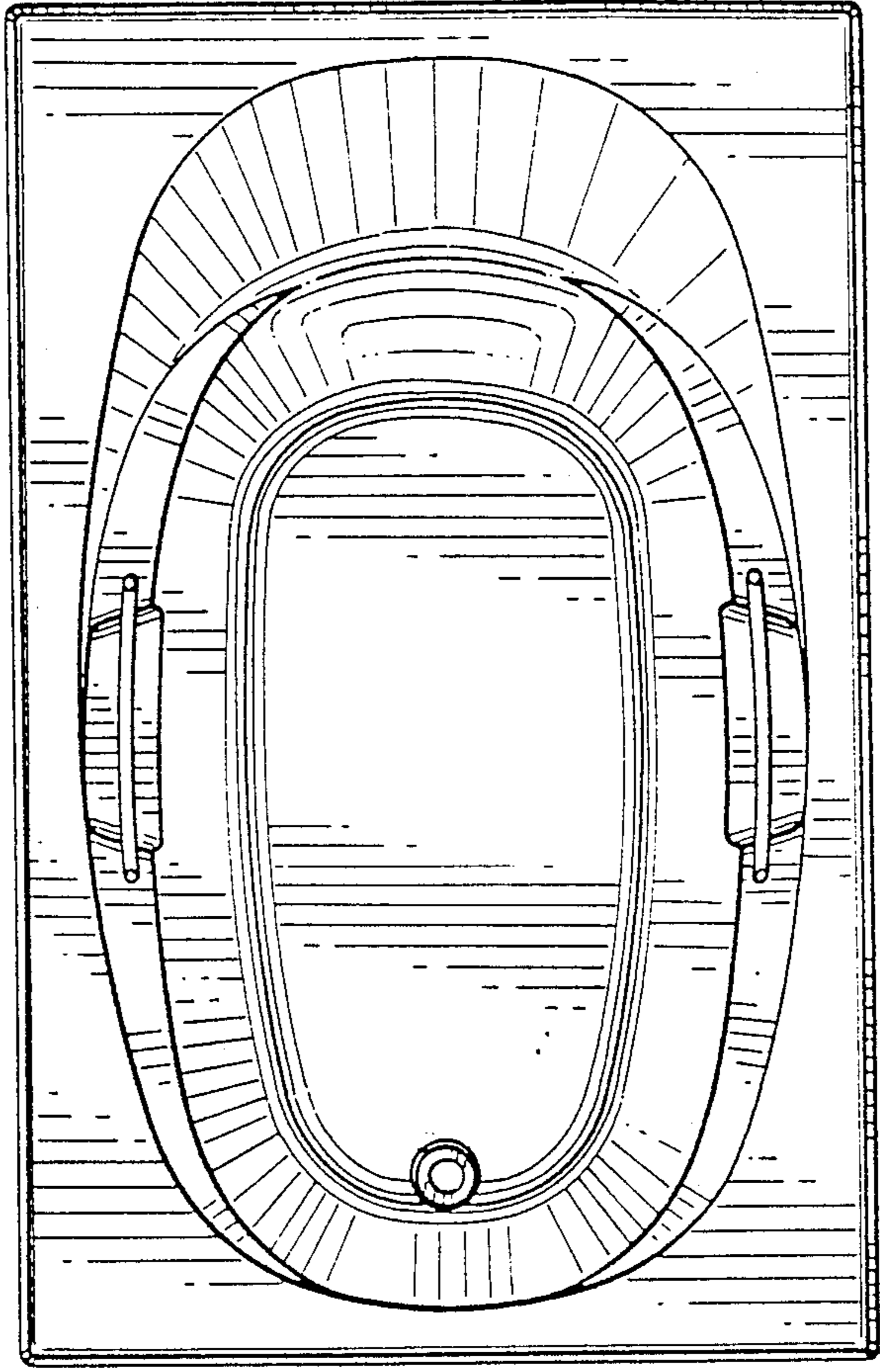
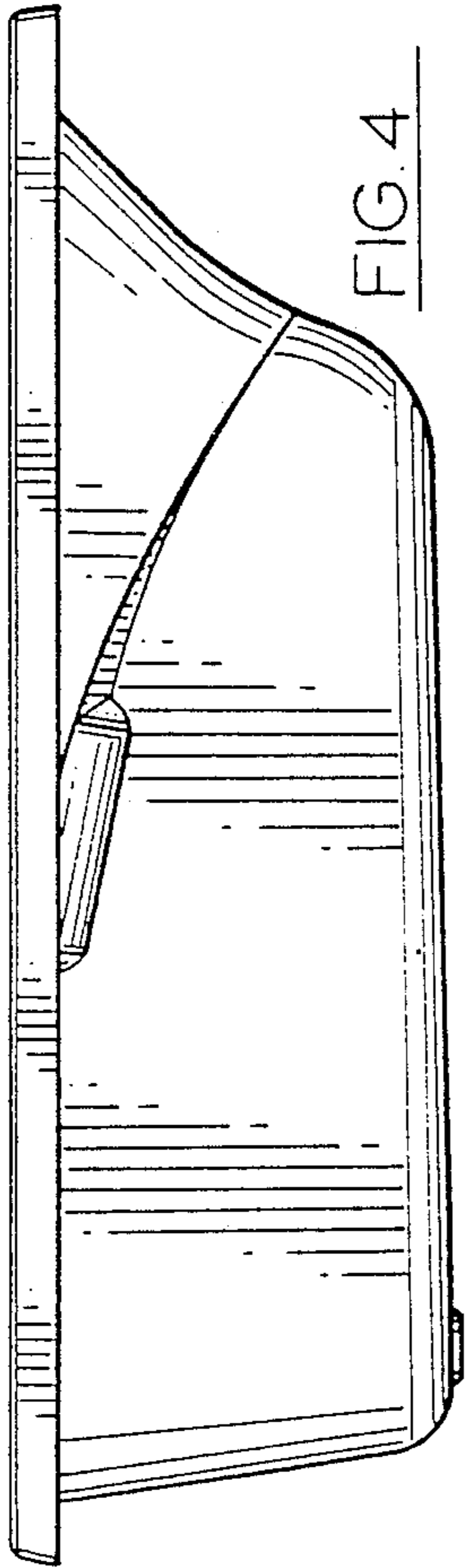


FIG. 2



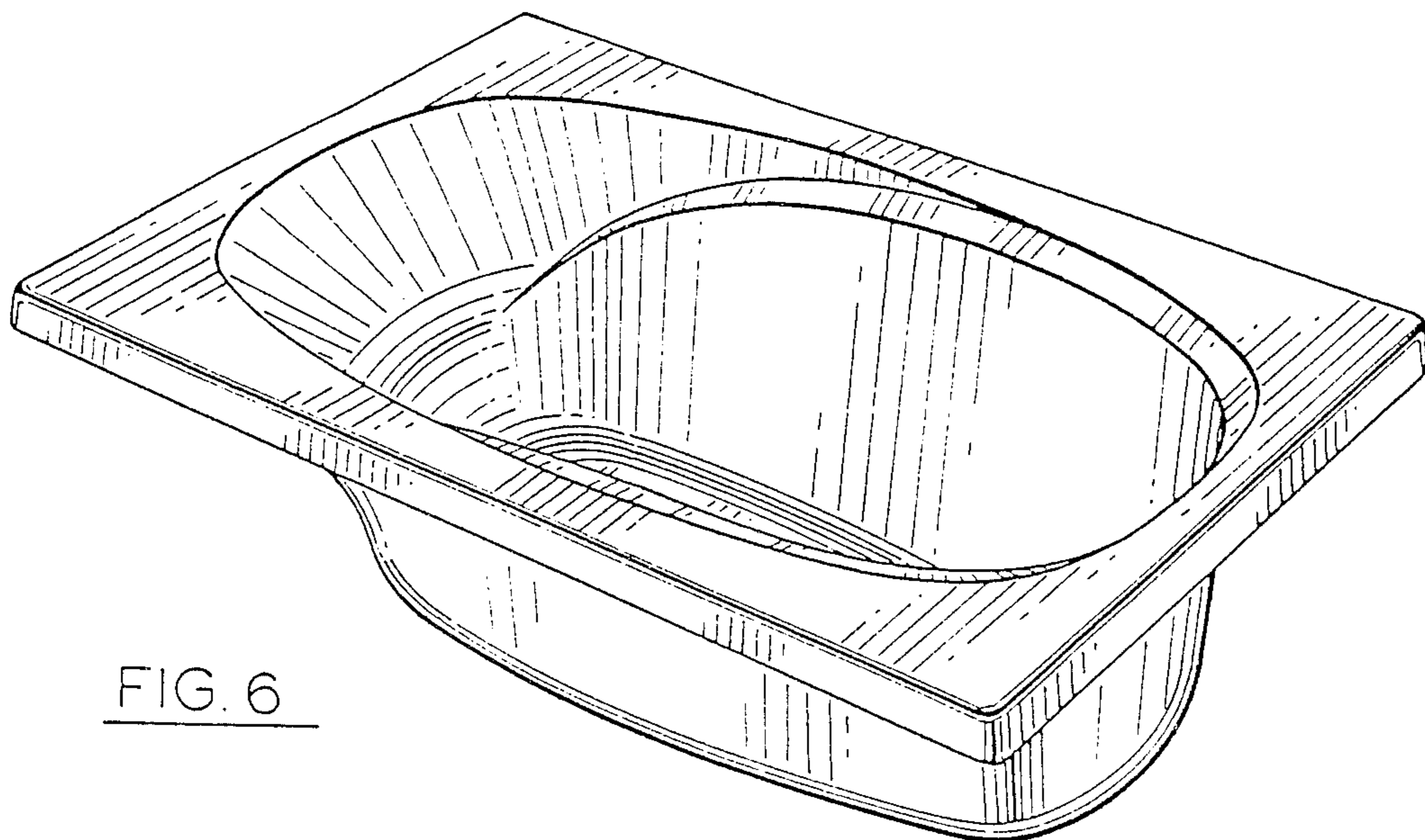


FIG. 6

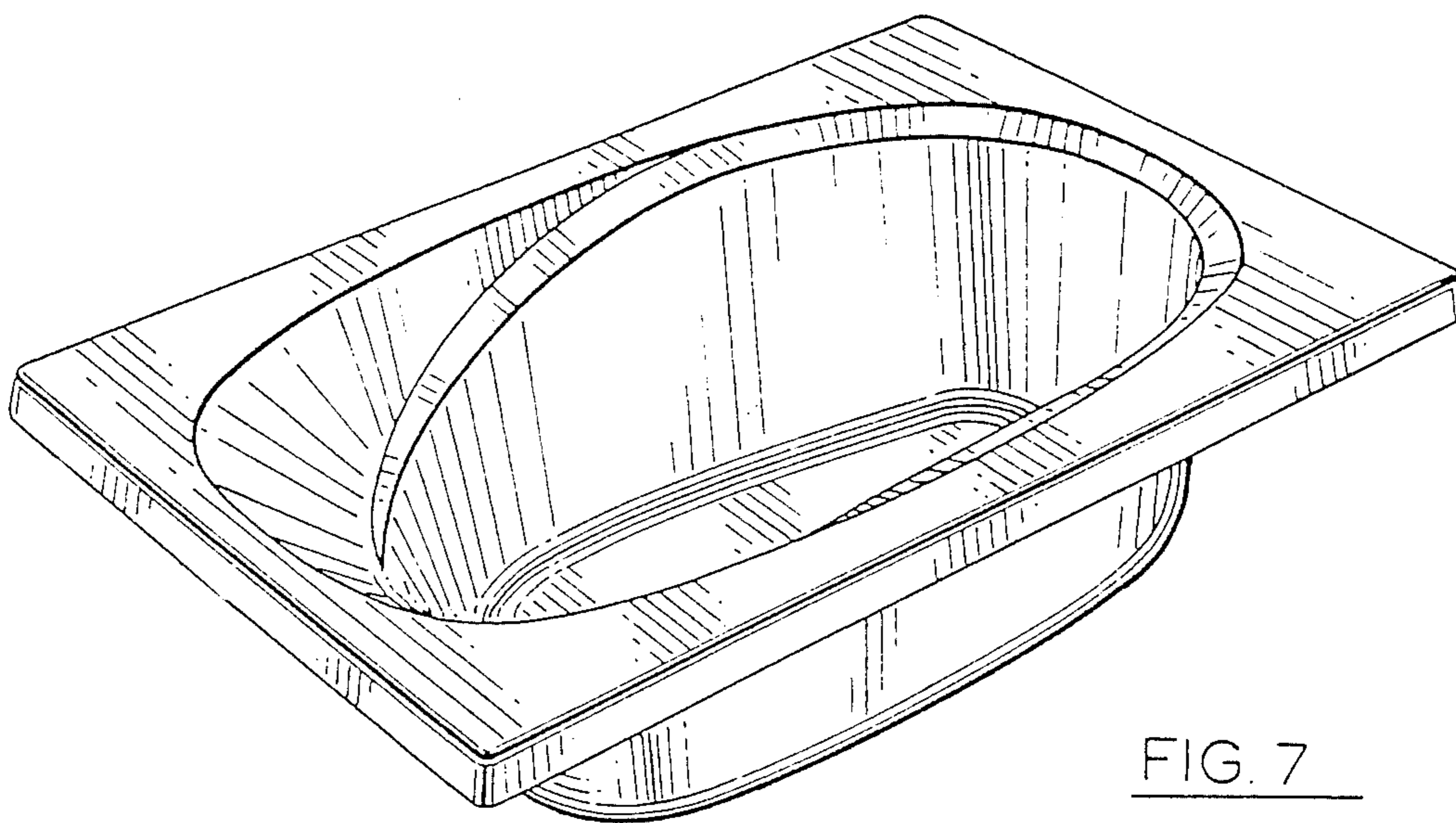


FIG. 7

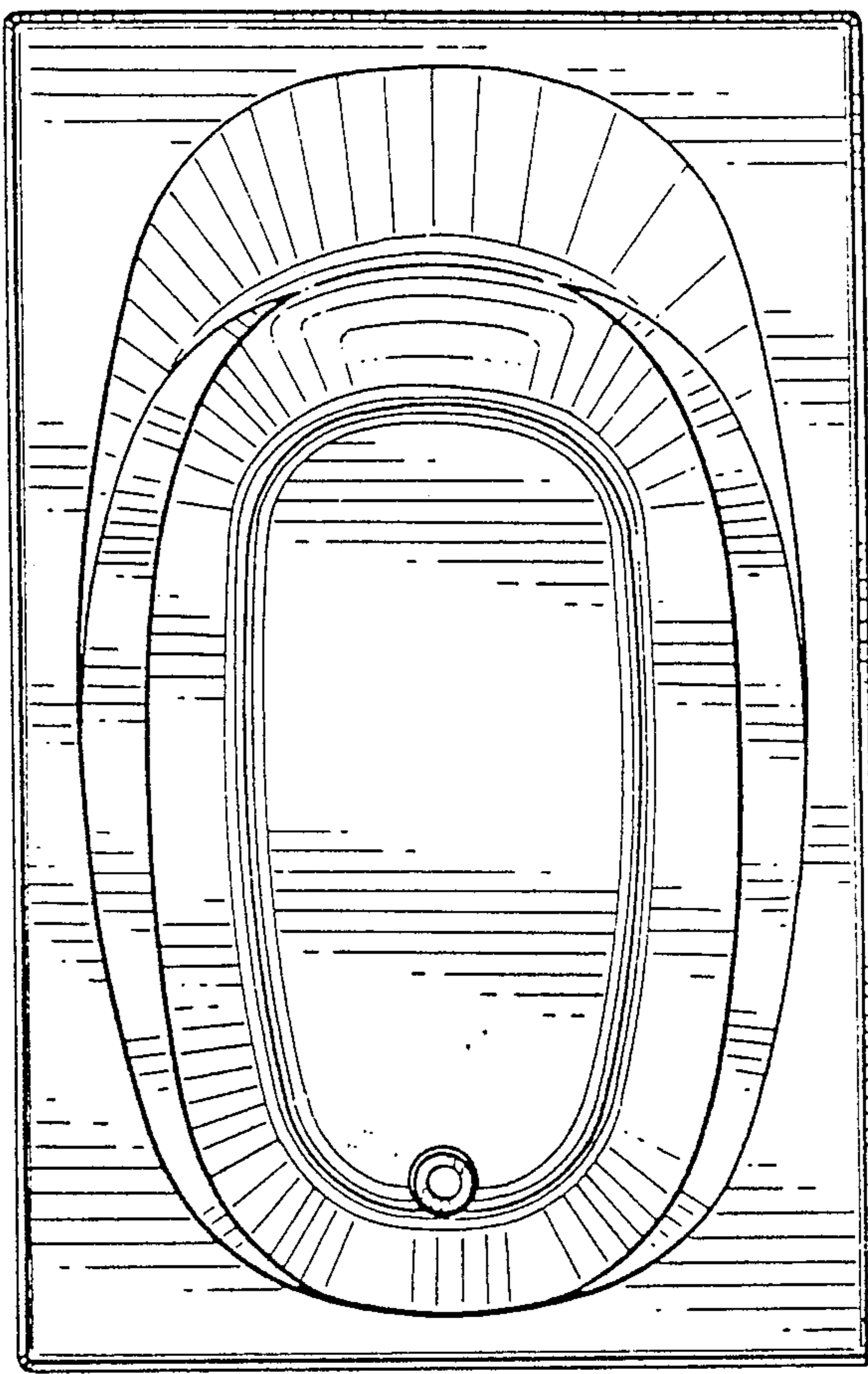
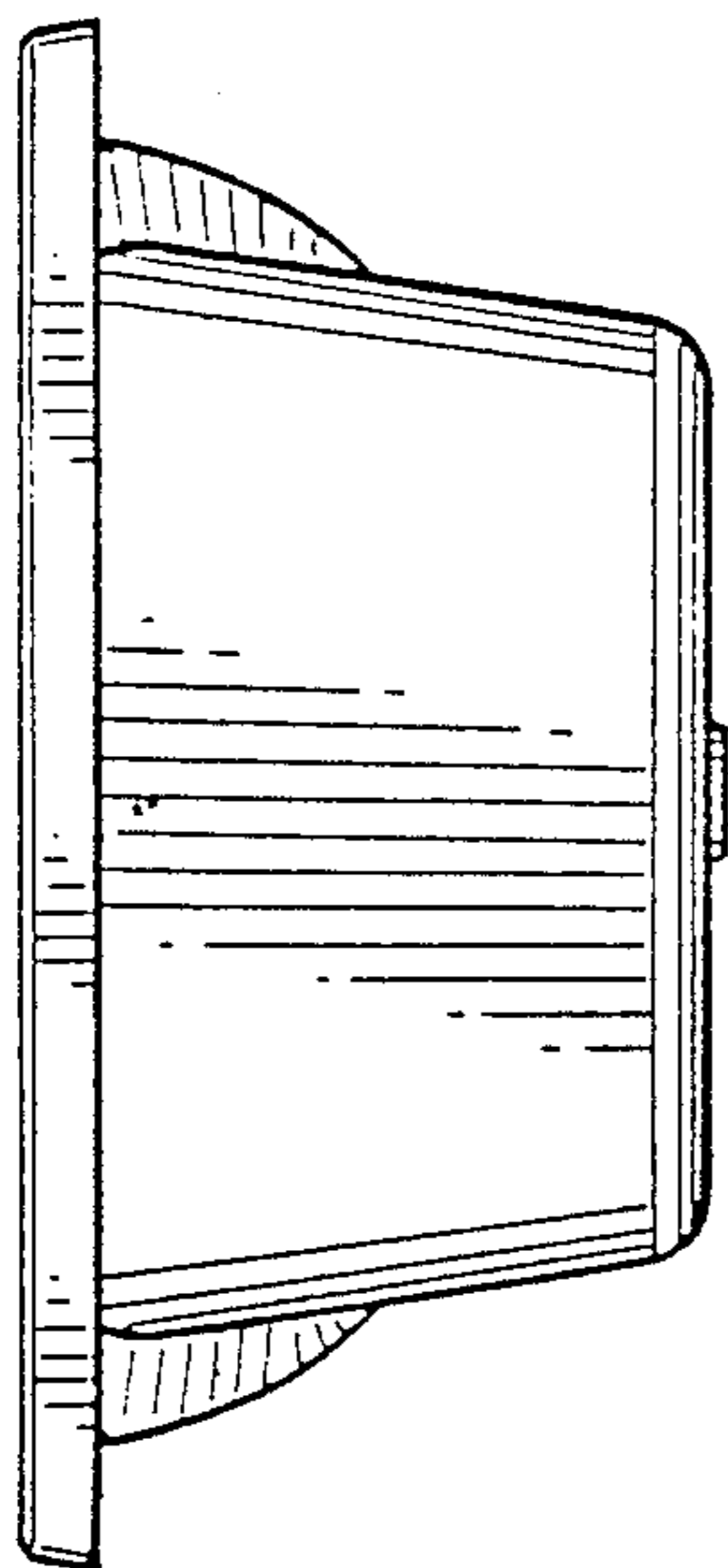
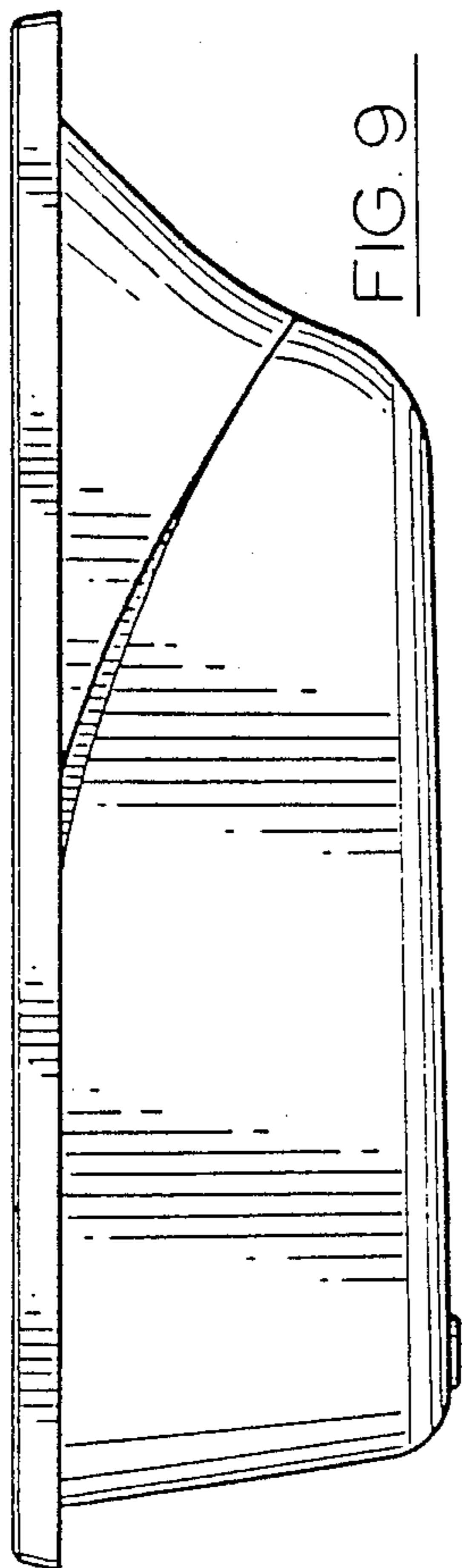


FIG. 10

FIG. 8