

[54] RECONFIGURABLE TOY VEHICLE

[75] Inventor: Kaoru Matsumoto, Tokyo, Japan

[73] Assignee: Takara Co., Ltd., Tokyo, Japan

[**] Term: 14 Years

[21] Appl. No.: 806,753

[22] Filed: Dec. 9, 1985

[30] Foreign Application Priority Data

Oct. 24, 1985 [JP] Japan 60-44741

[52] U.S. Cl. D21/136; D21/150; D21/166

[58] Field of Search D21/128-140, D21/150, 166; D12/90, 91; 446/71-75, 77, 78, 383, 381, 487

[56] References Cited

U.S. PATENT DOCUMENTS

D. 279,916	7/1985	Obara	D21/150
D. 281,001	10/1985	Ohno	D21/150
D. 284,491	7/1986	Ohno	D21/150
D. 285,465	9/1986	Ohno	D21/150

Primary Examiner—Charles A. Rademaker
Attorney, Agent, or Firm—Price, Gess & Ubell

[57] CLAIM

The ornamental design for a reconfigurable toy vehicle, substantially as shown and described.

DESCRIPTION

FIG. 1 is a front perspective view of a reconfigurable toy vehicle, showing my new design;
 FIG. 2 is a front elevational view thereof;
 FIG. 3 is a side elevational view thereof, the side opposite being substantially a mirror image;
 FIG. 4 is a rear elevational view thereof;
 FIG. 5 is a top plan view thereof;
 FIG. 6 is a bottom plan view thereof;
 FIG. 7 is a front perspective view of the design shown in FIGS. 1 through 6 reconfigured in a robotic humanoid configuration;
 FIG. 8 is a front elevational view thereof;
 FIG. 9 is a side elevational view thereof, the side opposite being substantially a mirror image;
 FIG. 10 is a rear elevational view thereof;
 FIG. 11 is a top plan view thereof;
 FIG. 12 is a bottom plan view thereof;

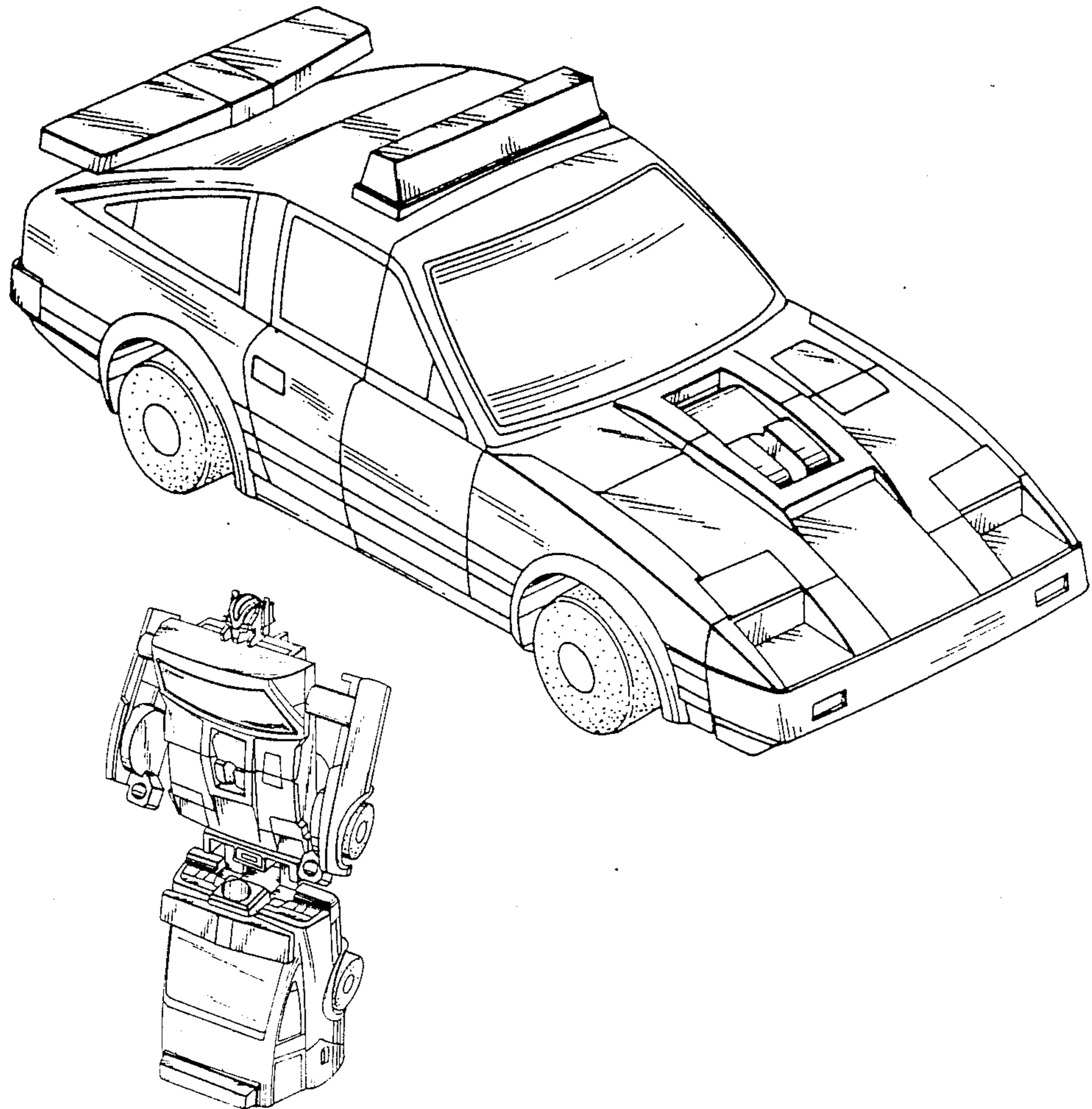


FIG. 1

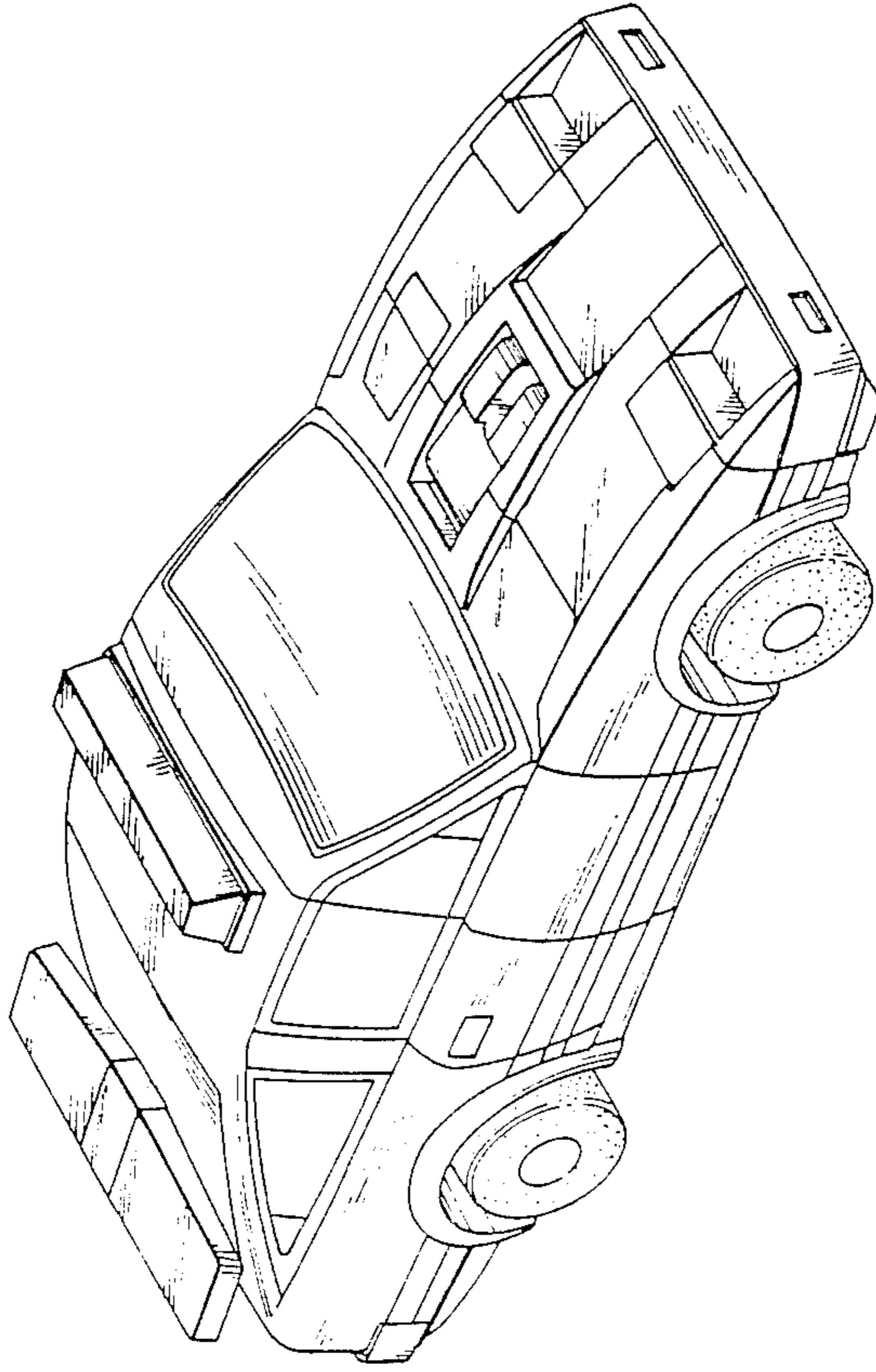


FIG. 2

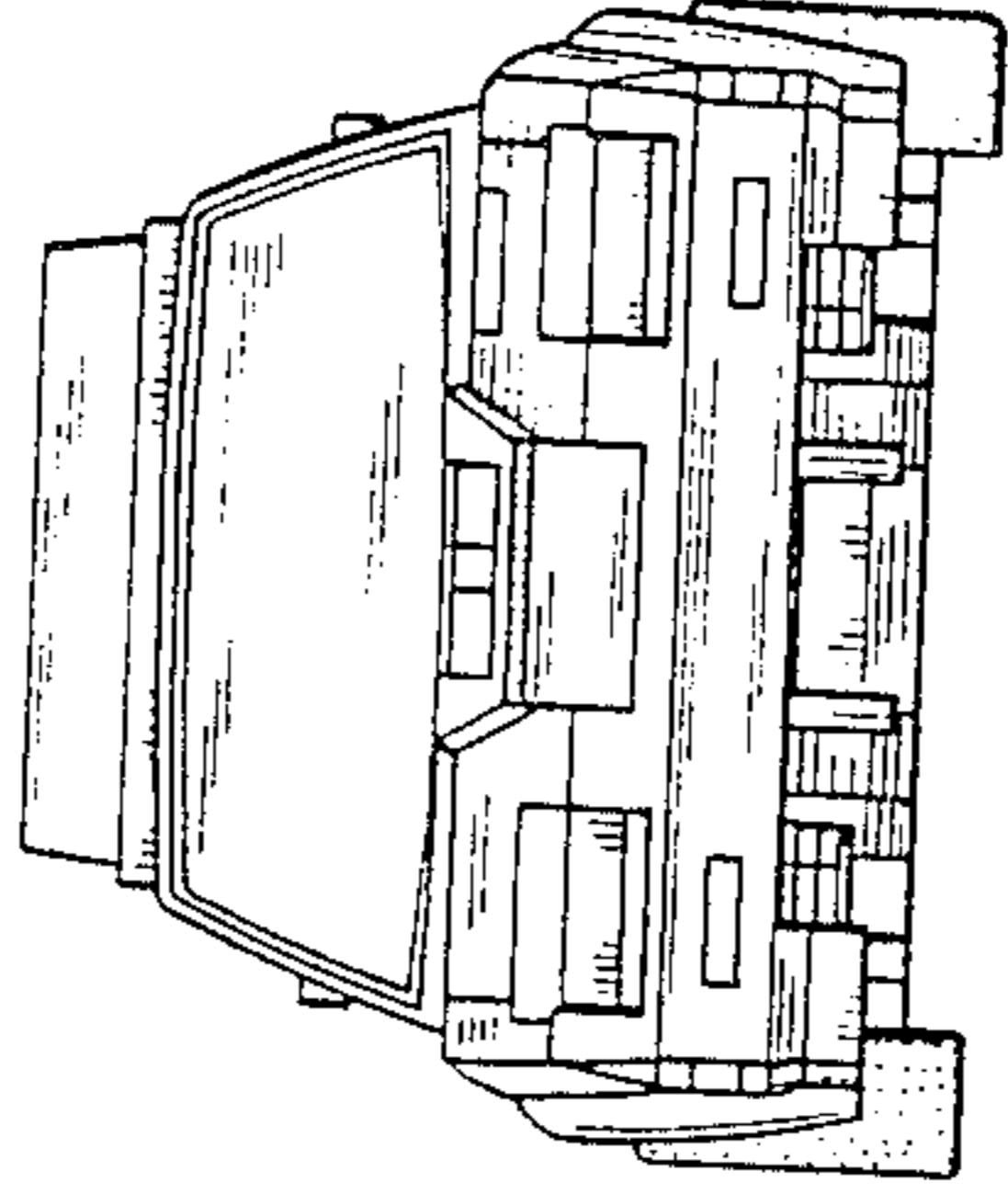


FIG. 3

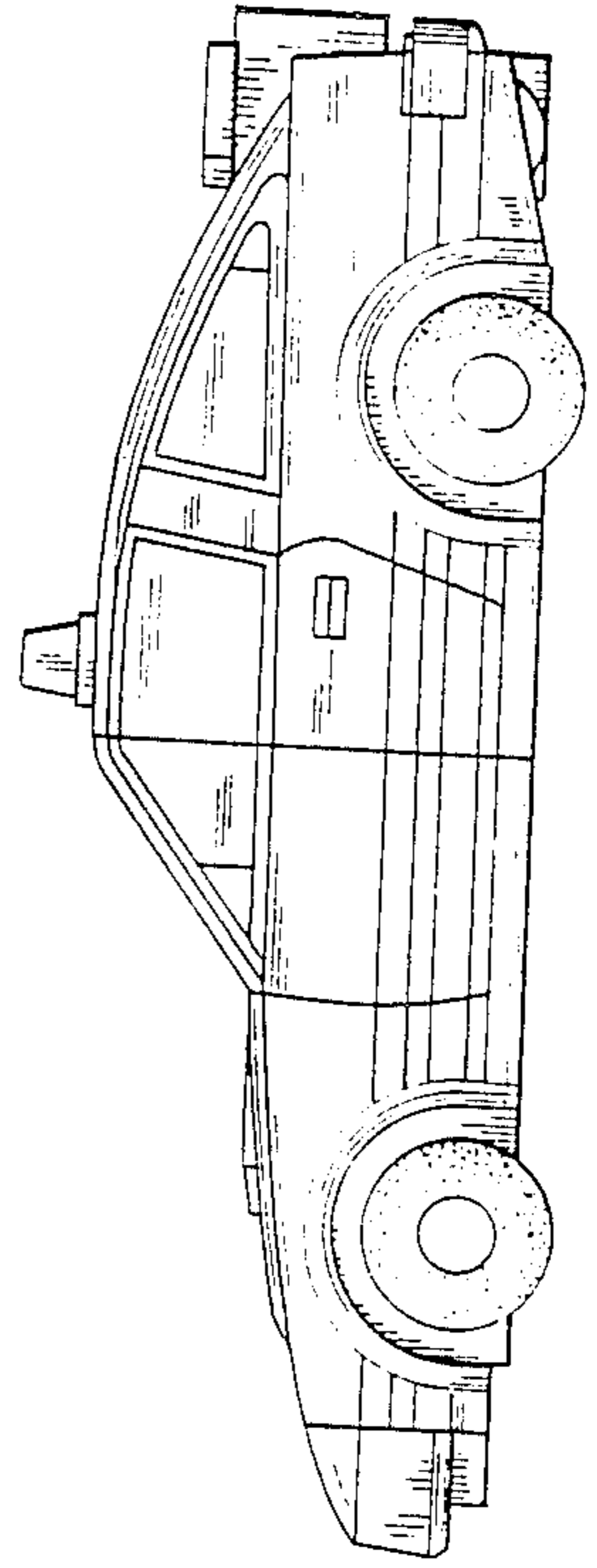


FIG. 6

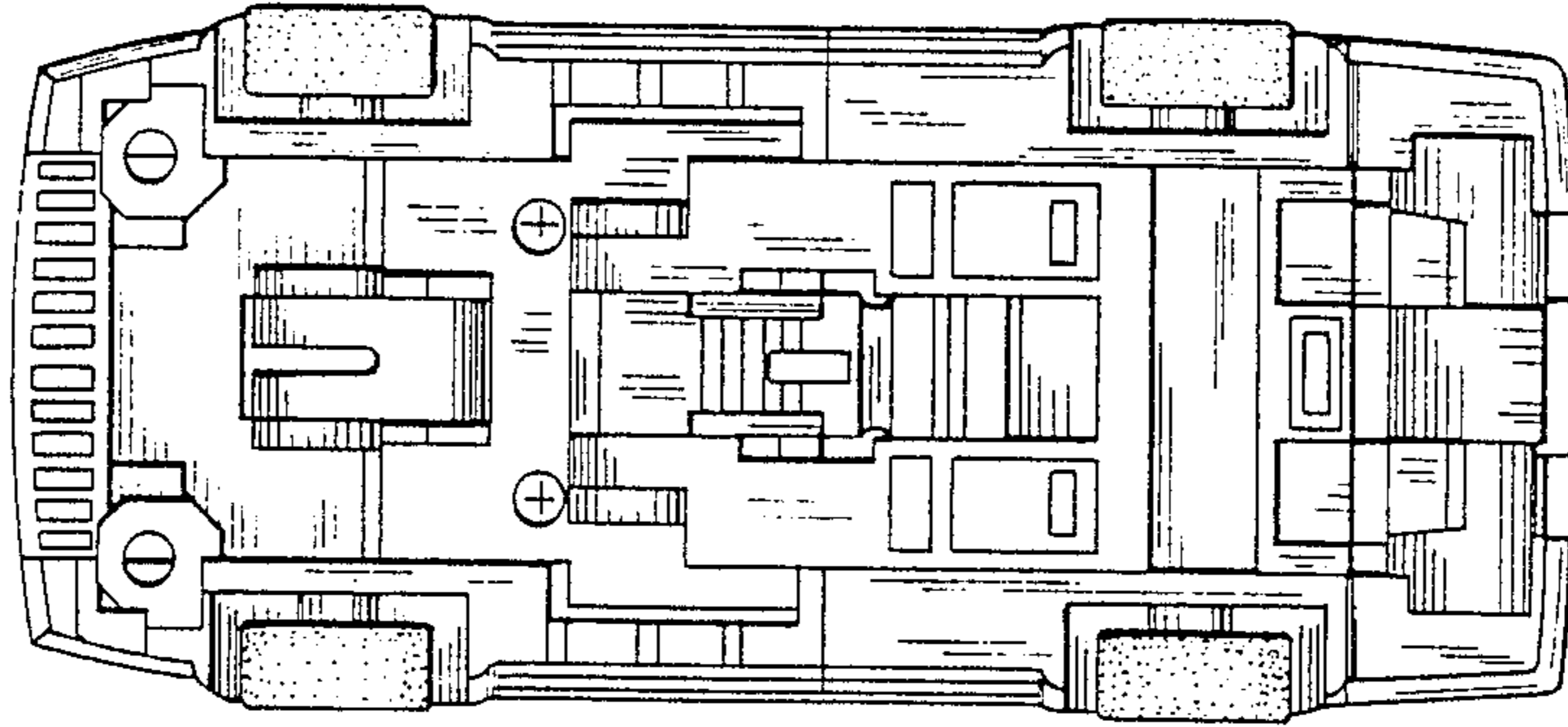


FIG. 5

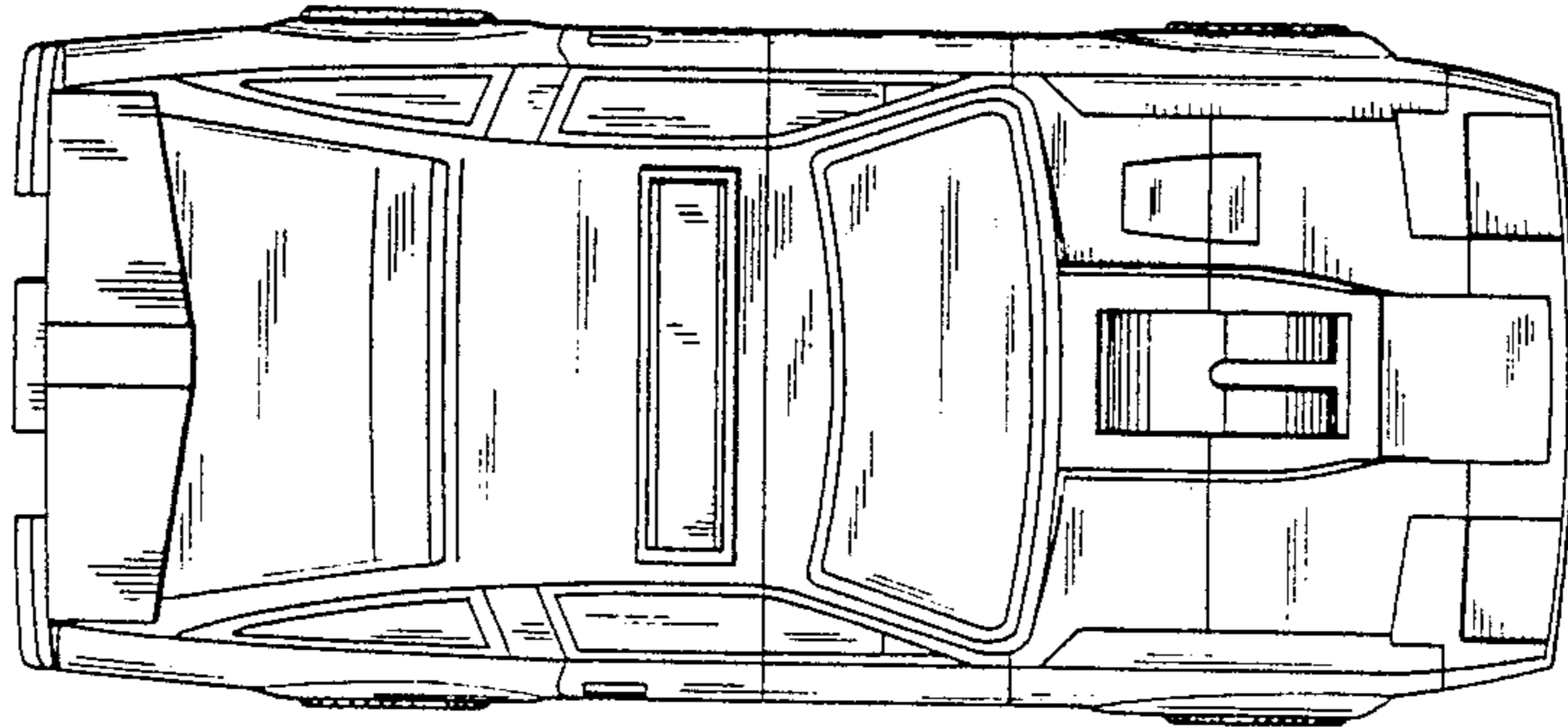


FIG. 4

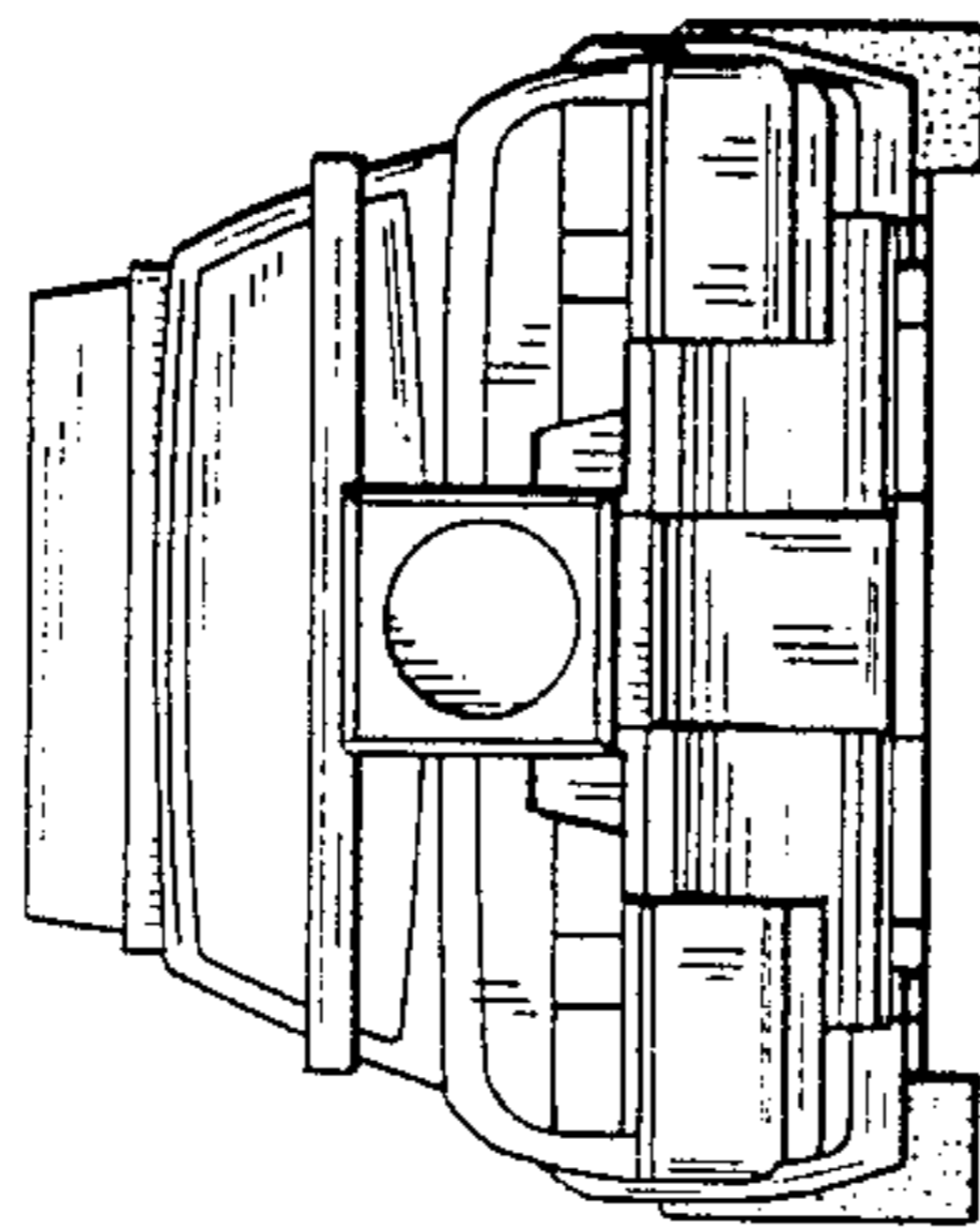


FIG.8

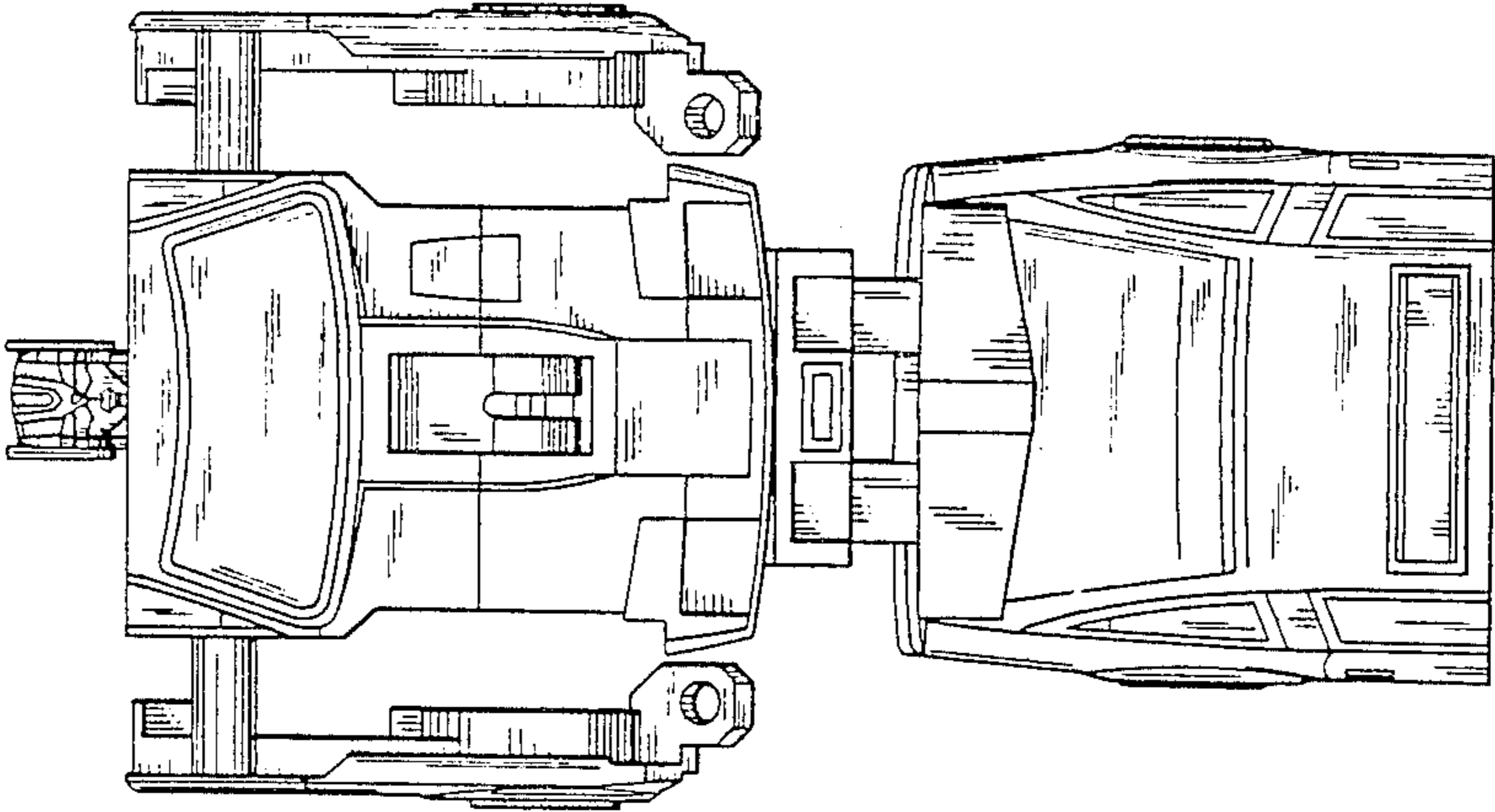


FIG.7

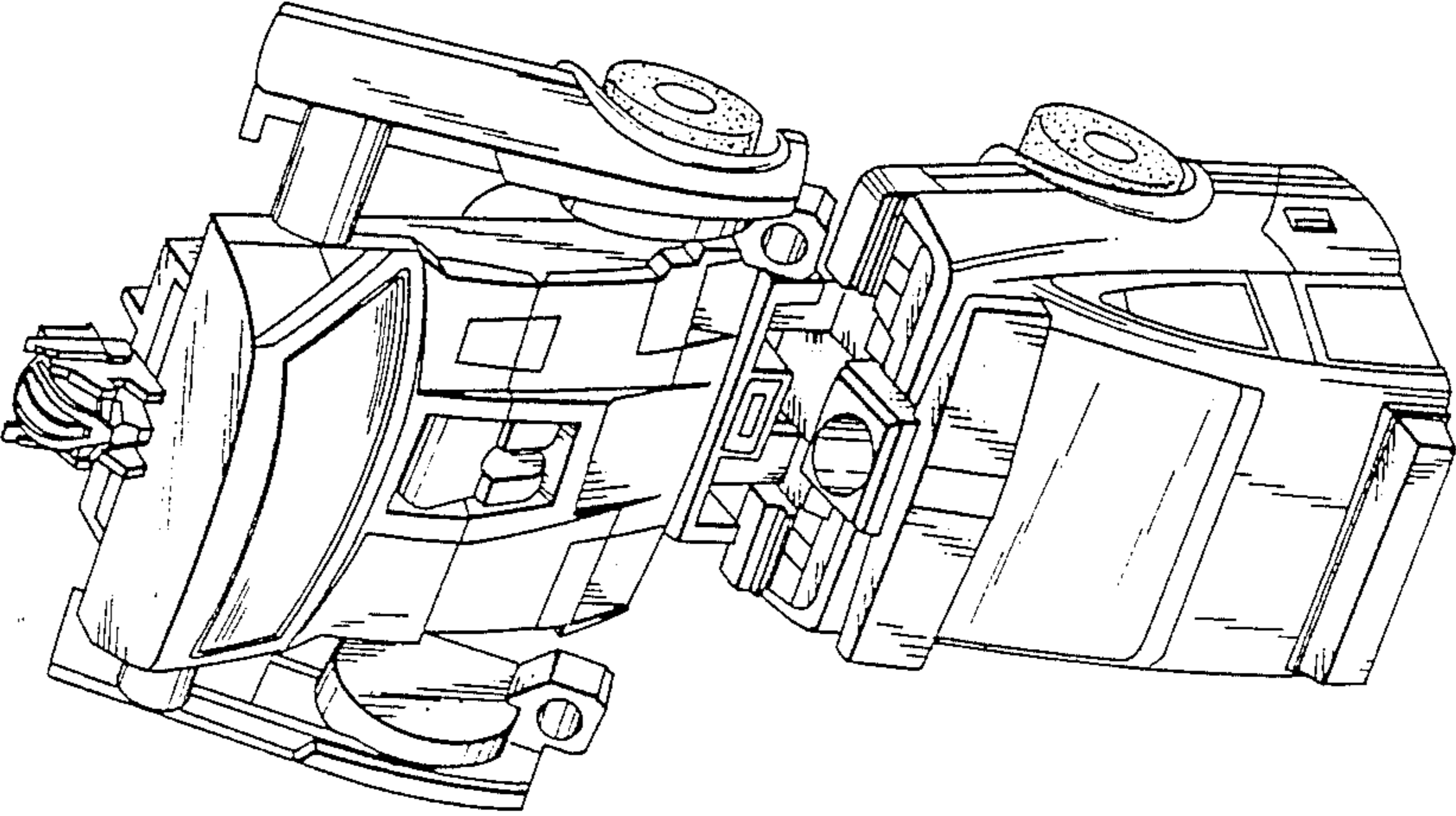


FIG.10

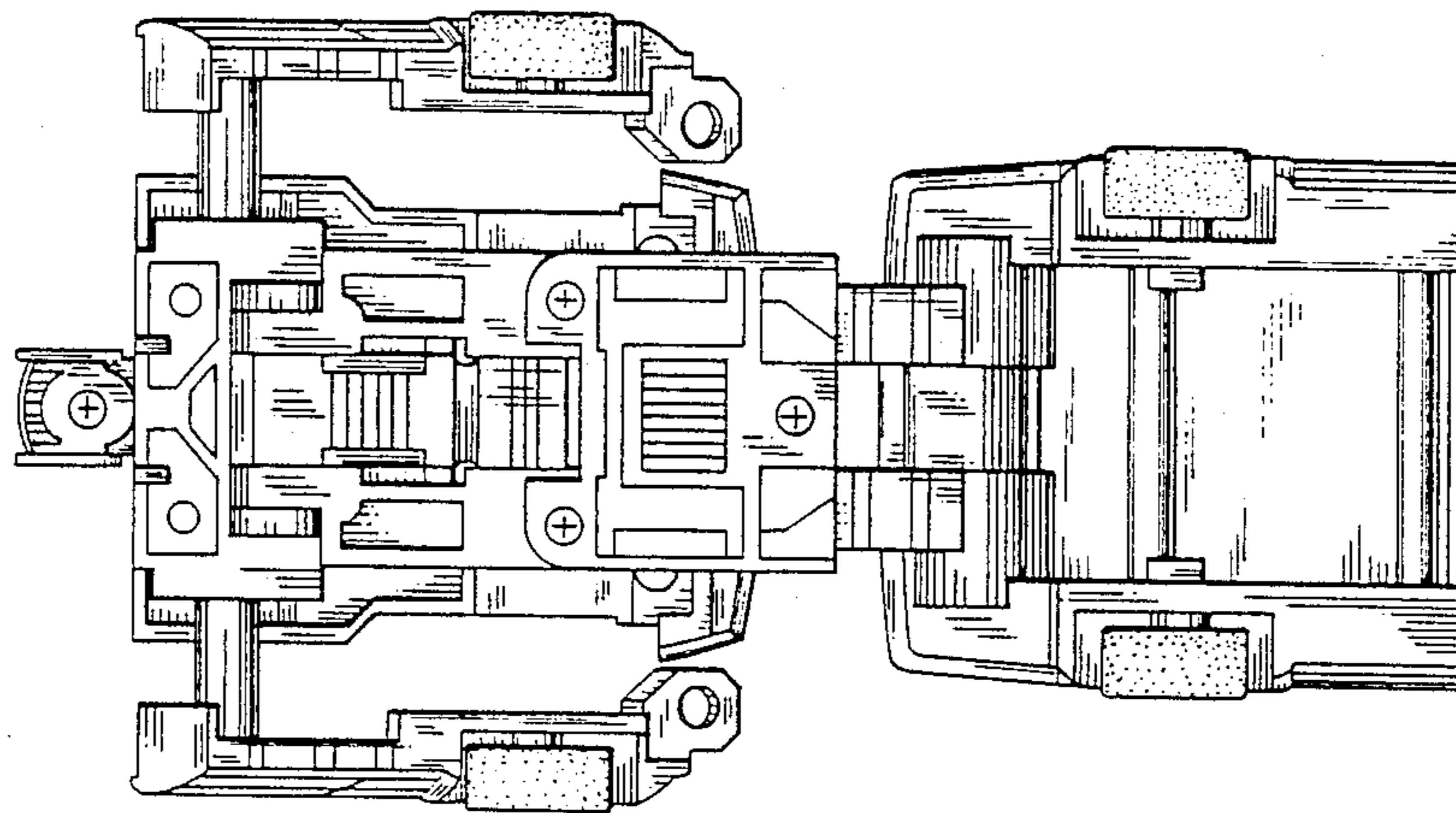


FIG.9

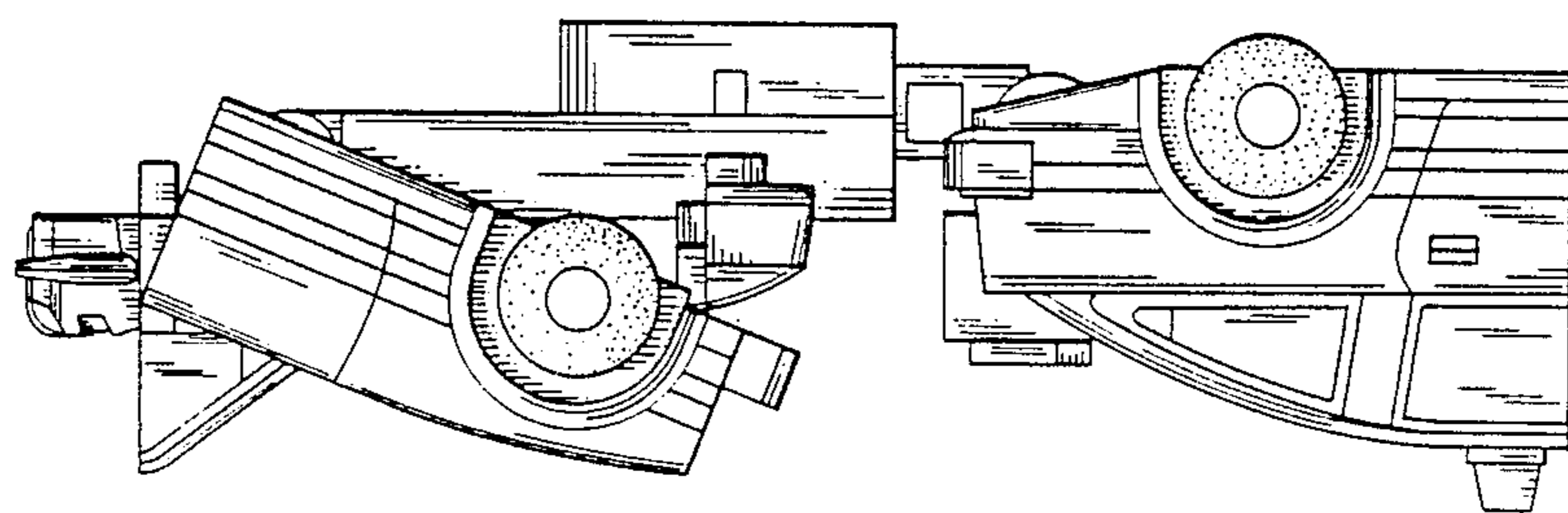


FIG.11

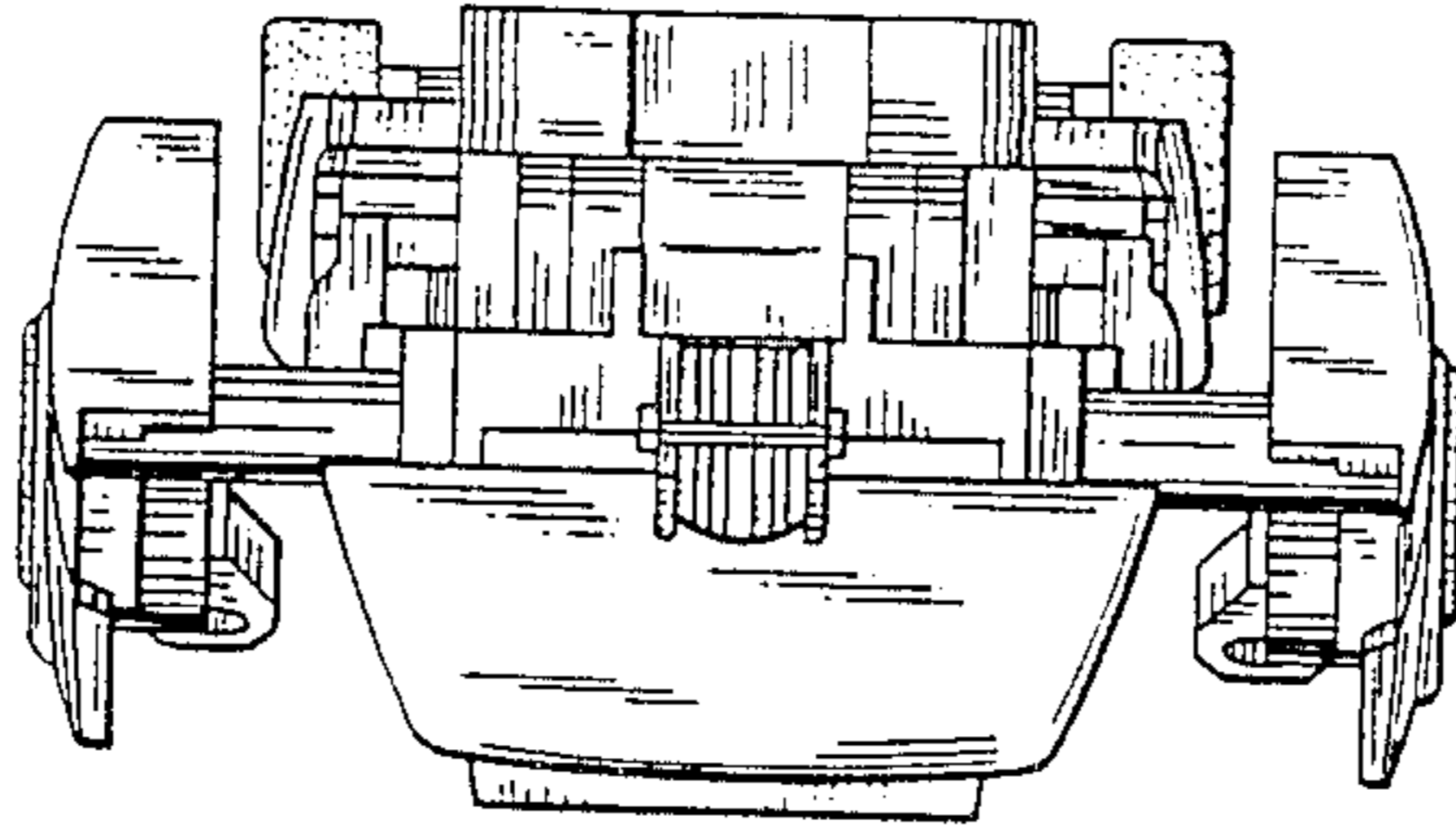


FIG.12

