

[54] COMBINED DESK MEMO PAD TRAY, PEN HOLDER AND AUTOMATIC LANTERN

[75] Inventor: John S. Yuen, Kowloon, Hong Kong

[73] Assignee: John Manufacturing Limited, Kowloon, Hong Kong

[**] Term: 14 Years

[21] Appl. No.: 730,151

[22] Filed: May 3, 1985

[30] Foreign Application Priority Data

Dec. 10, 1984 [GB] United Kingdom 1023853

[52] U.S. Cl. D19/78

[58] Field of Search D19/75-78, D19/83, 86, 90-92, 20-23; 362/98, 99; 206/214

[56] References Cited

U.S. PATENT DOCUMENTS

D. 176,366 12/1955 McFadyen D19/78

D. 226,241 1/1973 Zelanko D19/92
D. 282,083 1/1986 Kier D19/78
D. 284,677 7/1986 Armijo D19/92
3,697,737 10/1972 Levkoff 362/99

Primary Examiner—Charles A. Rademaker
Attorney, Agent, or Firm—Fay, Sharpe, Beall, Fagan,
Minnich & McKee

[57] CLAIM

The ornamental design for combined desk memo pad tray, pen holder and automatic lantern, substantially as shown and described.

DESCRIPTION

FIG. 1 is a top plan view of a combined desk memo pad tray, pen holder and automatic lantern showing my new design;

FIG. 2 is a bottom plan view thereof;

FIG. 3 is a left side elevational view thereof;

FIG. 4 is a right side elevational view thereof;

FIG. 5 is a front elevational view thereof;

FIG. 6 is a rear elevational view thereof.

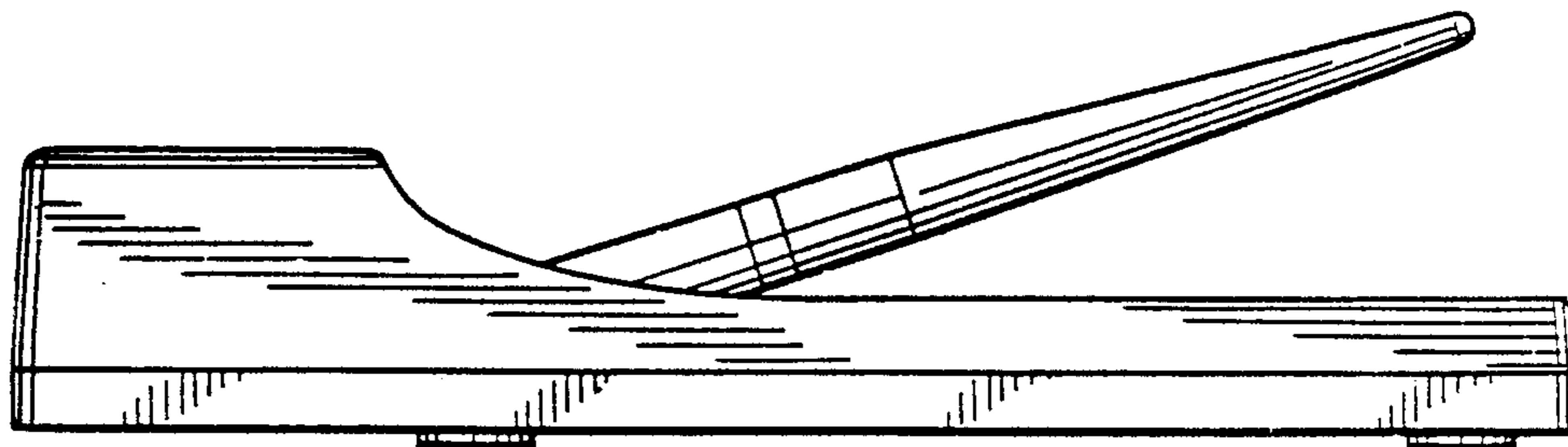


FIG. 1.

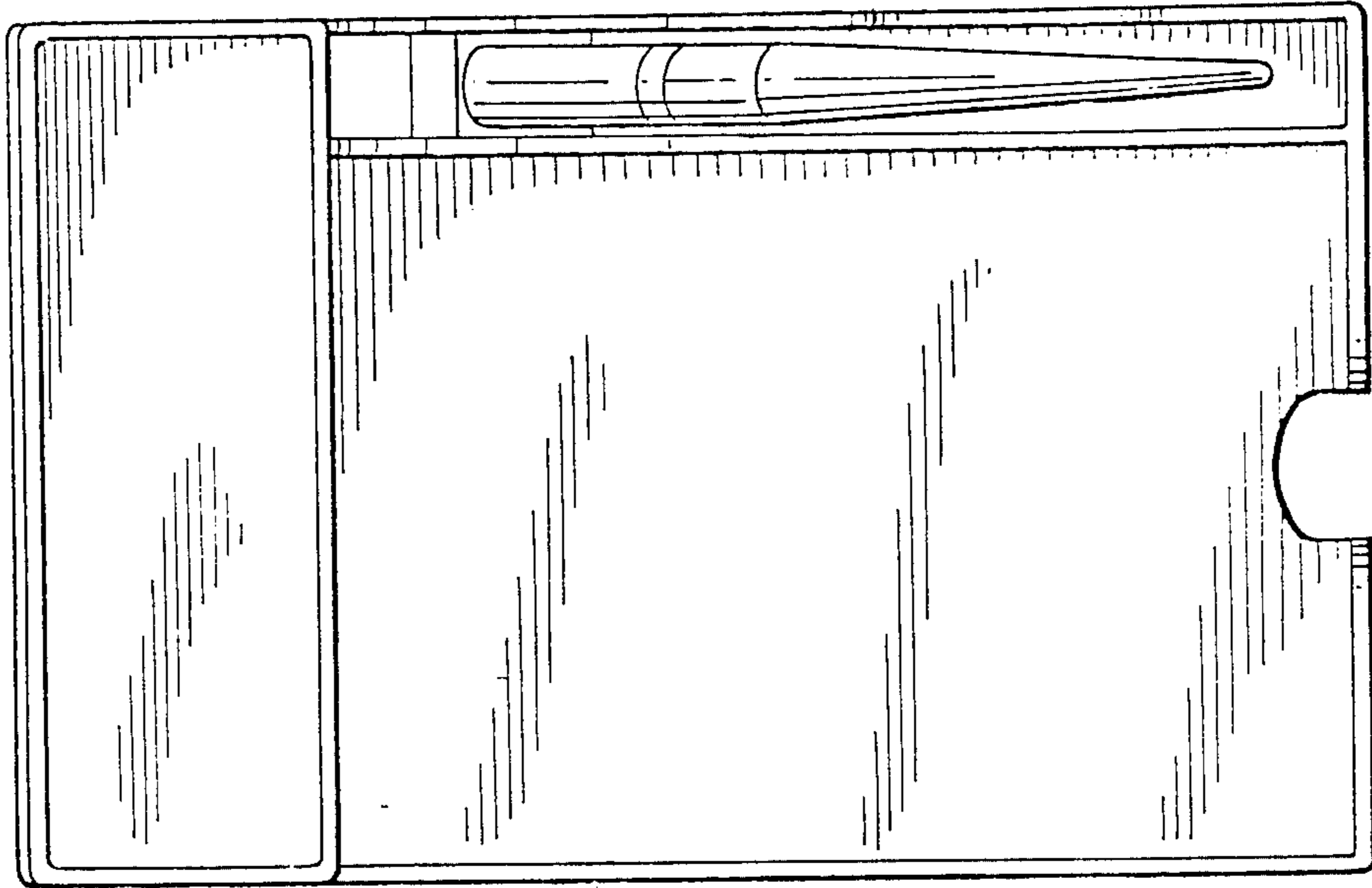


FIG. 2.

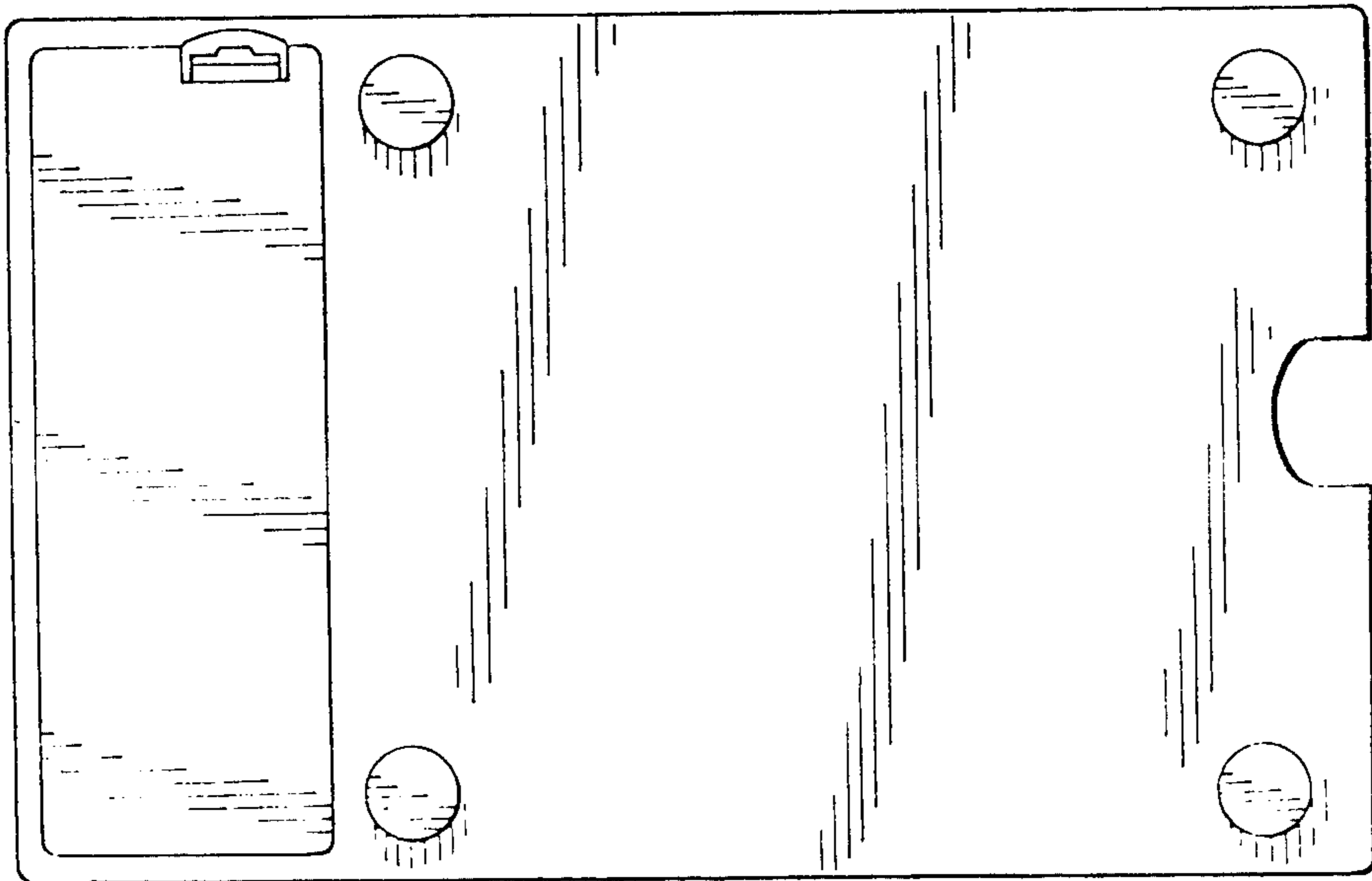


FIG. 3.

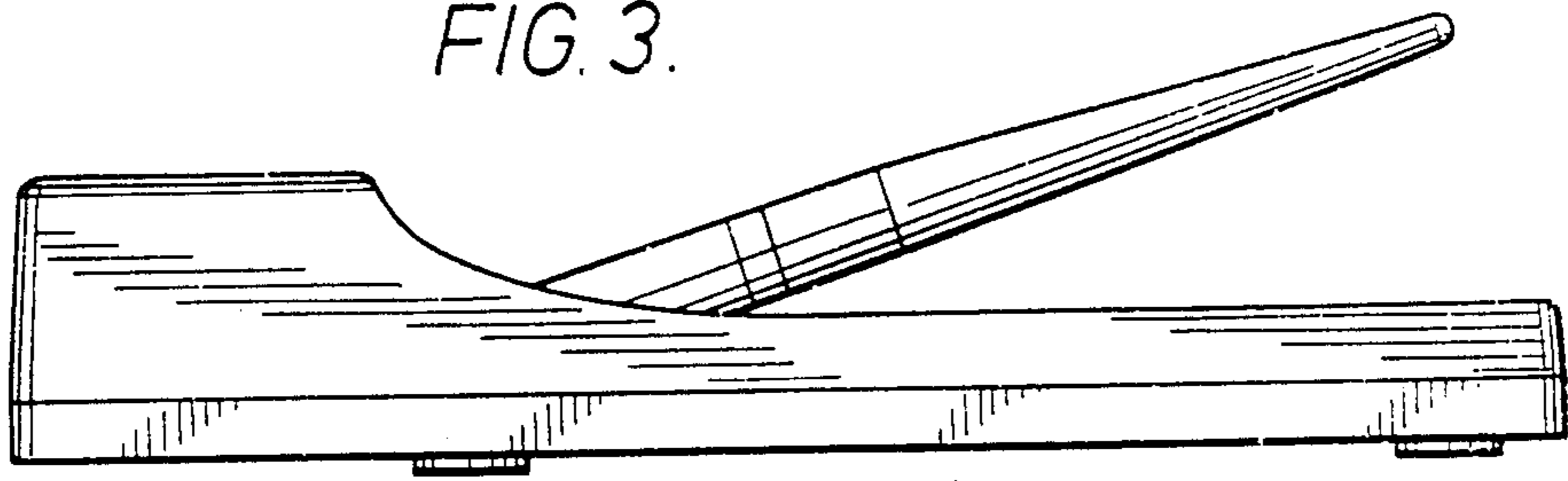


FIG. 4.

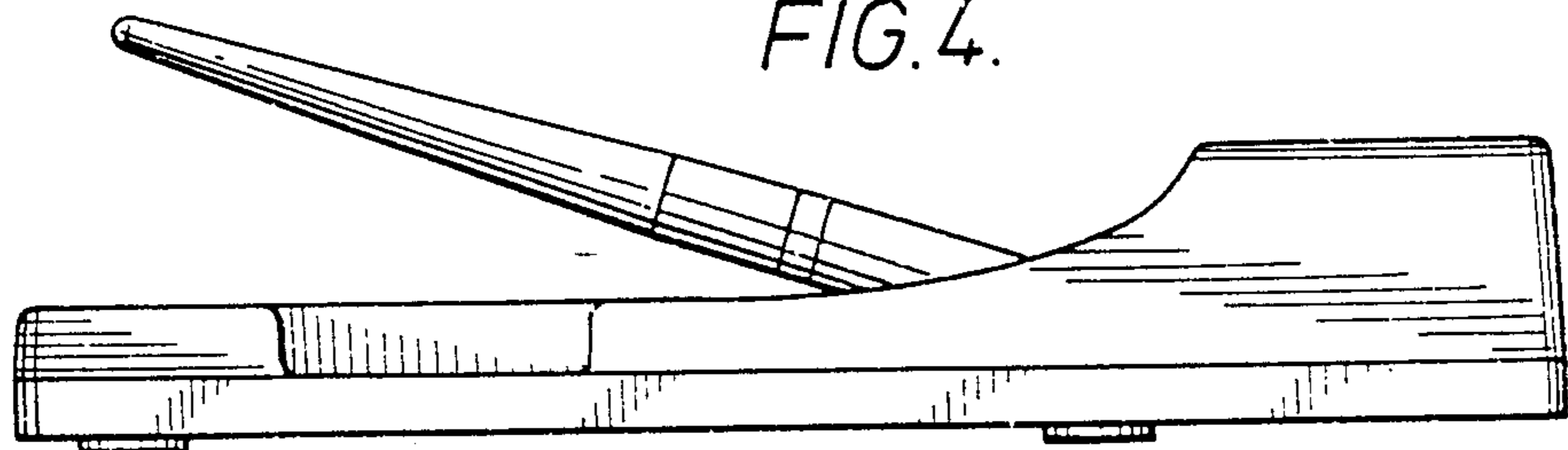


FIG. 5.

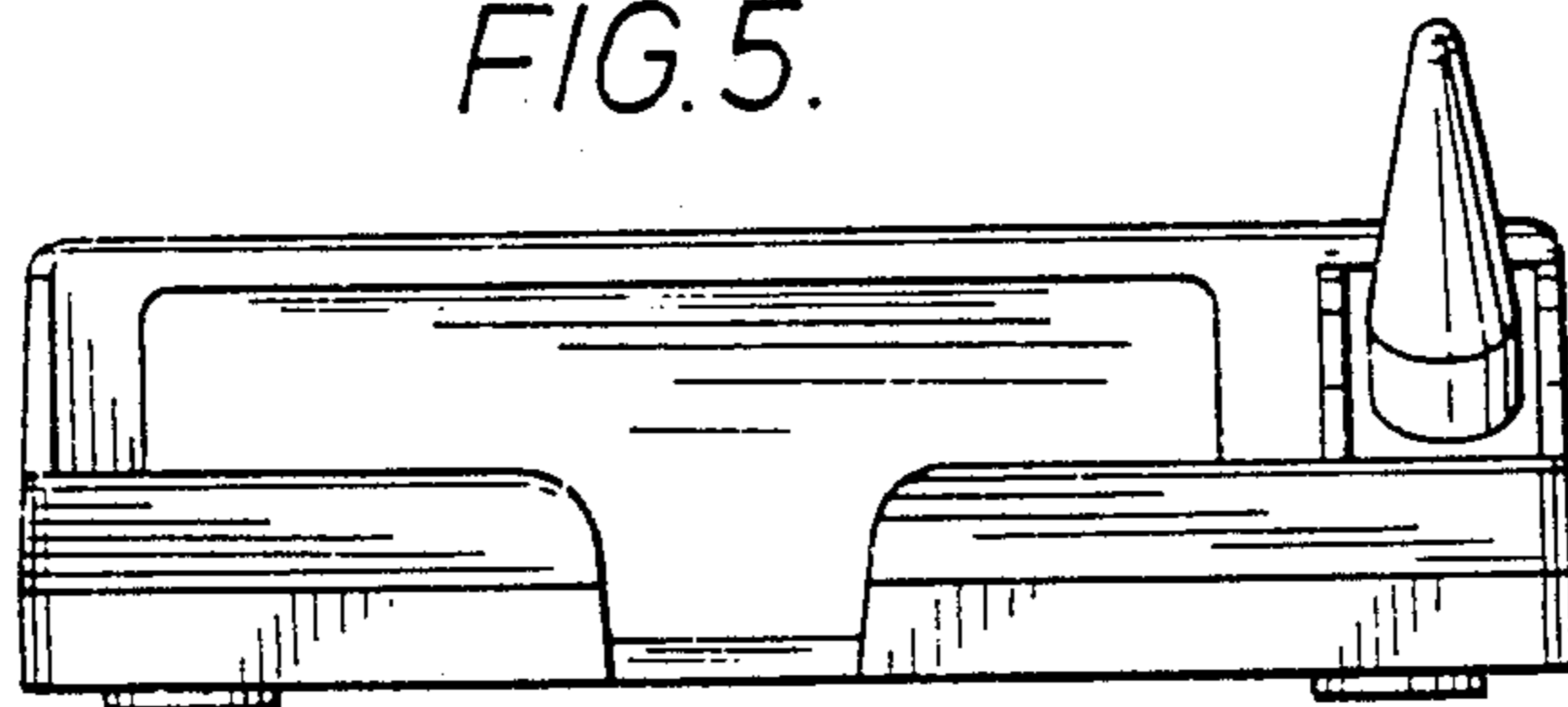


FIG. 6.

