

[54] HEAT SINK OR SIMILAR ARTICLE

[75] Inventor: Marvin F. Moore, Carrollton, Tex.

[73] Assignee: Thermalloy Incorporated, Dallas, Tex.

[*] Notice: The portion of the term of this patent subsequent to Jul. 29, 2000 has been disclaimed.

[**] Term: 14 Years

[21] Appl. No.: 718,557

[22] Filed: Apr. 1, 1985

[52] U.S. Cl. D13/23

[58] Field of Search D13/23; 174/16 HS;
357/81 R; 165/80.1, 80.2, 80.3

[56] References Cited

U.S. PATENT DOCUMENTS

D. 284,851 7/1986 Moore D13/23
4,054,901 10/1977 Edwards et al. 357/81
4,609,040 9/1986 Moore 174/16 HS

OTHER PUBLICATIONS

Allied Electronics catalog, 1981, p. 24, Heatsink #6073B.

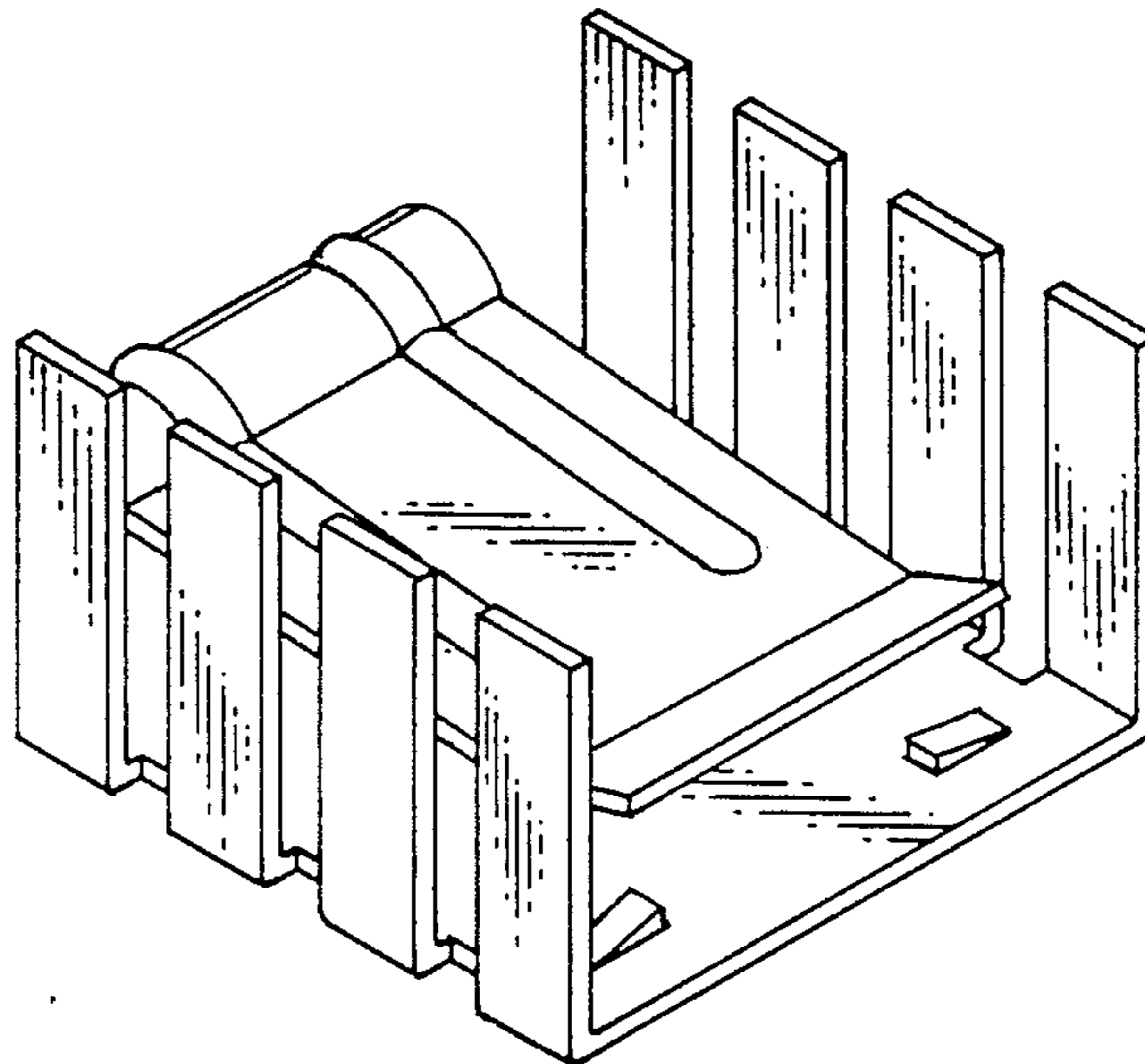
Primary Examiner—Susan J. Lucas
Attorney, Agent, or Firm—Kanz, Scherback & Timmons

[57] CLAIM

The ornamental design for a heat sink or similar article, substantially as shown and described.

DESCRIPTION

FIG. 1 is a perspective view of a heat sink or similar article, showing my new design;
FIG. 2 is an end elevational view thereof;
FIG. 3 is a top plan view thereof;
FIG. 4 is an opposite end elevational view thereof;
FIG. 5 is a side elevational view thereof, the opposite side being a mirror image;
FIG. 6 is a bottom plan view thereof;
FIG. 7 is a perspective view of a second embodiment of my new design;
FIG. 8 is an end elevational view thereof;
FIG. 9 is a top plan view thereof;
FIG. 10 is an opposite end elevational view thereof;
FIG. 11 is a side elevational view thereof, the opposite side being a mirror image thereof; and
FIG. 12 is a bottom plan view thereof.



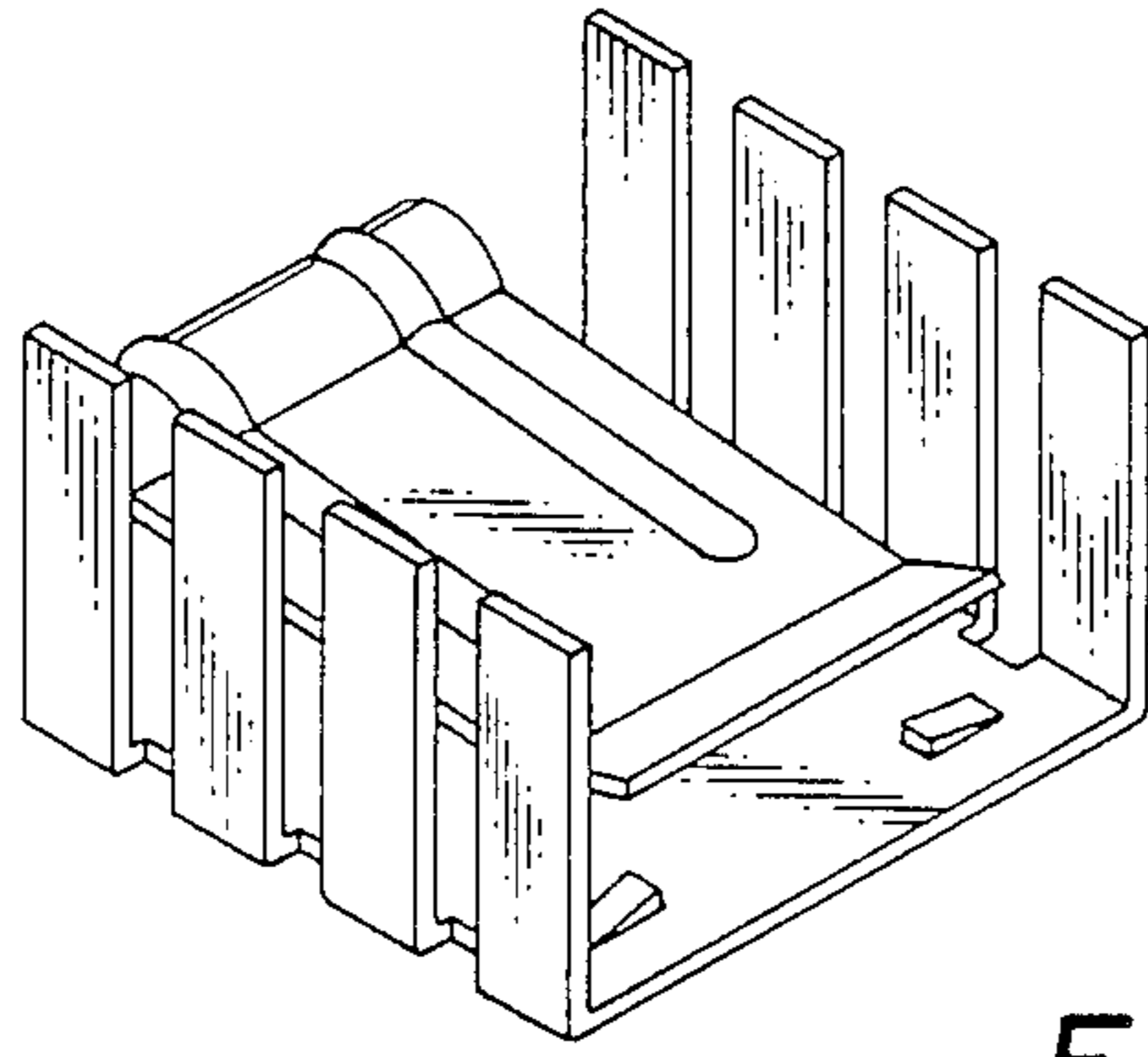


Fig. 1

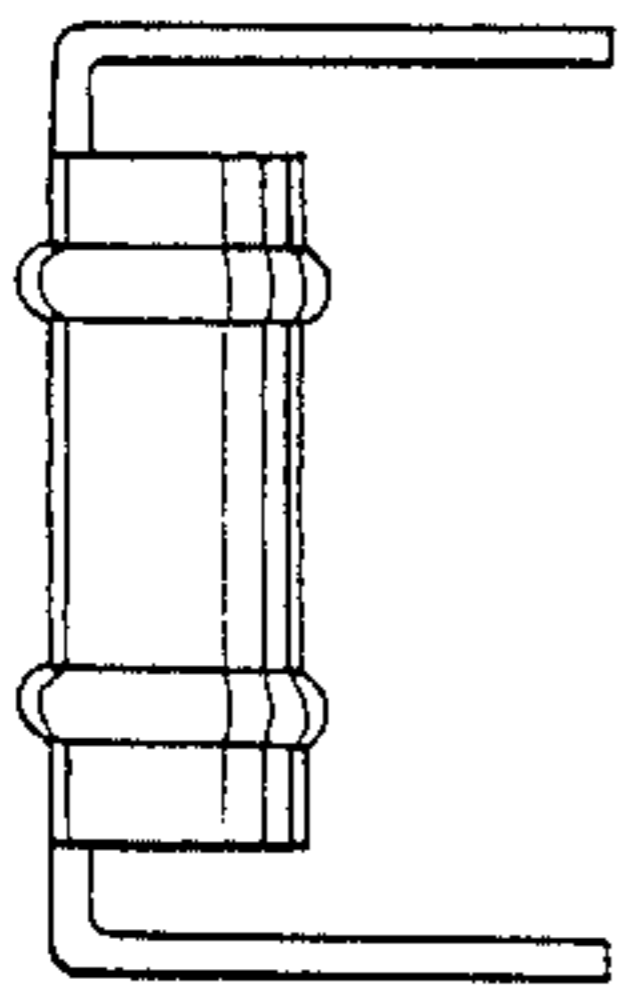


Fig. 2

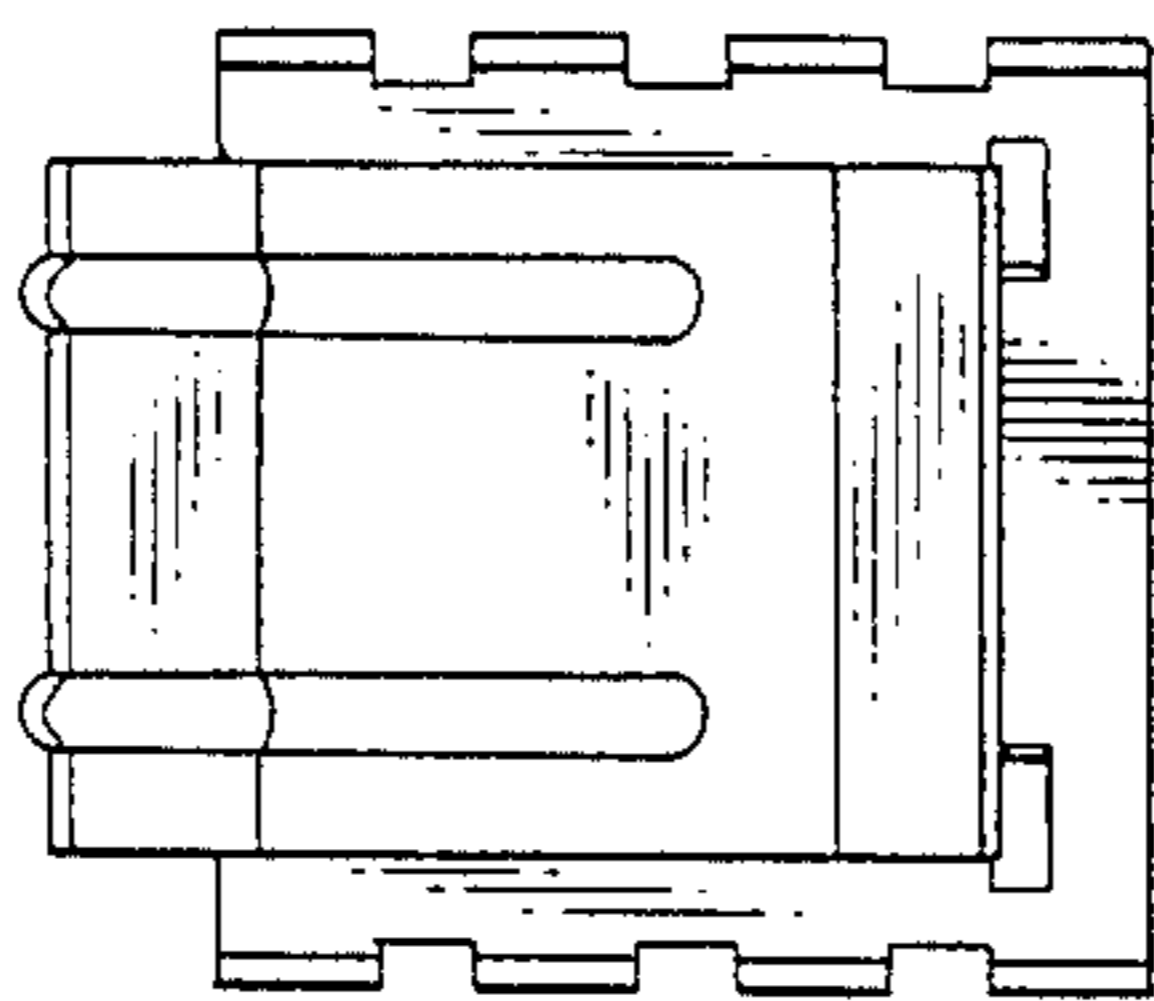


Fig. 3

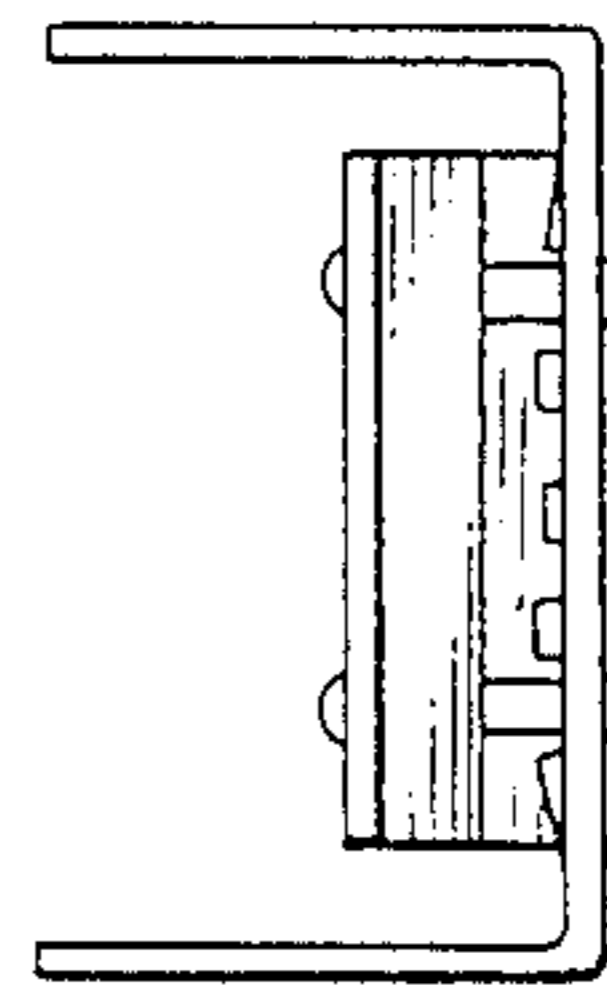


Fig. 4

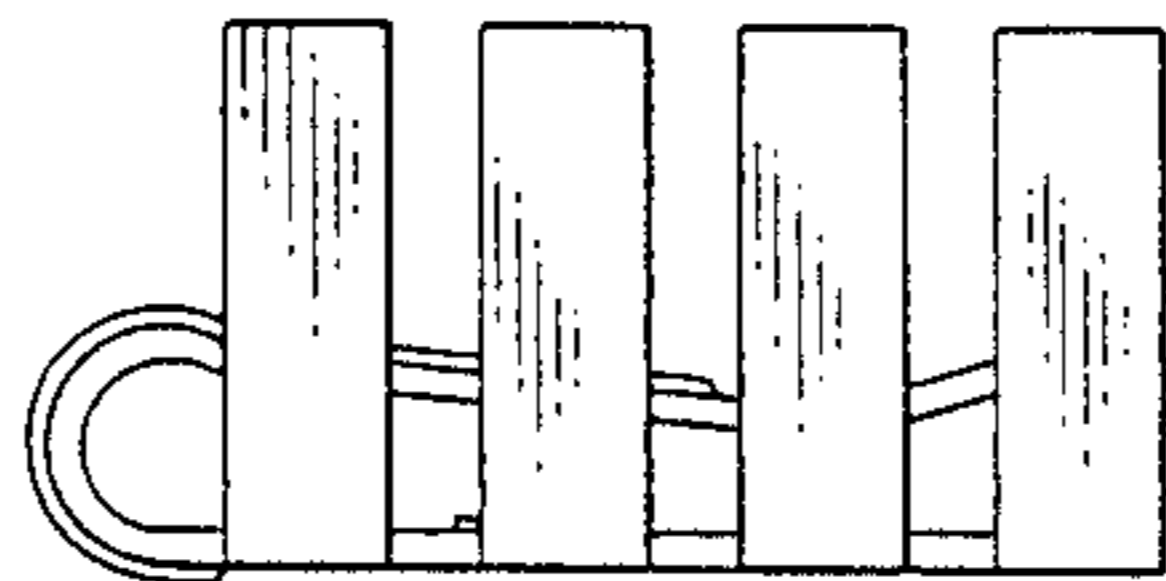


Fig. 5

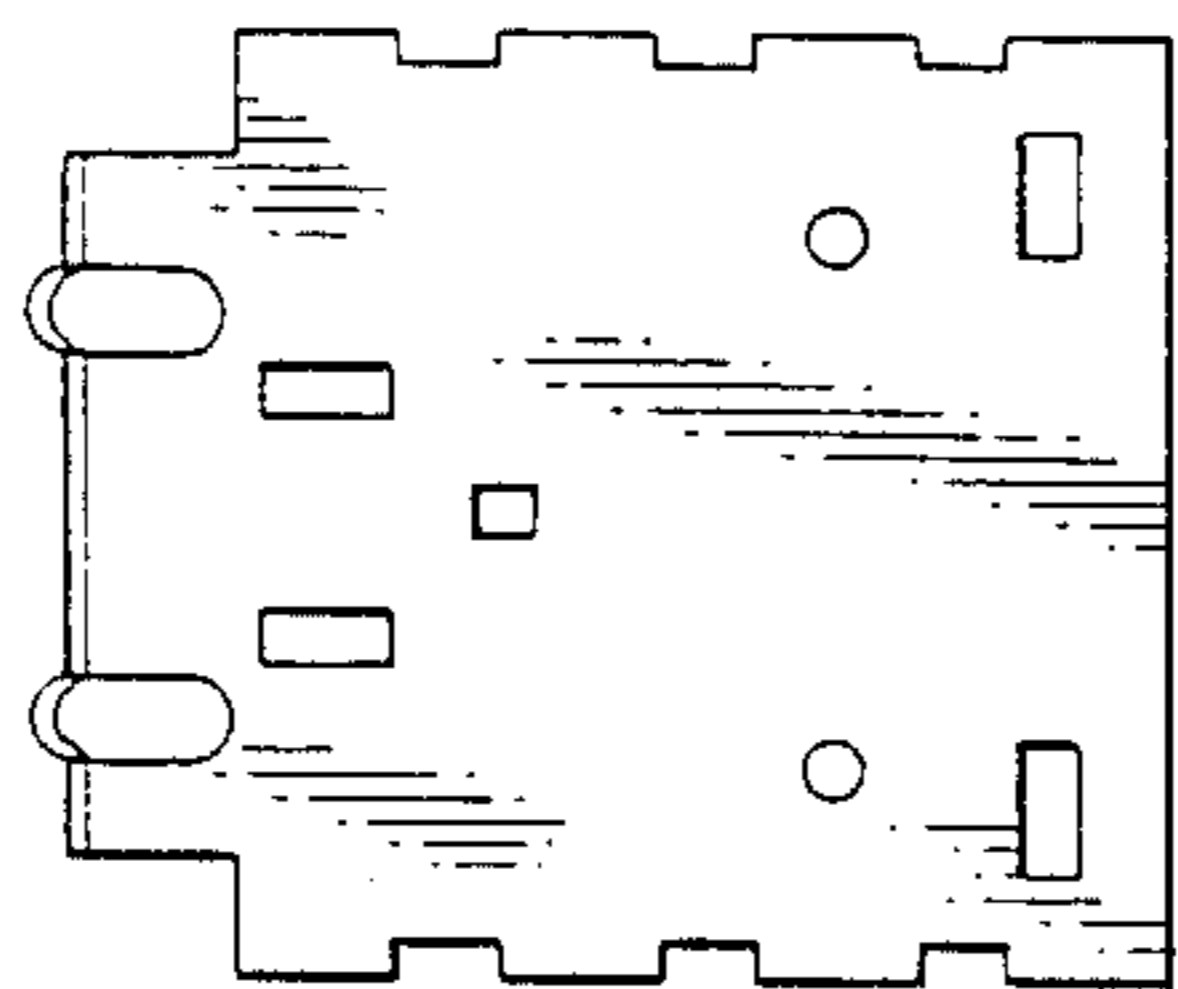


Fig. 6

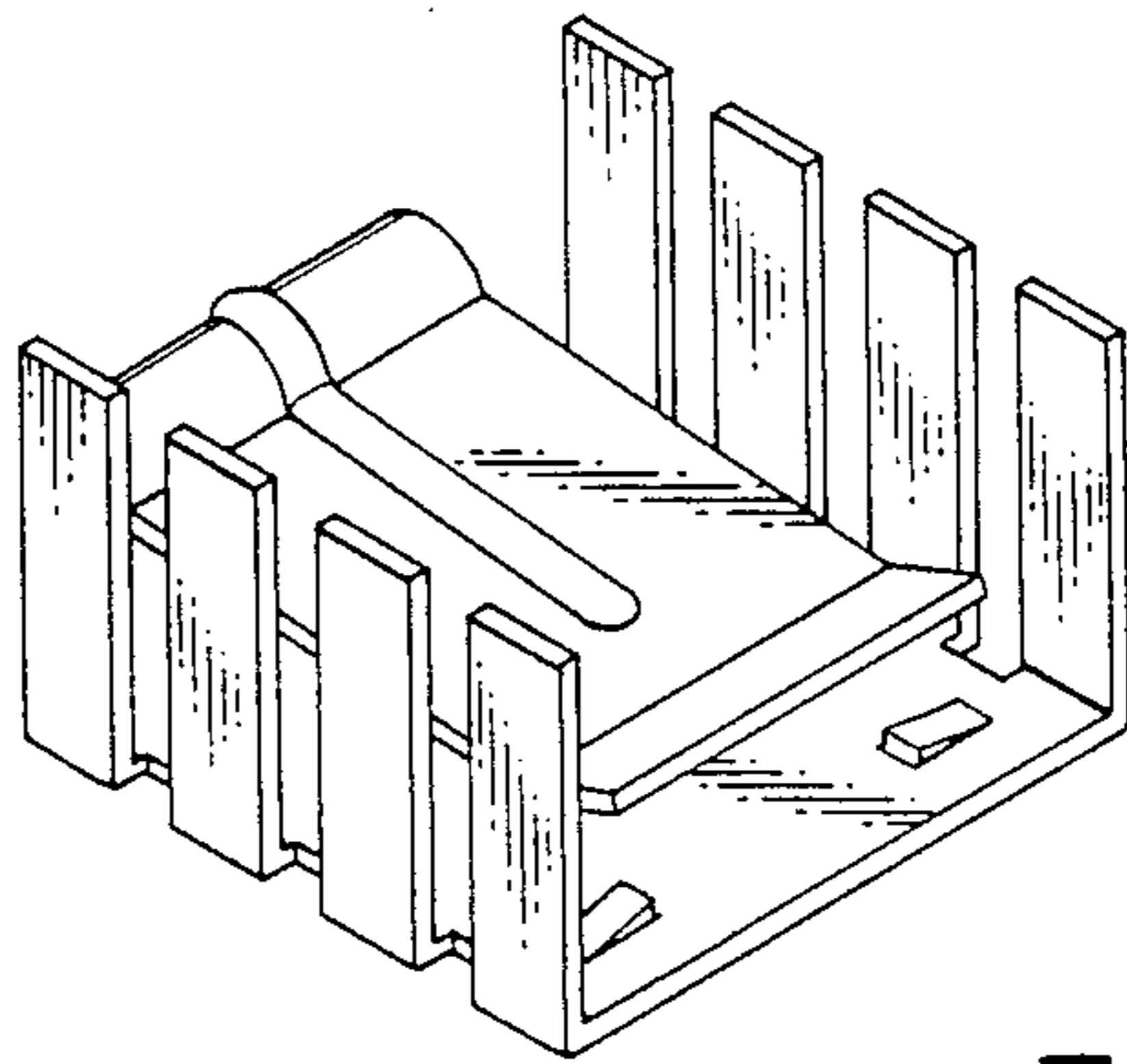


Fig. 7

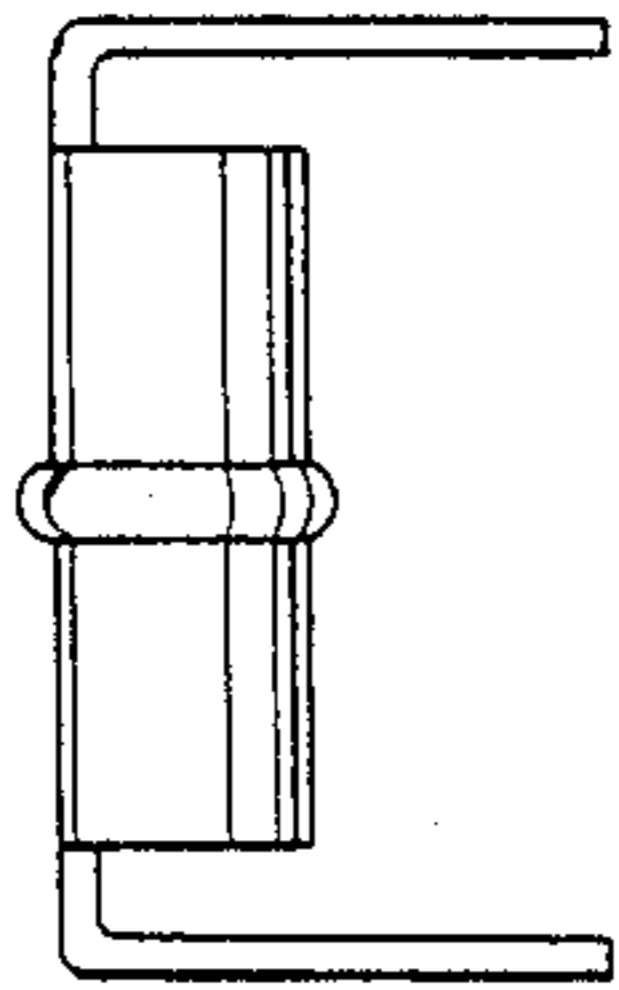


Fig. 8

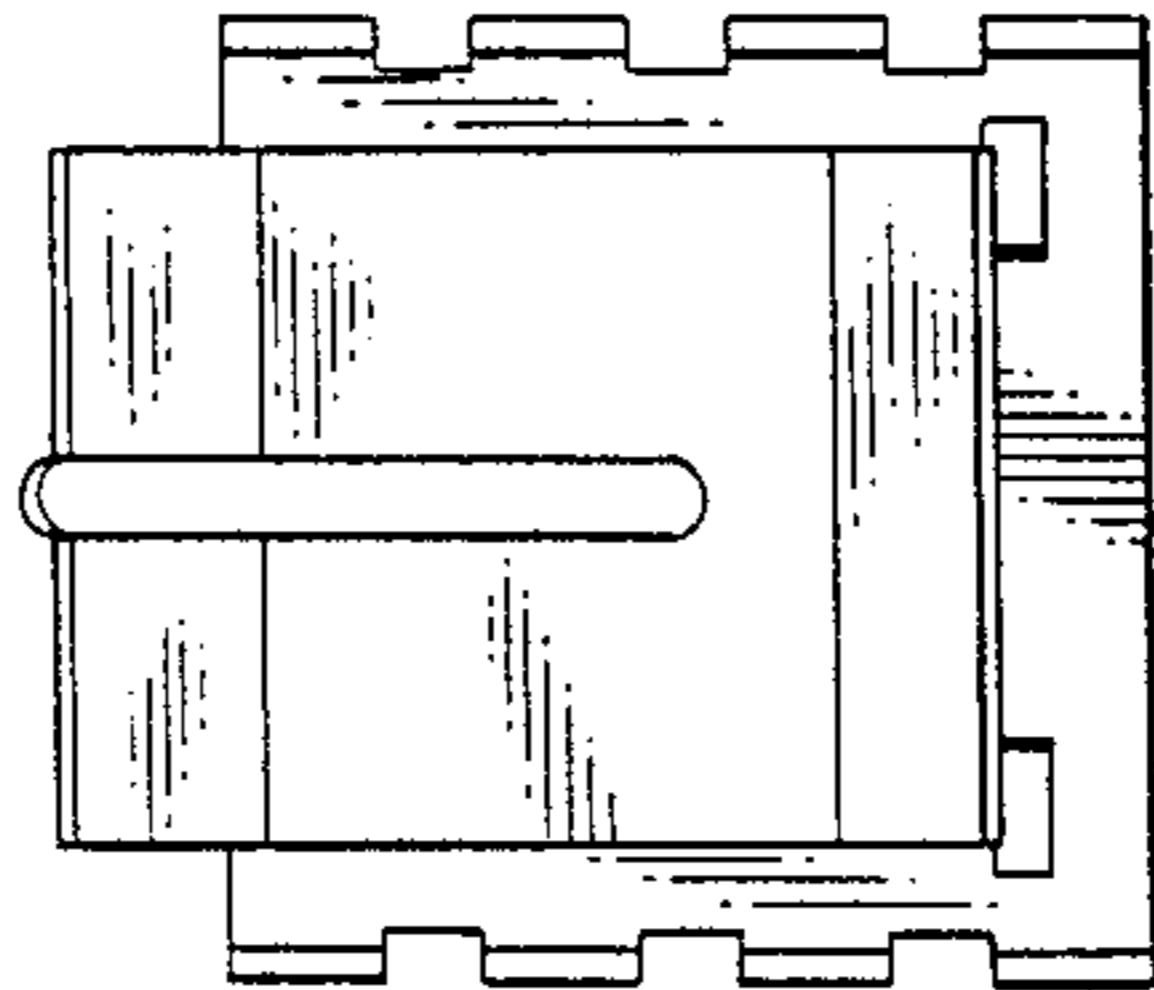


Fig. 9

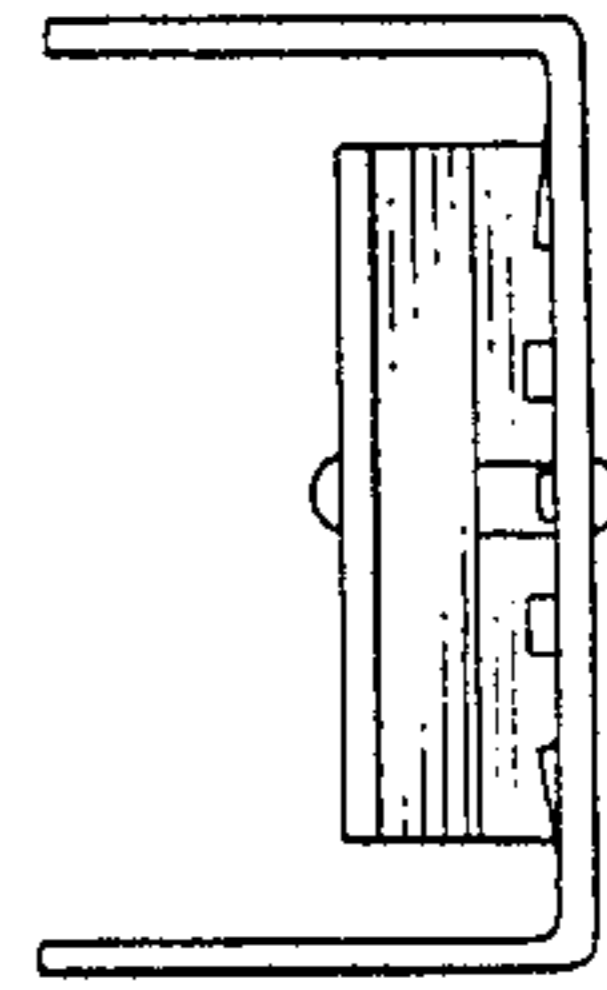


Fig. 10

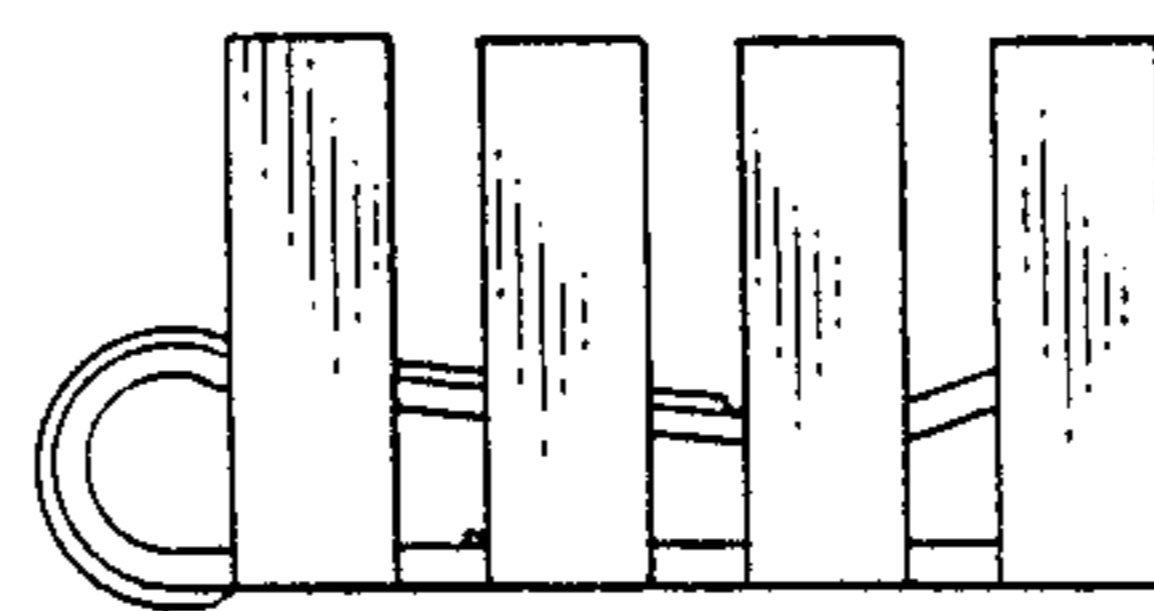


Fig. 11

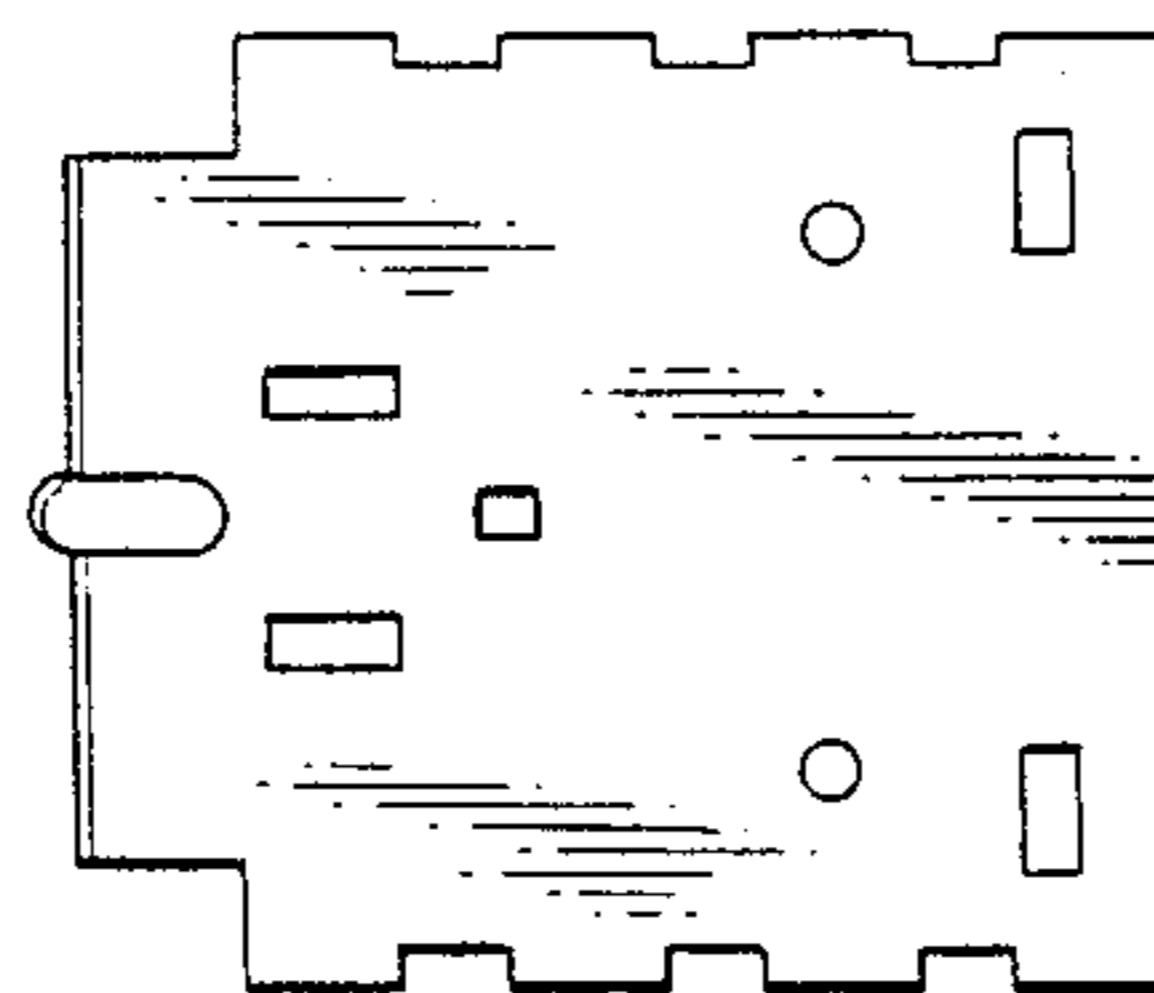


Fig. 12