

[54] VALVE ACTUATOR

[75] Inventor: Ludwig Walser, Oberrohrdorf, Switzerland

[73] Assignee: Georg Fischer Aktiengesellschaft

[\*\*] Term: 14 Years

[21] Appl. No.: 788,233

[22] Filed: Oct. 17, 1985

[30] Foreign Application Priority Data

Apr. 25, 1985 [XH] Hague ..... DM/005 176

[52] U.S. Cl. .... D13/1

[58] Field of Search ..... D13/1-3;  
251/129.01, 129.03, 129.14, 213-214, 218, 291,  
341; D23/20

[56] References Cited

U.S. PATENT DOCUMENTS

D. 140,204 1/1945 Lear ..... D13/2

4,436,278 3/1984 Smith ..... 251/129.03

4,509,556 4/1985 Scanlon ..... 251/213

4,523,737 6/1985 Wentworth ..... 251/213

Primary Examiner—Susan J. Lucas  
Assistant Examiner—Ruth Takemoto

Attorney, Agent, or Firm—Toren, McGeedy & Associates

[57] CLAIM

The ornamental design for valve actuator, as shown.

DESCRIPTION

FIG. 1 is a perspective view of a valve actuator showing my new design;

FIG. 2 is a top plan view thereof;

FIG. 3 is a side elevational view thereof;

FIG. 4 is an end elevational view thereof;

FIG. 5 is a side elevational view thereof, of the opposite side of FIG. 3;

FIG. 6 is an end elevational view thereof, of the opposite side of FIG. 4;

FIG. 7 is a bottom plan view thereof;

FIG. 8 is a perspective view of a second embodiment thereof;

FIG. 9 is a top plan view thereof;

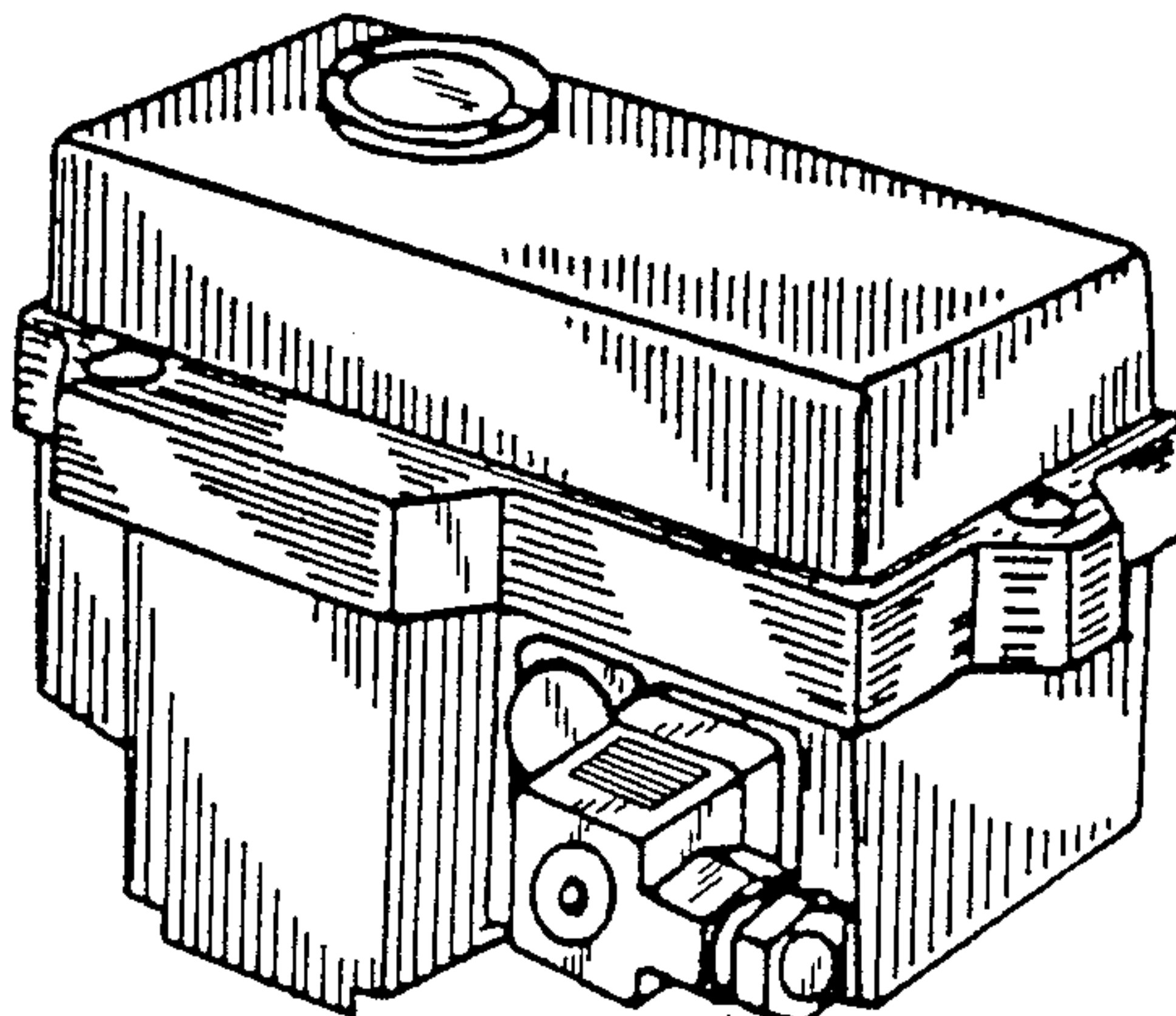
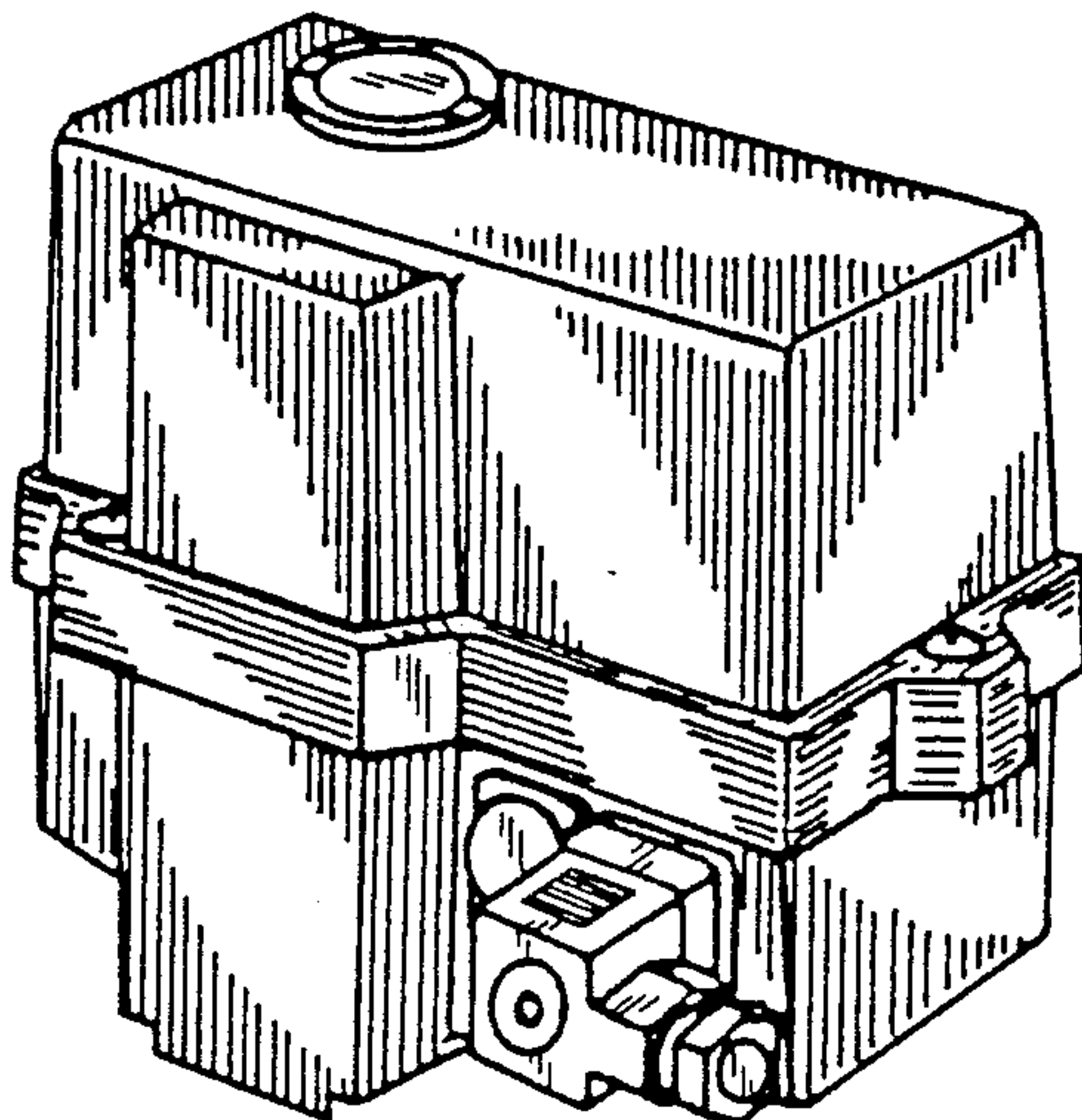
FIG. 10 is a side elevational view thereof;

FIG. 11 is an end elevational view thereof;

FIG. 12 is a side elevational view thereof, of the opposite side of FIG. 10;

FIG. 13 is an end elevational view thereof, of the opposite side of FIG. 11; and

FIG. 14 is a bottom plan view thereof.



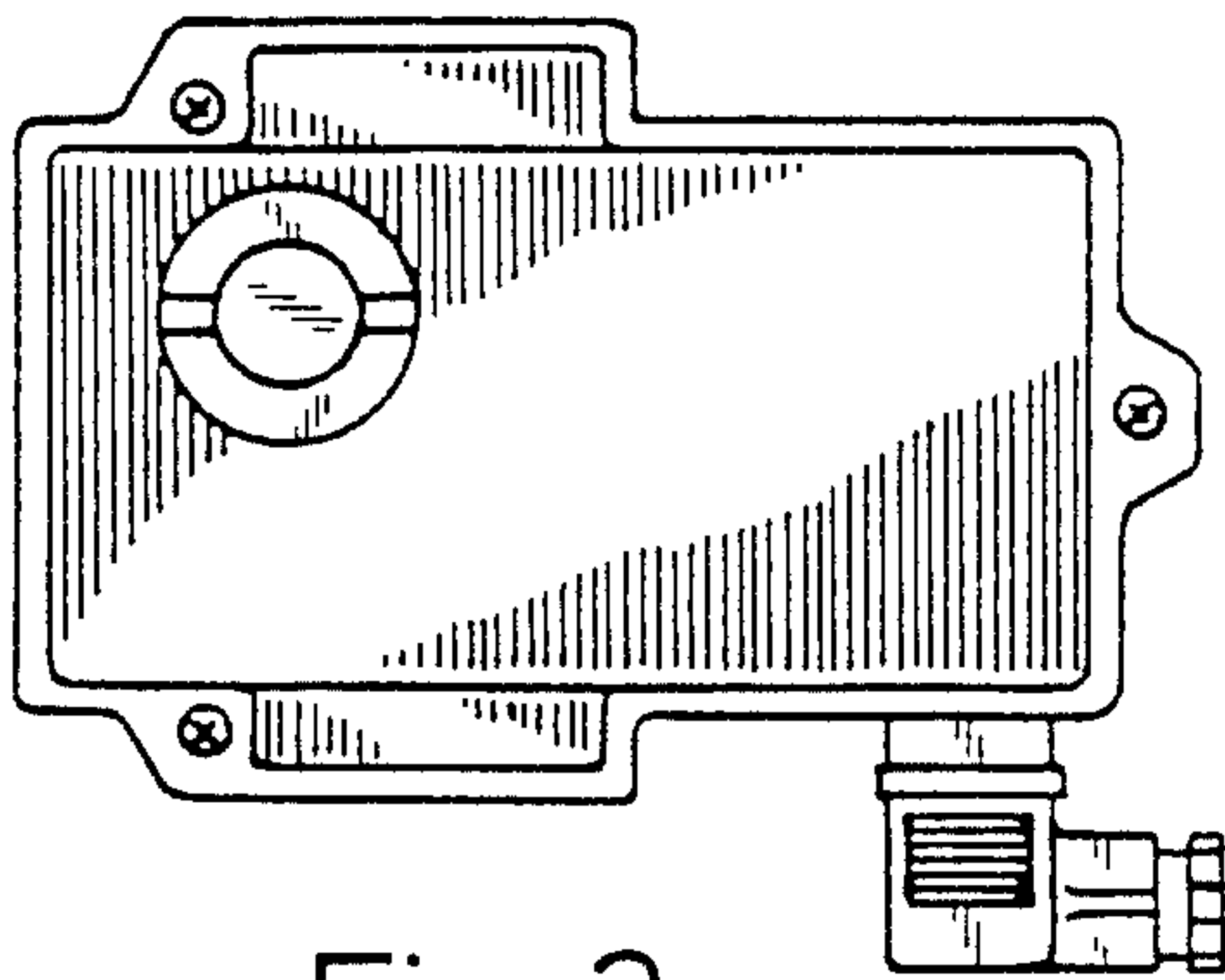


Fig. 2

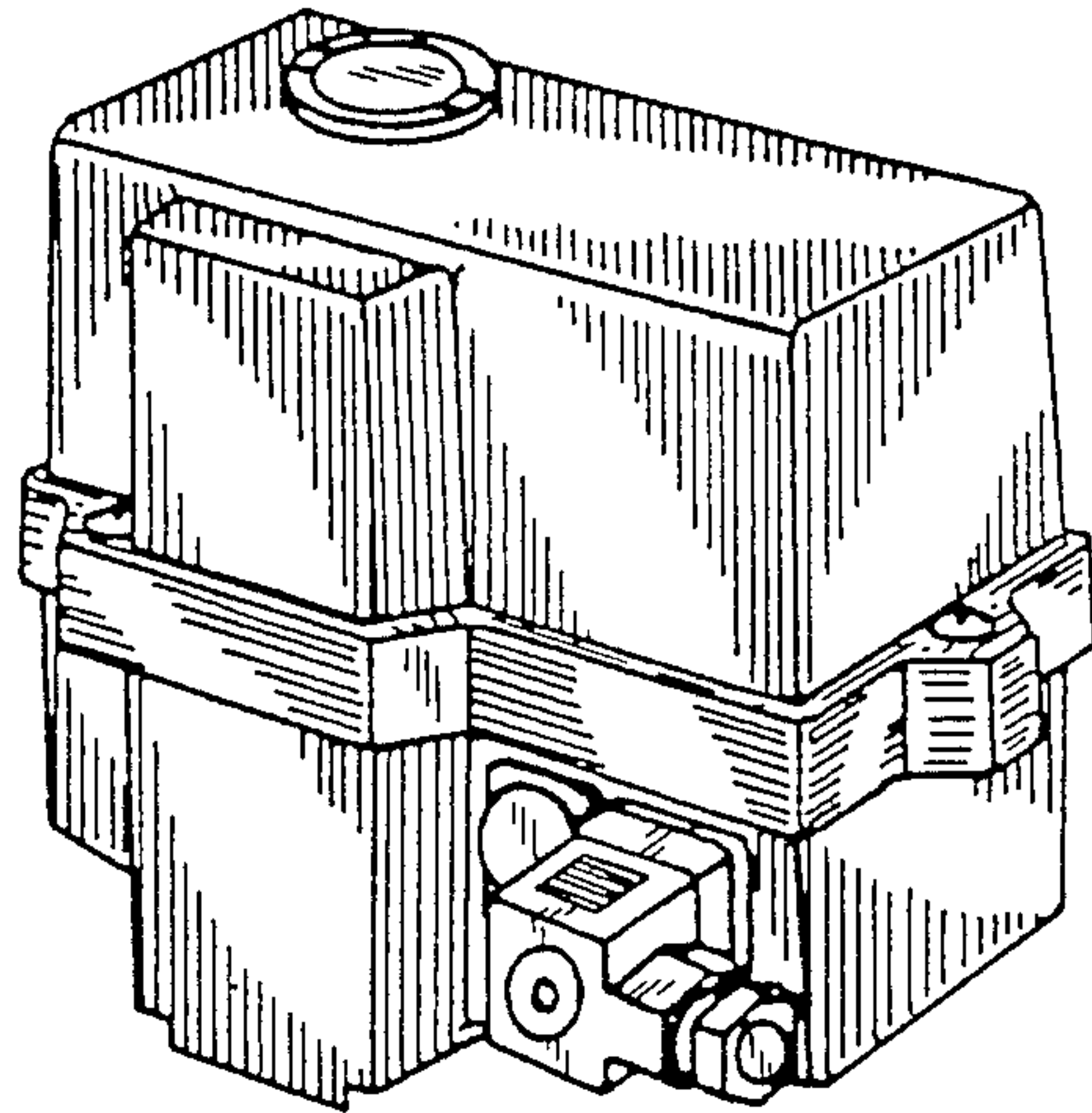


Fig. 1

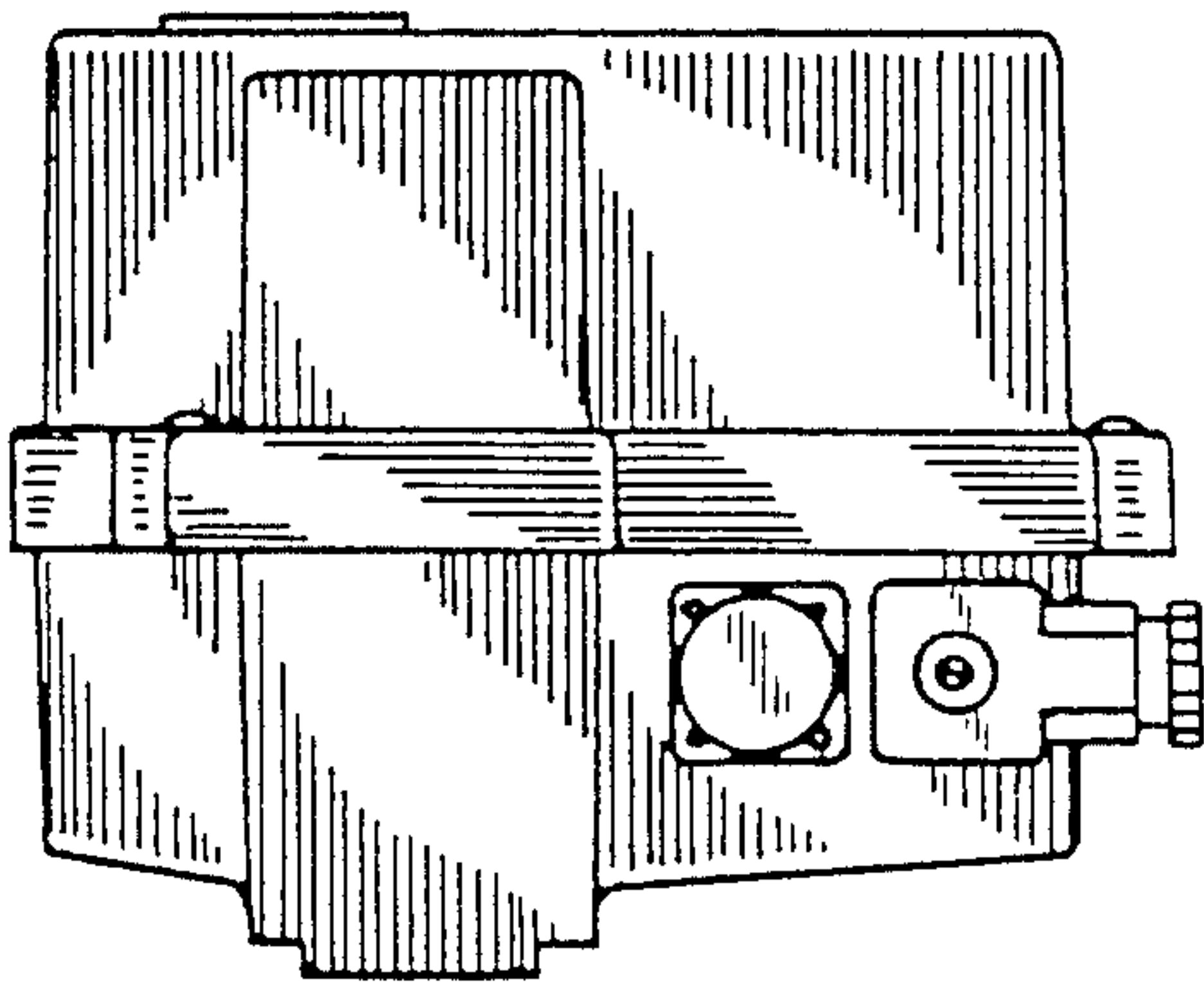


Fig. 3

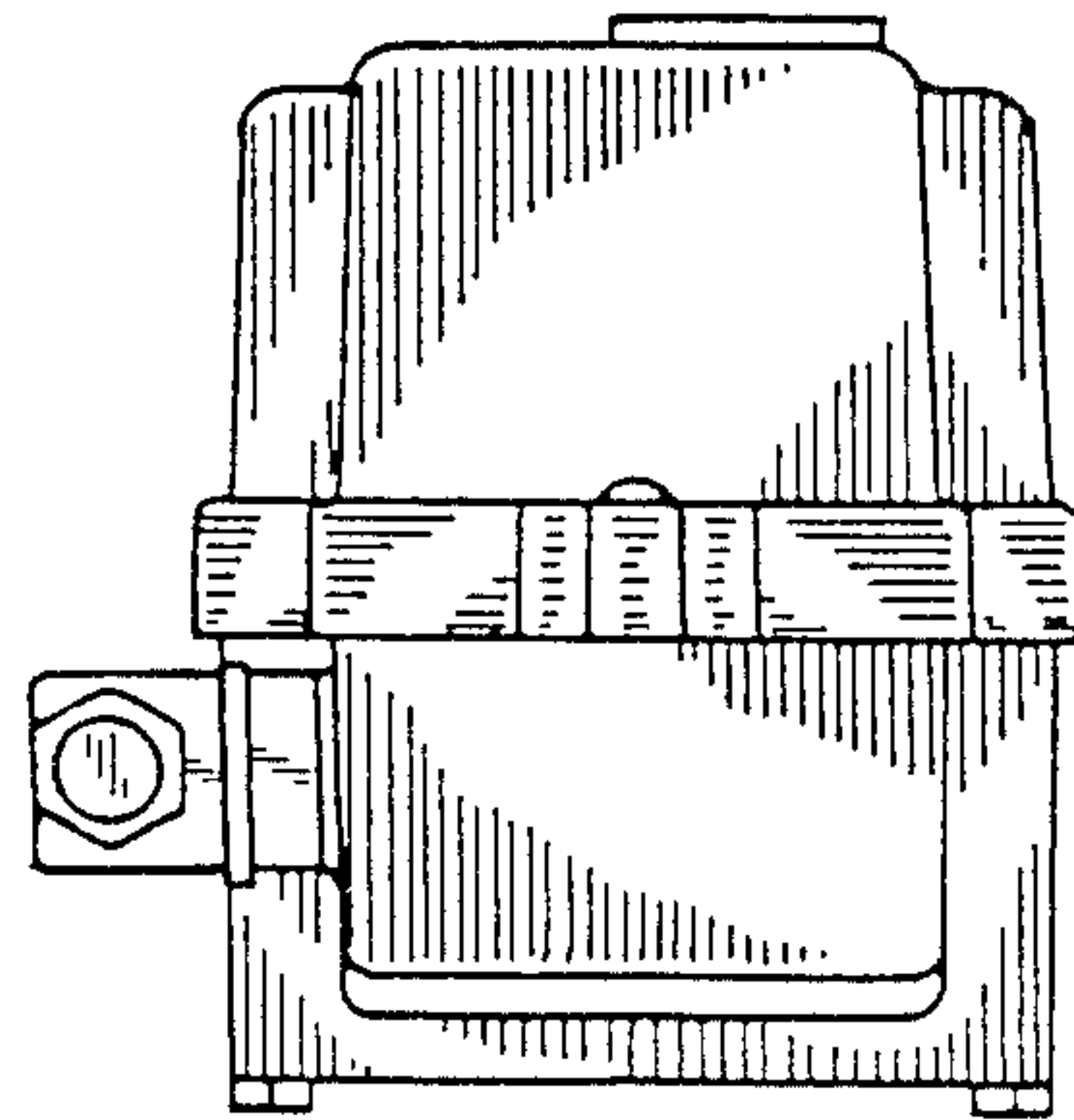


Fig. 4

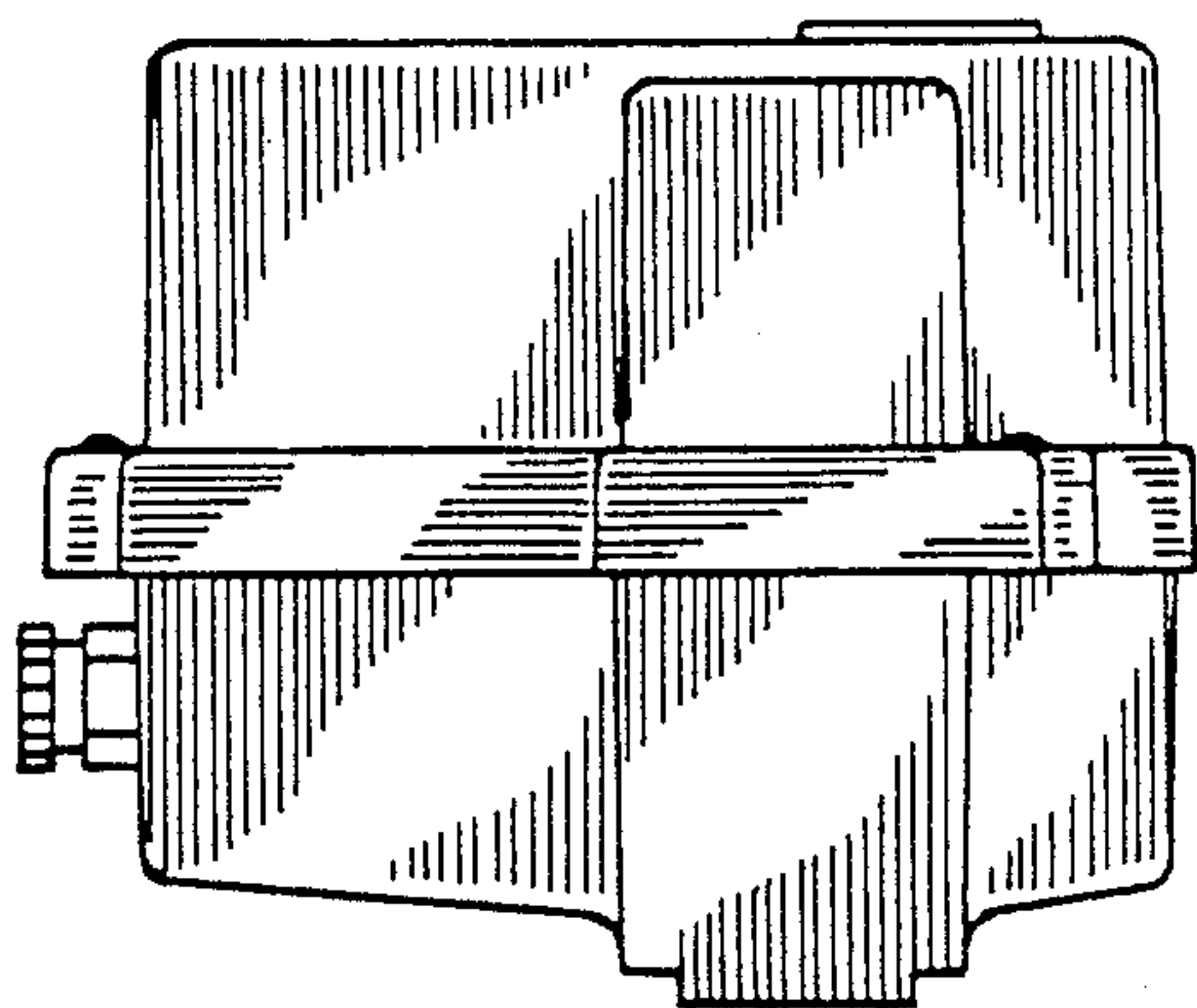


Fig. 5

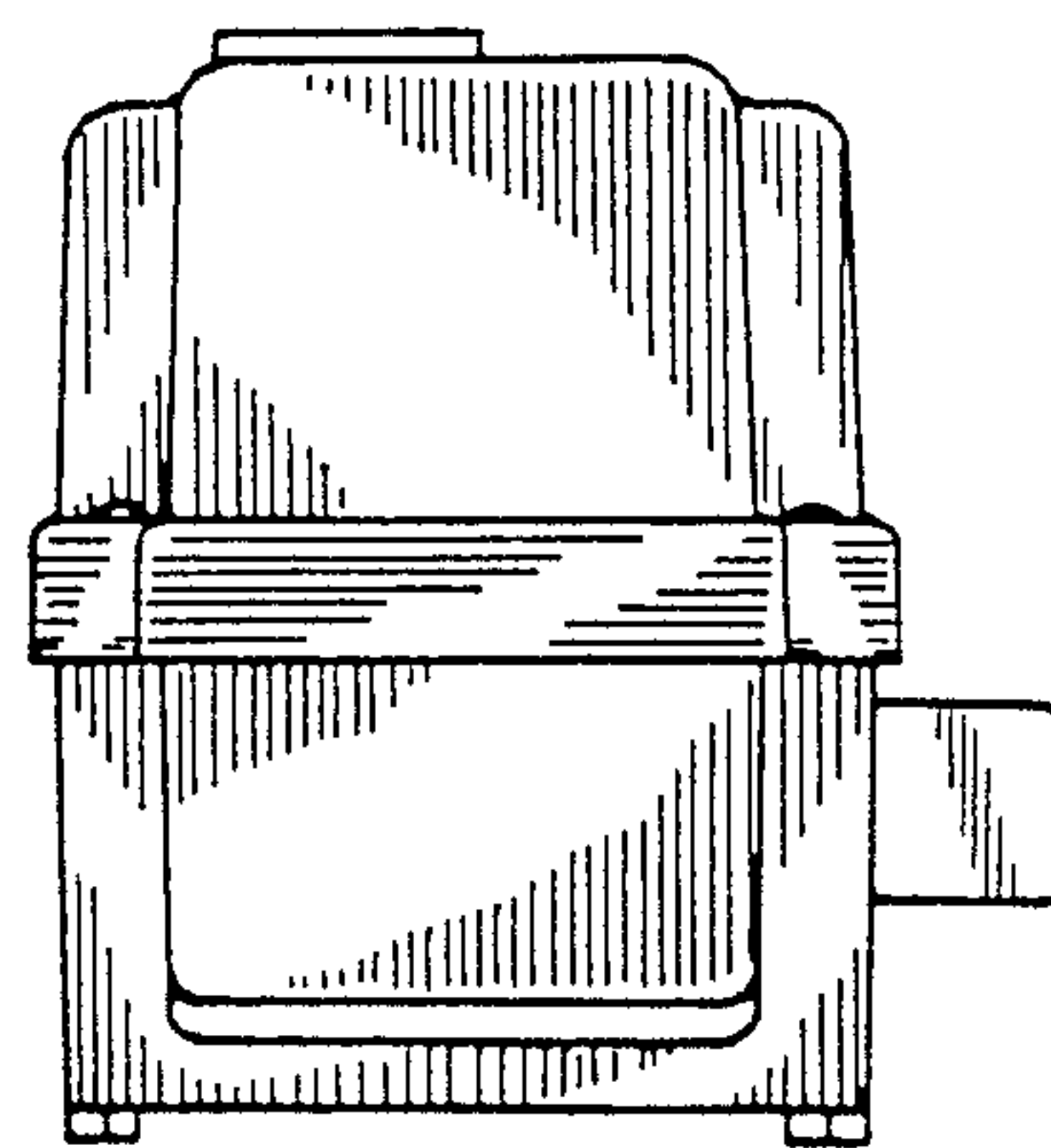


Fig. 6

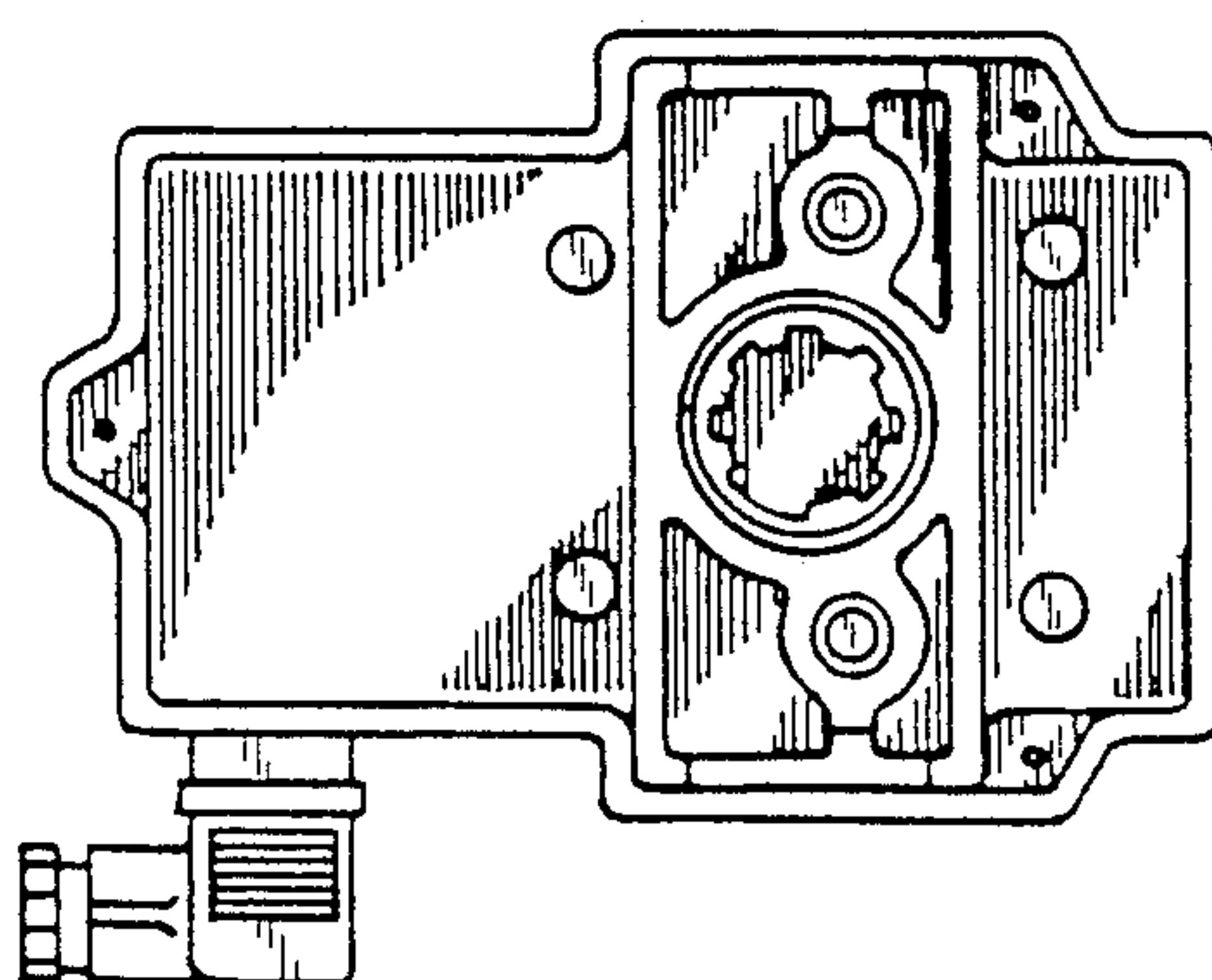


Fig. 7

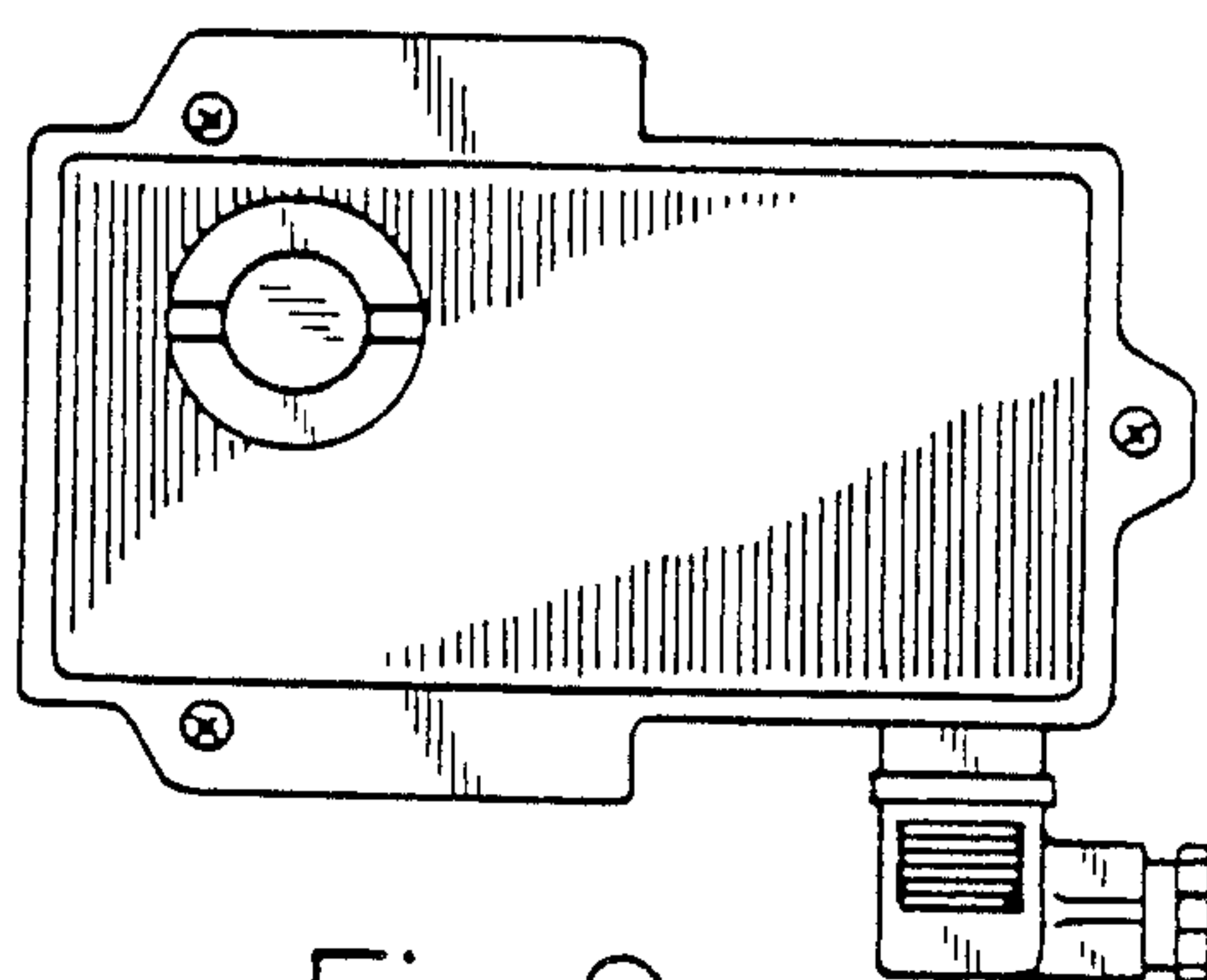


Fig. 9

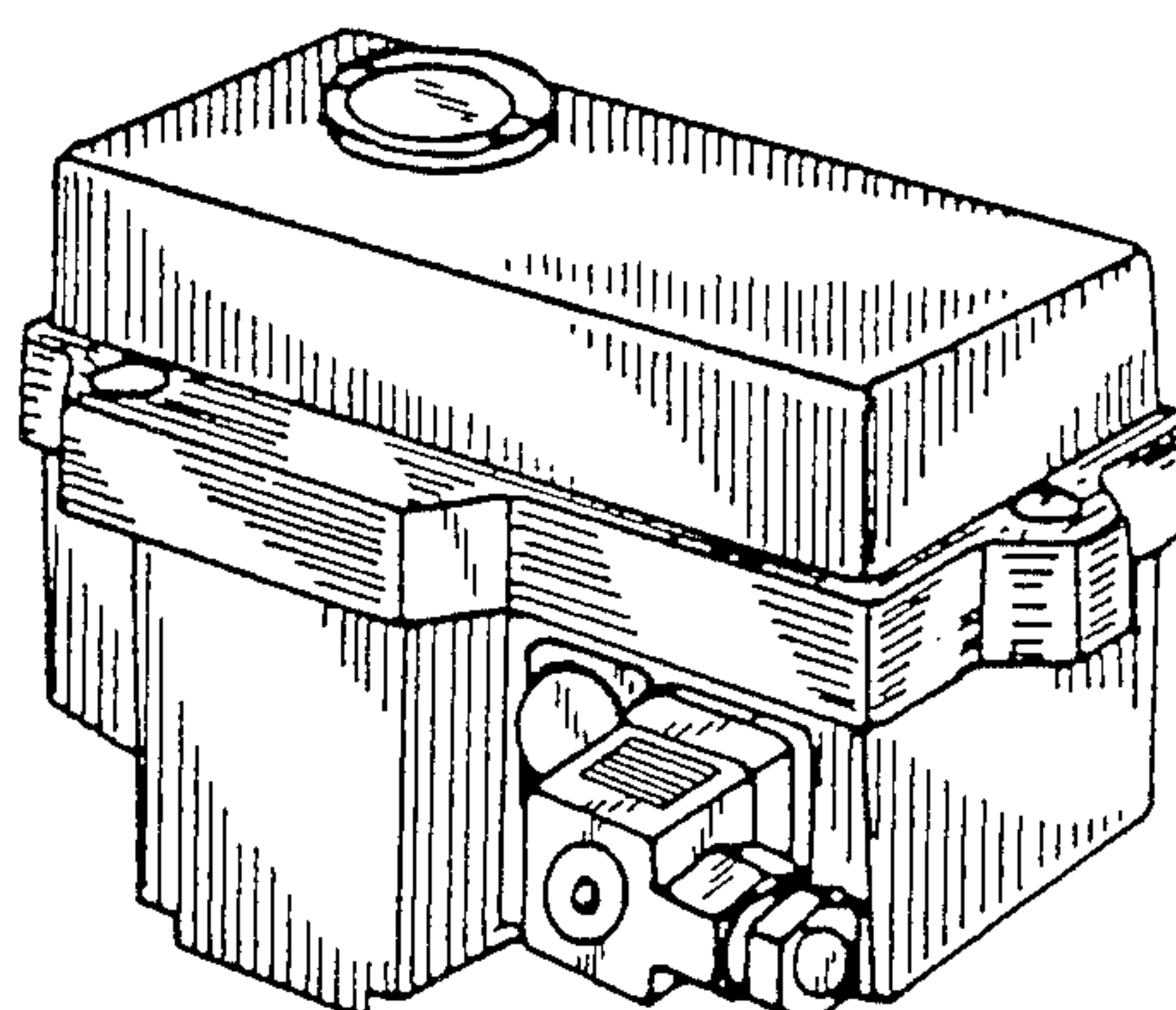


Fig. 8

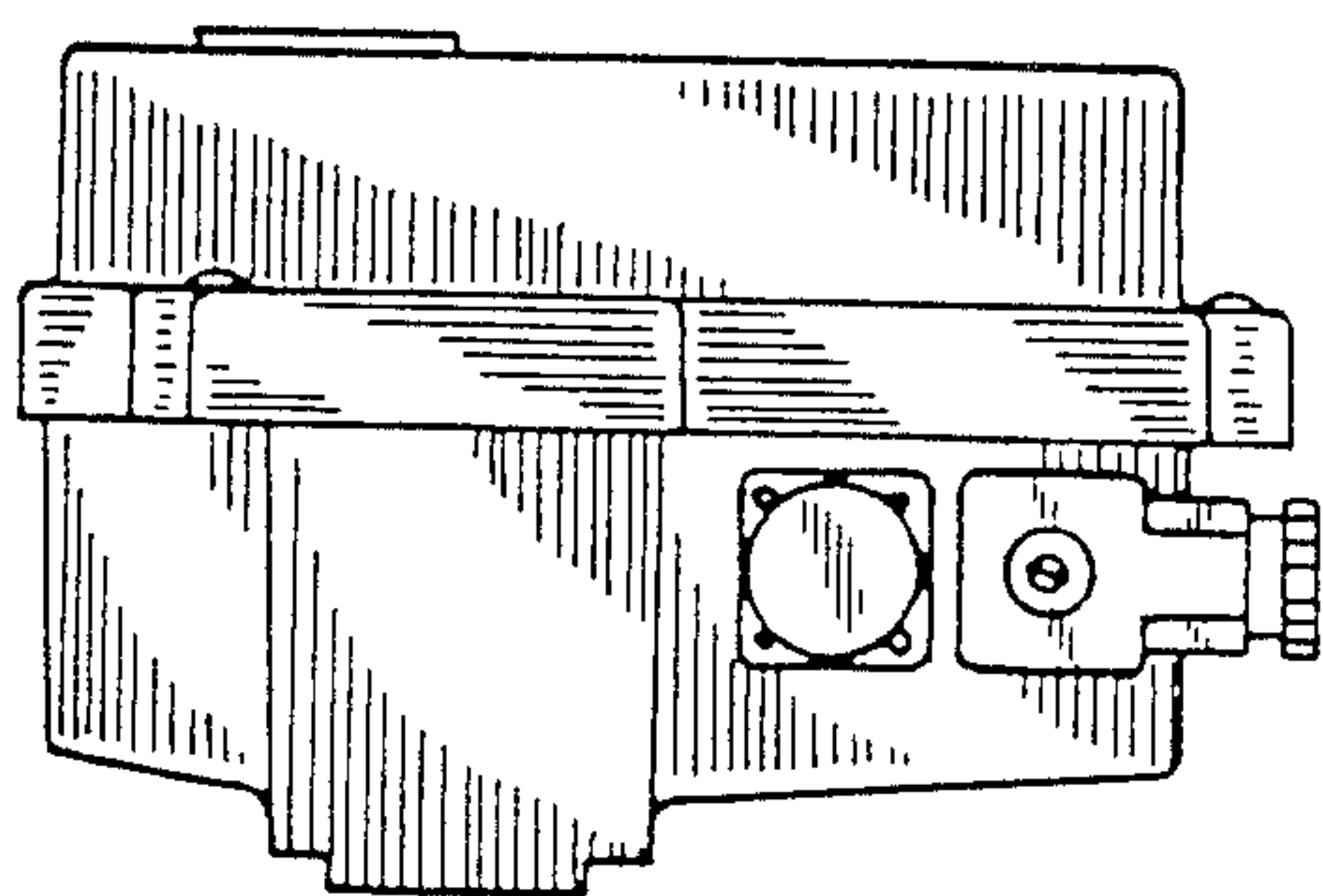


Fig. 10

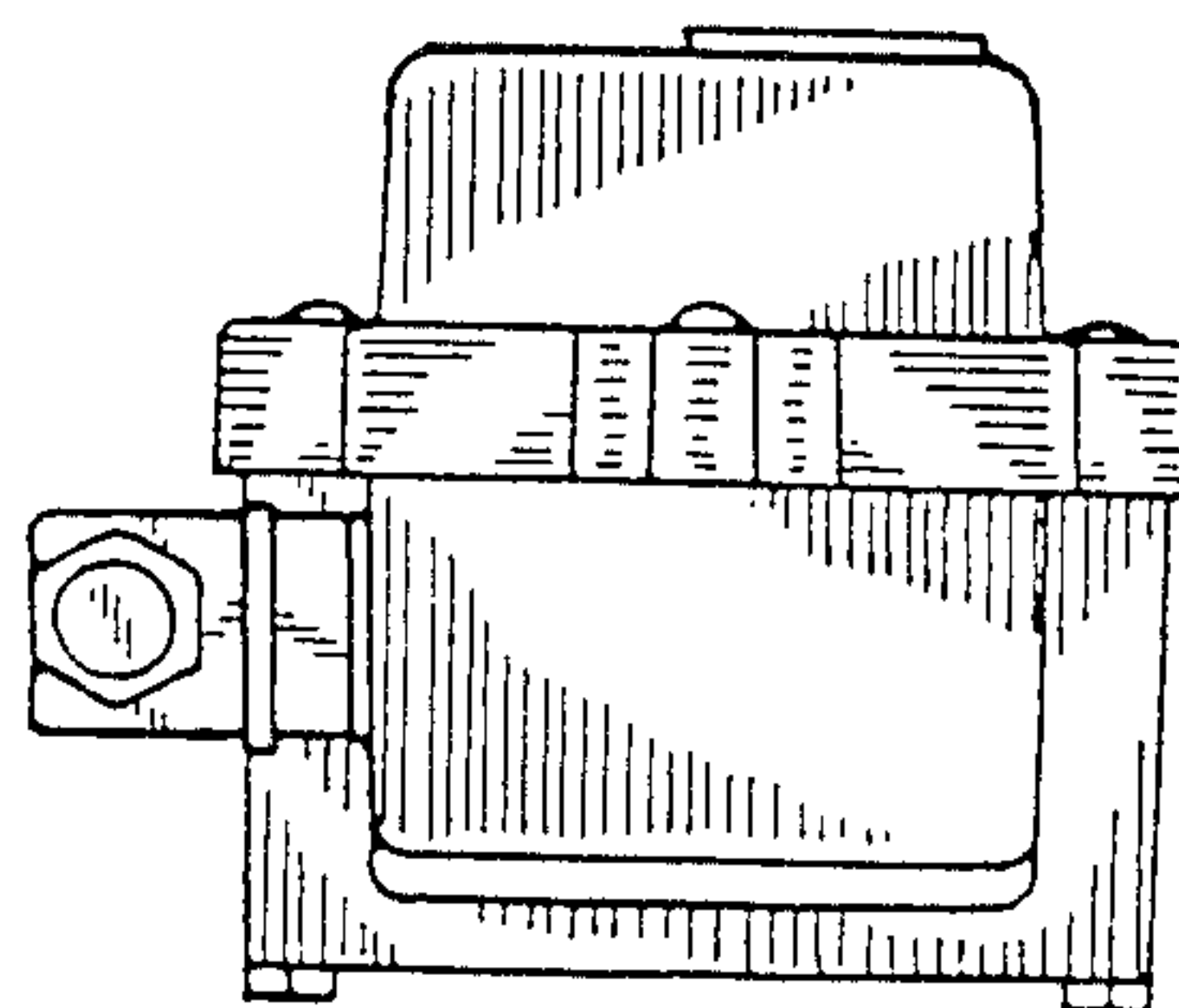


Fig. 11



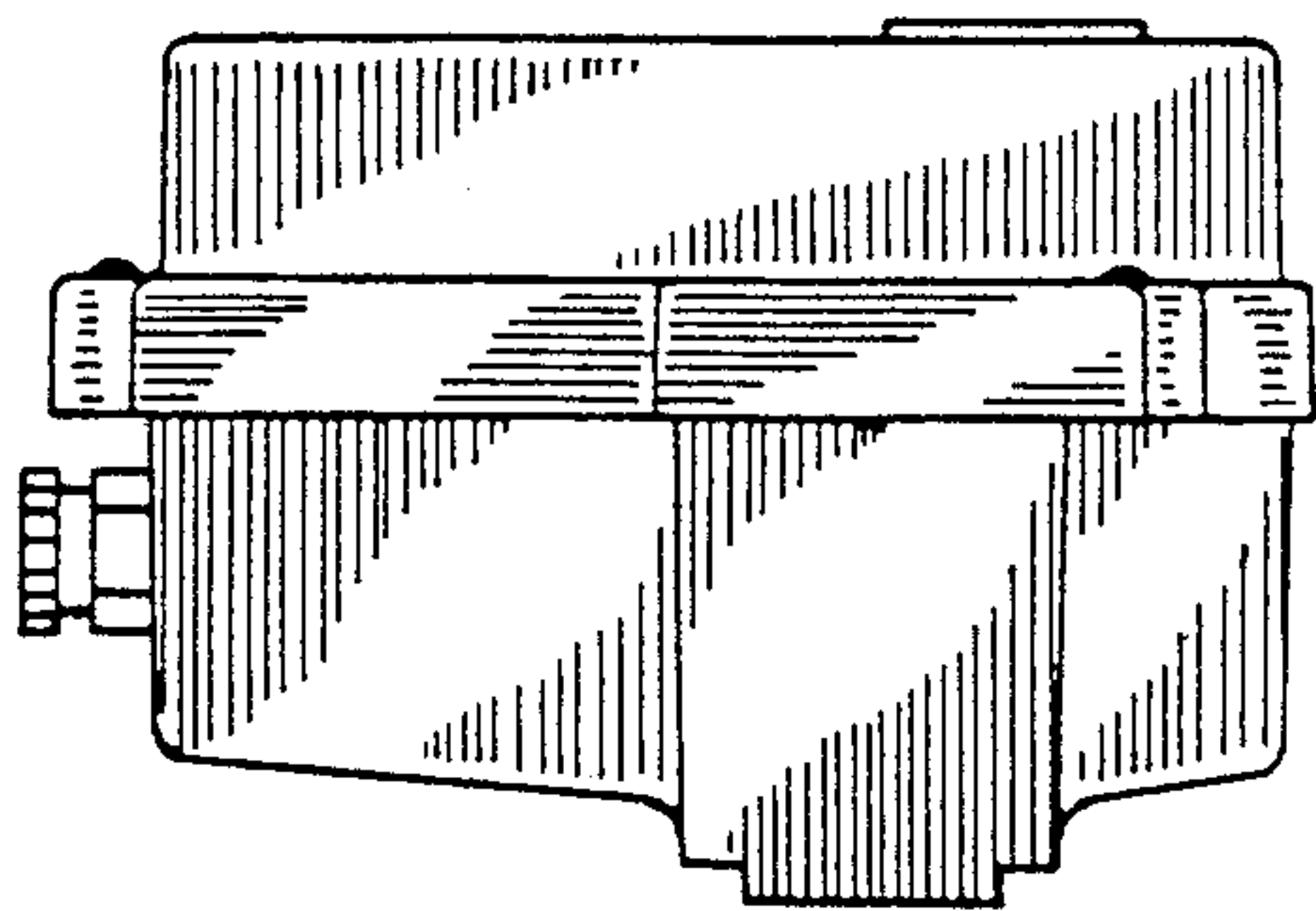


Fig. 12

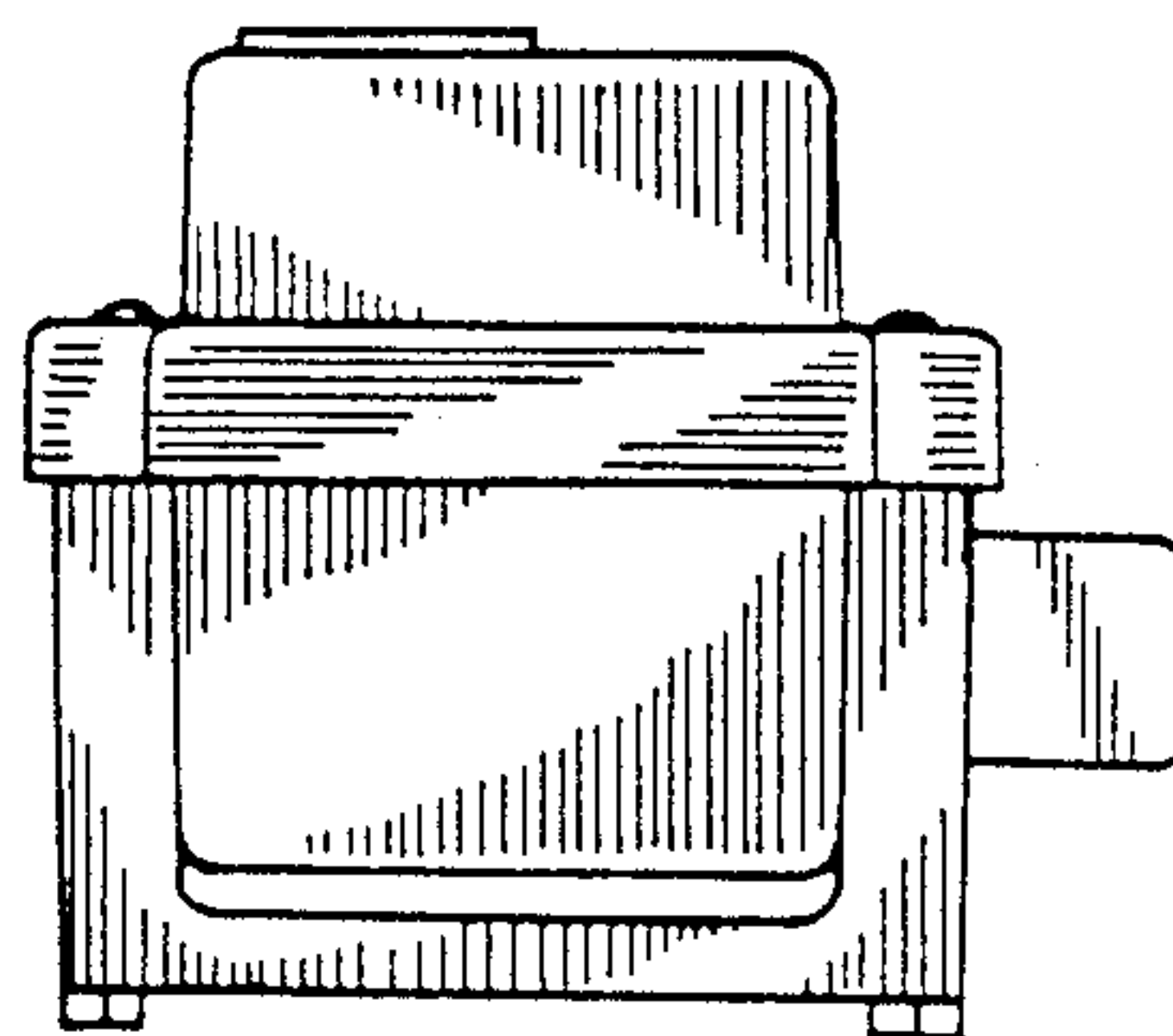


Fig. 13

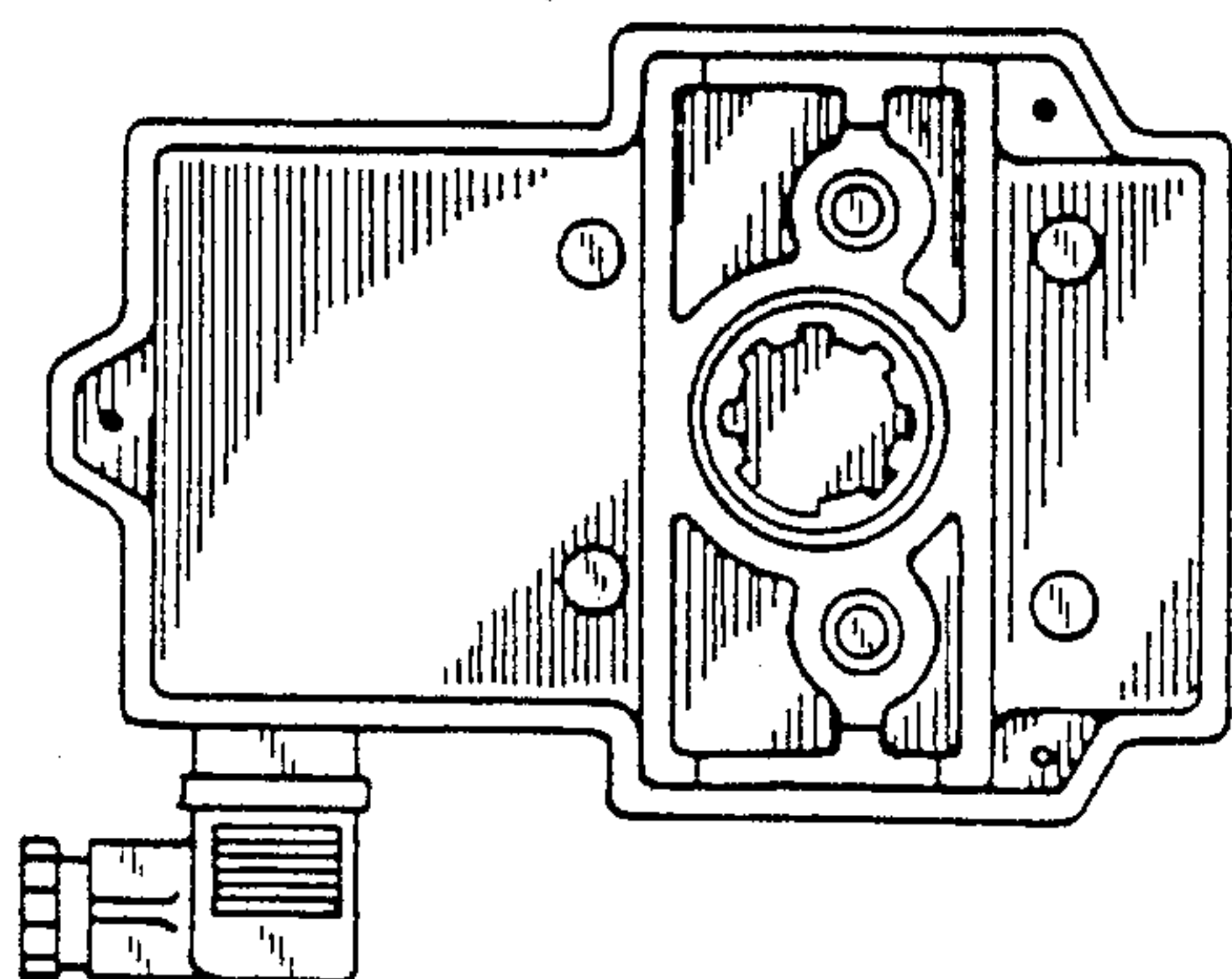


Fig. 14