

[54] AQUATIC CRAFT

[76] Inventor: Harvey E. Diamond, 12953 Woodbridge St., Studio City, Calif. 91604

[\*\*] Term: 14 Years

[21] Appl. No.: 745,592

[22] Filed: Jun. 17, 1985

[30] Foreign Application Priority Data

Dec. 18, 1984 [AU] Australia ..... 9916/14

[52] U.S. Cl. .... D12/307; D12/11

[58] Field of Search ..... D12/307, 300, 11; D21/236, 237; 441/74, 129, 135

[56] References Cited

U.S. PATENT DOCUMENTS

3,276,050 10/1966 Edwards ..... 441/74

FOREIGN PATENT DOCUMENTS

1171591 11/1969 United Kingdom ..... 441/135  
1397456 6/1975 United Kingdom ..... 441/135

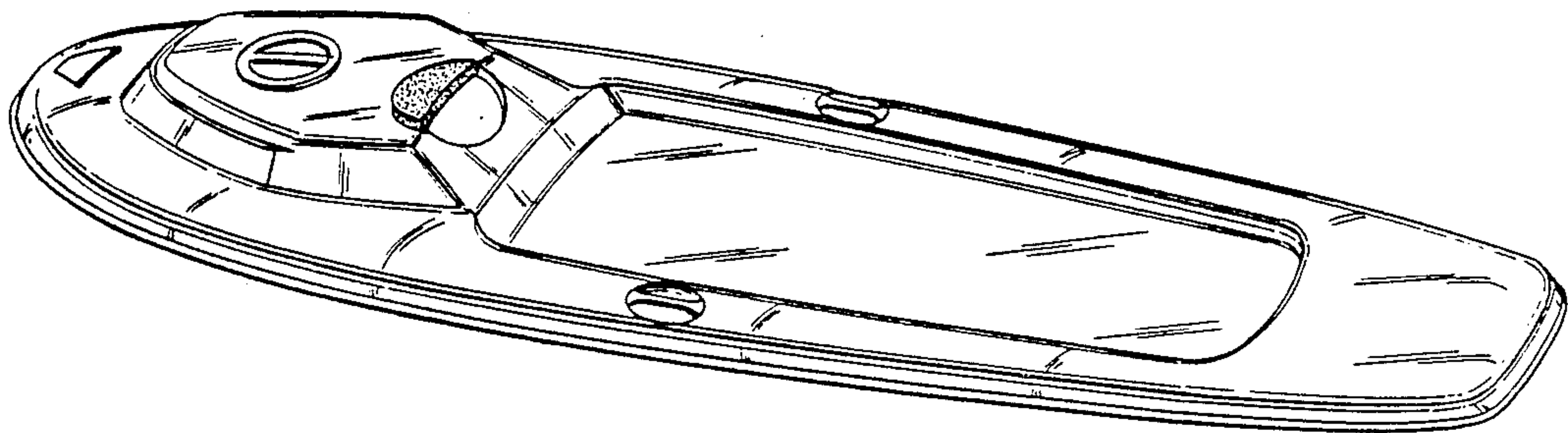
Primary Examiner—James M. Gandy  
Assistant Examiner—Kay H. Chin  
Attorney, Agent, or Firm—Drucker & Sommers

[57] CLAIM

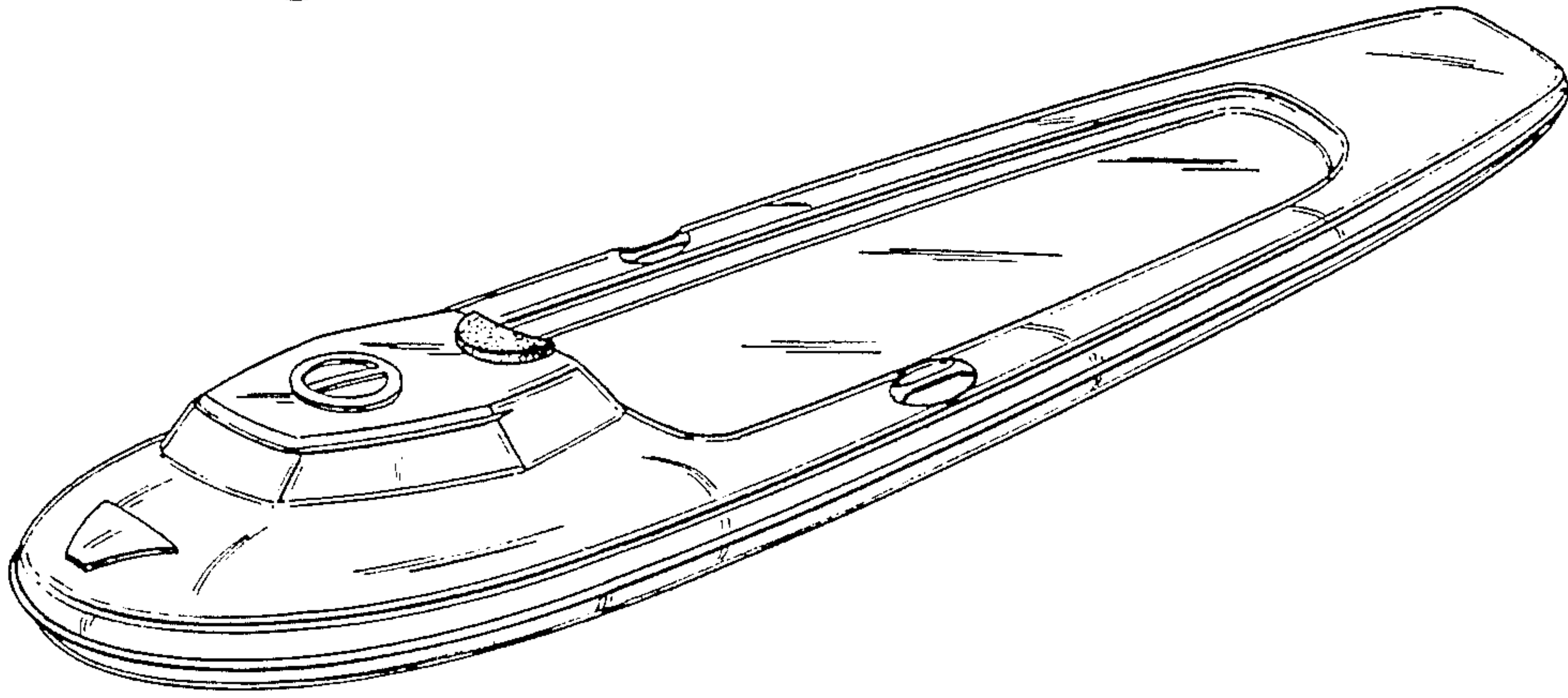
The ornamental design for an aquatic craft, as shown and described.

DESCRIPTION

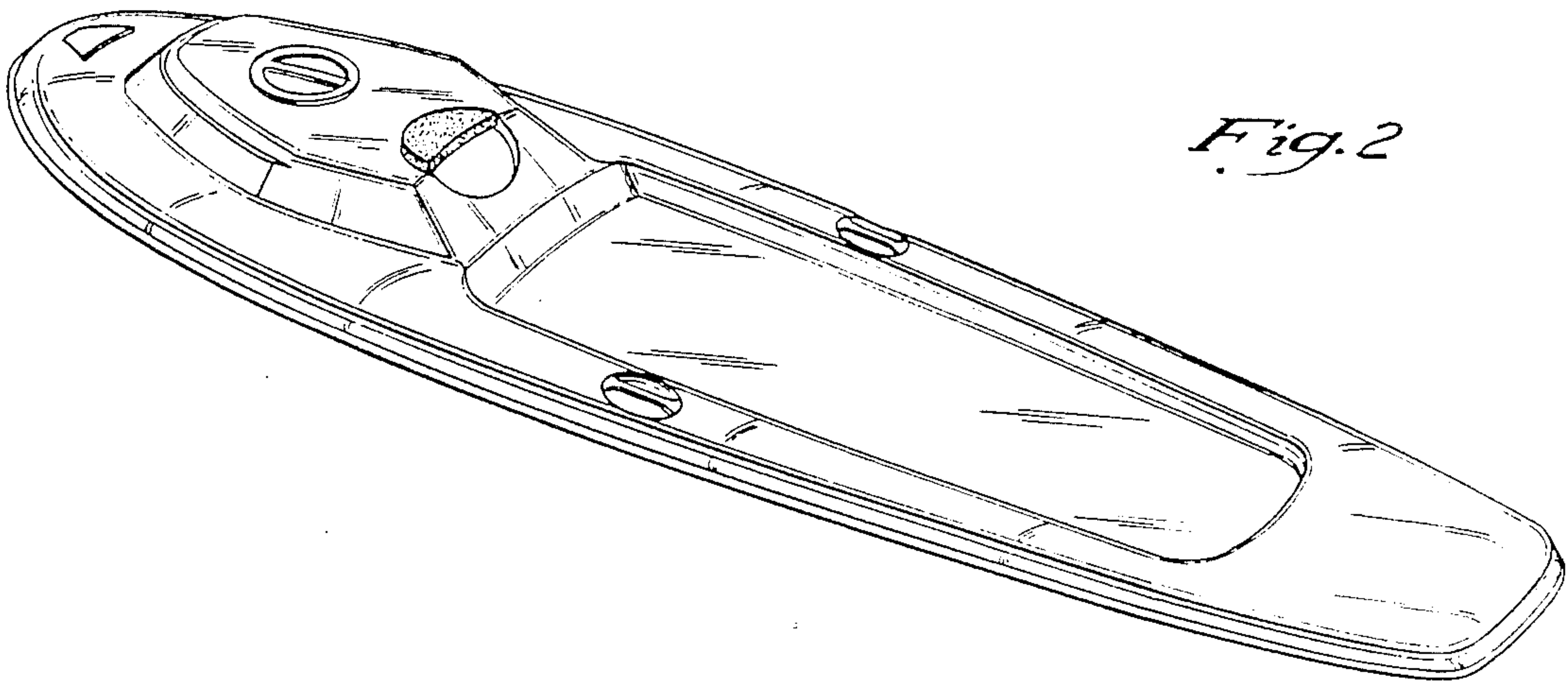
FIG. 1 is a front perspective view of an aquatic craft showing my new design;  
FIG. 2 is a top perspective view thereof;  
FIG. 3 is a bottom perspective view thereof;  
FIG. 4 is a front perspective view of an aquatic craft showing a second embodiment;  
FIG. 5 is a top perspective view of FIG. 4;  
FIG. 6 is a bottom perspective view of FIG. 4.



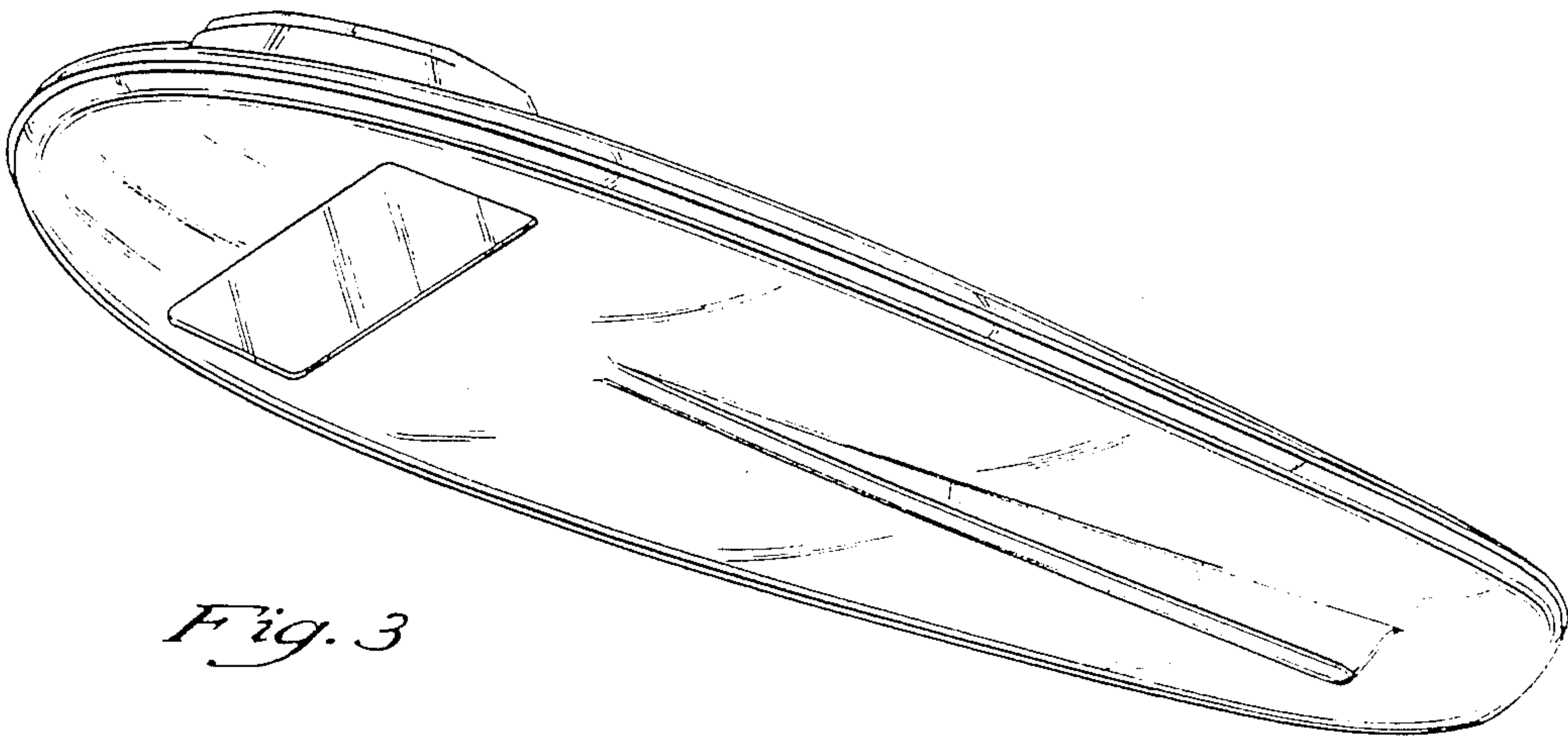
*Fig. 1*



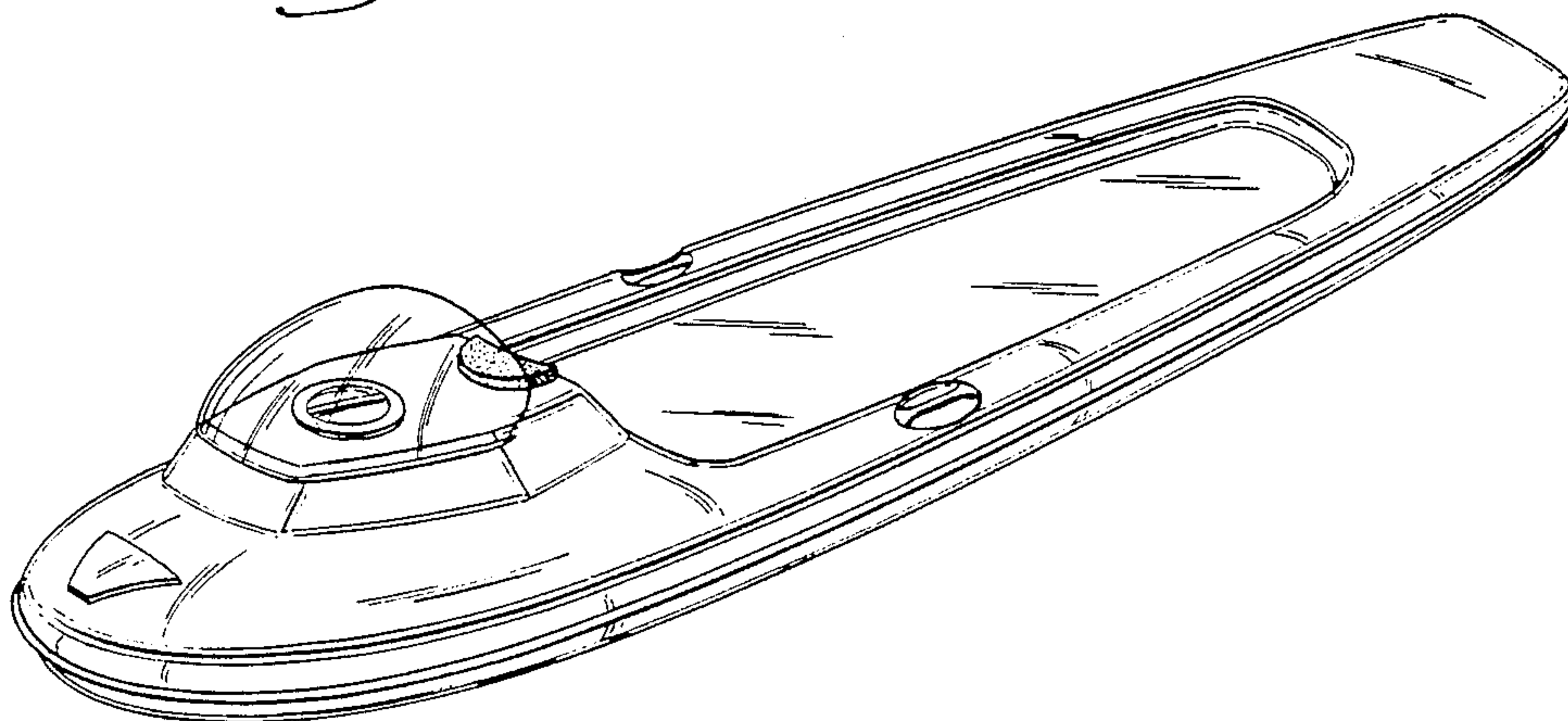
*Fig. 2*



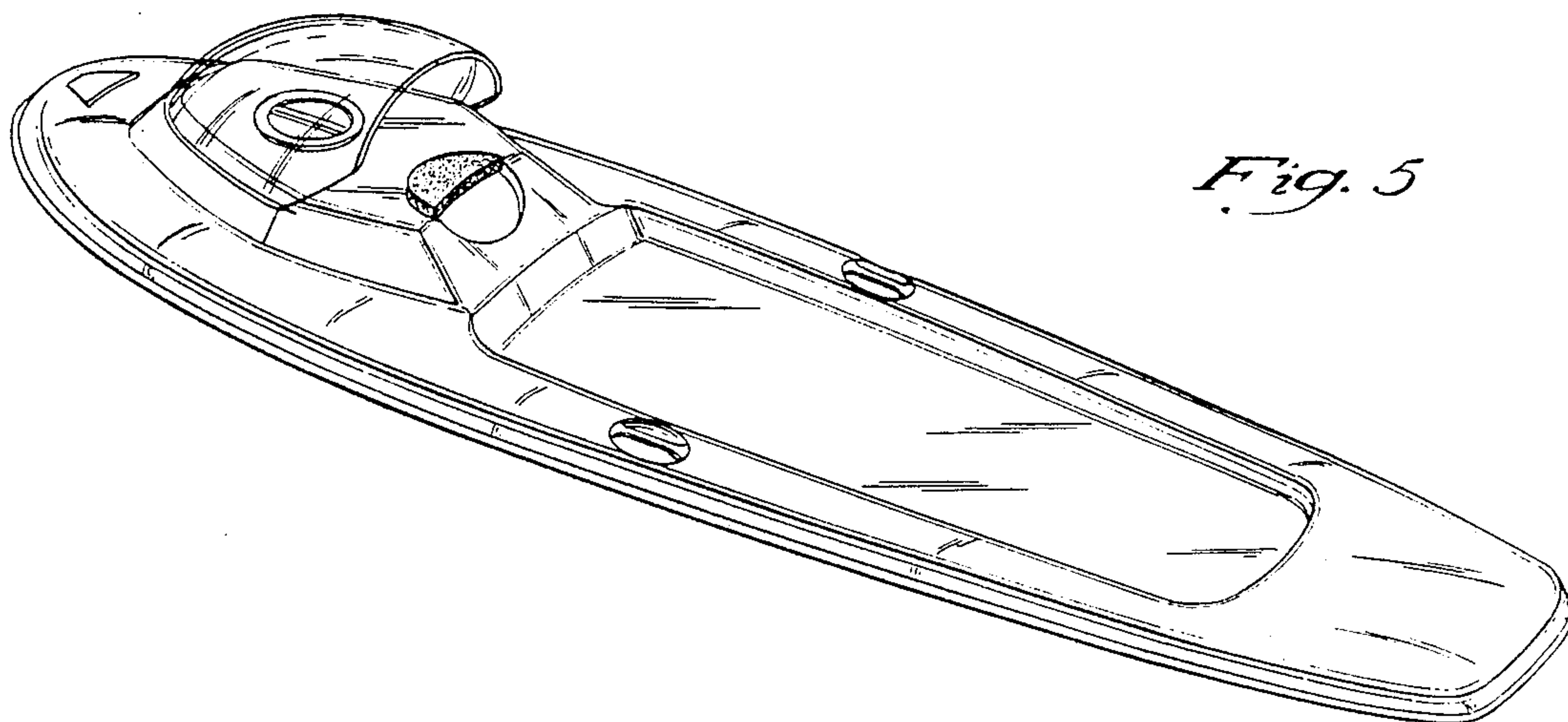
*Fig. 3*



*Fig. 4*



*Fig. 5*



*Fig. 6*

