

[54] FOUR-WHEELED MOTORCYCLE

[75] Inventors: Kazuhiko Saito, Tokyo; Kazuhiko Yokoyama, Saitama; Shoji Yamamoto, Tokyo, all of Japan

[73] Assignee: Honda Giken Kogyo Kabushiki Kaisha, Tokyo, Japan

[**] Term: 14 Years

[21] Appl. No.: 716,824

[22] Filed: Mar. 27, 1985

[30] Foreign Application Priority Data

| | | |
|----------------------|-----------------------------------------------|----------|
| Oct. 3, 1984 [JP] | Japan | 59-41133 |
| [52] U.S. Cl. | | D12/107 |
| [58] Field of Search | D12/107, 110; 180/219, 180/233, 311, 312, 215 | |

[56] References Cited

U.S. PATENT DOCUMENTS

| | | | |
|------------|---------|---------------|---------|
| D. 277,088 | 1/1985 | Murakami | D12/107 |
| D. 285,058 | 8/1986 | Takagaki | D12/107 |
| D. 285,424 | 9/1986 | Hishinuma | D12/107 |
| D. 286,866 | 11/1986 | Makita et al. | D12/107 |

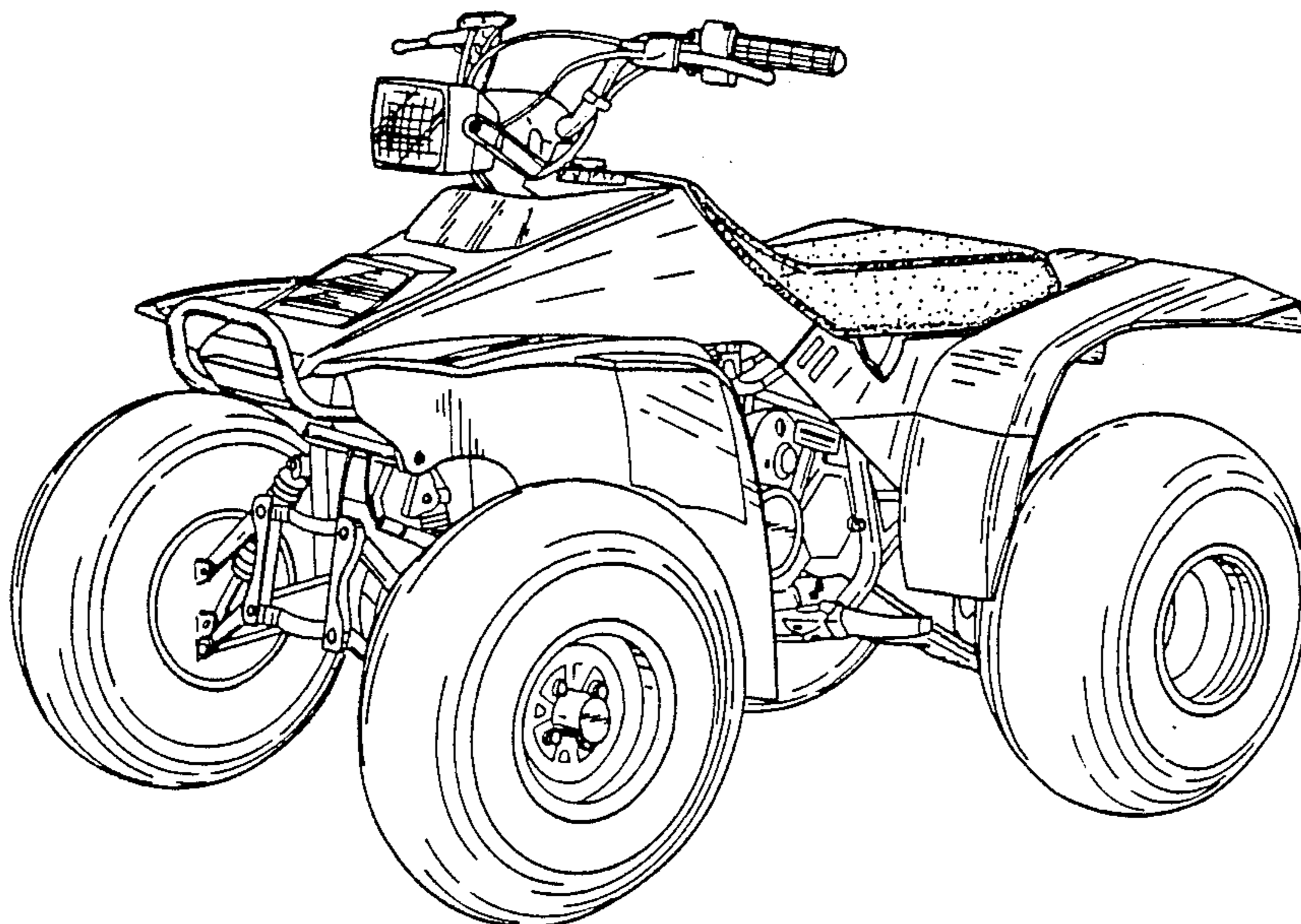
Primary Examiner—James M. Gandy
Attorney, Agent, or Firm—Lyon & Lyon

[57] CLAIM

The ornamental design for a four-wheeled motorcycle, as shown.

DESCRIPTION

FIG. 1 is a top plan view of a four-wheeled motorcycle showing our new design;
 FIG. 2 is a front perspective view thereof;
 FIG. 3 is a side perspective view of the right side thereof;
 FIG. 4 is a side perspective view of the left side thereof;
 FIG. 5 is a back perspective view thereof;
 FIG. 6 is an oblique perspective view principally illustrating the left side thereof.



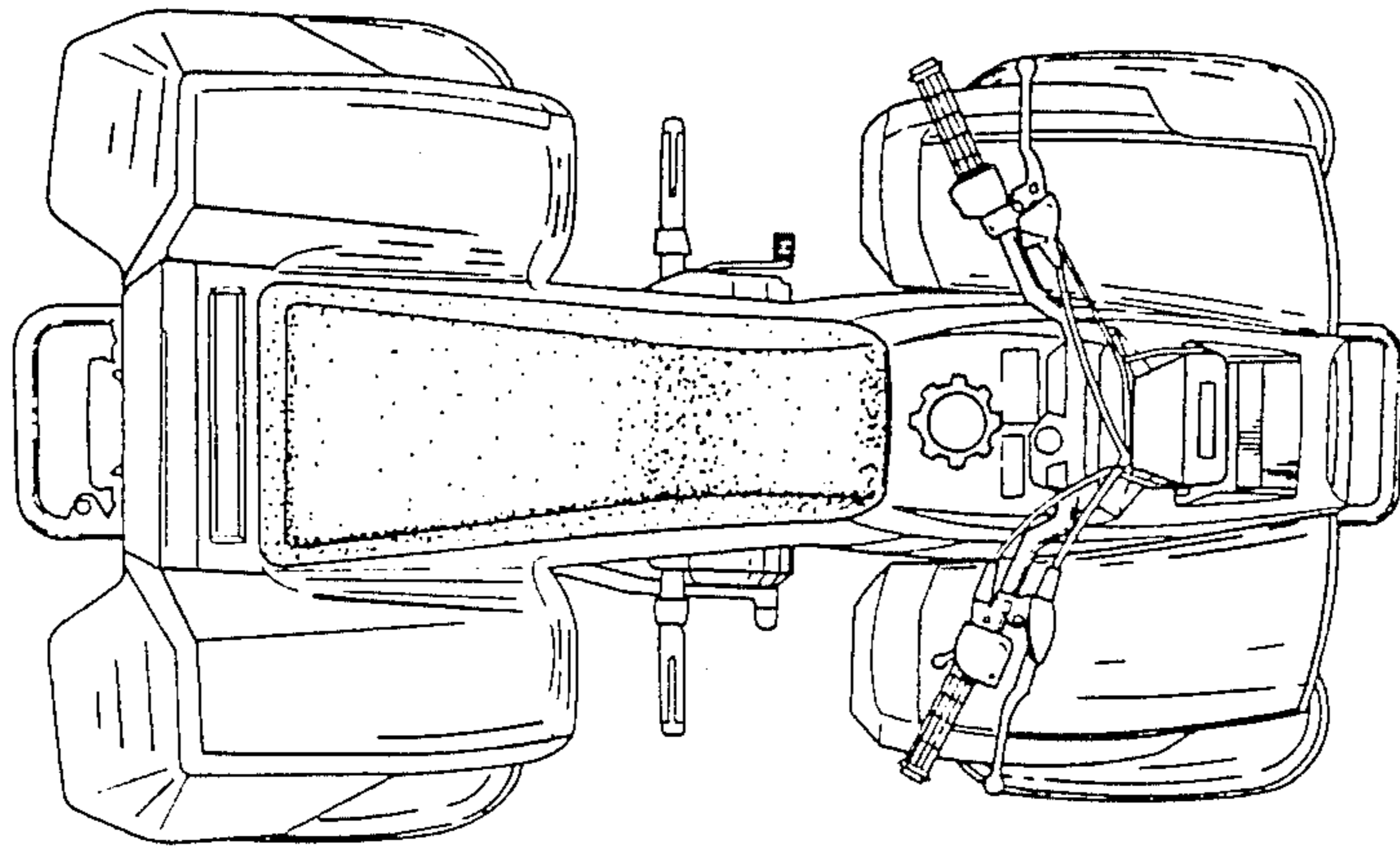


FIG. 1.

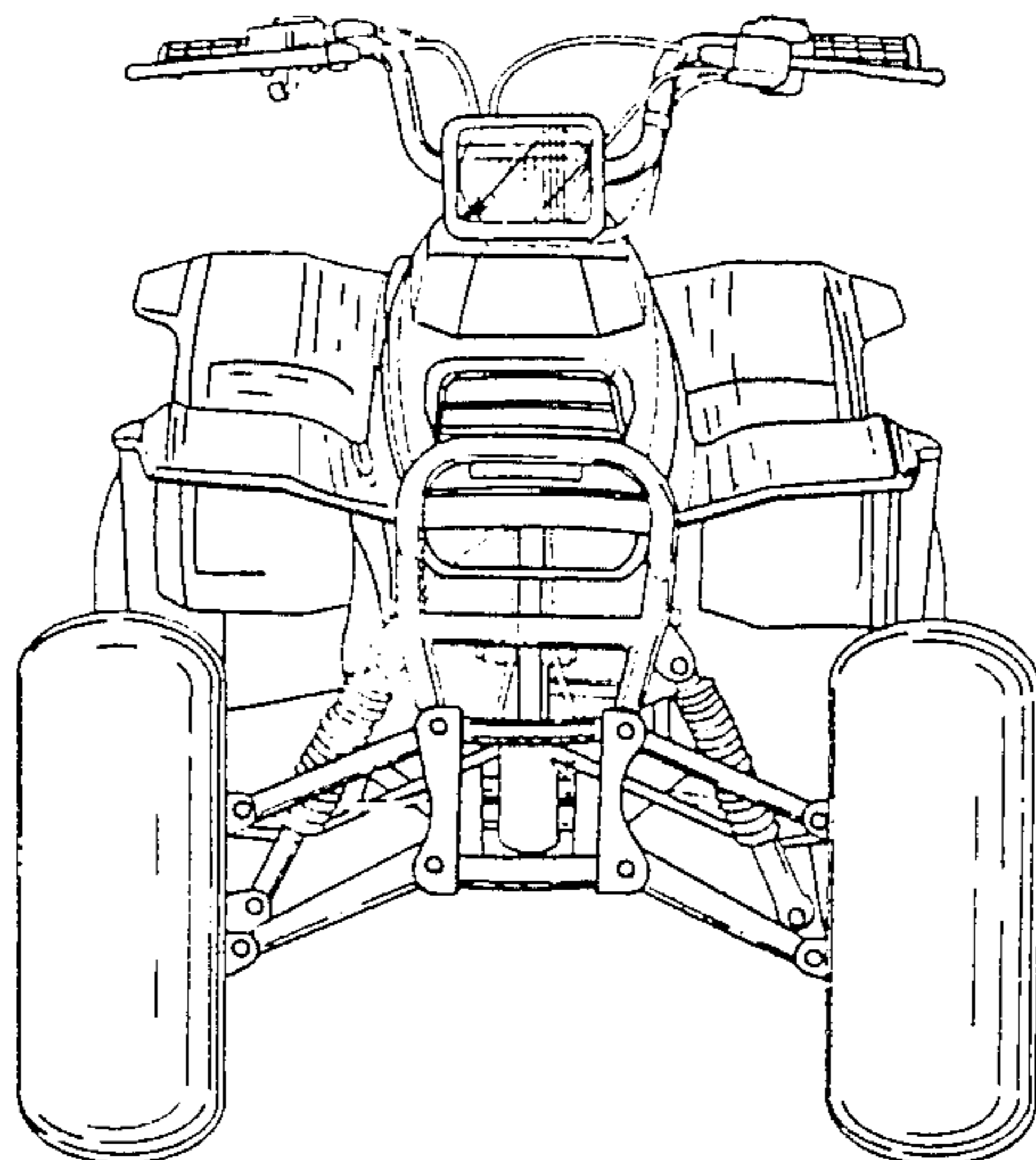


FIG. 2.

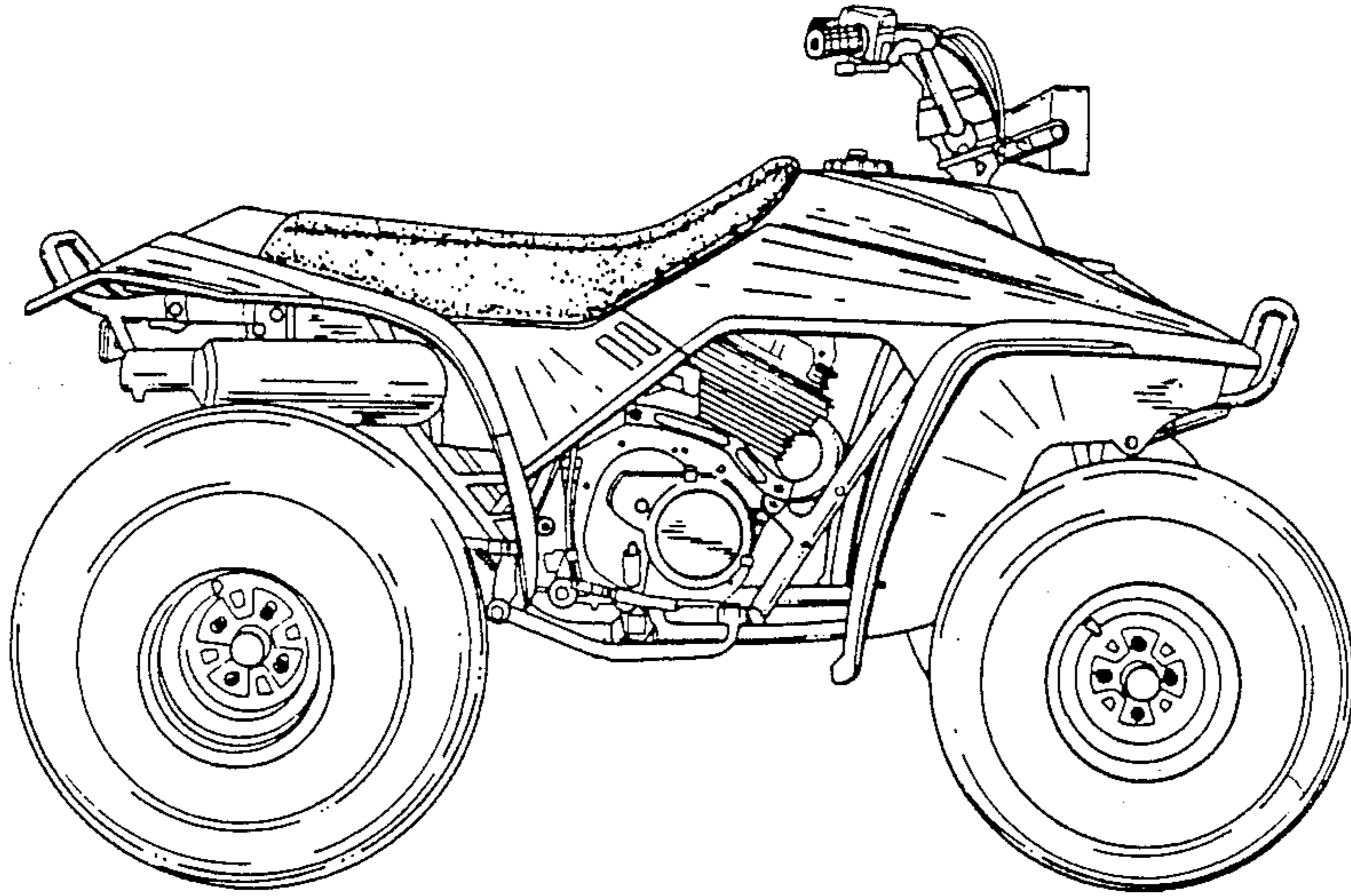


FIG. 3.

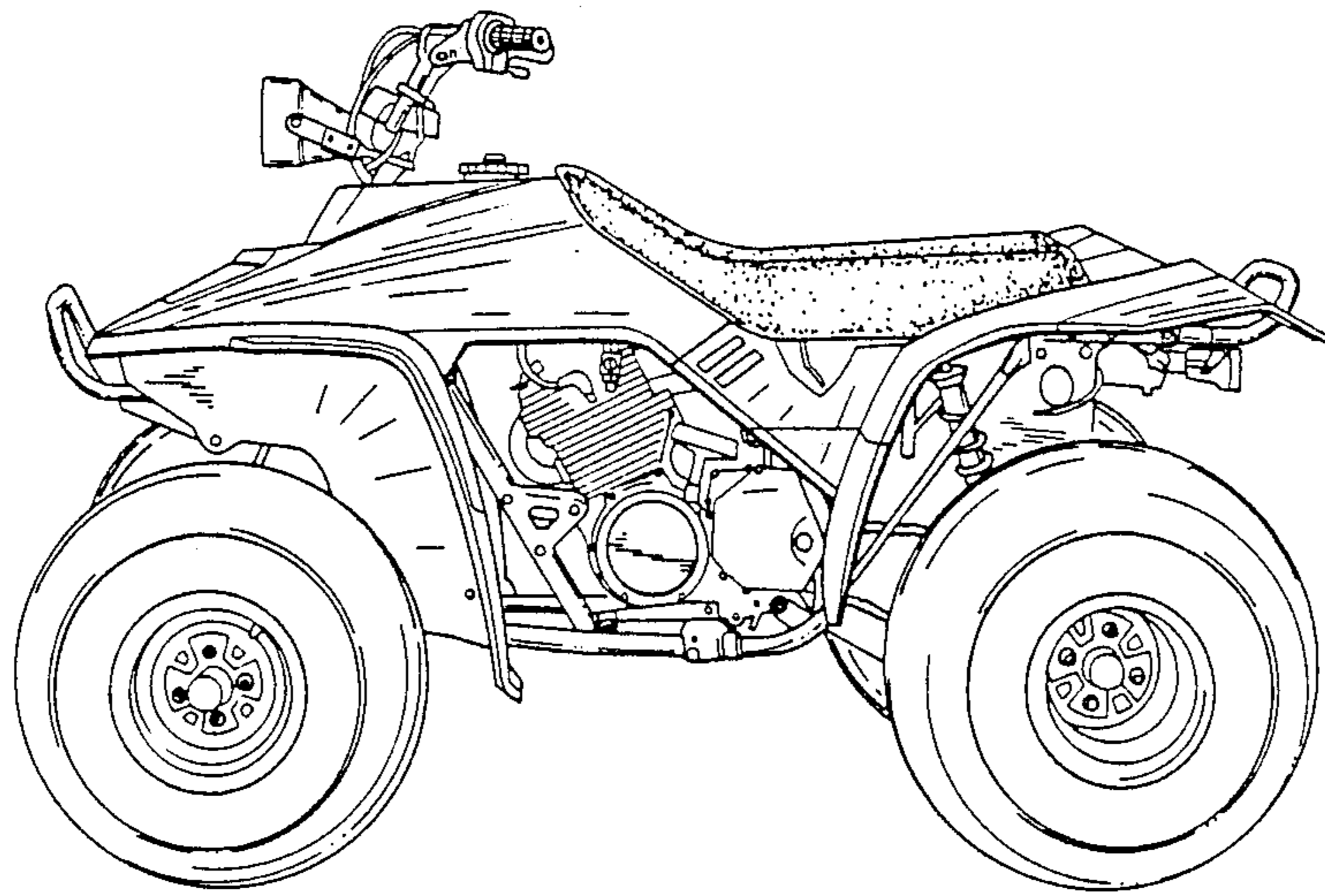


FIG. 4.

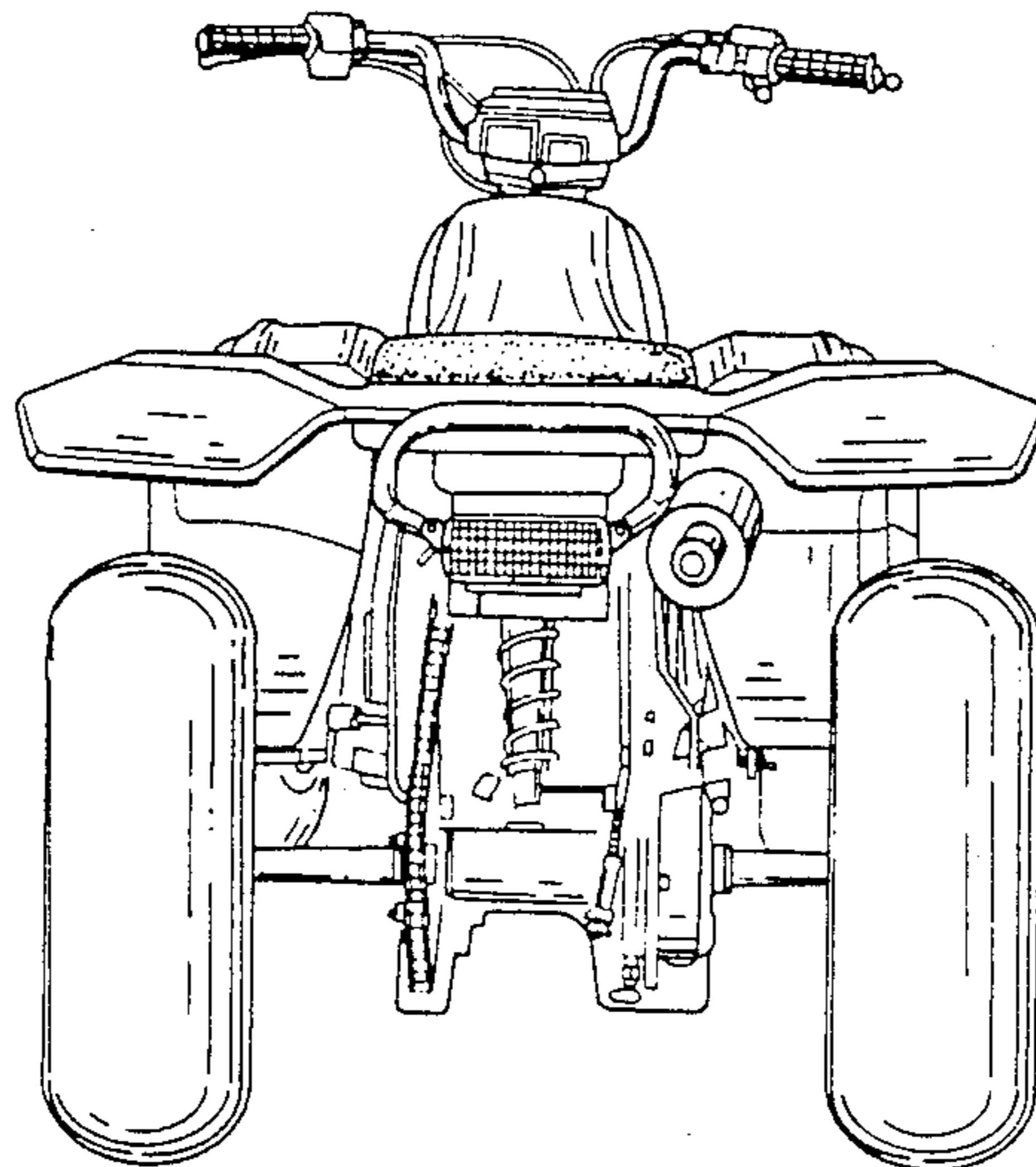


FIG. 5.

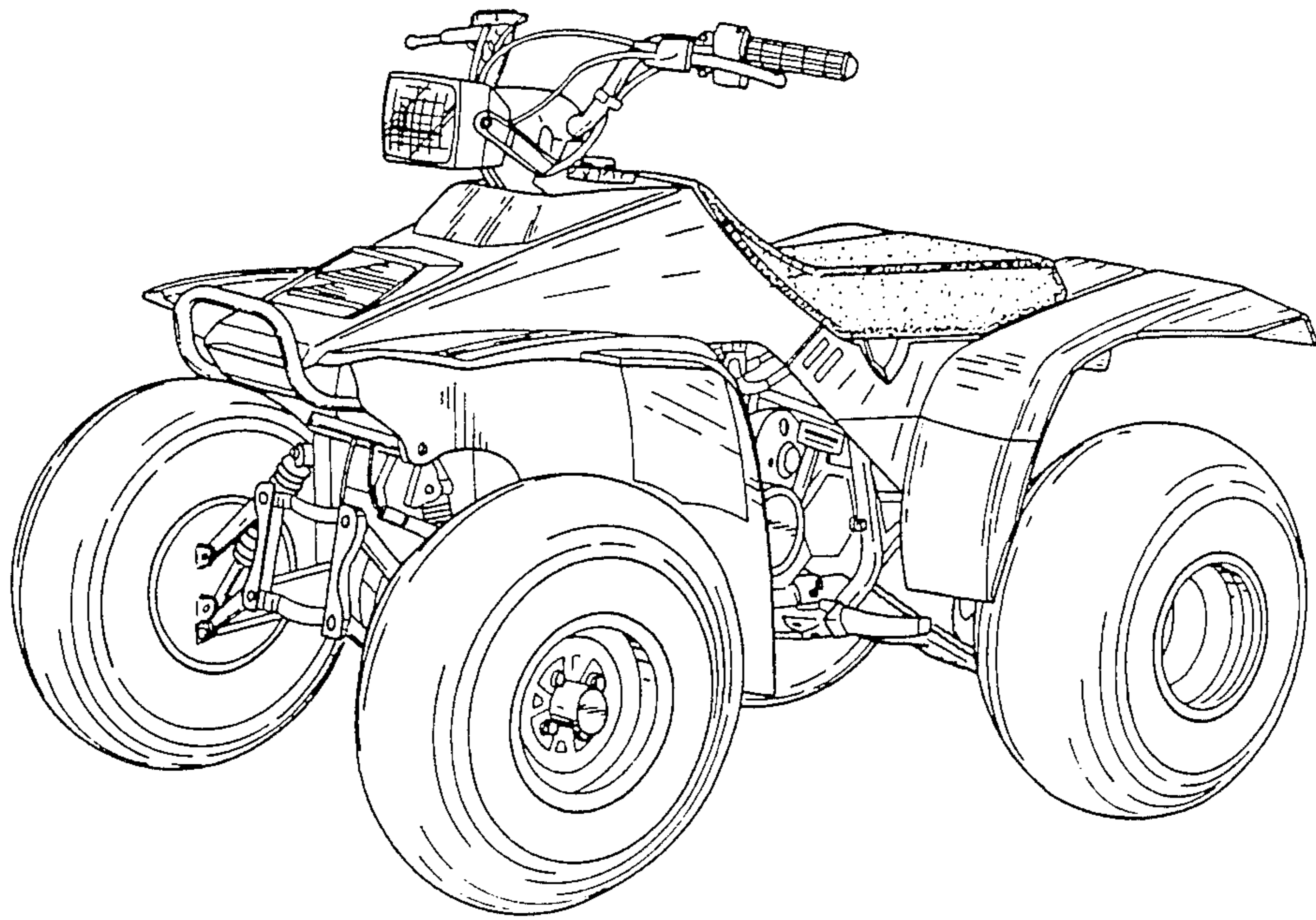


FIG. 6.