

[54] **ELECTRICAL OUTLET COVER PLATE**

[76] **Inventor: Curtis R. Staub, 614 5th St.,  
Liverpool, N.Y. 13088**

[\*\*] **Term: 14 Years**

[21] **Appl. No.: 700,664**

[22] **Filed: Feb. 11, 1985**

[52] **U.S. Cl. .... D8/353; D13/31**

[58] **Field of Search .... D8/350, 353; D13/30,  
D13/31; 220/242, 3.8; 174/67; 339/123**

[56] **References Cited**

**U.S. PATENT DOCUMENTS**

D. 237,692 11/1975 Black ..... D8/353  
1,288,752 12/1918 Thordarson ..... 220/3.8

3,068,442 12/1962 Kubik et al. .... 174/67

*Primary Examiner*—B. J. Bullock  
*Attorney, Agent, or Firm*—Don E. Ferrell

[57] **CLAIM**

The ornamental design for an electrical outlet cover plate, as shown and described.

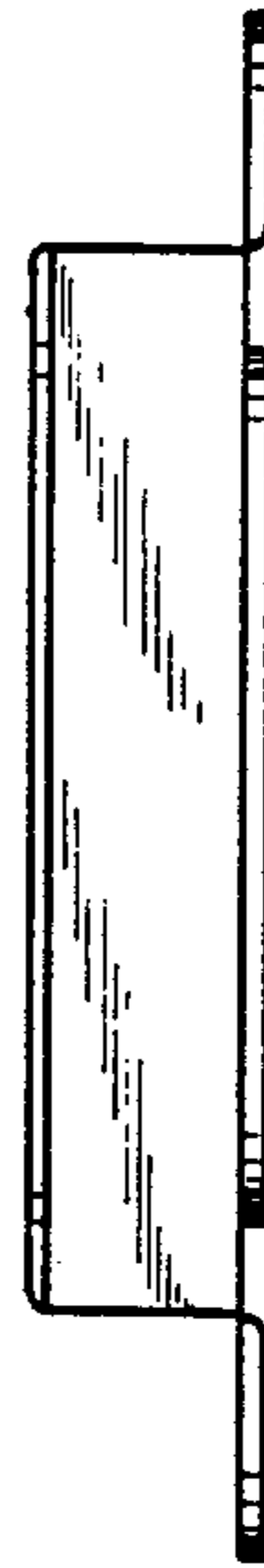
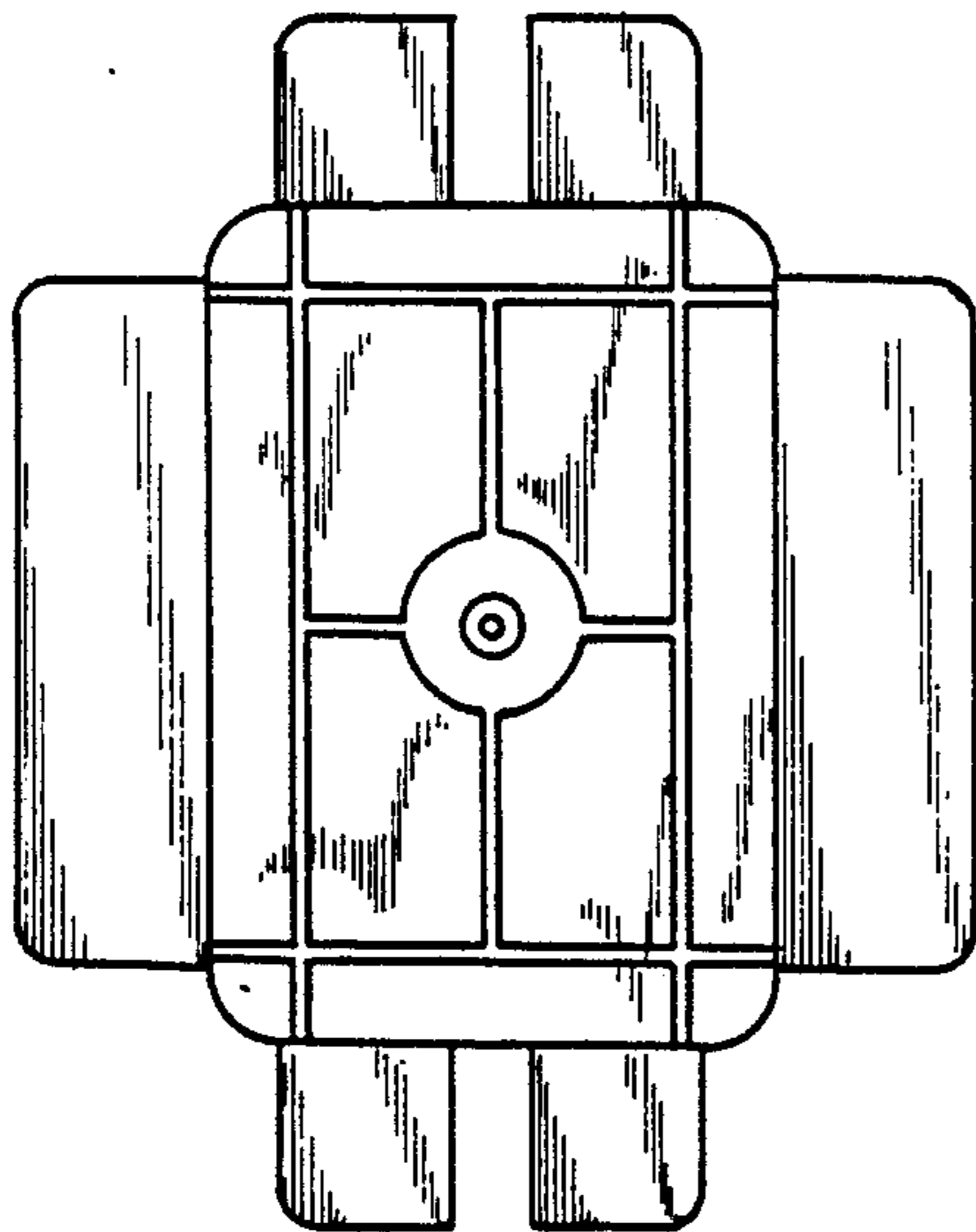
**DESCRIPTION**

FIG. 1 is a front elevational view of an electrical outlet cover plate showing my new design;

FIG. 2 is a rear elevational view thereof;

FIG. 3 is a bottom plan view thereof, the top being a mirror image;

FIG. 4 is a right side elevational view thereof, the left side being a mirror image.



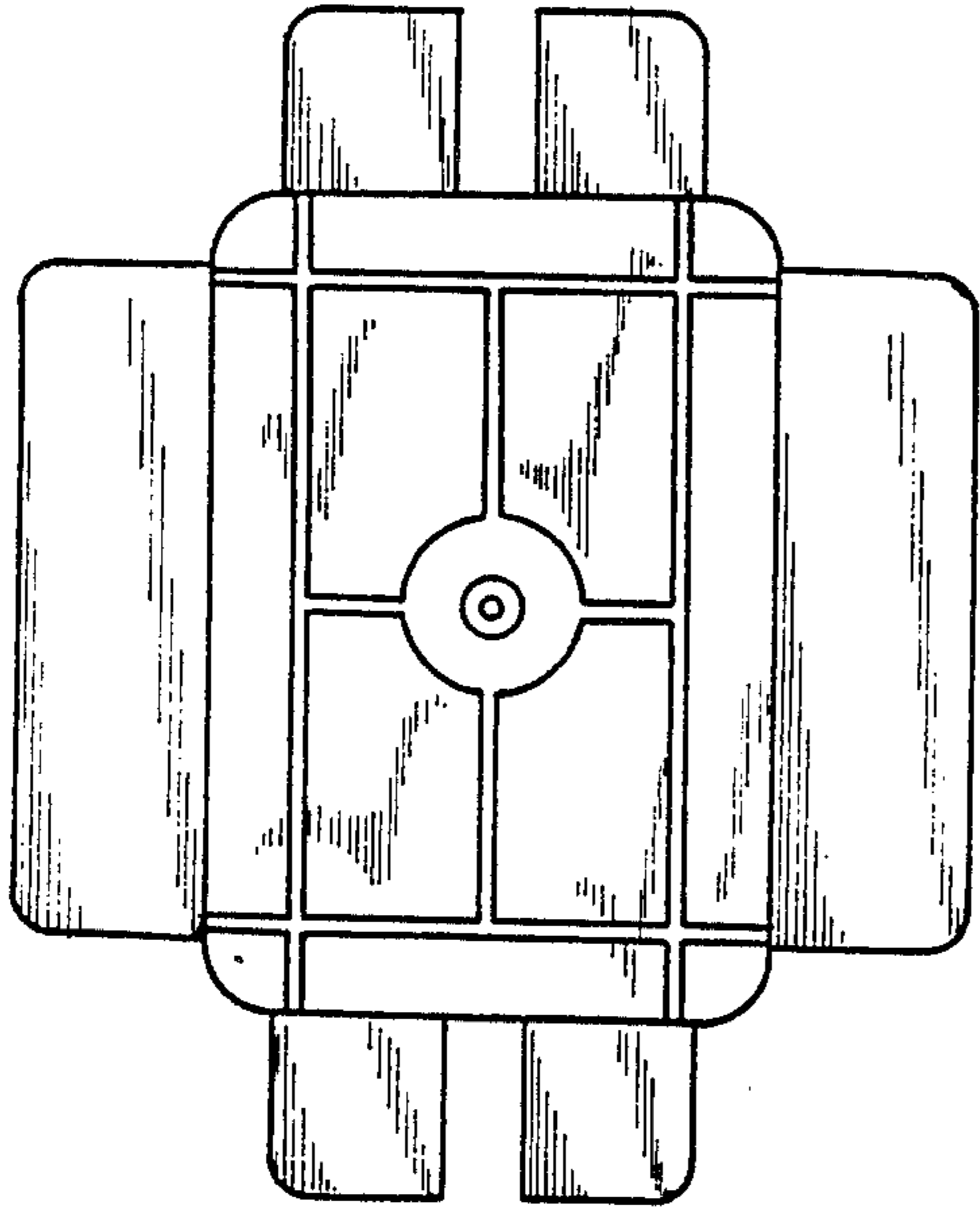


FIG 1

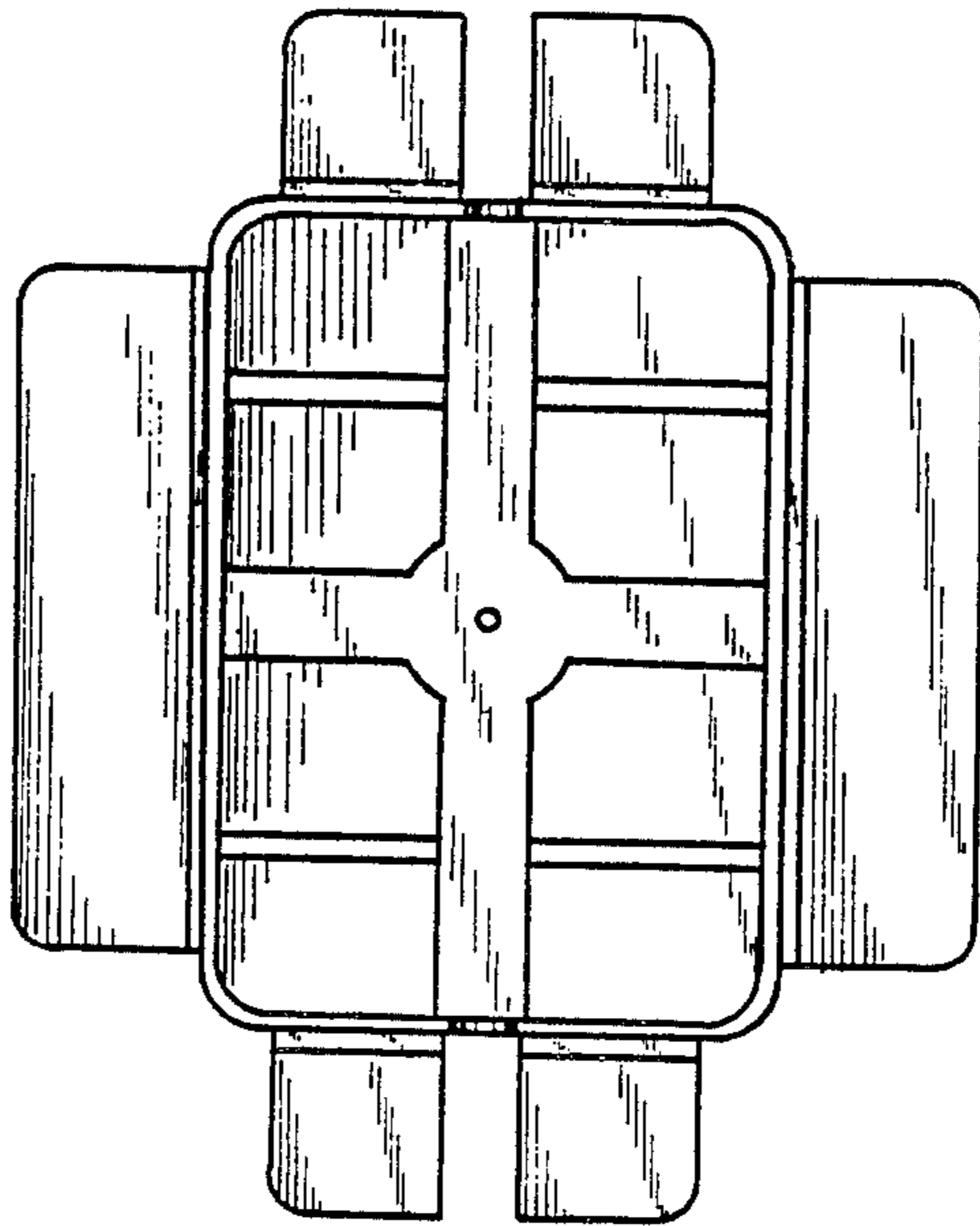


FIG 2



*FIG 3*



*FIG 4*