

# United States Patent [19]

Matsuo et al.

[11] Patent Number: Des. 295,254

[45] Date of Patent: \*\* Apr. 19, 1988

[54] DOOR CLOSER

[75] Inventors: Yoshihiko Matsuo, Kanagawa;  
Toshiaki Saito, Tokyo, both of Japan

[73] Assignee: Ryobi Ltd., Hiroshima, Japan

[\*\*] Term: 14 Years

[21] Appl. No.: 875,783

[22] Filed: Jun. 16, 1986

[30] Foreign Application Priority Data

Dec. 16, 1985 [JP] Japan ..... 60-52485  
[52] U.S. Cl. .... D8/330  
[58] Field of Search ..... D8/330-346;  
16/49, 66-68, 71, 82, 84, DIG. 9, DIG. 21

[56] References Cited

### U.S. PATENT DOCUMENTS

D. 166,884 5/1952 Schlage ..... D8/330  
D. 274,212 6/1984 Shohoji ..... D8/330

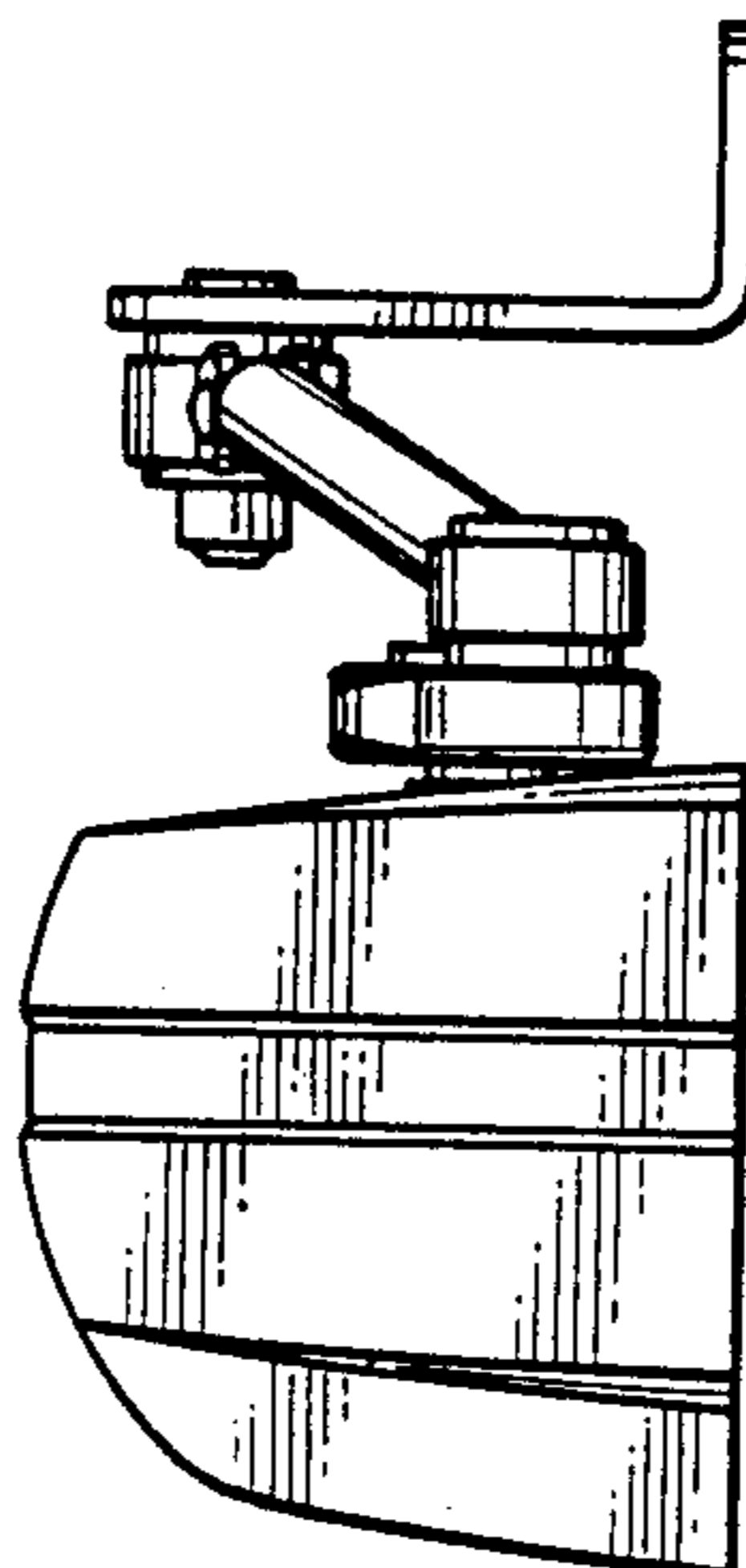
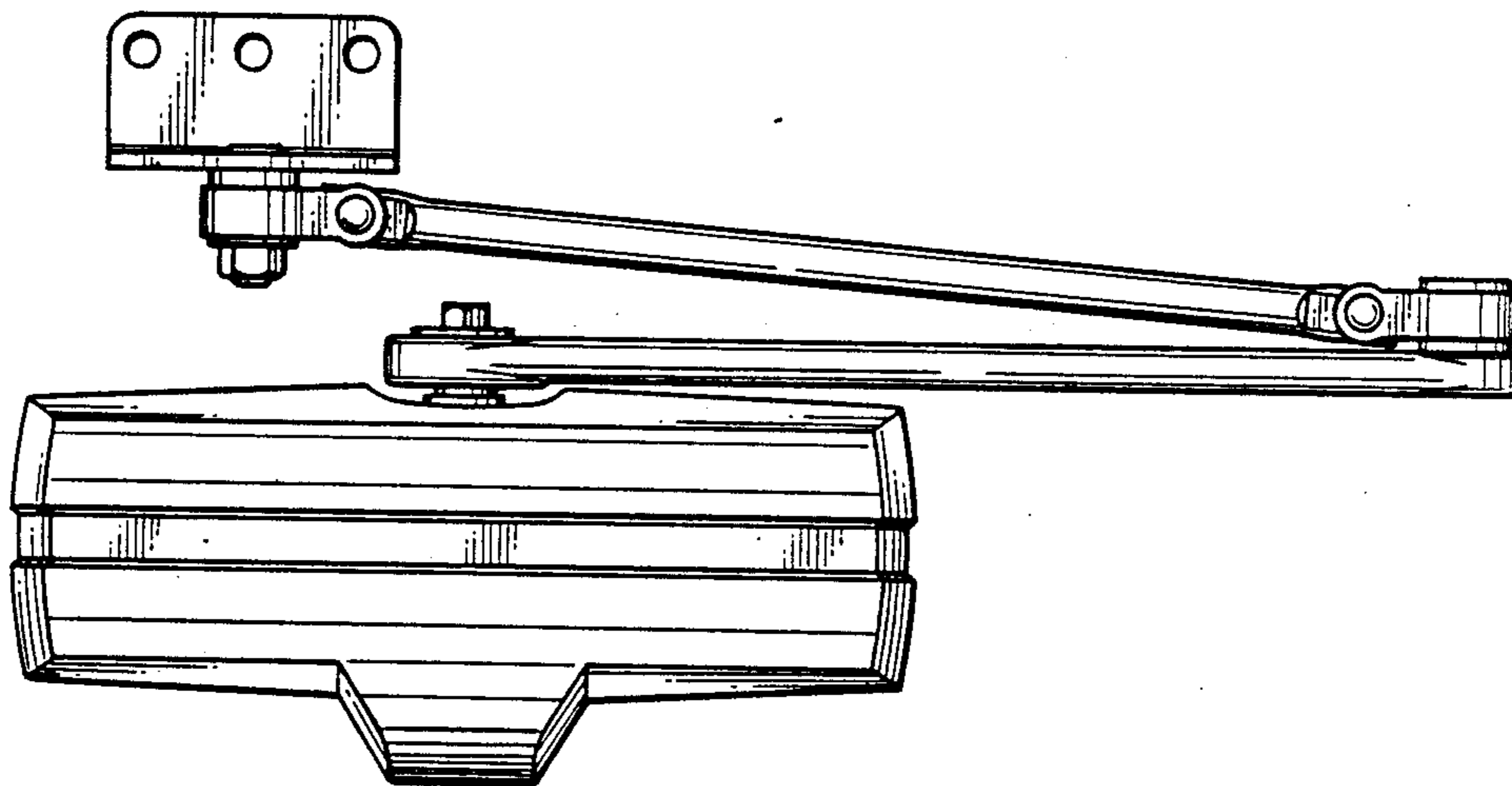
Primary Examiner—Susan J. Lucas  
Assistant Examiner—Brian N. Vinson  
Attorney, Agent, or Firm—Sughrue, Mion, Zinn,  
Macpeak & Seas

[57] CLAIM

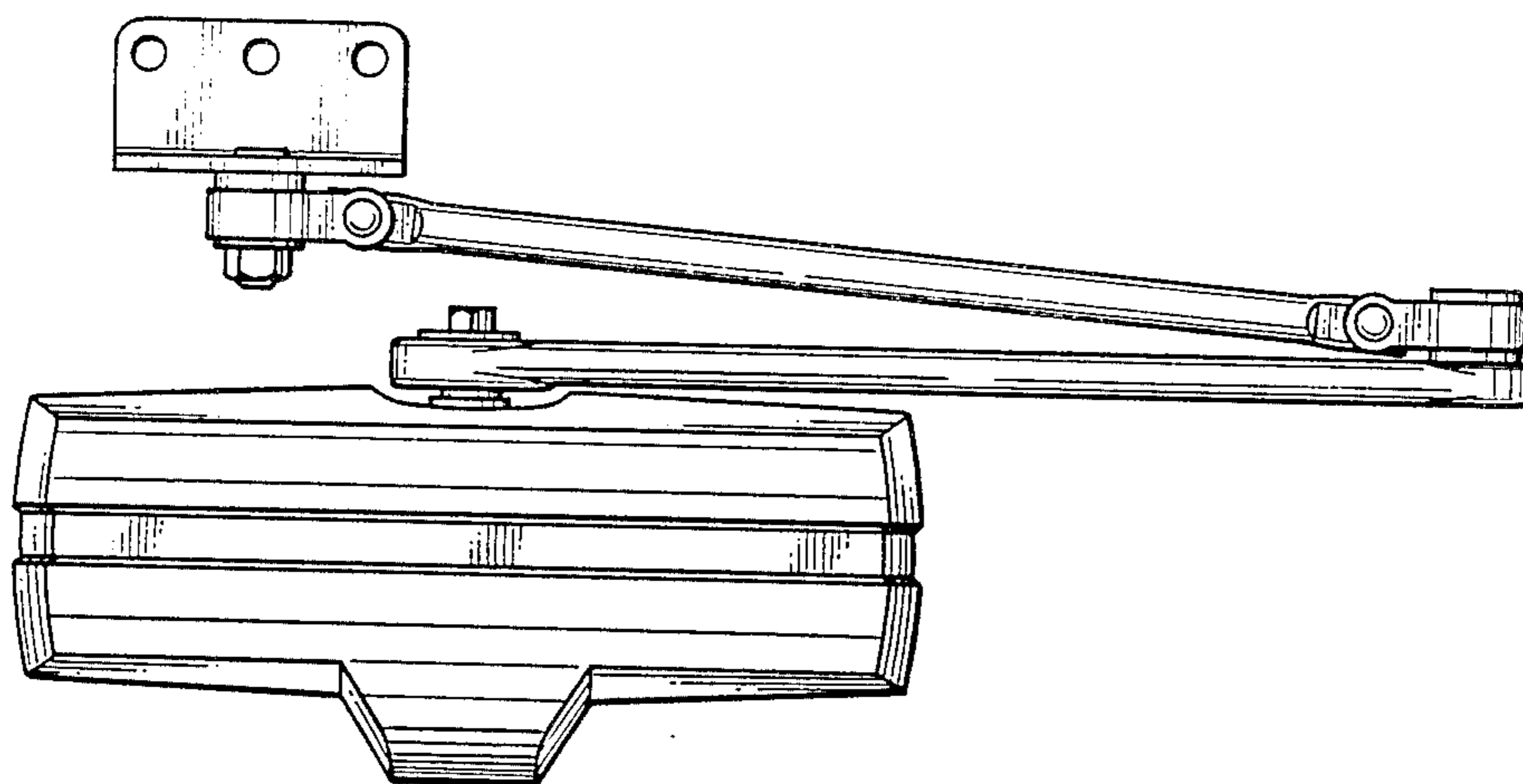
The ornamental design for a door closer, as shown.

### DESCRIPTION

FIG. 1 is a front elevational view of a door closer showing our new design;  
FIG. 2 is a rear elevational view thereof;  
FIG. 3 is a top plan view thereof;  
FIG. 4 is a bottom plan view thereof;  
FIG. 5 is a left side elevational view thereof; and  
FIG. 6 is a right side elevational view thereof.



*Fig. 1*



*Fig. 2*

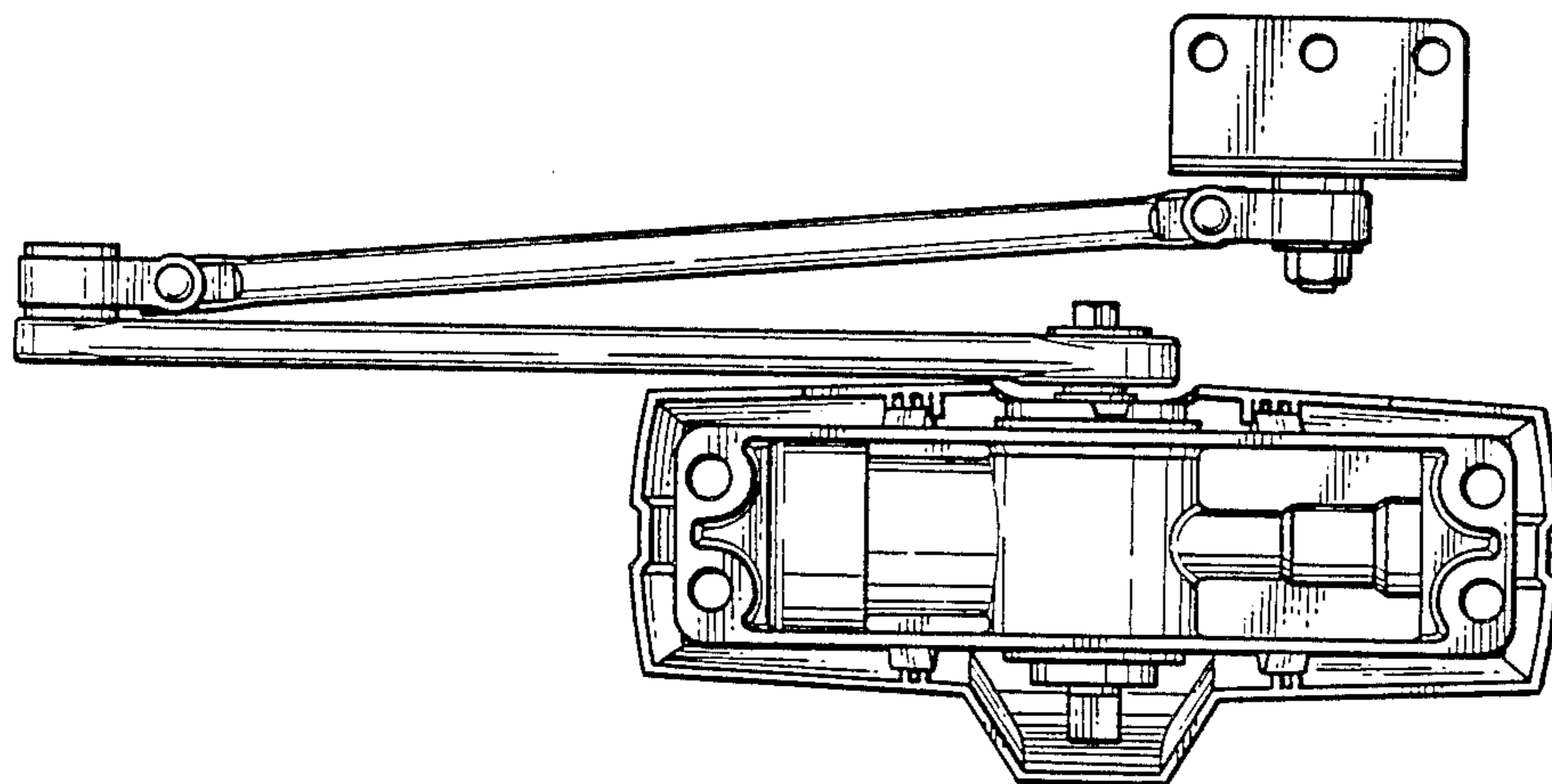


Fig. 3

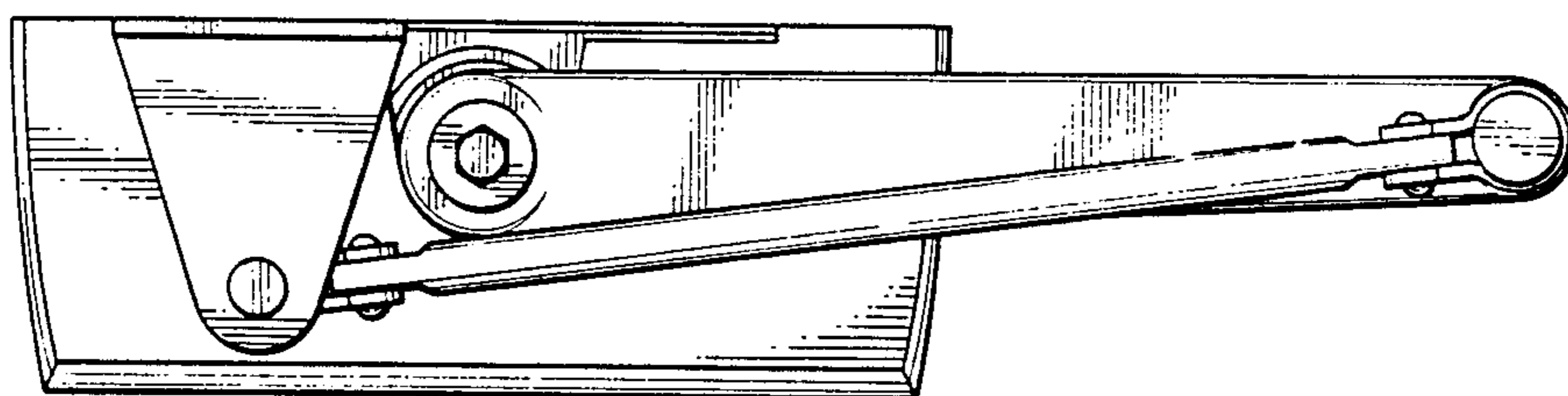


Fig. 4

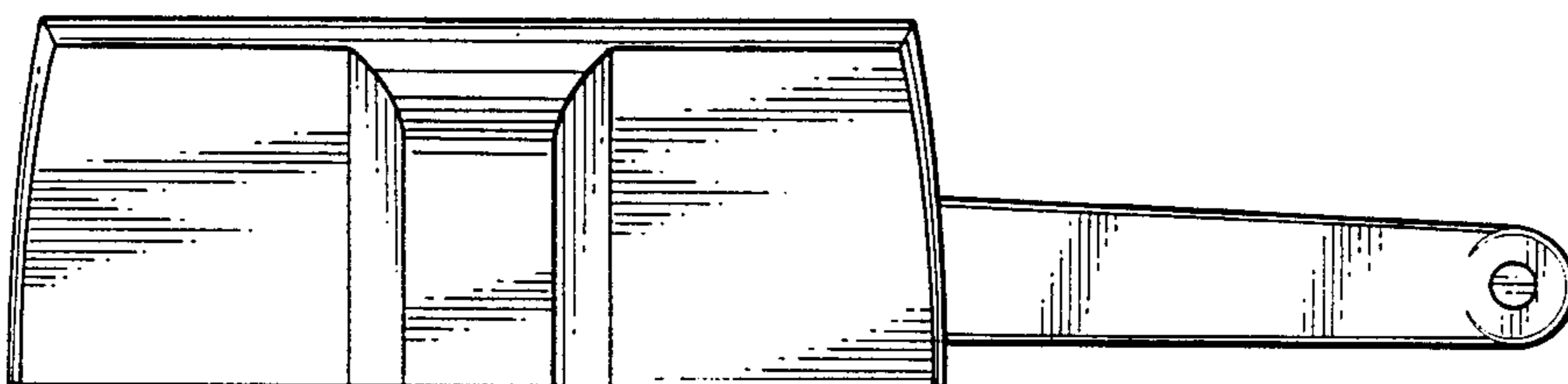


Fig. 5

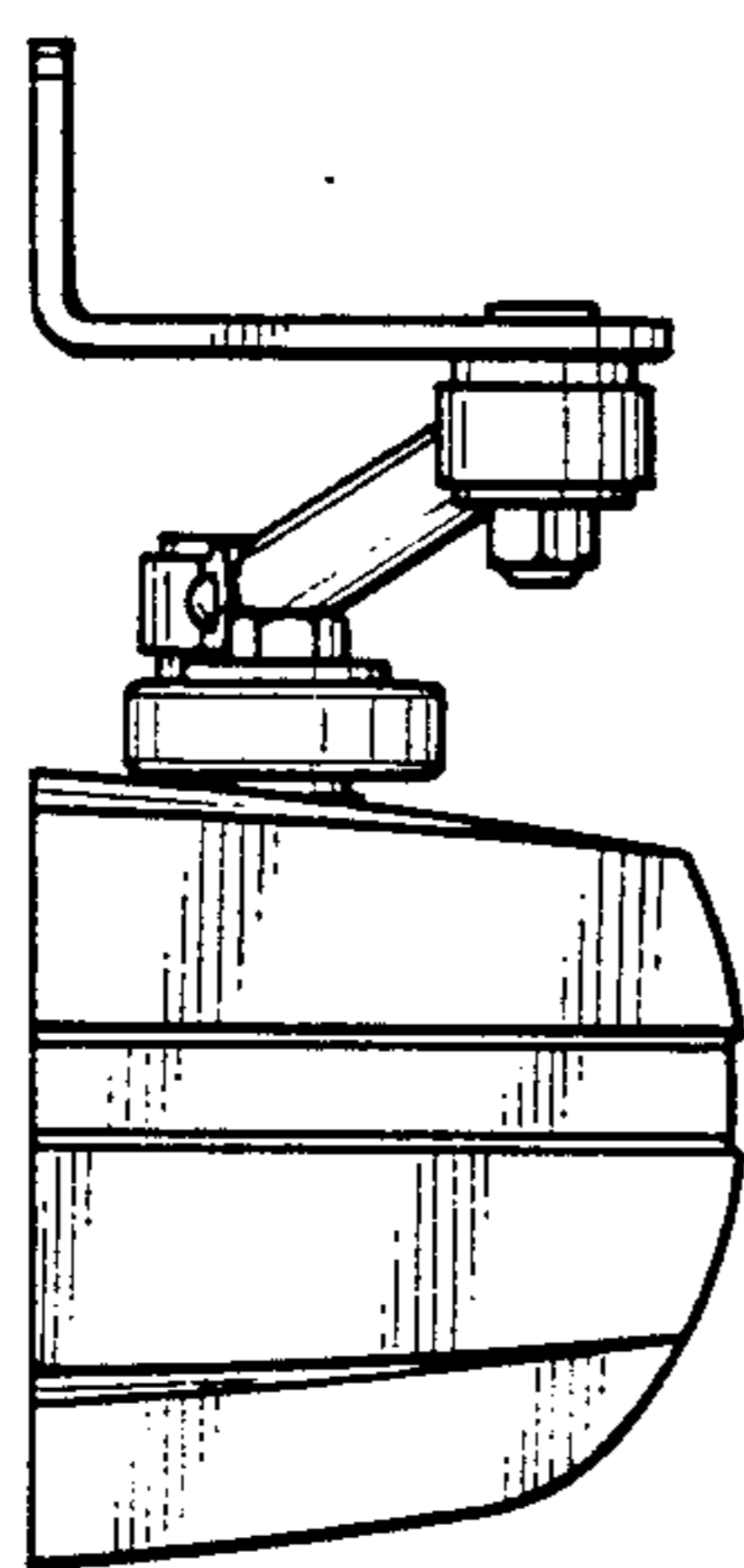


Fig. 6

