

[54] ORBITAL BUFFER

[75] Inventor: Lewis A. Ashworth, Orange, Calif.

[73] Assignee: BAF Industries, Santa Ana, Calif.

[\*\*] Term: 14 Years

[21] Appl. No.: 884,739

[22] Filed: Jul. 11, 1986

[52] U.S. Cl. .... D8/62; D32/19

[58] Field of Search ..... D32/15-16, D32/19-20, 25, 35; 15/28, 87, 97, 179-180, 230, 230.11, 230.15, 230.17, 230.18, 230.19; 51/376-377, 380, 176-177, 170, 119; D8/90, 62

[56] References Cited

U.S. PATENT DOCUMENTS

- D. 221,347 8/1971 Albers et al. .... D32/19
- D. 252,731 8/1979 Parise ..... D8/62

- D. 270,515 9/1983 Dunlap ..... D8/62
- D. 273,079 3/1984 Ibaraki ..... D8/62
- 3,064,292 11/1962 Fillery ..... D32/19
- 3,074,089 1/1963 Brown, Jr. .... D32/19
- 3,314,099 4/1967 Otto ..... D32/19
- 3,981,106 9/1976 Gallo ..... 15/230

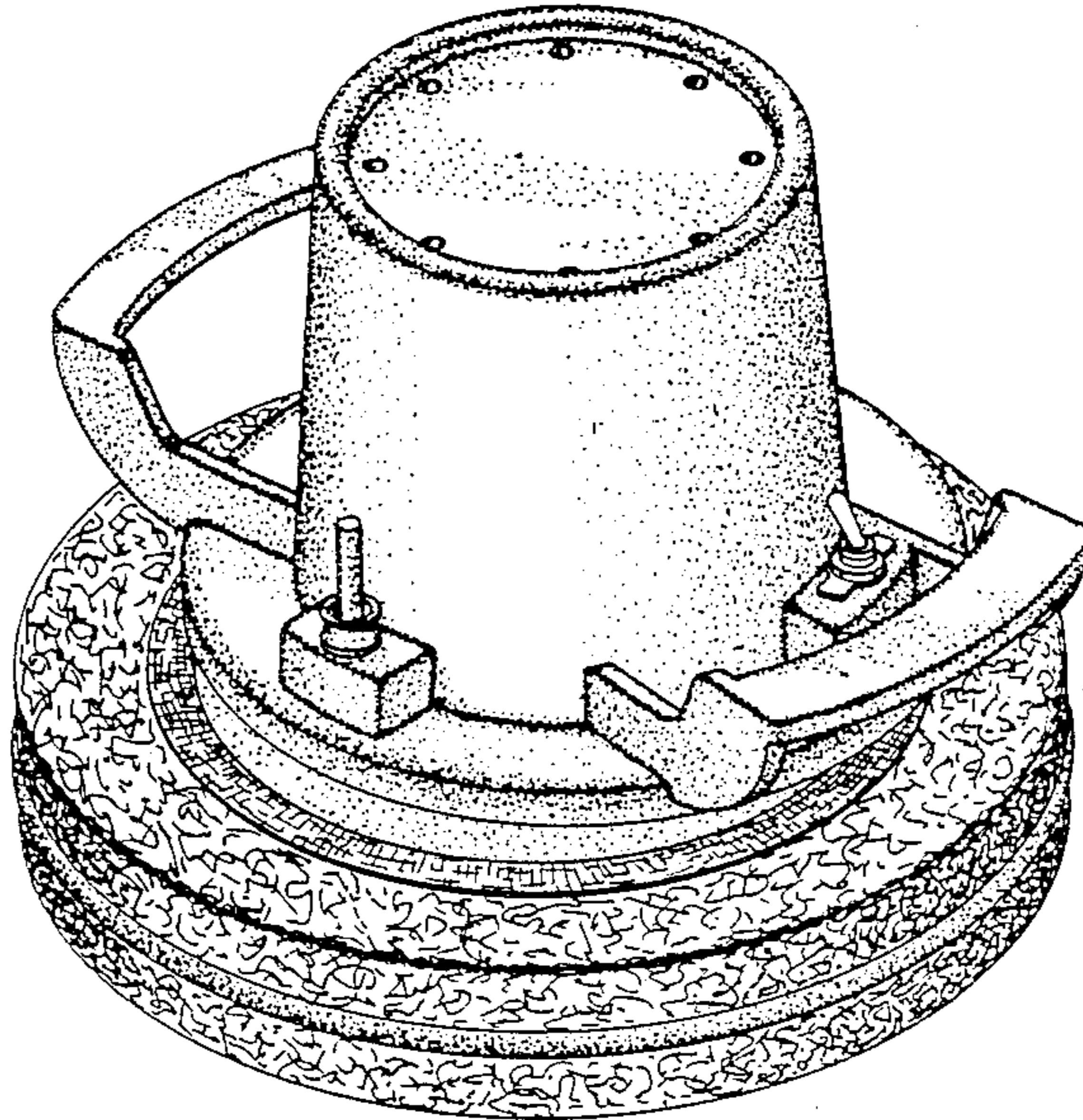
Primary Examiner—Wallace R. Burke  
Assistant Examiner—Ruth Takemoto  
Attorney, Agent, or Firm—Walter A. Hackler

[57] CLAIM

The ornamental design for an orbital buffer, substantially as shown and described.

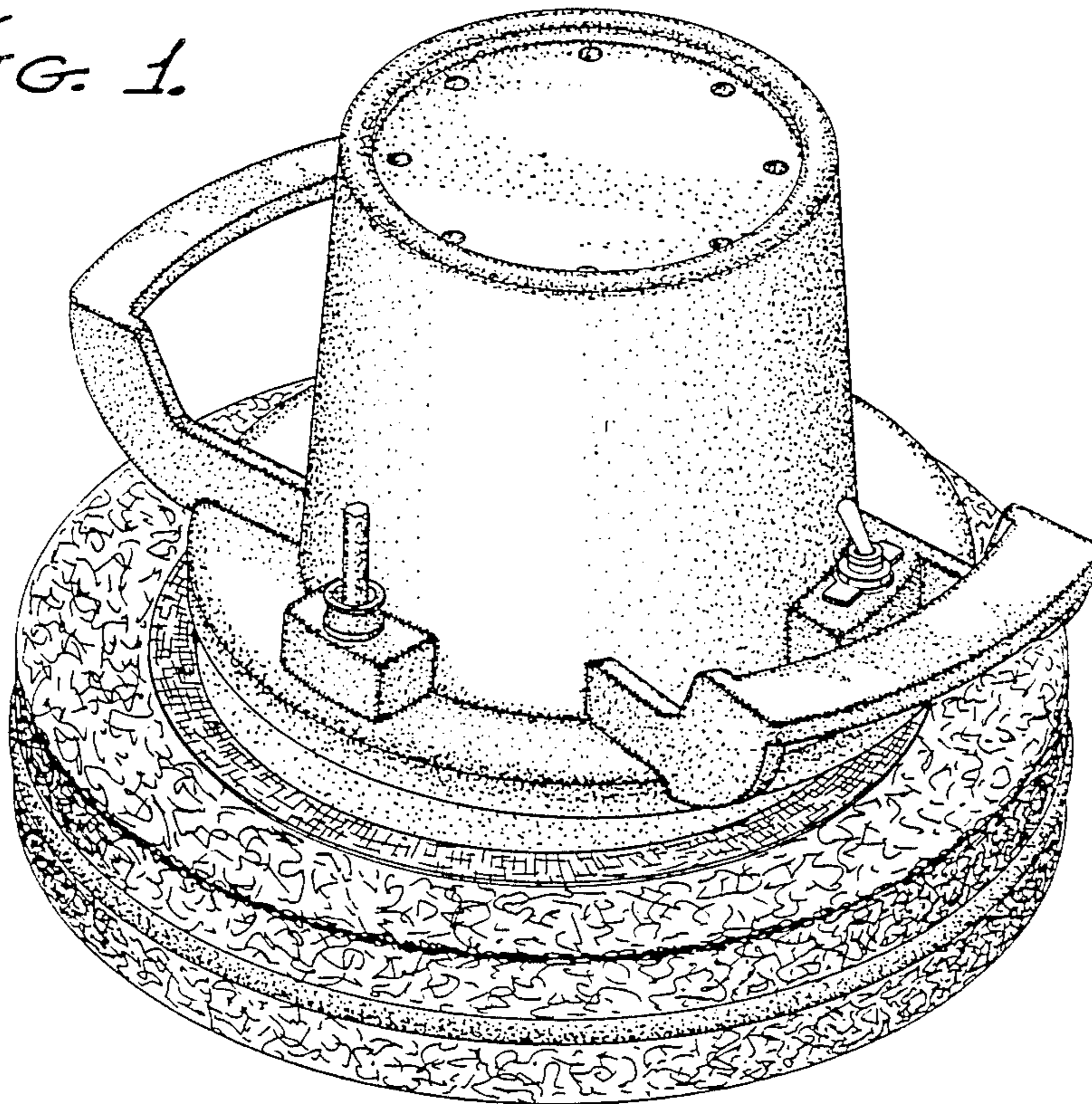
DESCRIPTION

FIG. 1 is a top, front and left side perspective view of an orbital buffer showing my new design; FIG. 2 is a top plan view thereof; FIG. 3 is a rear elevational view thereof; and FIG. 4 is a right side elevational view thereof.

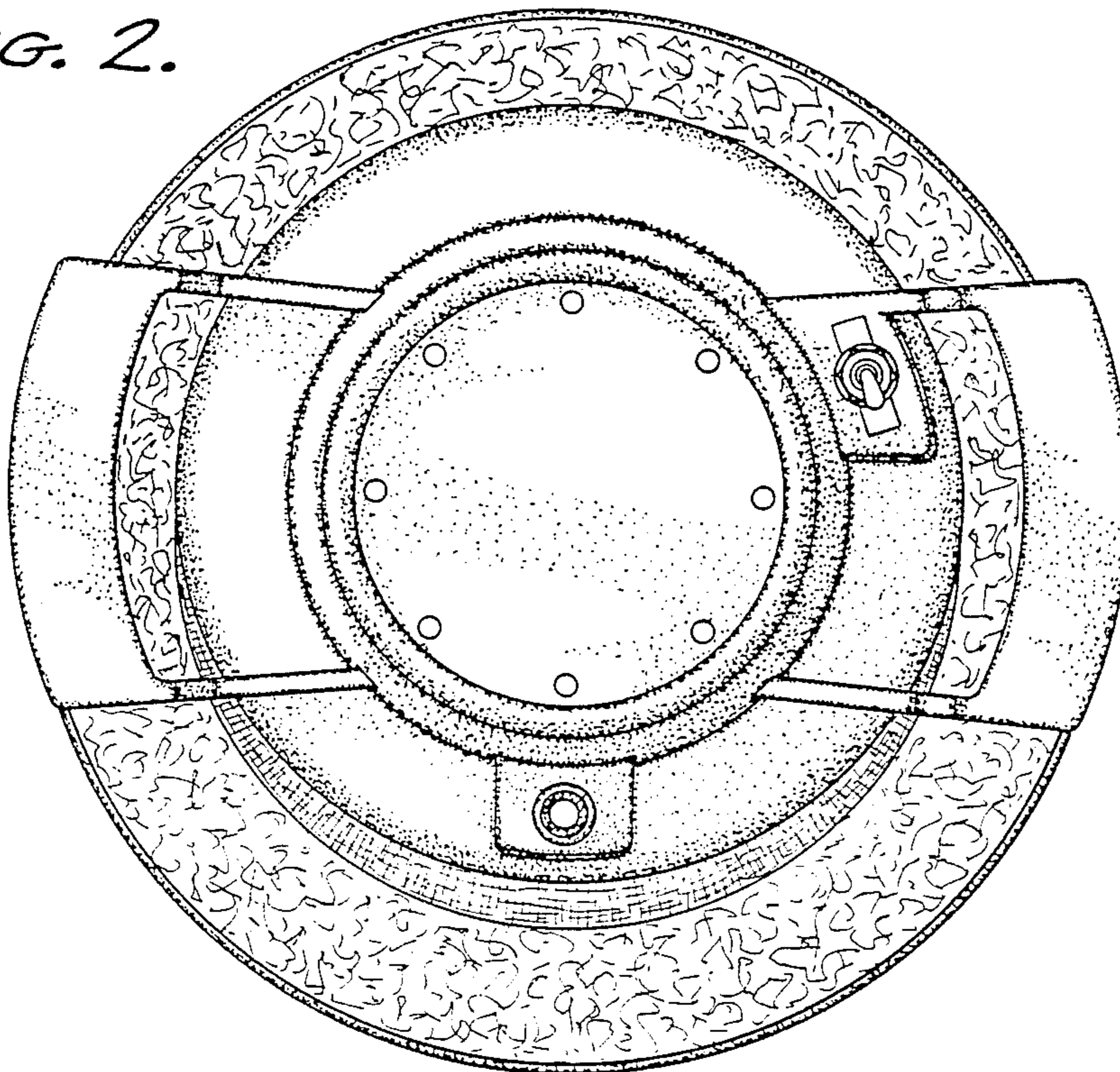




*FIG. 1.*

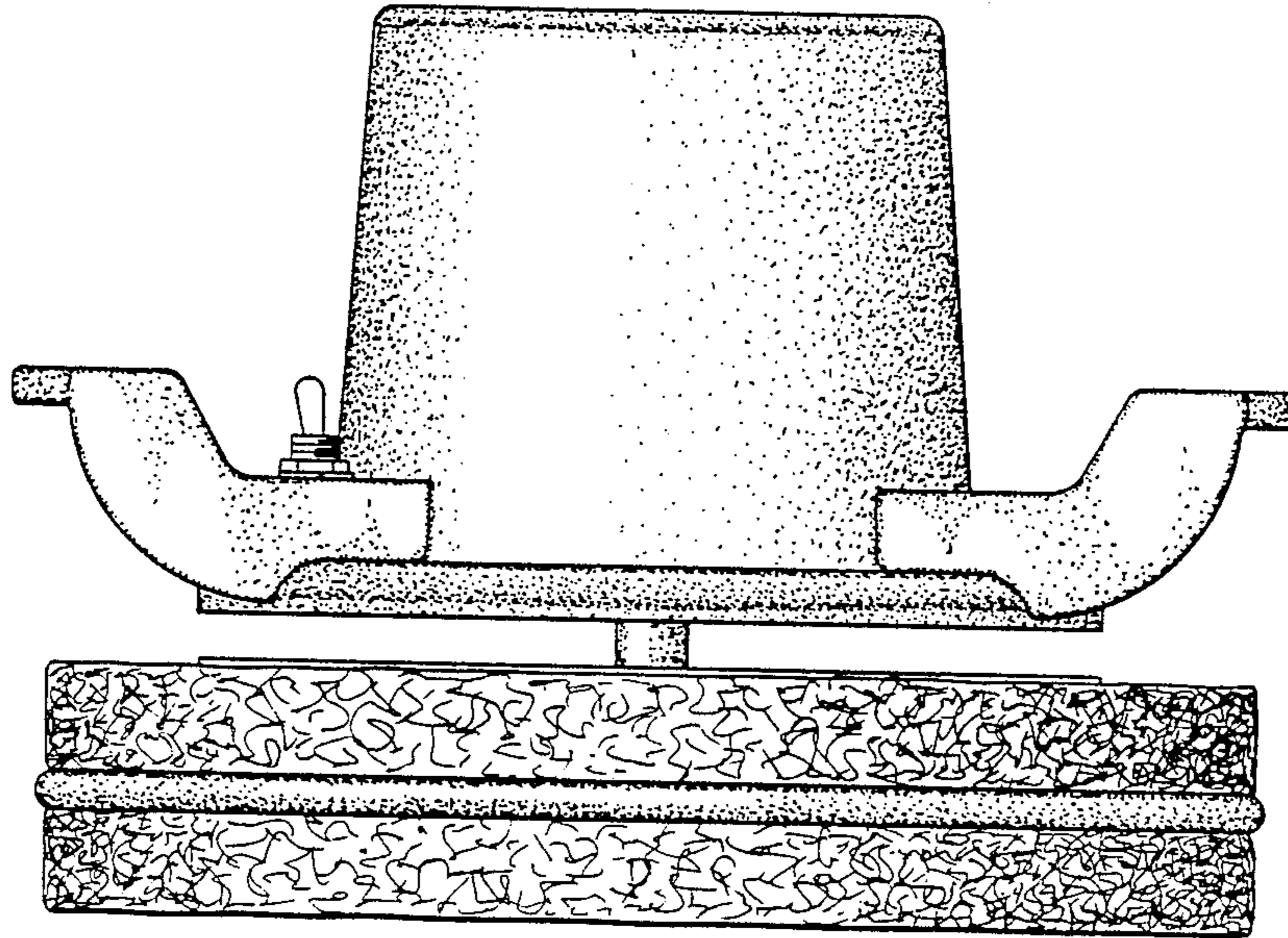


*FIG. 2.*





*FIG. 3.*



*FIG. 4.*

