

United States Patent [19]
Chap

[11] **Patent Number: Des. 295,247**
[45] **Date of Patent: ** Apr. 19, 1988**

- [54] **CADDY**
[75] **Inventor: John P. Chap, Lemont, Ill.**
[73] **Assignee: Selfix, Inc., Chicago, Ill.**
[*] **Notice: The portion of the term of this patent subsequent to Apr. 12, 2002 has been disclaimed.**
[**] **Term: 14 Years**
[21] **Appl. No.: 782,984**
[22] **Filed: Oct. 2, 1985**
[52] **U.S. Cl. D6/566; D6/567; D6/574**
[58] **Field of Search D6/553, 566, 567, 569, D6/570, 571, 573, 574; 248/302; 211/87, 88, 106, 126, 181, 13, 50**

- [56] **References Cited**
U.S. PATENT DOCUMENTS
D. 097,274 10/1935 Gentz D6/566
D. 222,367 10/1971 Goss D6/566
D. 285,156 8/1986 Chap D6/566

1,378,902	5/1921	Roehl	211/106
1,741,928	12/1929	Gafney	211/106
1,800,646	4/1931	Kottke	211/106
2,608,305	8/1952	Sager	211/106
2,758,724	8/1956	Schneider	211/106

Primary Examiner—B. J. Bullock
Attorney, Agent, or Firm—Dressler, Goldsmith, Shore, Sutker & Milnamow, Ltd.

[57] **CLAIM**
The ornamental design for a caddy, substantially as shown and described.

DESCRIPTION
FIG. 1 is a perspective view of a caddy showing my new design;
FIG. 2 is a enlarged right side elevational view thereof, the left side elevational view thereof being a mirror image;
FIG. 3 is a enlarged top plan view thereof;
FIG. 4 is a enlarged front elevational view thereof;
FIG. 5 is a enlarged bottom plan view thereof; and
FIG. 6 is an enlarged top plan view of a second embodiment of the design of FIG. 1, the only difference being an increase in the length.

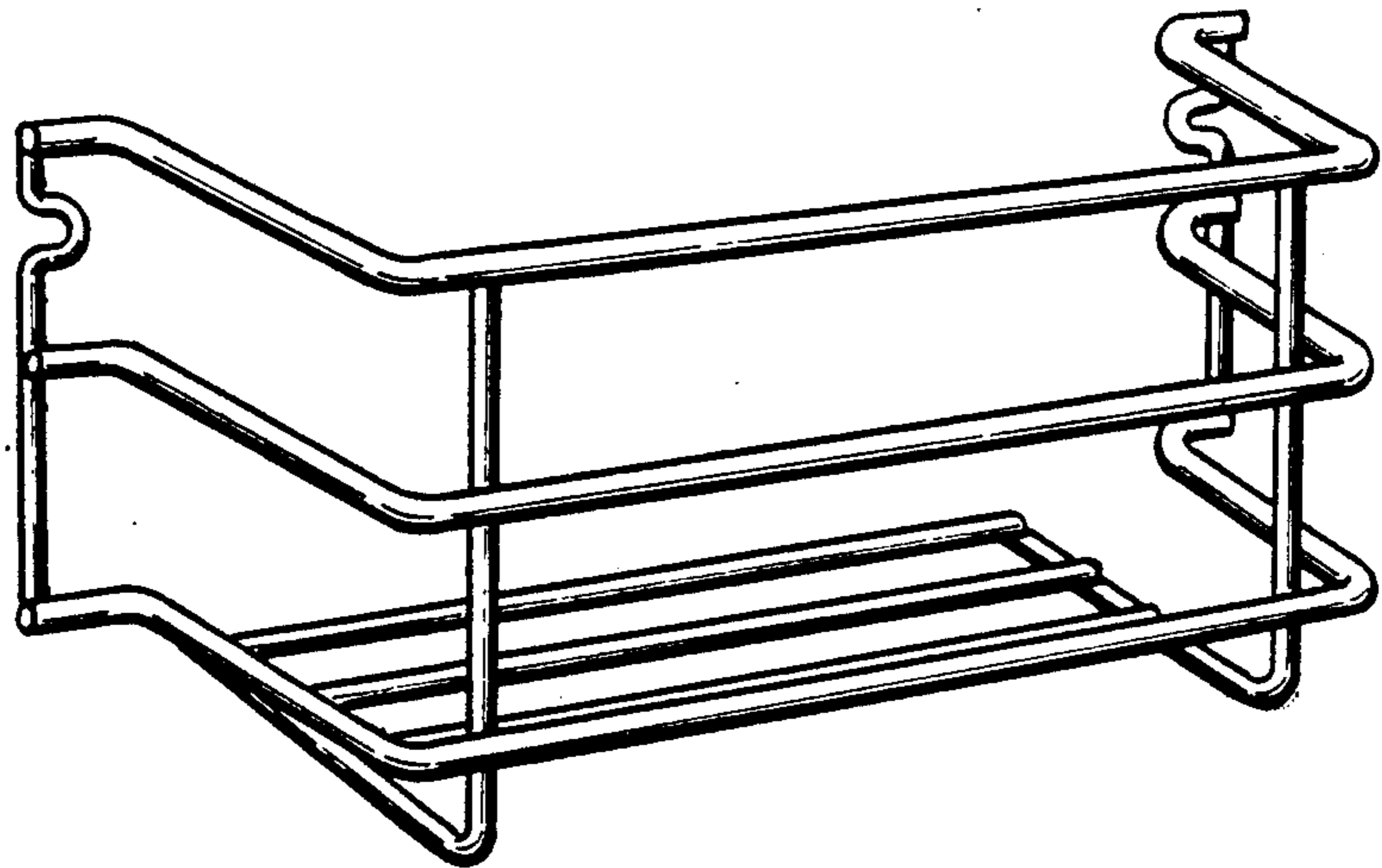


FIG. 1

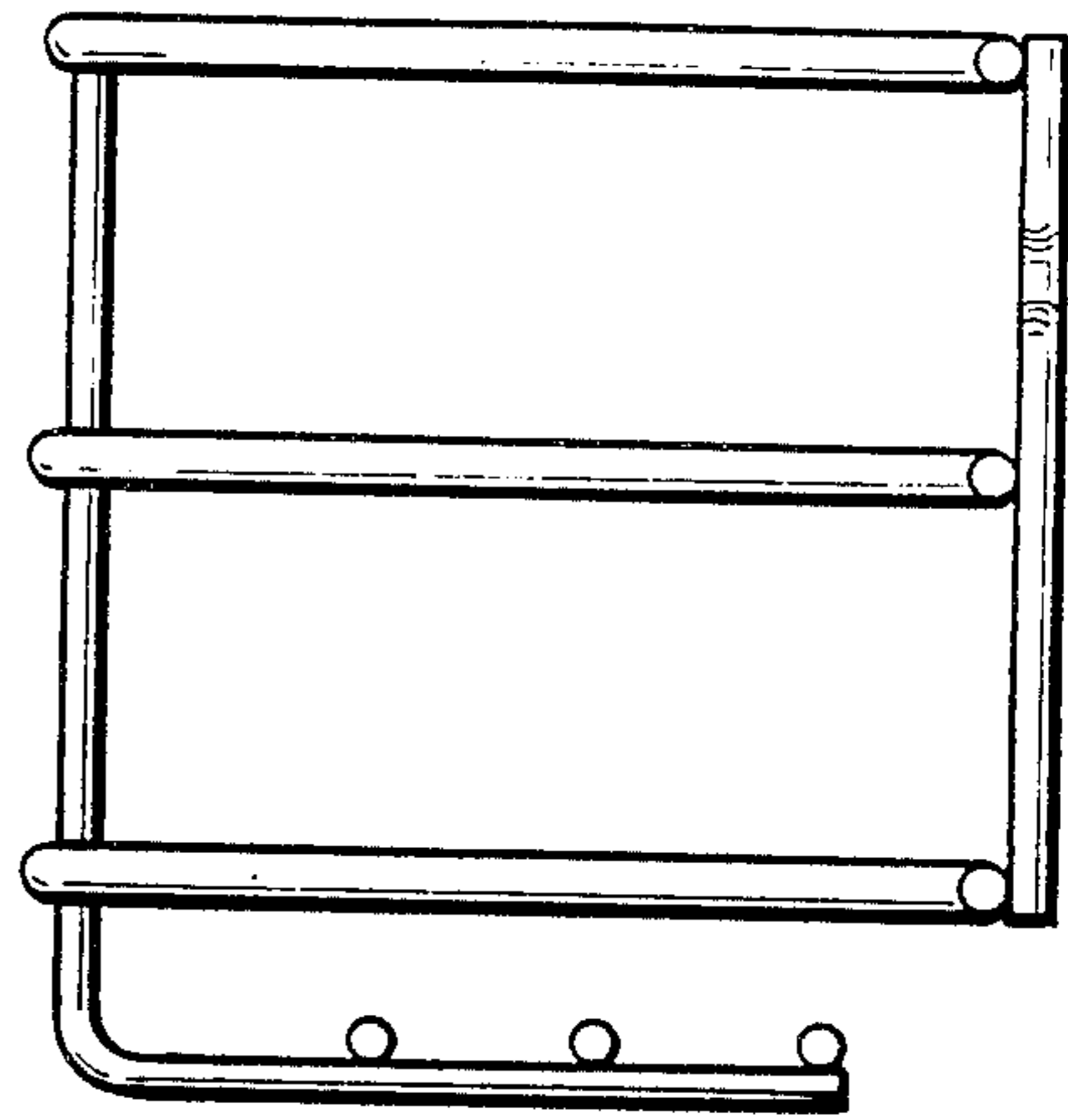
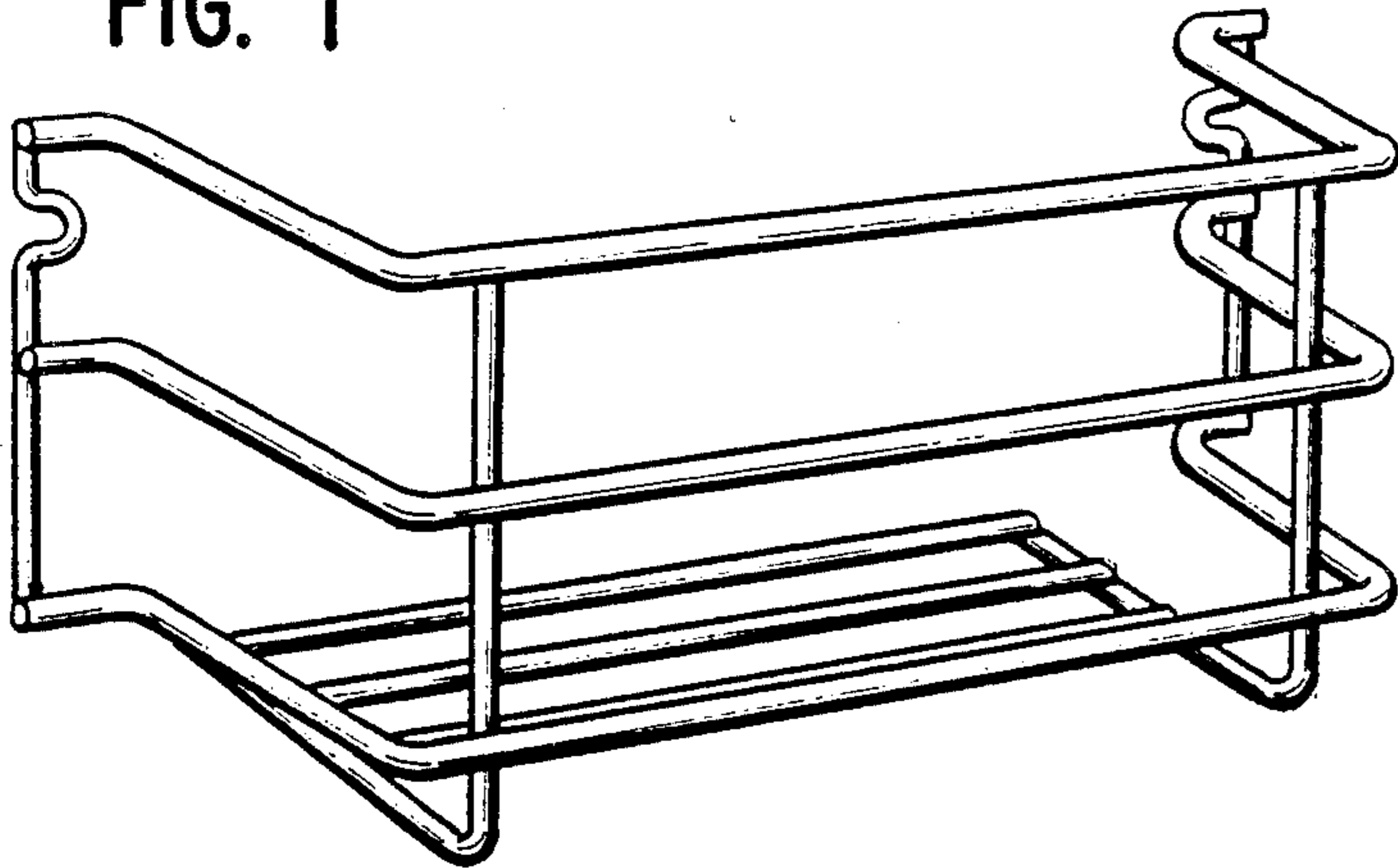


FIG. 2

FIG. 3

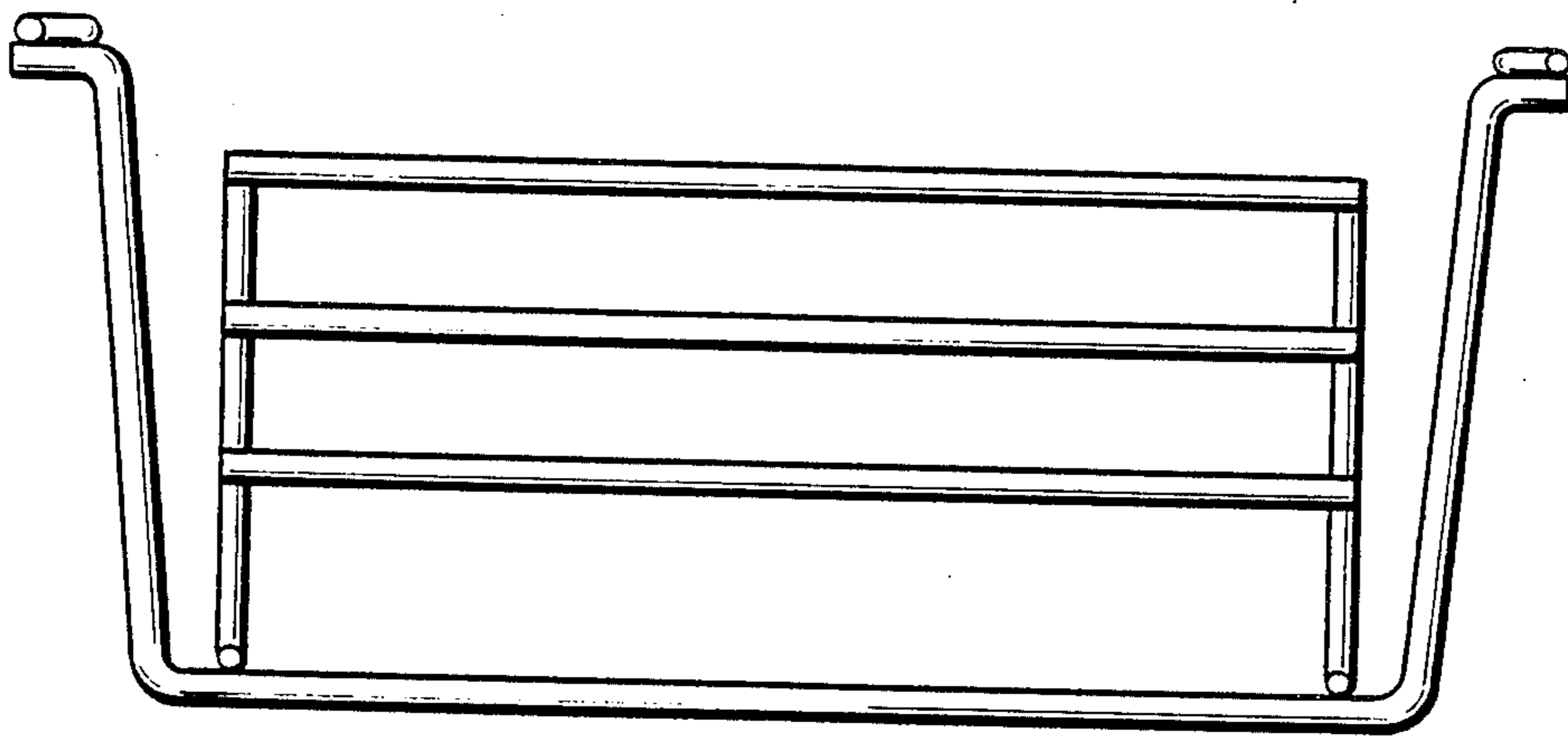


FIG. 4

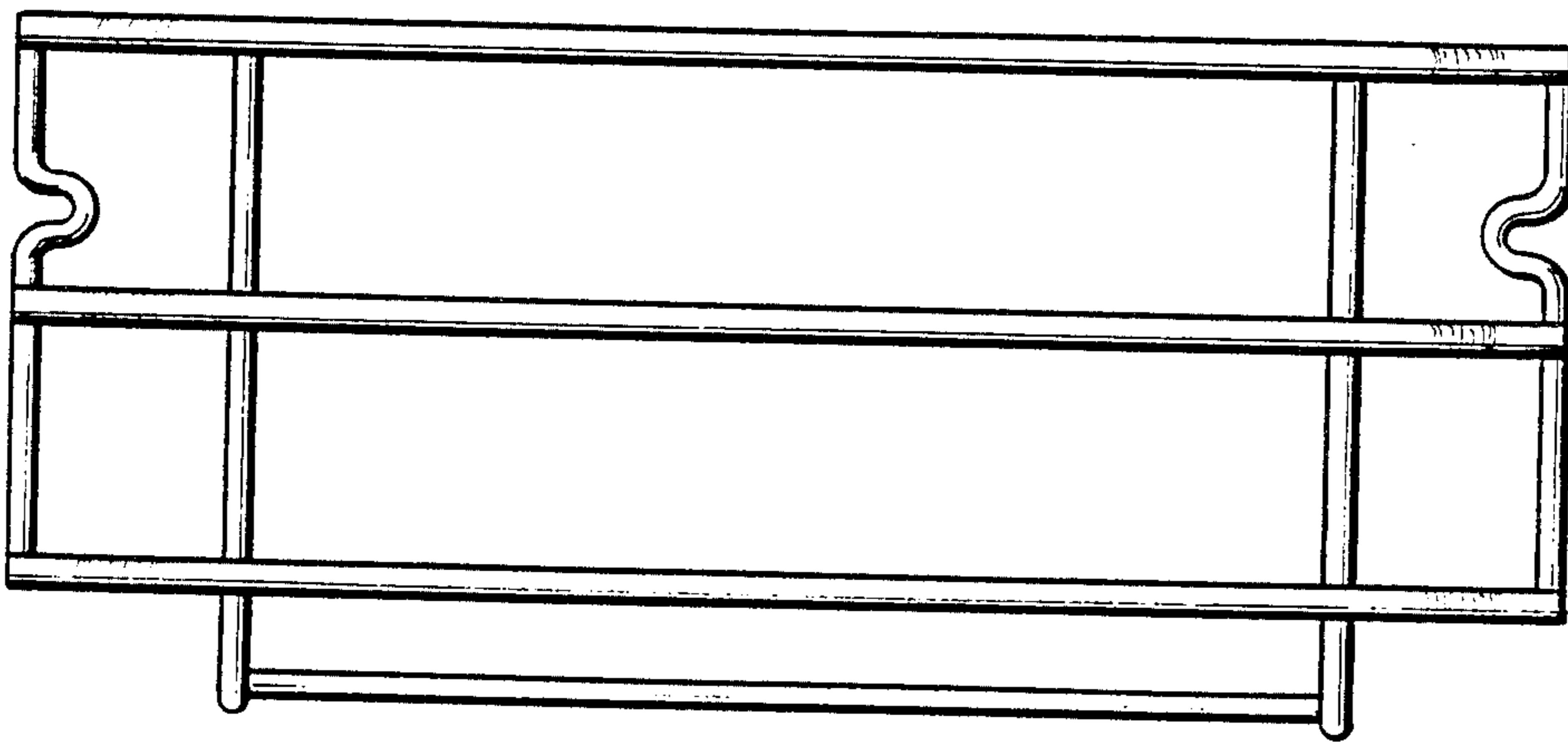


FIG. 5

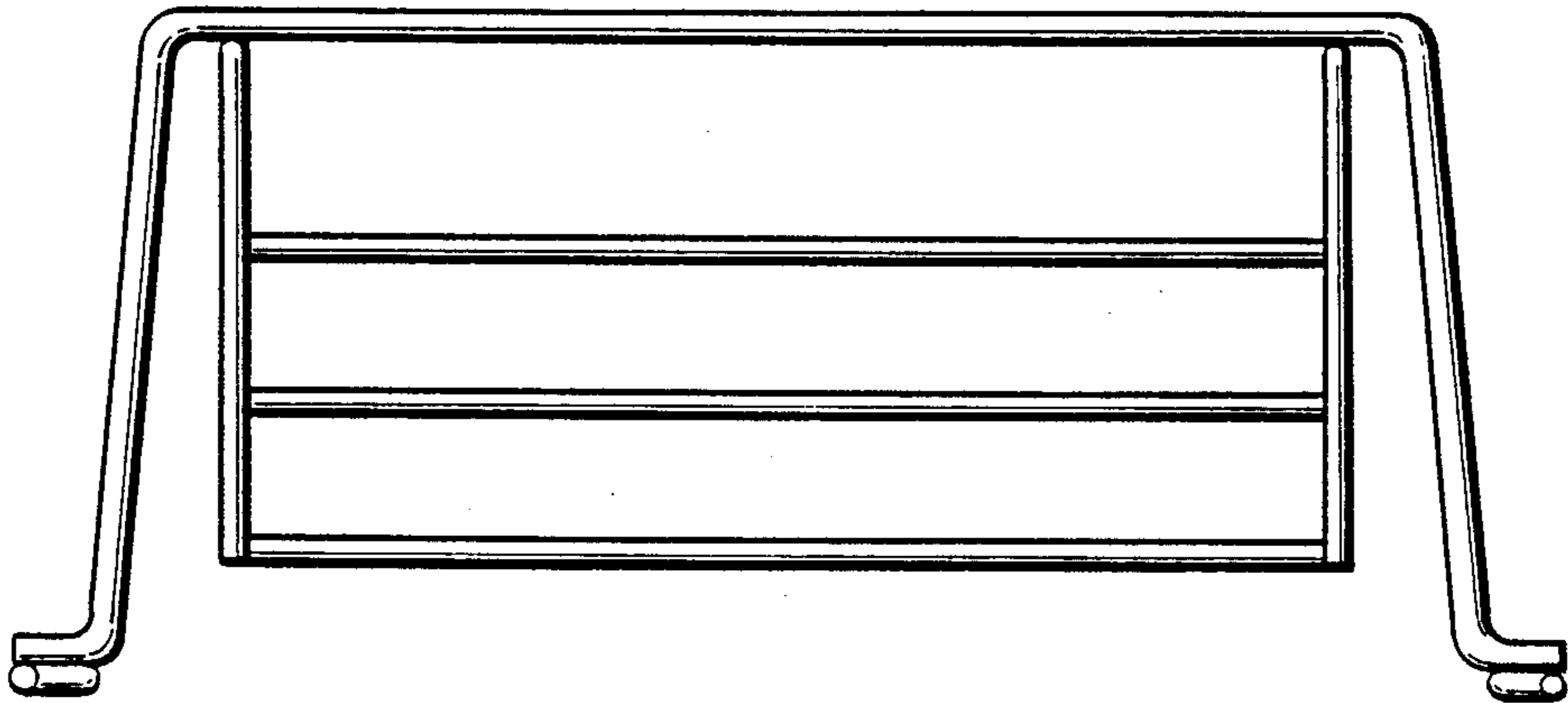


FIG. 6

