

# United States Patent [19]

Castel

[11] Patent Number: Des. 295,232

[45] Date of Patent: \*\* Apr. 19, 1988

[54] TRAY FOR SPOOLS

[75] Inventor: Lawrence Castel, Stamford, Conn.

[73] Assignee: Coats & Clark, Inc., Yorktown Heights, N.Y.

[\*\*] Term: 14 Years

[21] Appl. No.: 772,324

[22] Filed: Sep. 4, 1985

[52] U.S. Cl. .... D3/24; D6/408

[58] Field of Search ..... D6/408, 449, 515, 476, D6/467; D3/23, 24, 25; 211/59.2, 74, 13; 223/106

[56] **References Cited**

**U.S. PATENT DOCUMENTS**

D. 19,086 5/1889 Wilson ..... D3/24  
D. 165,797 1/1952 Shanahan ..... D6/476 X  
D. 191,082 8/1961 Tigner ..... D6/408  
D. 275,058 8/1984 Flum ..... D6/467

D. 277,154 1/1985 Nasgowitz ..... D6/408  
1,389,973 9/1921 O'Connor ..... 211/59.2  
3,545,176 12/1970 Wheelock ..... 211/13 X

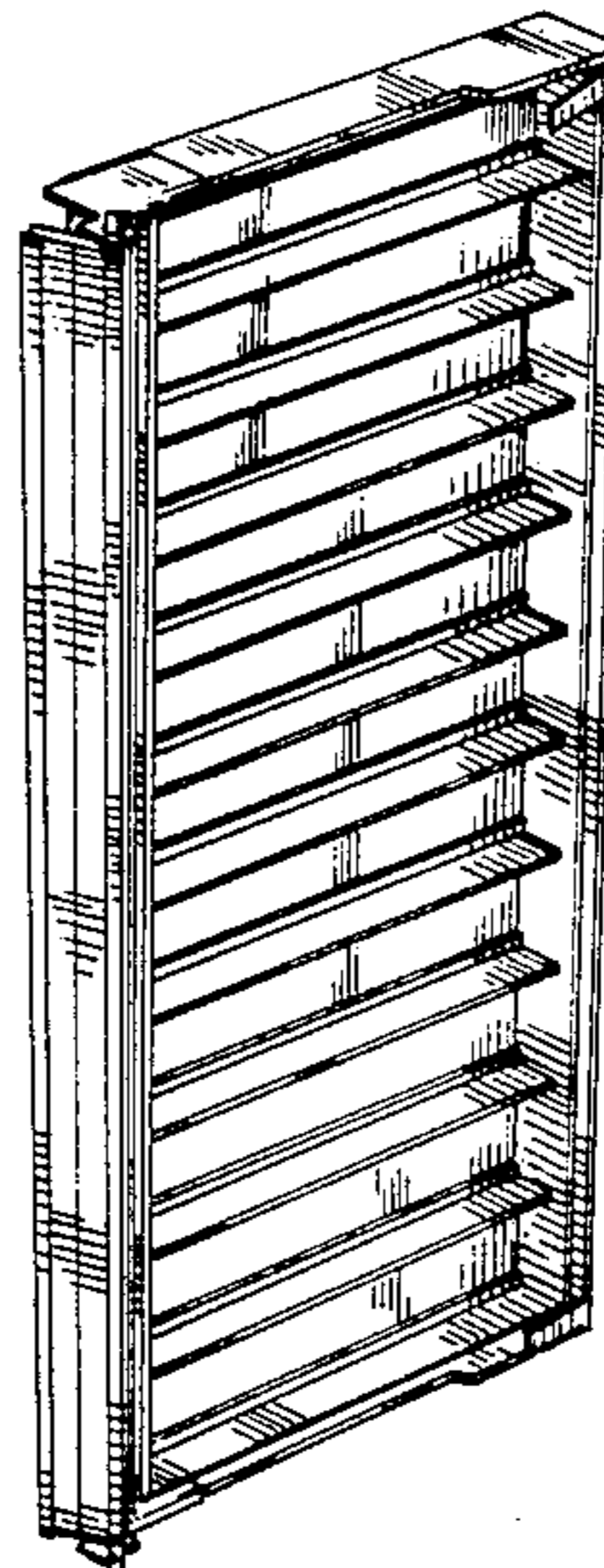
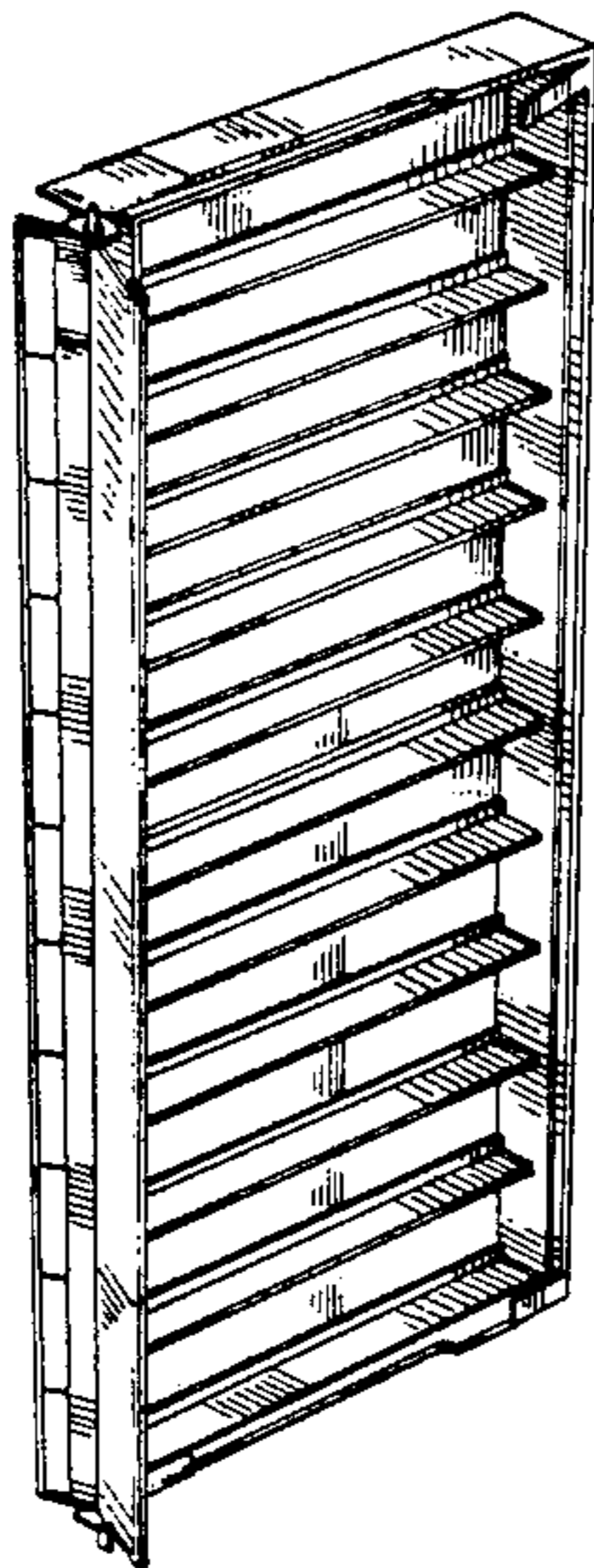
*Primary Examiner*—Carmen H. Vales  
*Attorney, Agent, or Firm*—Burgess, Ryan & Wayne

[57] **CLAIM**

The ornamental design for a tray for spools, substantially as shown and described.

**DESCRIPTION**

FIG. 1 is a perspective view of a tray for spools showing my new design;  
FIG. 2 is a front elevational view thereof;  
FIG. 3 is a rear elevational view thereof;  
FIG. 4 is a left side elevational view thereof;  
FIG. 5 is a right side elevational view thereof;  
FIG. 6 is a top plan view thereof;  
FIG. 7 is a bottom plan view thereof; and  
FIG. 8 is a perspective view with the front indicator panel in open position.



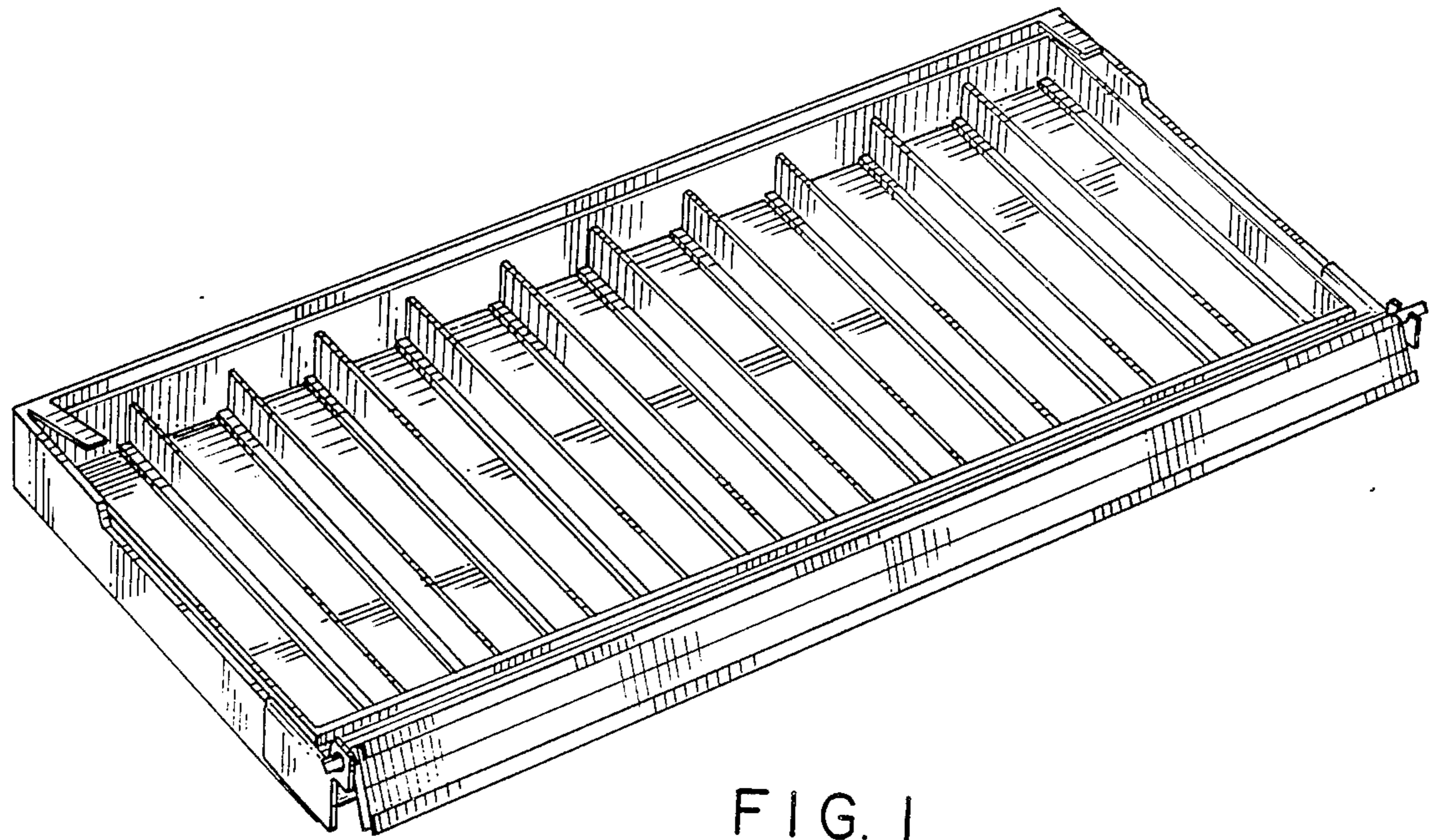


FIG. 1

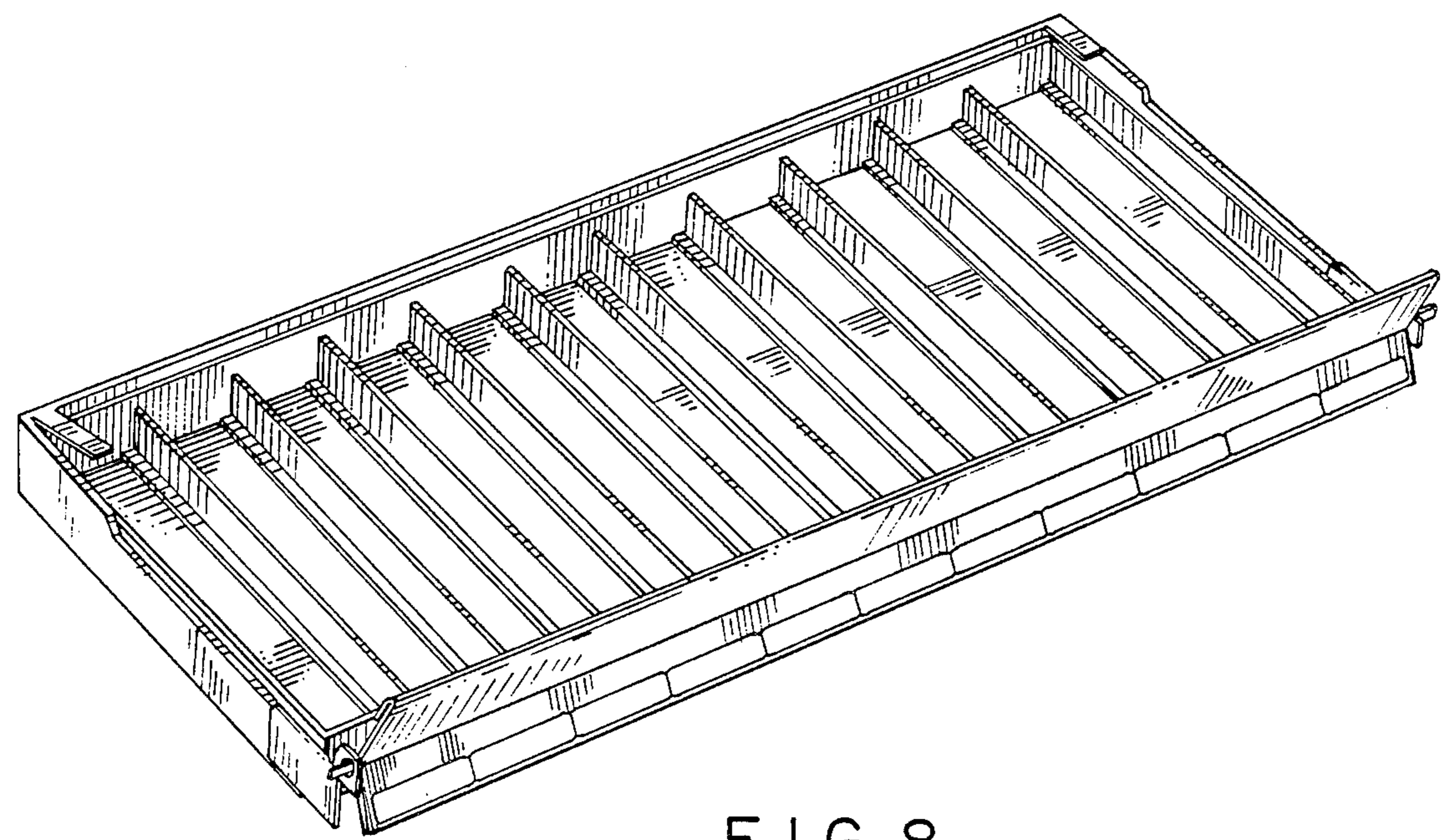


FIG. 8

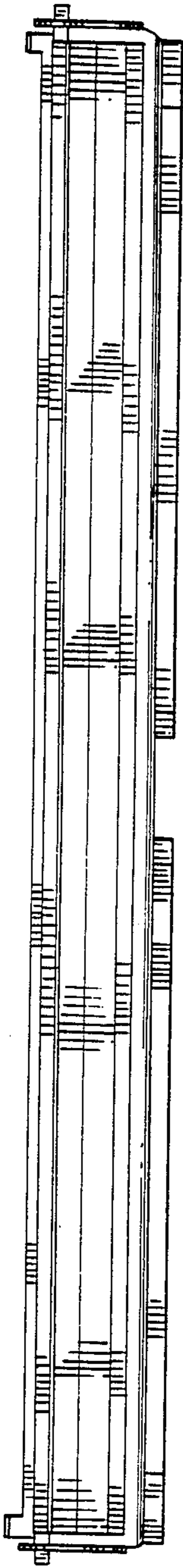


FIG. 2

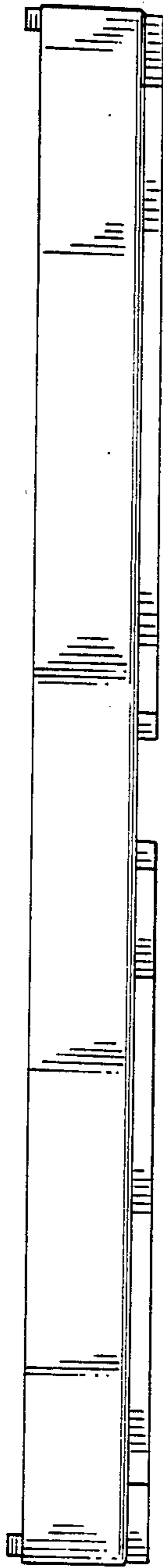


FIG. 3



FIG. 4

FIG. 5

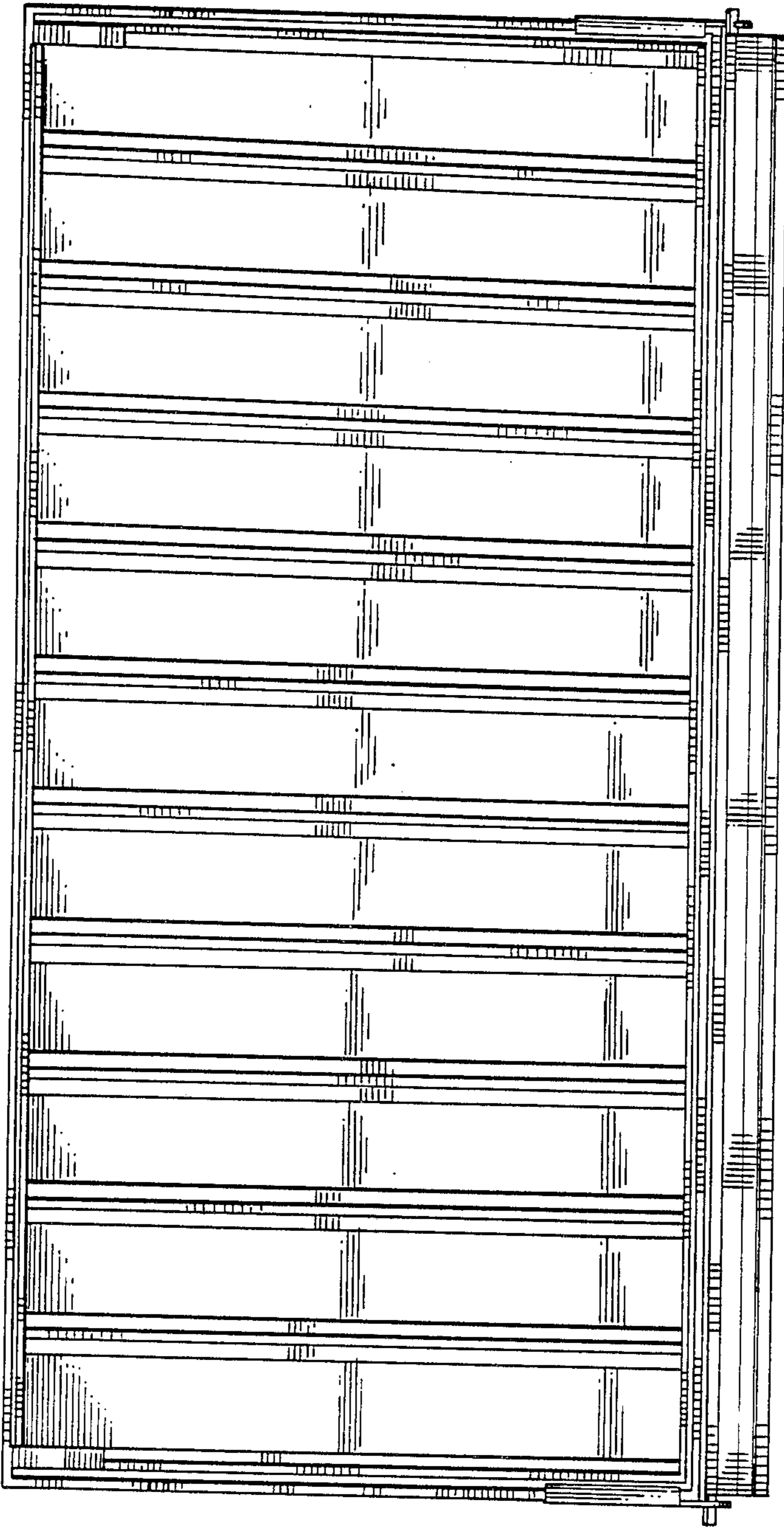


FIG. 6

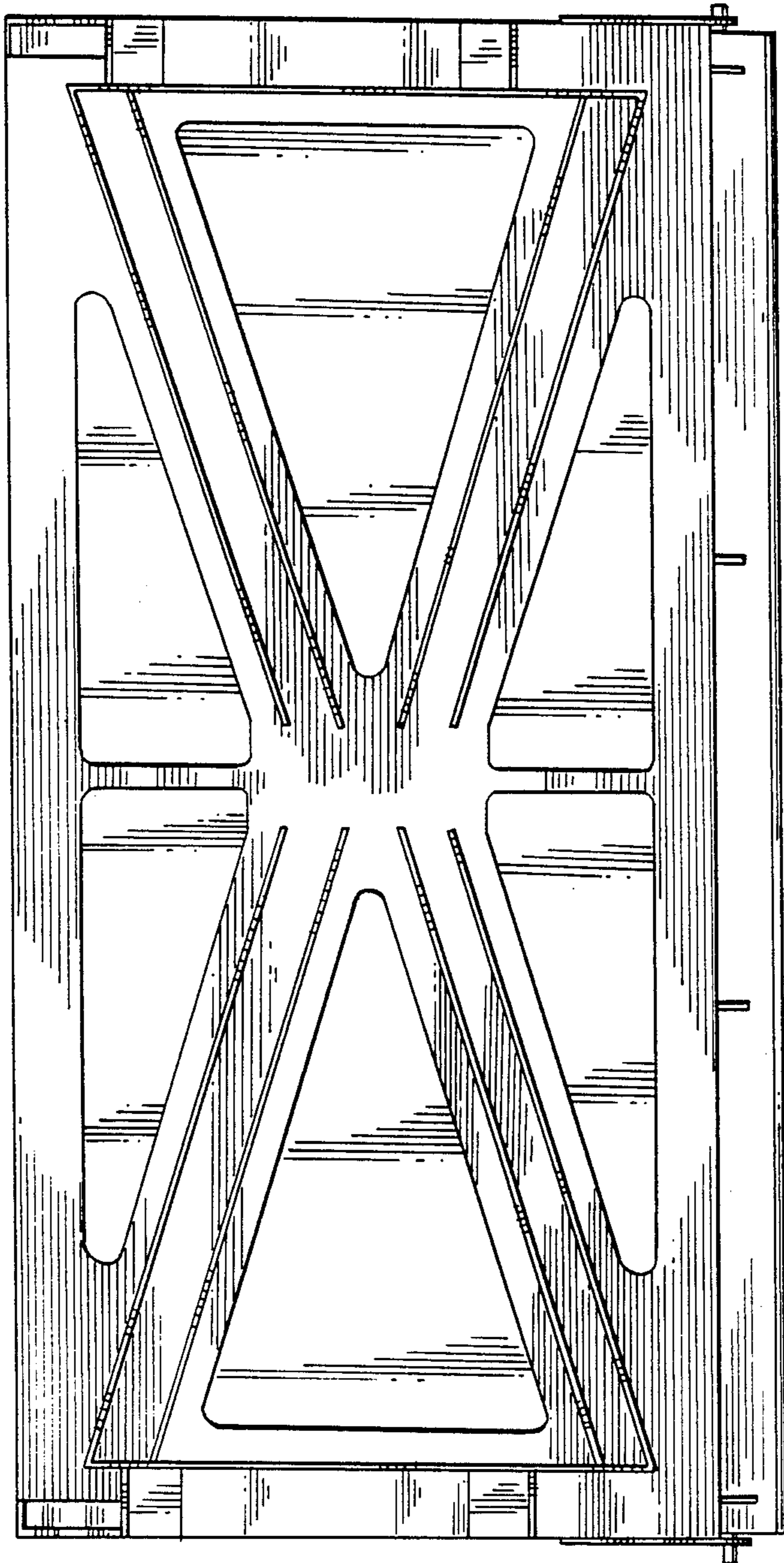


FIG. 7