

[54] **LAMP**
[75] **Inventor: Alberto Meda, Milan, Italy**
[73] **Assignee: Luce Plan Contract S.r.l., Milan, Italy**
[**] **Term: 14 Years**
[21] **Appl. No.: 754,620**
[22] **Filed: Jul. 12, 1985**
[52] **U.S. Cl. D26/65**
[58] **Field of Search D26/60-66;**
362/410, 411, 413, 414, 418, 427, 269, 275

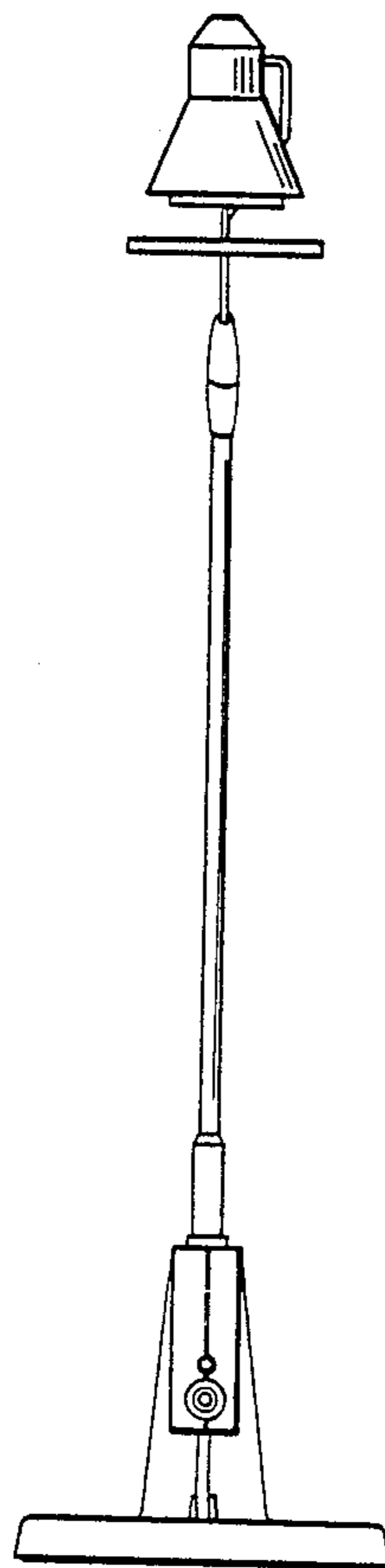
2,878,371 3/1959 Hanlin D26/62 X

Primary Examiner—Susan J. Lucas
Attorney, Agent, or Firm—Ashen Golant Martin & Seldon

[56] **References Cited**
U.S. PATENT DOCUMENTS
D. 158,617 5/1950 Rosenberg D26/63
D. 178,415 7/1956 Mugnai D26/64 X

[57] **CLAIM**
The ornamental design for a lamp, as shown and described herein.

DESCRIPTION
FIG. 1 is a front elevational view of a lamp showing my new design;
FIG. 2 is a side elevational view thereof, the opposite side being a mirror image;
FIG. 3 is a top plan view thereof;
FIG. 4 is a top, front perspective view thereof with the lamp in an alternate position.



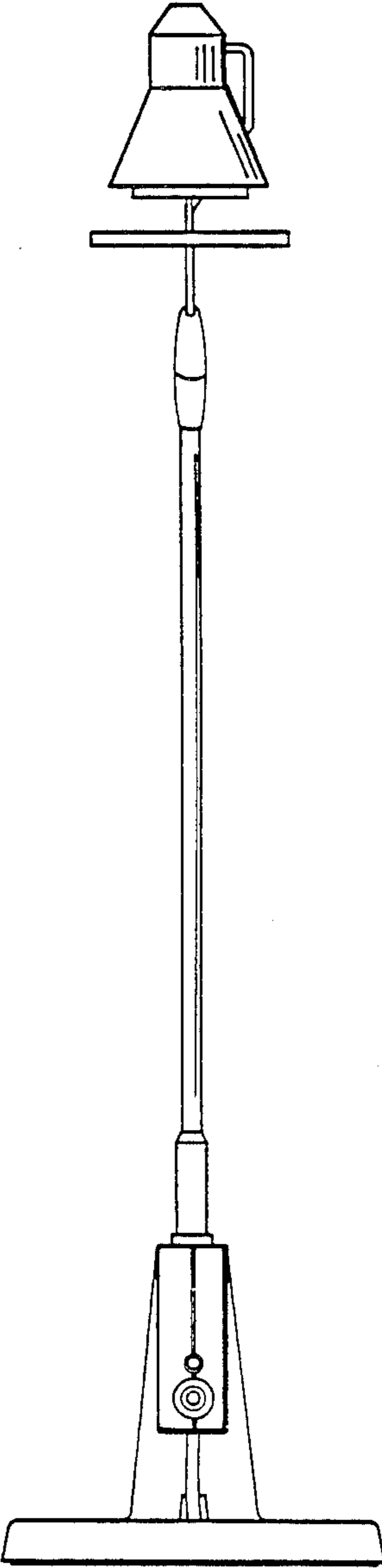


FIG.1

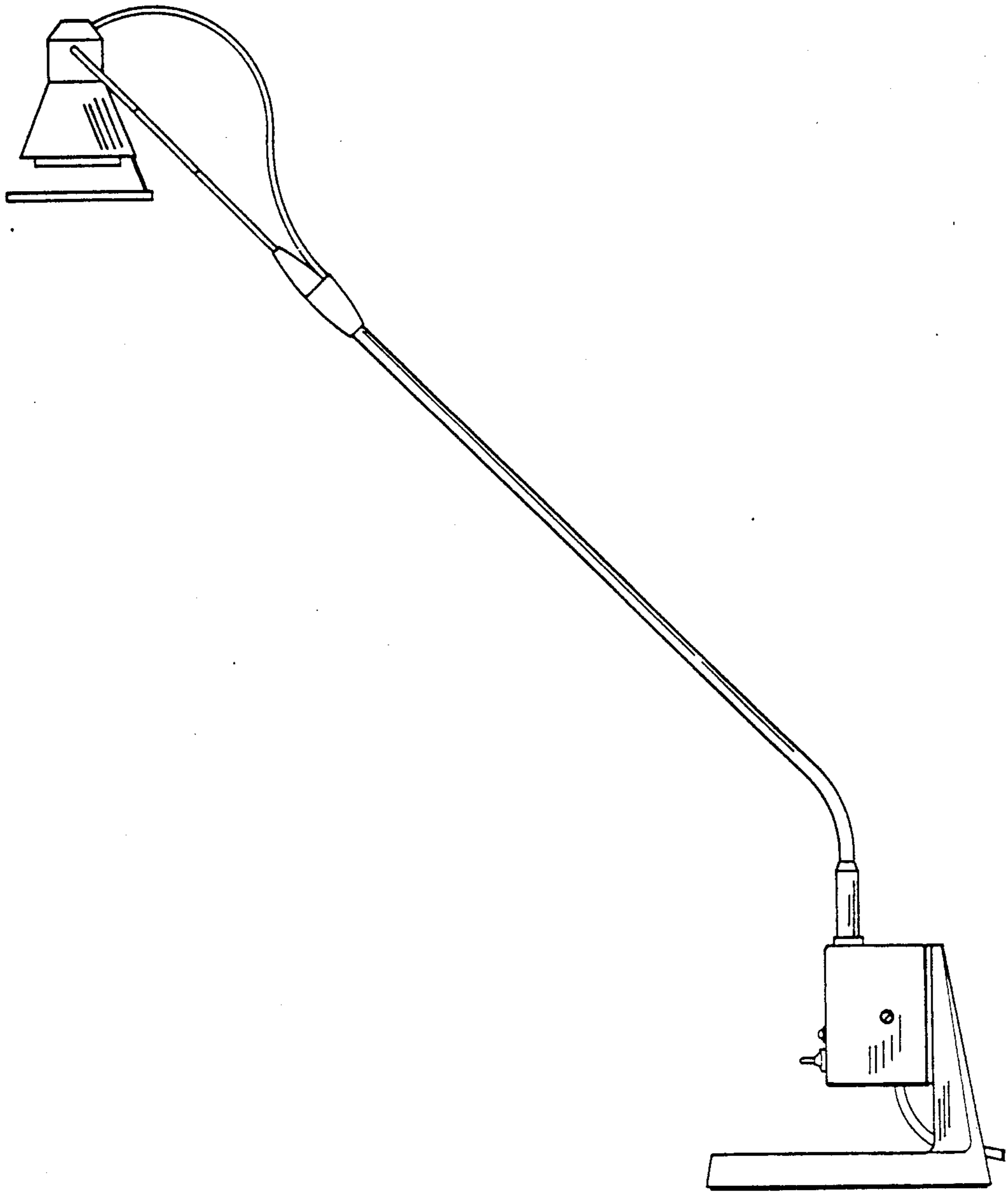


FIG. 2

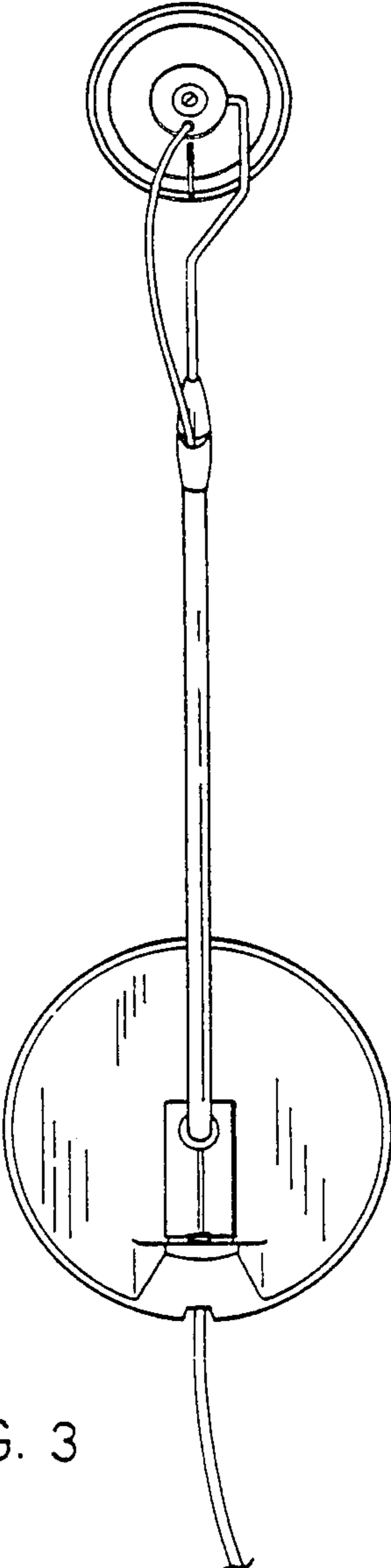


FIG. 3

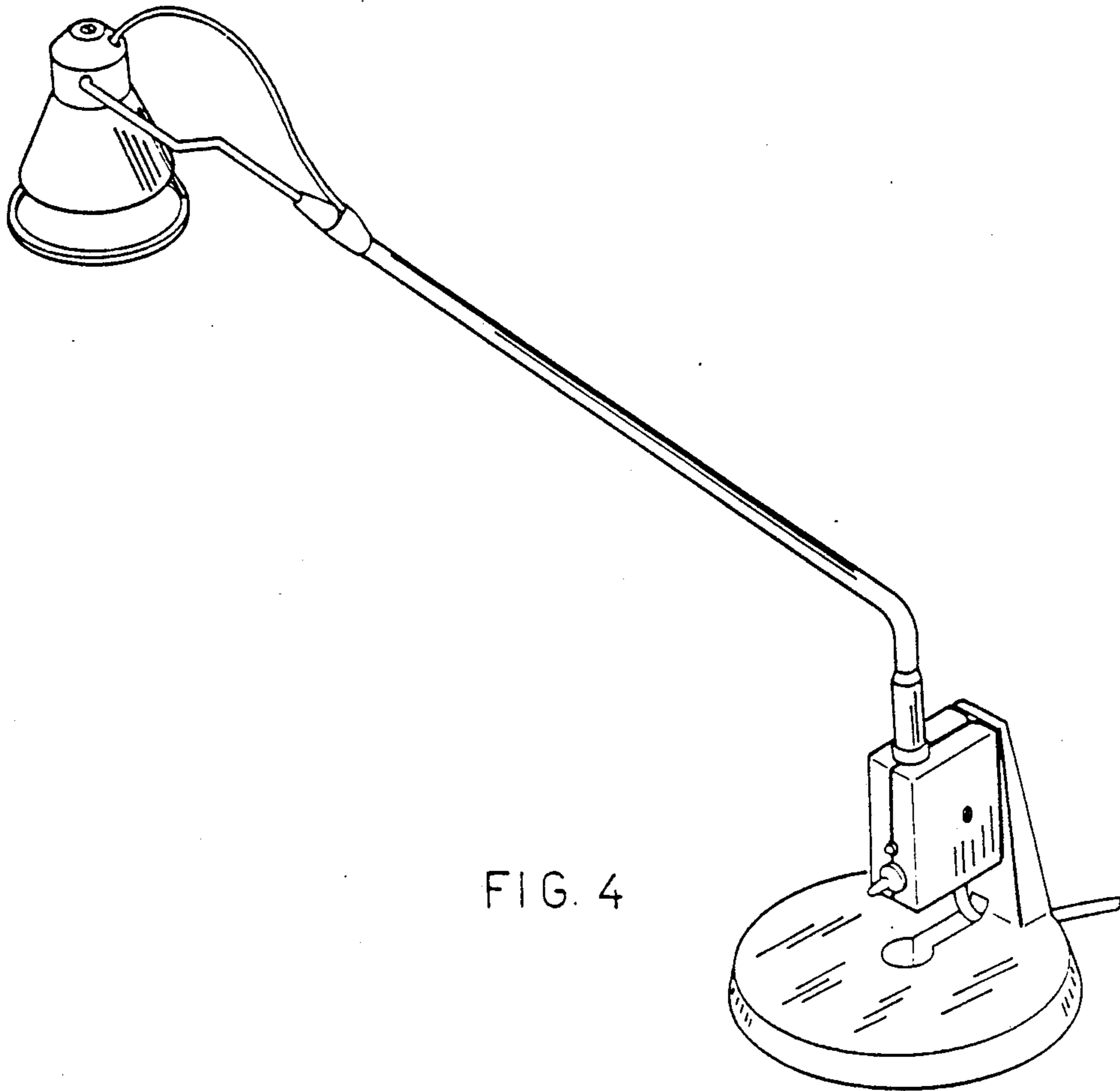


FIG. 4