

[54] SPRAY GUN OR SIMILAR ARTICLE

[75] Inventor: David C. Miller, Ridgefield, Conn.

[73] Assignee: Wagner Spray Tech Corporation, Minneapolis, Minn.

[\*\*] Term: 14 Years

[21] Appl. No.: 703,724

[22] Filed: Feb. 21, 1985

[52] U.S. Cl. .... D23/225

[58] Field of Search ..... D23/17-18; 239/154, 302, 318, 331-333, 337, 436, 525-528, 532, DIG. 14

[56] References Cited

U.S. PATENT DOCUMENTS

D. 156,873	1/1950	Elsner	.....	D23/18
D. 235,544	6/1975	Bippus	.....	D23/18
D. 237,796	11/1975	Wagner	.....	D23/18
D. 251,602	4/1979	Widmer	.....	D23/18
D. 268,778	4/1983	Moon	.....	D23/18
D. 284,988	8/1986	Powell	.....	D23/17

OTHER PUBLICATIONS

Hardware Age, Sep. 1983, p. 5 "EZ Painter".  
Hardware Age, Mar. 1982, p. 99 "Burgess" paint sprayer.  
J. C. Whitney Parts & Accessories Catalogue, 1982, p. 116 "Paint Sprayer Kits", B.

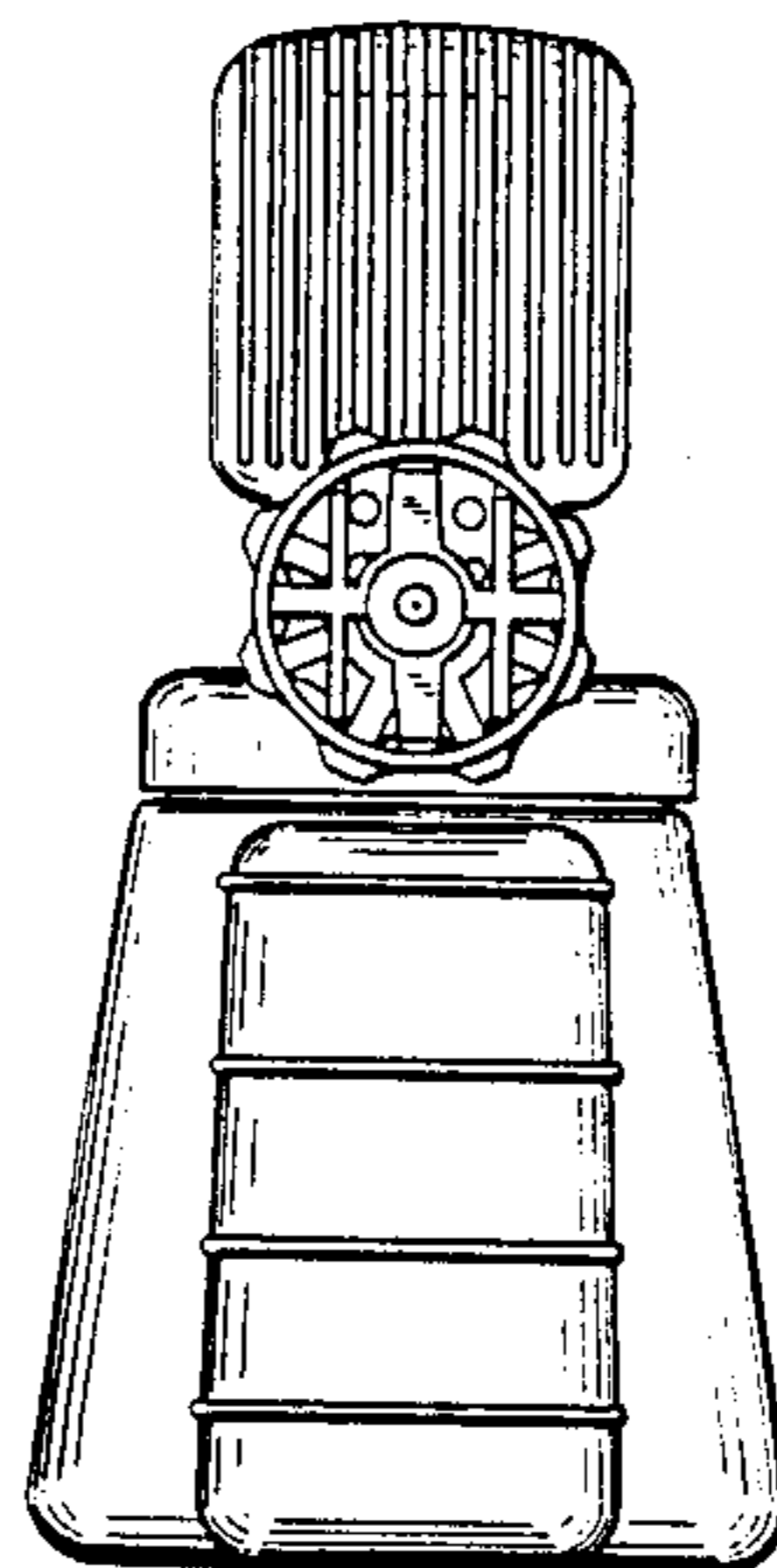
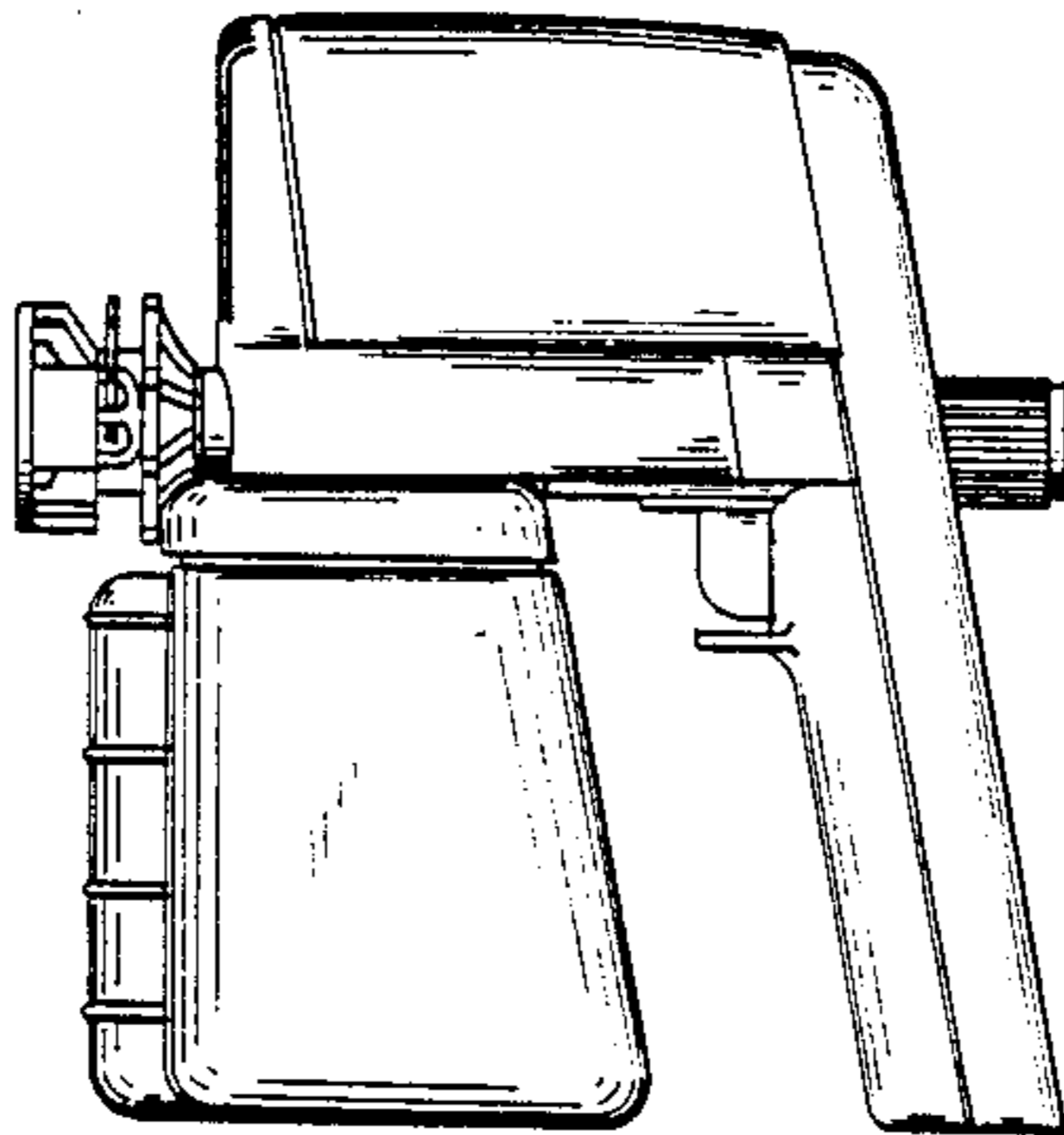
Primary Examiner—Susan J. Lucas  
Assistant Examiner—Brian N. Vinson  
Attorney, Agent, or Firm—Hill, Van Santen, Steadman & Simpson

[57] CLAIM

The ornamental design for a spray gun or similar article, as shown and described.

DESCRIPTION

FIG. 1 is a right side elevational view of a spray gun or similar article showing my new design;  
FIG. 2 is a front elevational view thereof;  
FIG. 3 is a top plan view thereof;  
FIG. 4 is a left side elevational view thereof;  
FIG. 5 is a rear elevational view thereof; and  
FIG. 6 is a bottom plan view thereof.



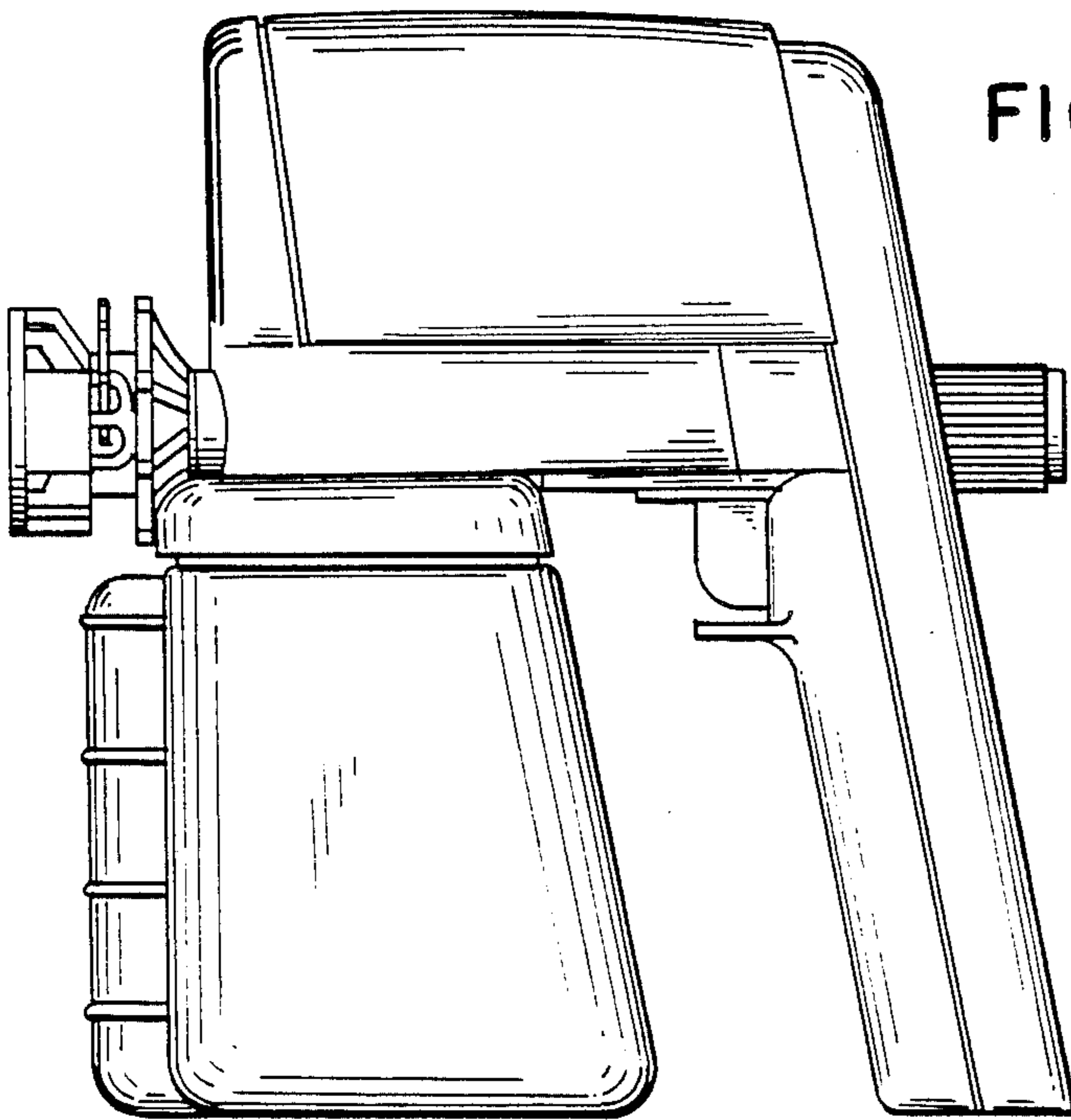


FIG. 1

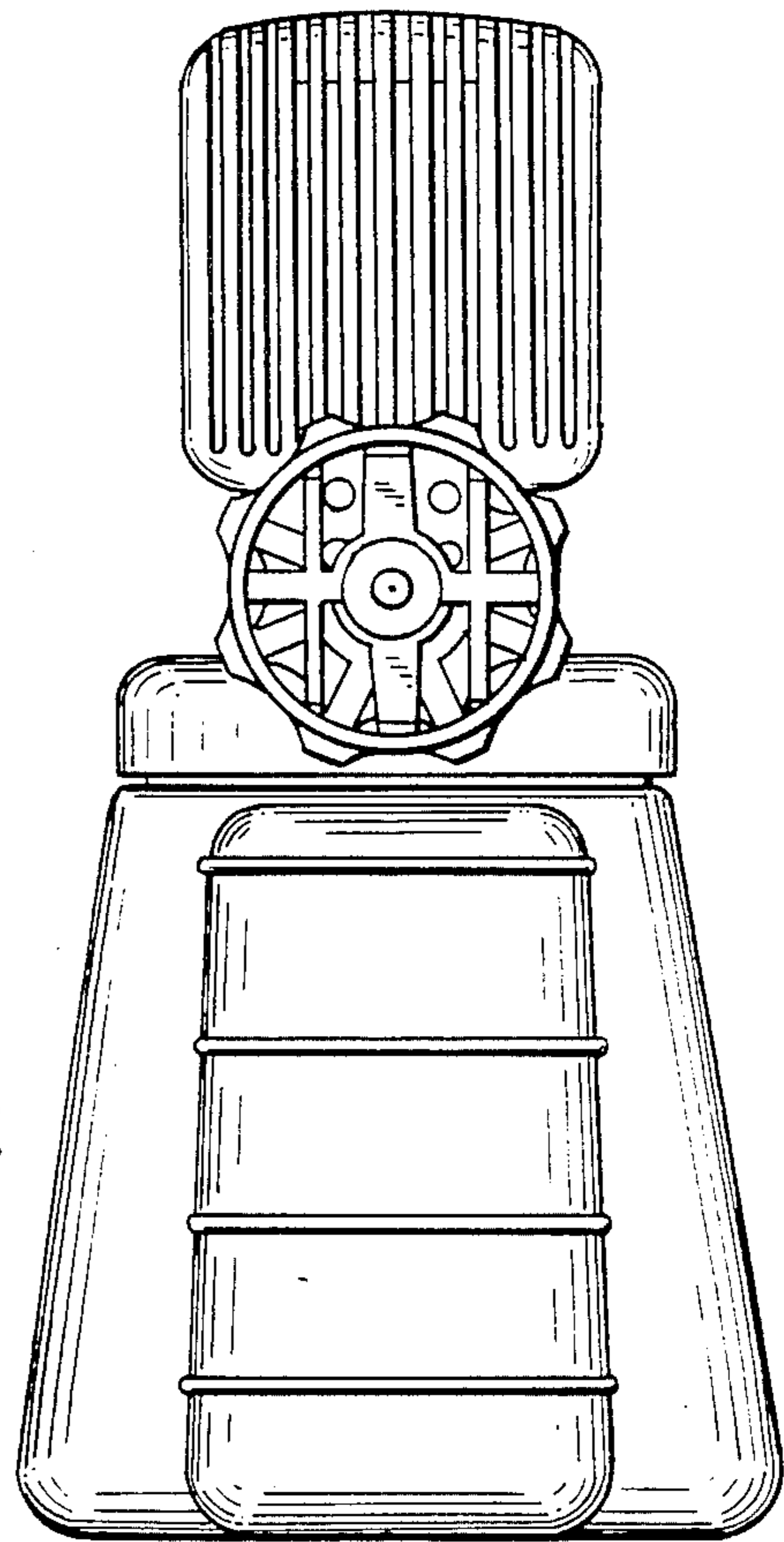


FIG. 2

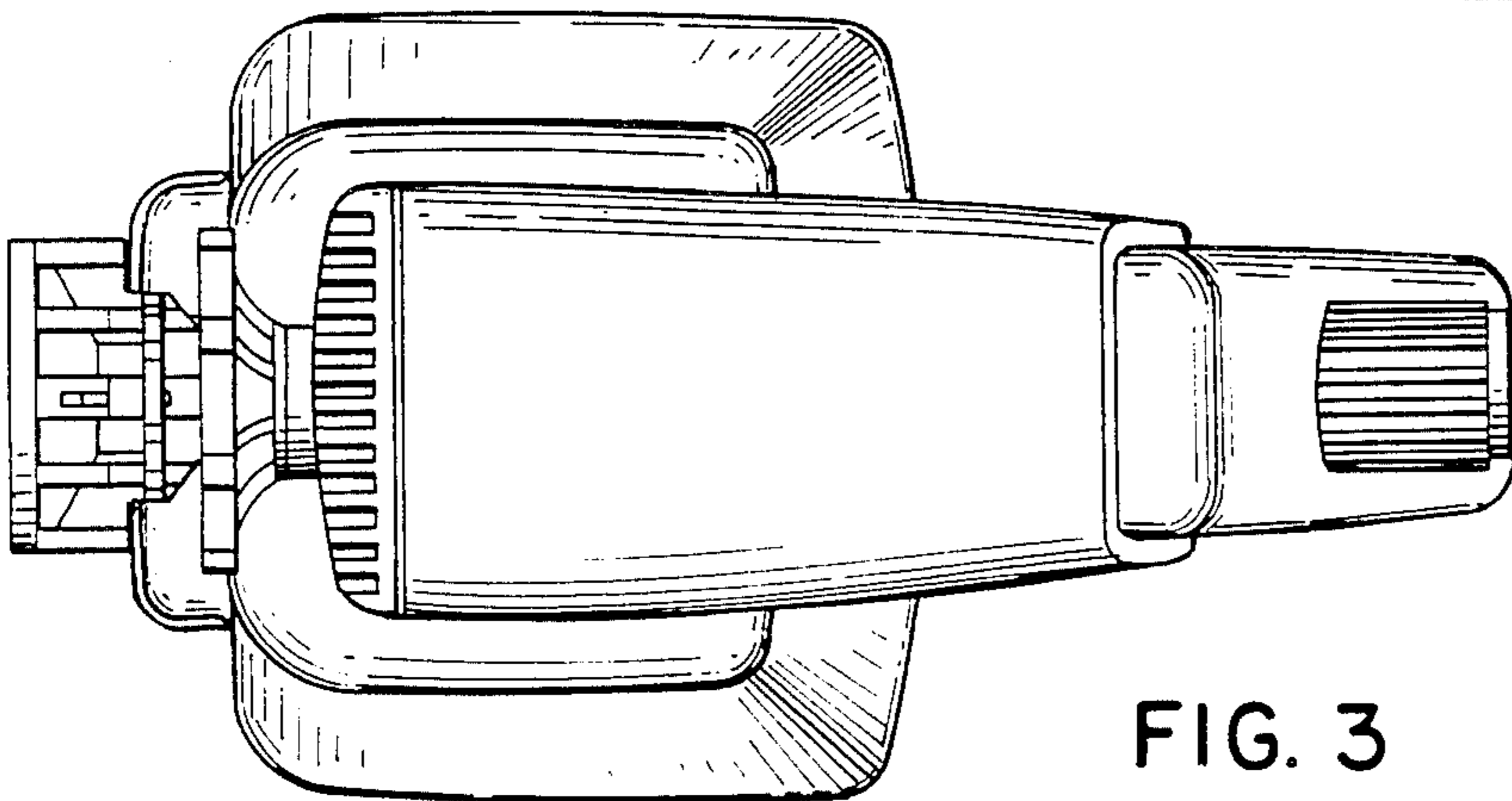


FIG. 3

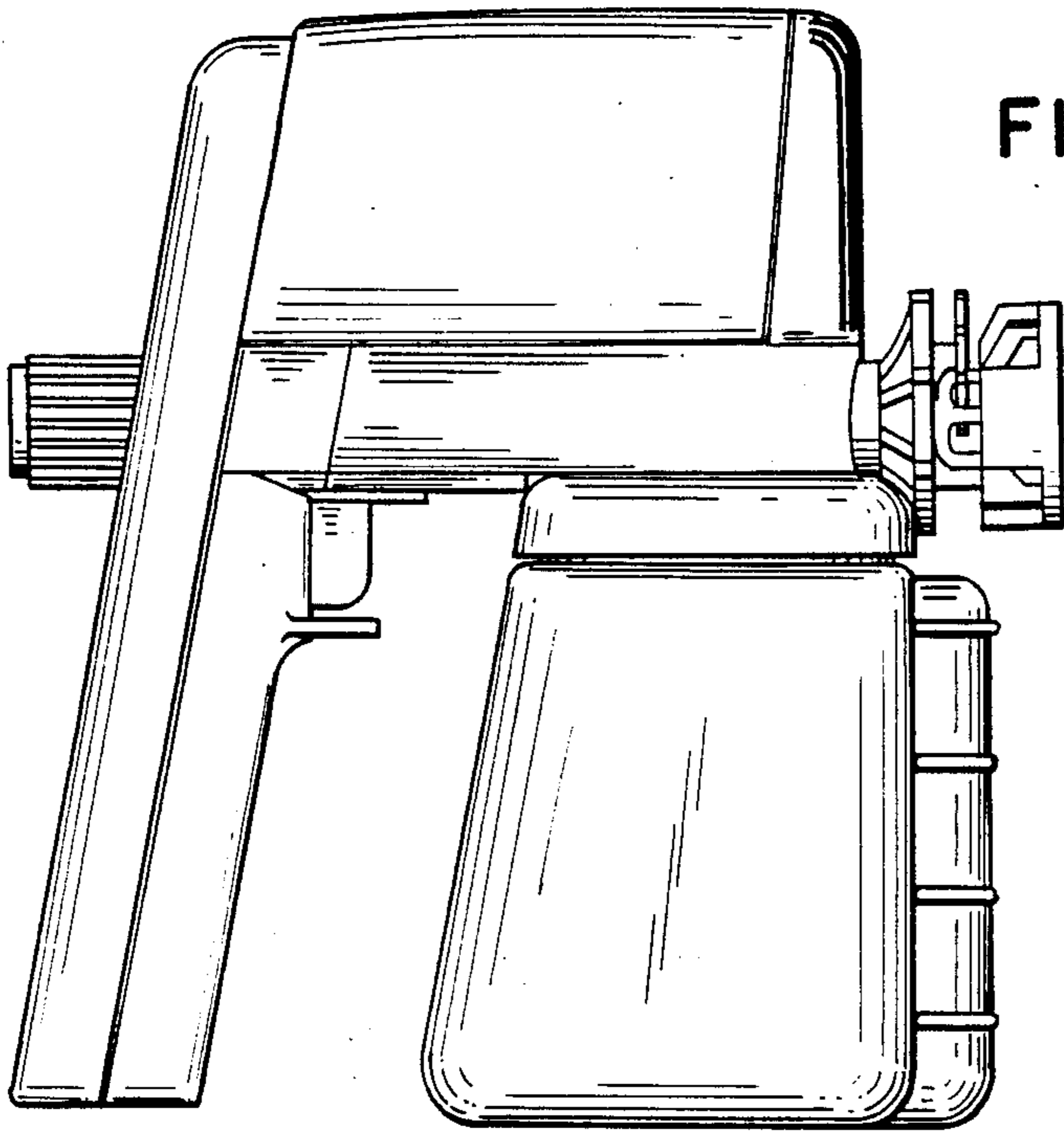


FIG. 4

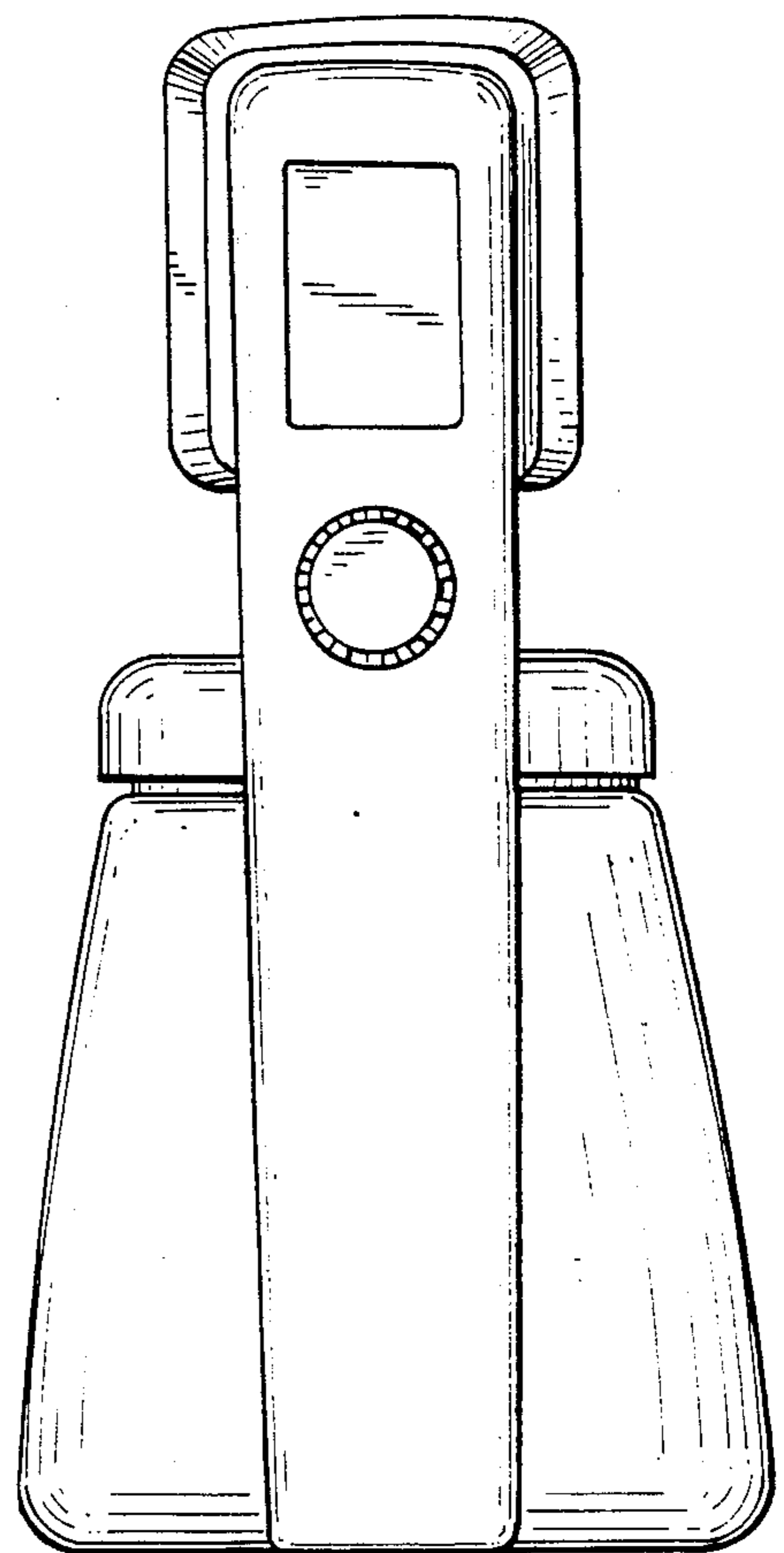


FIG. 5

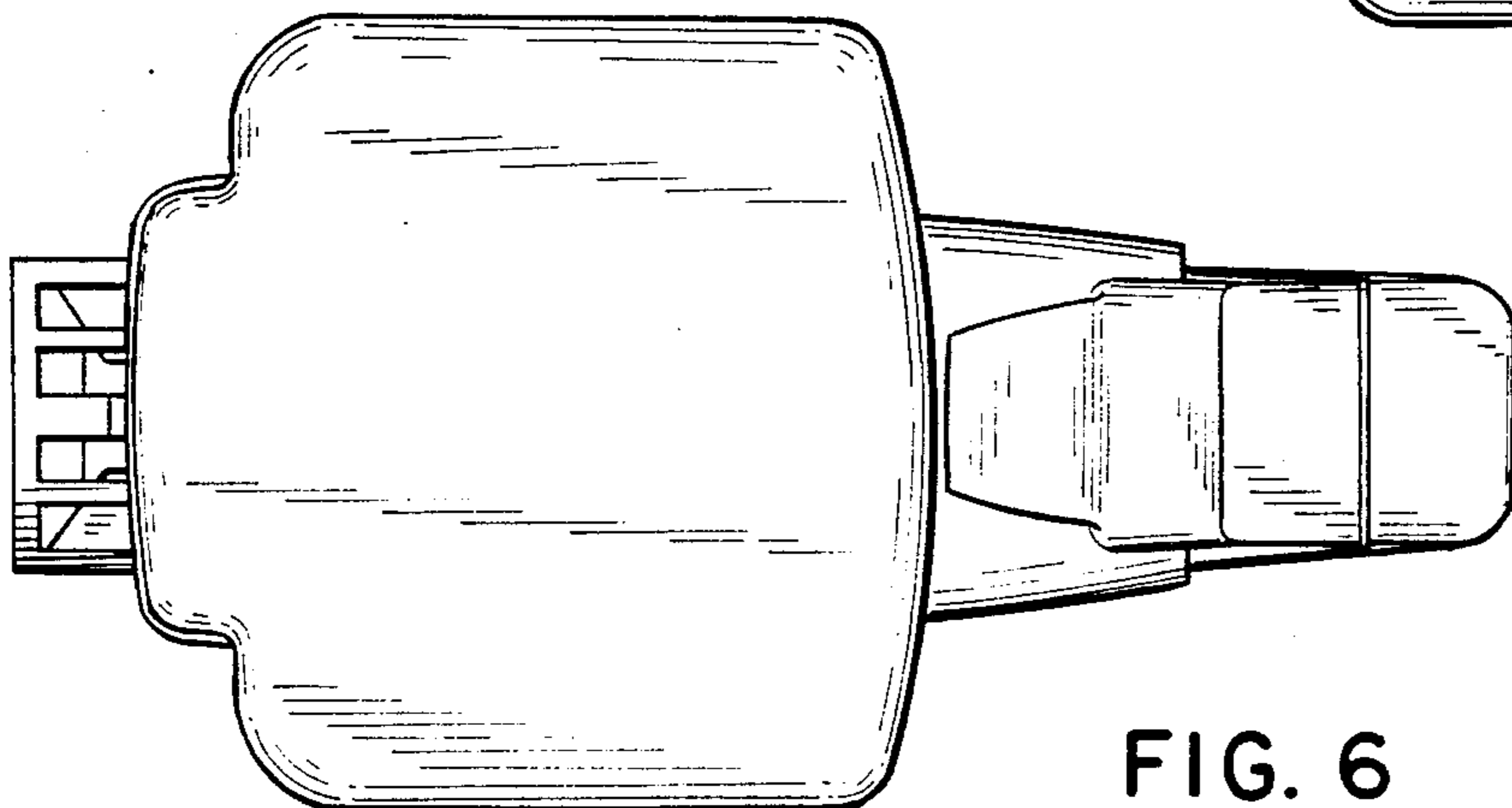


FIG. 6