

[54] **BASE FOR LAWN SPRINKLER**

[75] Inventor: **Kenneth Hattori, Bensenville, Ill.**

[73] Assignee: **Suncast Corporation, Batavia, Ill.**

[**] Term: **14 Years**

[21] Appl. No.: **816,571**

[22] Filed: **Jan. 6, 1986**

[52] U.S. Cl. **D23/221**

[58] Field of Search **D23/6-8;**
239/230, 261, 264, 273, 275

[56] **References Cited**

U.S. PATENT DOCUMENTS

- D. 243,239 2/1977 Hutton et al. D23/7
- D. 269,200 5/1983 MacKay et al. D23/7
- D. 277,776 2/1985 Lemkin D23/7
- D. 277,778 2/1985 Lemkin D23/7

D. 286,670 11/1986 Lemkin et al. D23/7

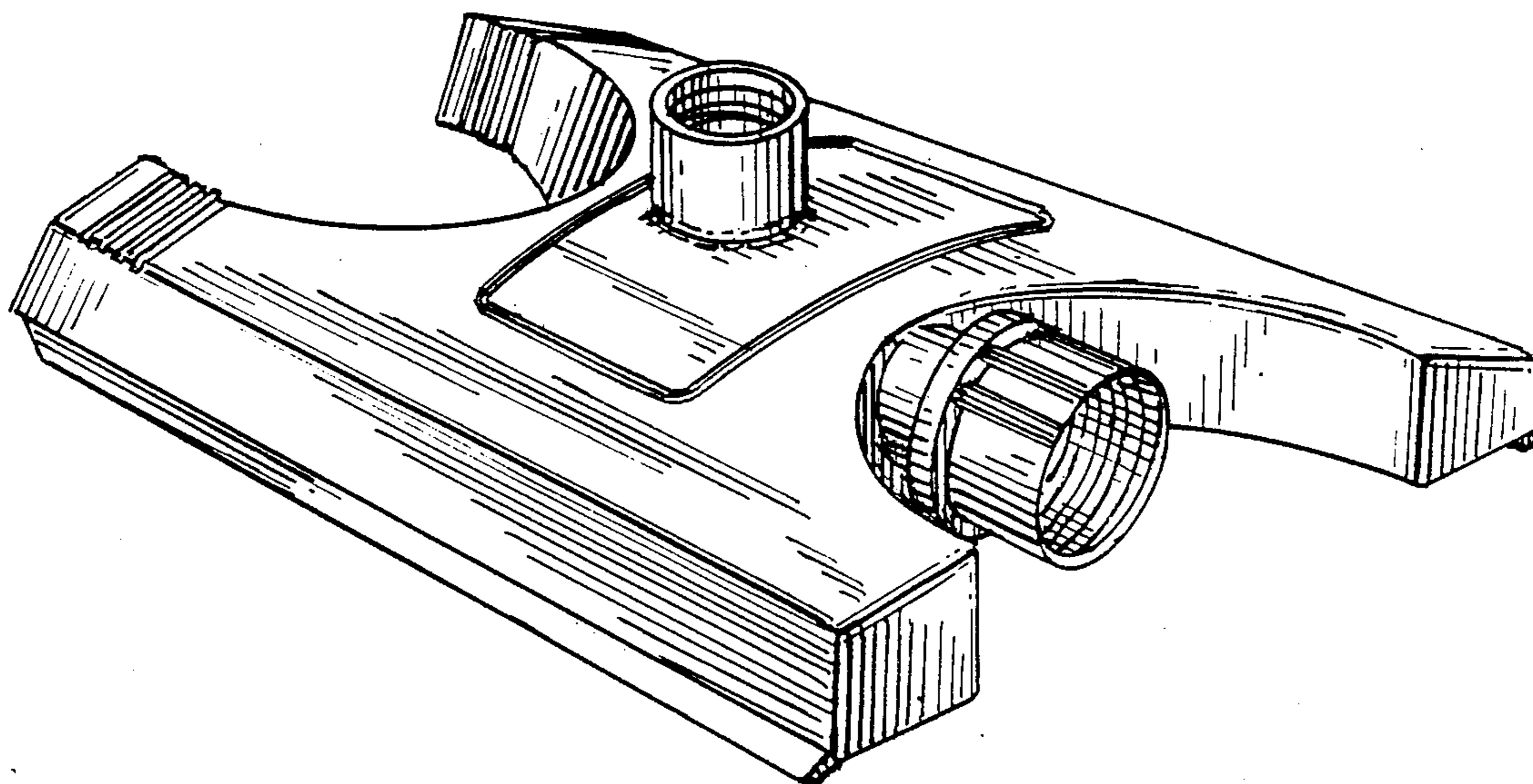
Primary Examiner—B. J. Bullock
Assistant Examiner—Brian N. Vinson
Attorney, Agent, or Firm—Fitch, Even, Tabin & Flannery

[57] **CLAIM**

The ornamental design for a base for lawn sprinkler, substantially as shown and described.

DESCRIPTION

FIG. 1 is a top, rear perspective view of a base for lawn sprinkler showing my new design; FIG. 2 is a top plan view thereof; FIG. 3 is a left side elevational view thereof, the right side being a mirror image; FIG. 4 is a rear end elevational view thereof; FIG. 5 is a front end elevational view thereof; and, FIG. 6 is a bottom plan view thereof.



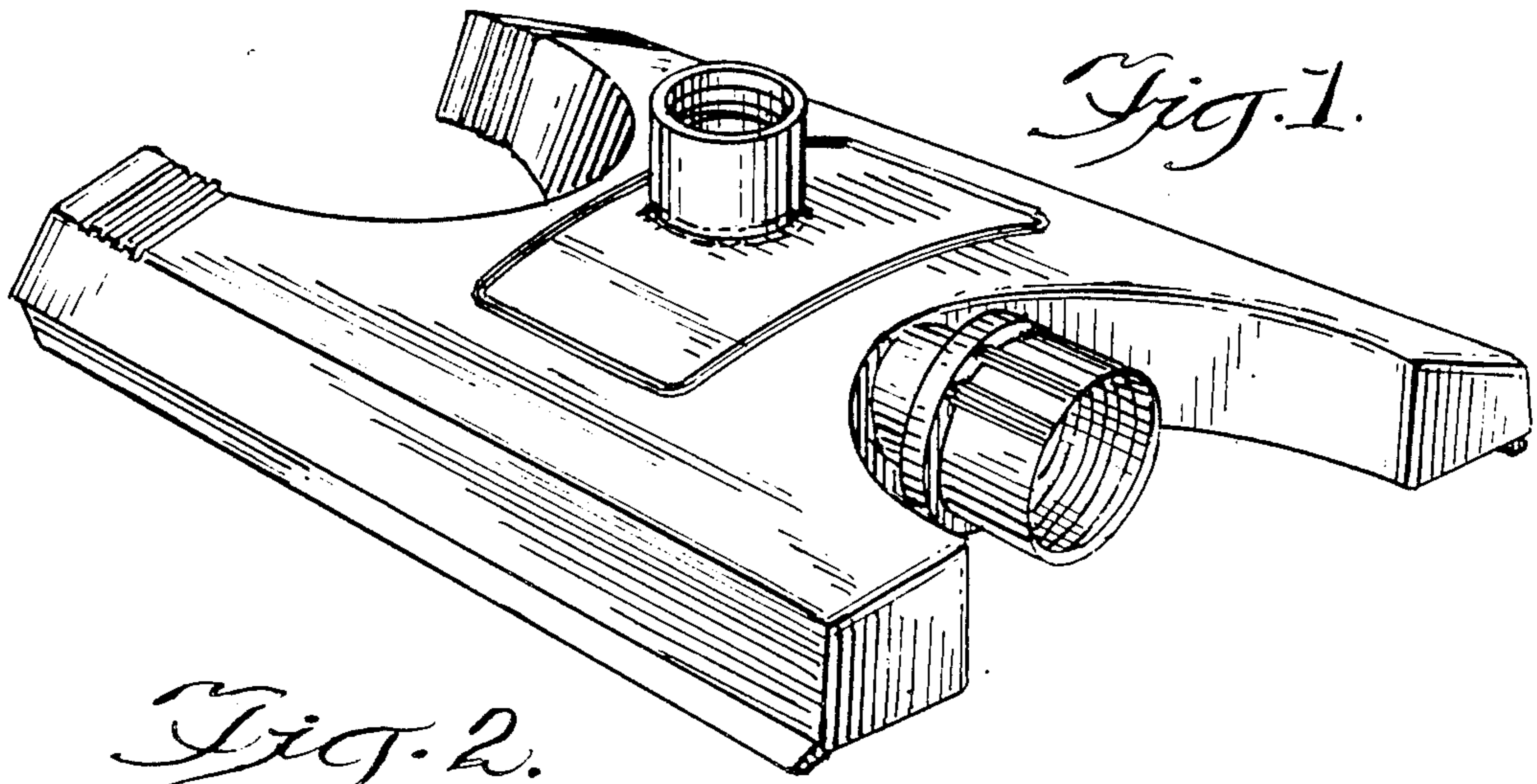


Fig. 2.

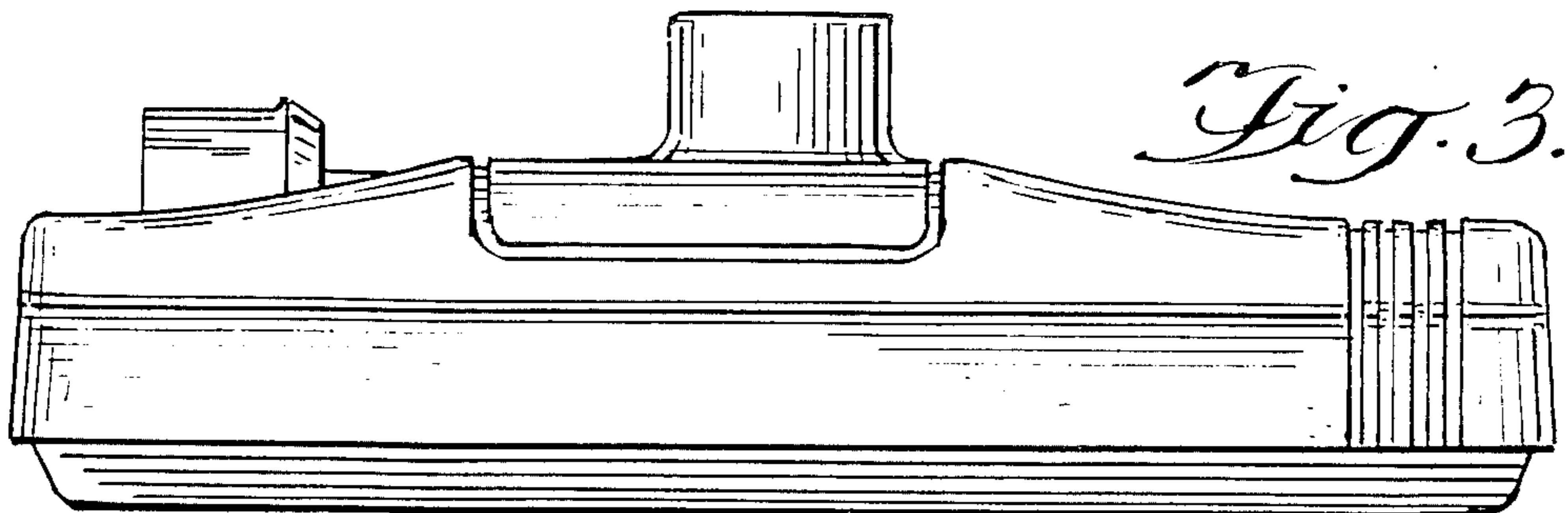
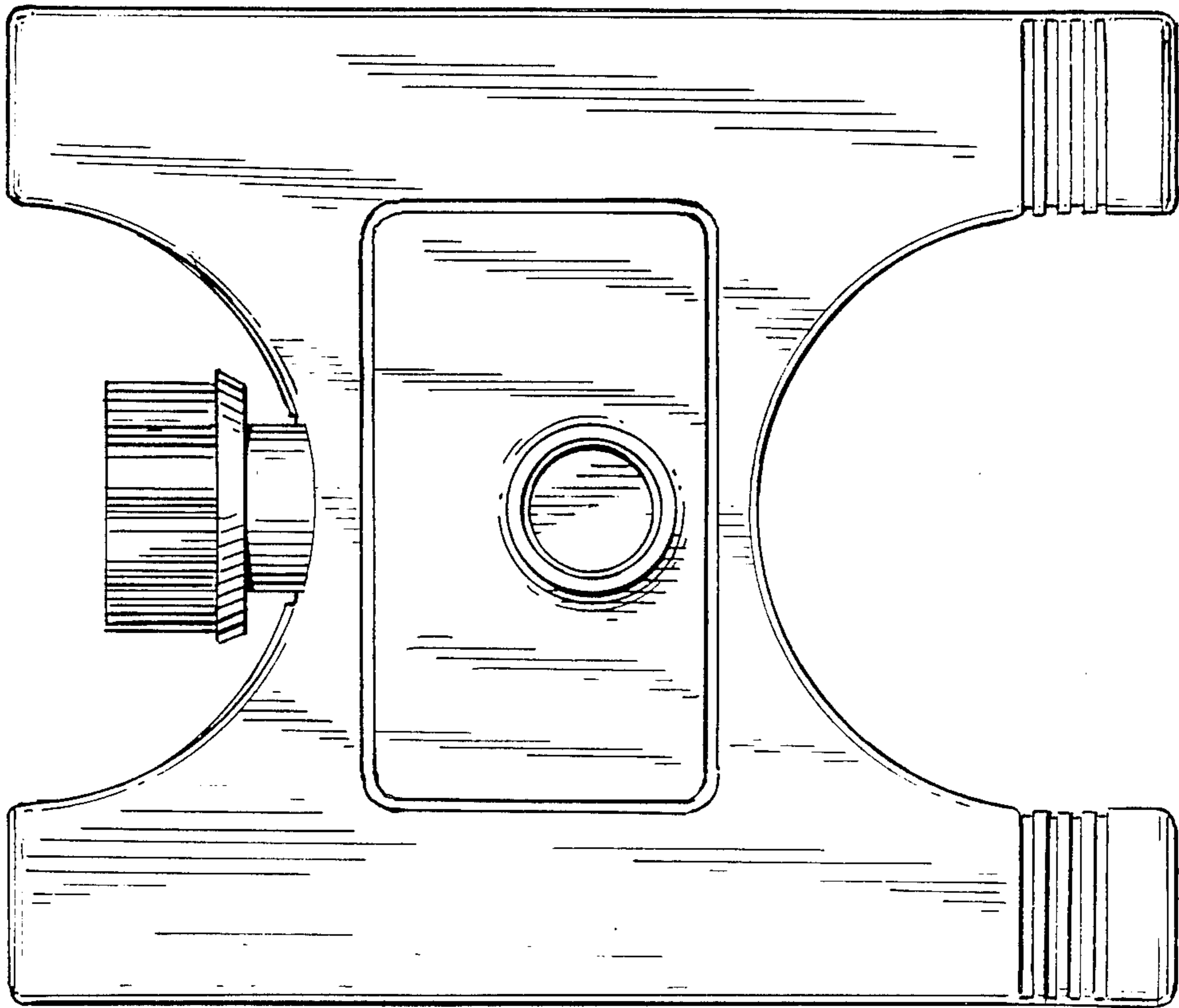


Fig. 4.

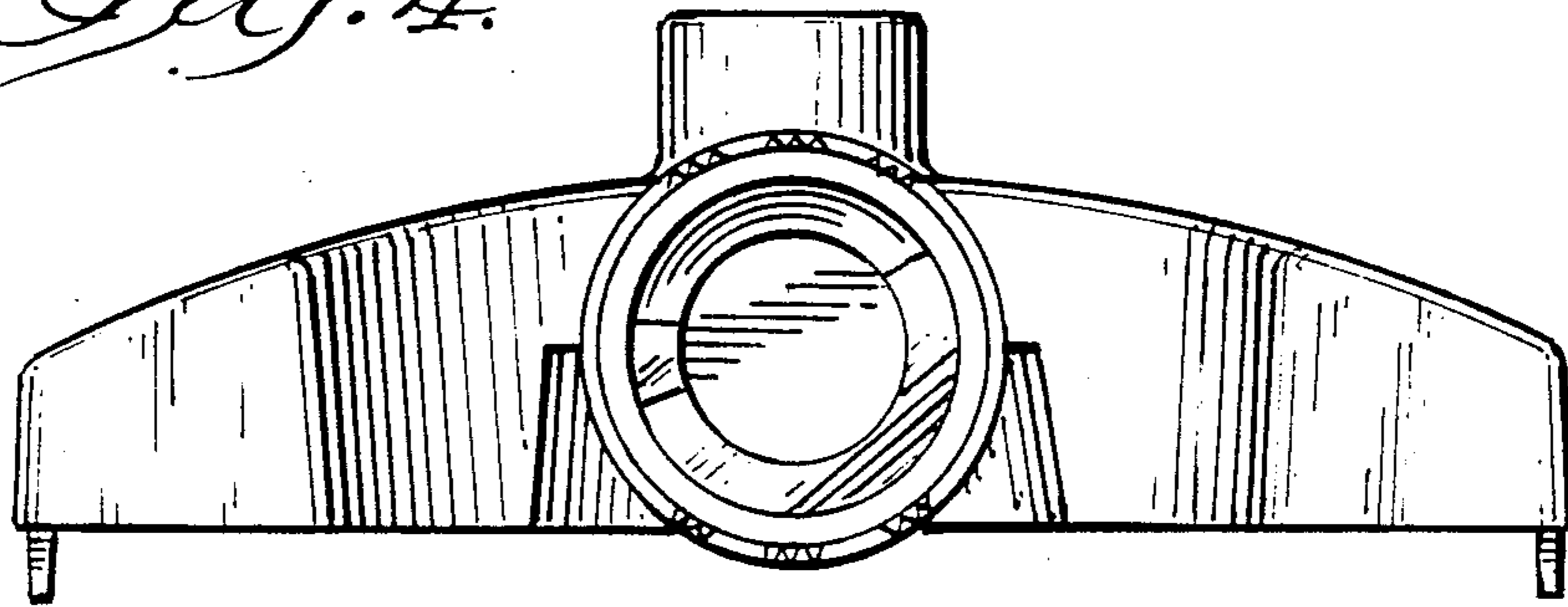


Fig. 5.

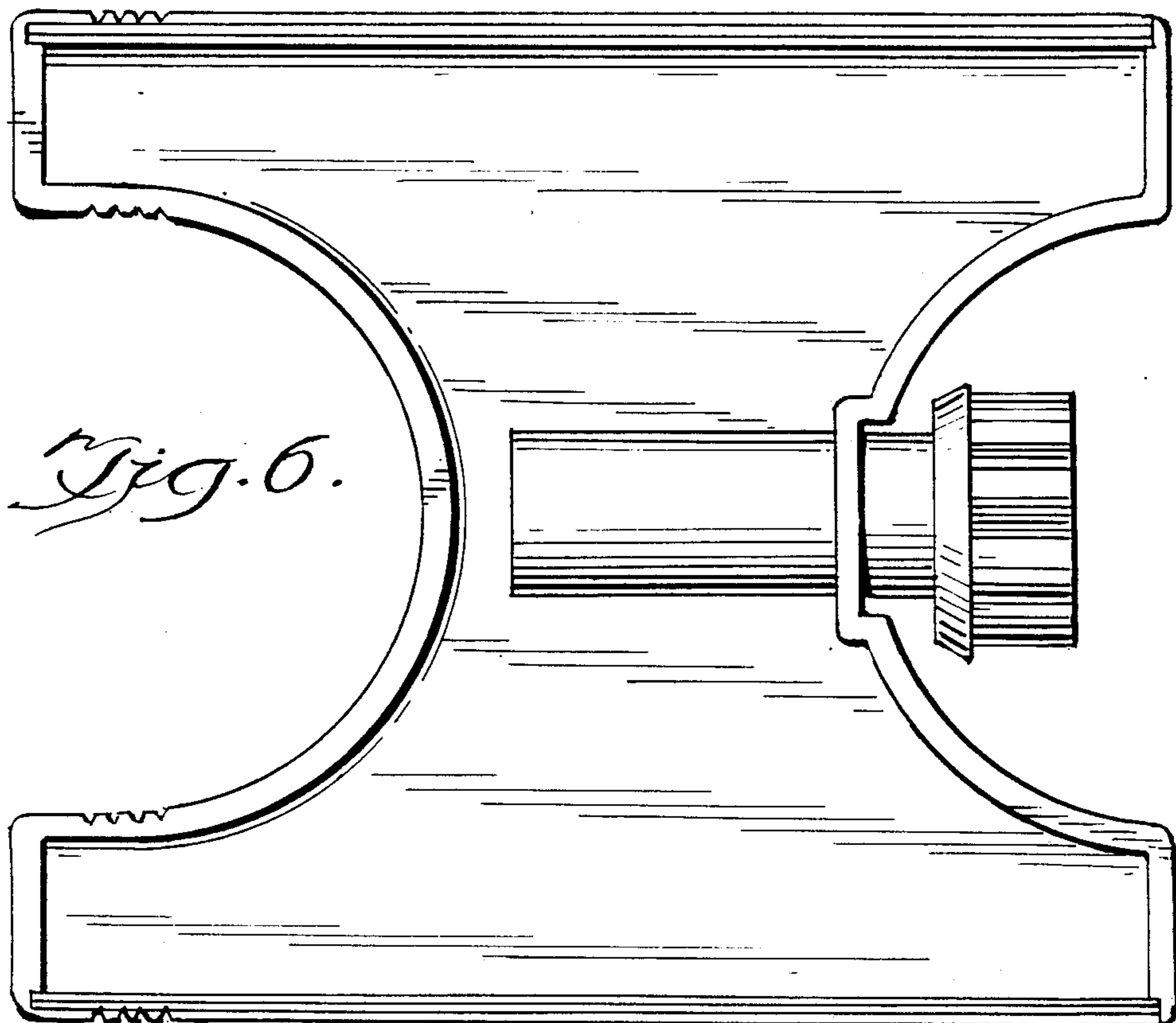
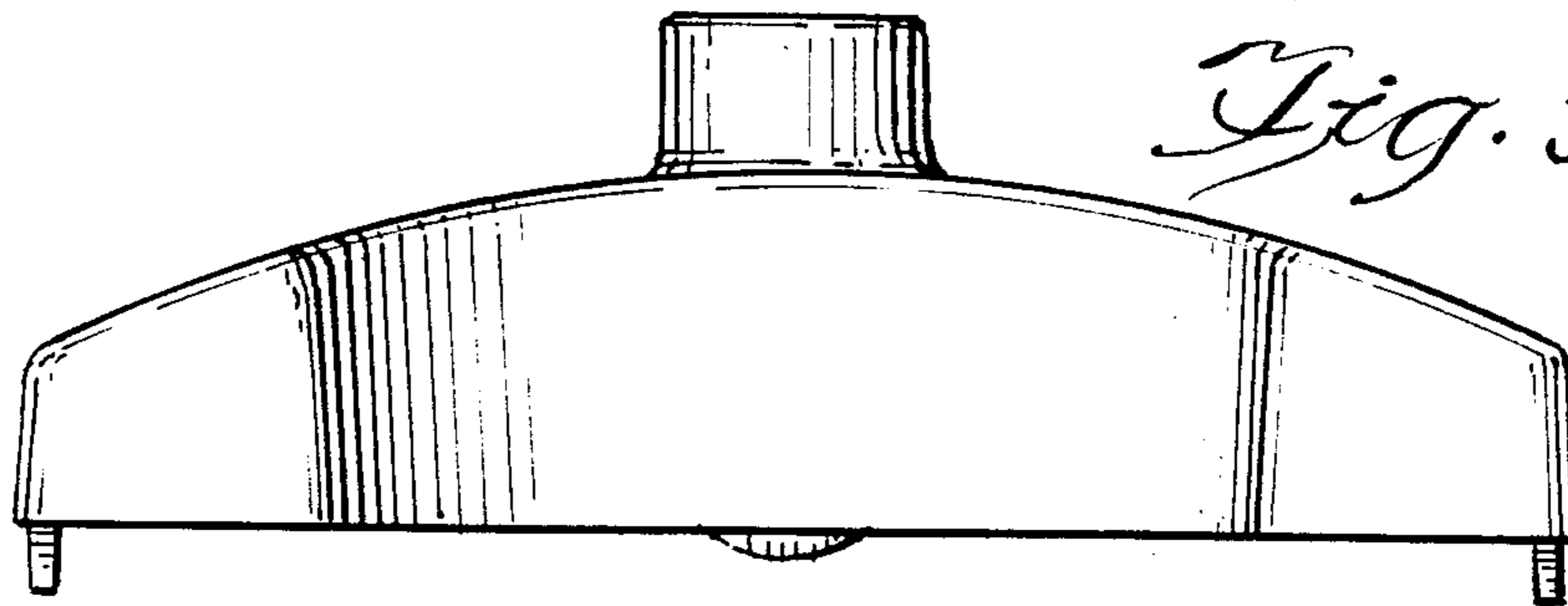


Fig. 6.