

[54] FLOAT

[76] Inventor: L. Darrell Reed, 7652 Muirfield Ct., Indianapolis, Ind. 46227

[**] Term: 14 Years

[21] Appl. No.: 822,541

[22] Filed: Jan. 27, 1986

[52] U.S. Cl. D21/237; D12/316

[58] Field of Search D12/316; D21/236, 237; 441/88, 65, 66, 129; 114/348, 345

[56] References Cited

U.S. PATENT DOCUMENTS

D. 263,981	4/1982	Maddon	D21/237
D. 279,668	7/1985	Larsson	D12/316
3,432,182	3/1969	Solipasso	441/129
3,679,025	7/1972	Rummel	441/129
3,835,482	9/1974	Tersch	441/129
4,347,635	9/1982	Eisenhauer	441/88
4,406,628	9/1983	Rademacher	441/129

OTHER PUBLICATIONS

Fao Schwarz, Sprg/Summer 1974, P. A., ©Mermaid Chair Lounge.

Primary Examiner—James M. Gandy

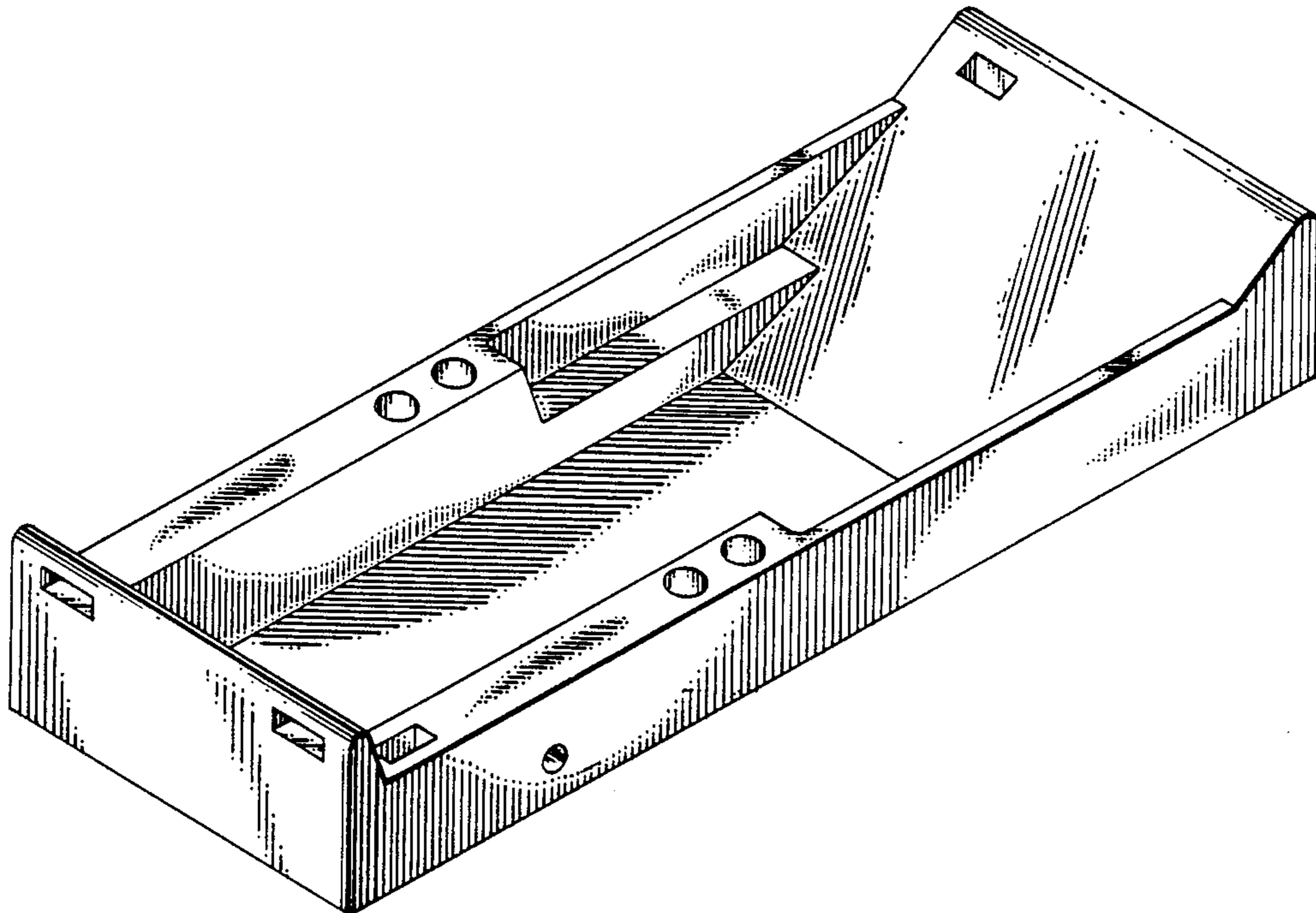
Assistant Examiner—Kay H. Chin
Attorney, Agent, or Firm—Robert A. Spray

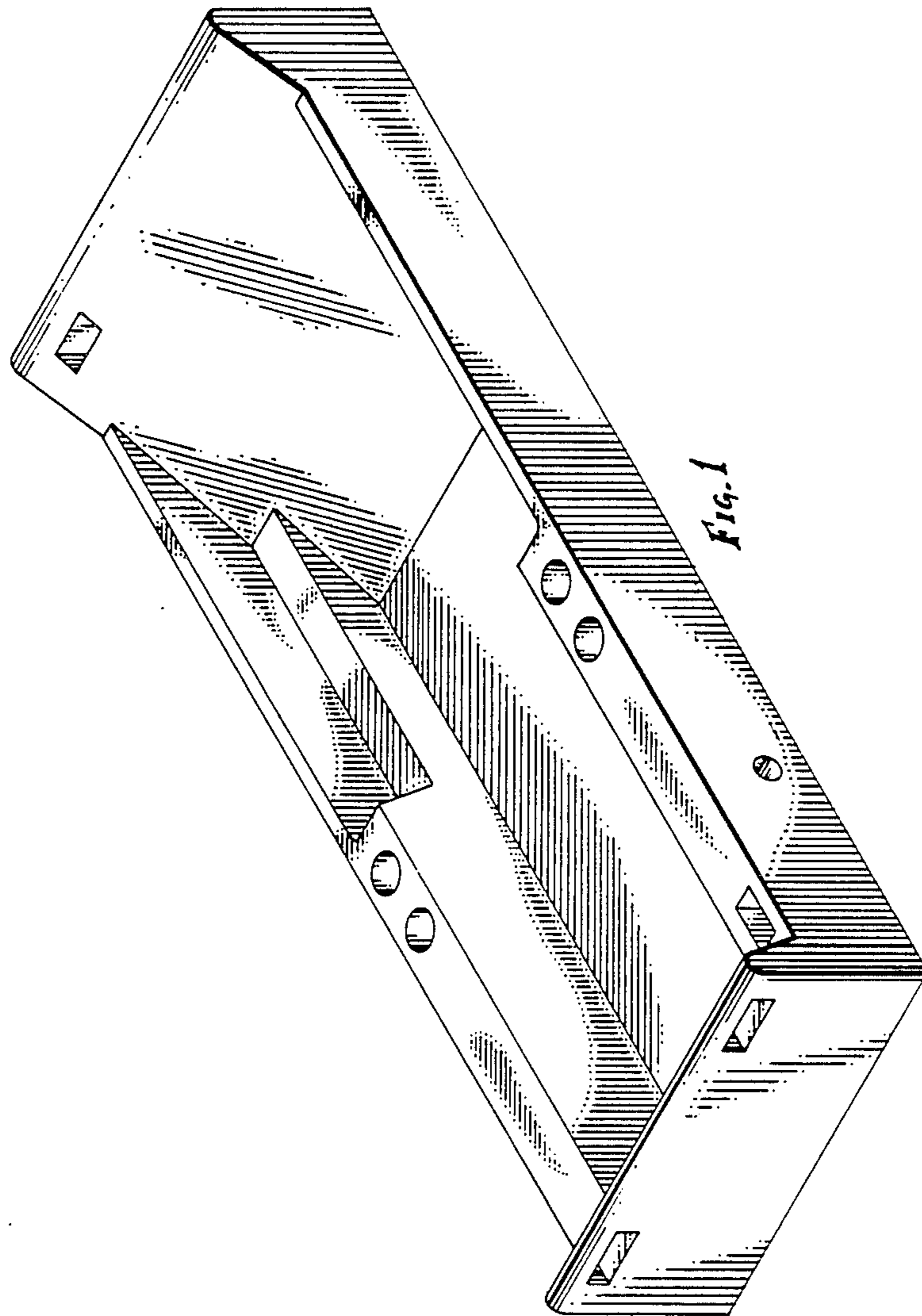
[57] CLAIM

The ornamental design for a float, as shown and described.

DESCRIPTION

FIG. 1 is a perspective view of a float, showing my new design;
 FIG. 2 is a reduced top plan view thereof;
 FIG. 3 is a reduced left side elevational view thereof;
 FIG. 4 is a reduced front elevational view thereof;
 FIG. 5 is a reduced rear elevational view thereof;
 FIG. 6 is a reduced right side elevational view thereof;
 FIG. 7 is a reduced bottom plan view thereof;
 FIG. 8 is a perspective view of a float showing a second embodiment, the sole difference from the first embodiment being in the mattress pad attached to the inside bottom surface thereof;
 FIG. 9 is a reduced top plan view of FIG. 8;
 FIG. 10 is a reduced left side elevational view of FIG. 8;
 FIG. 11 is a reduced front elevational view of FIG. 8;
 FIG. 12 is a reduced rear elevational view of FIG. 8;
 FIG. 13 is a reduced right side elevational view of FIG. 8;
 FIG. 14 is a reduced bottom plan view of FIG. 8;





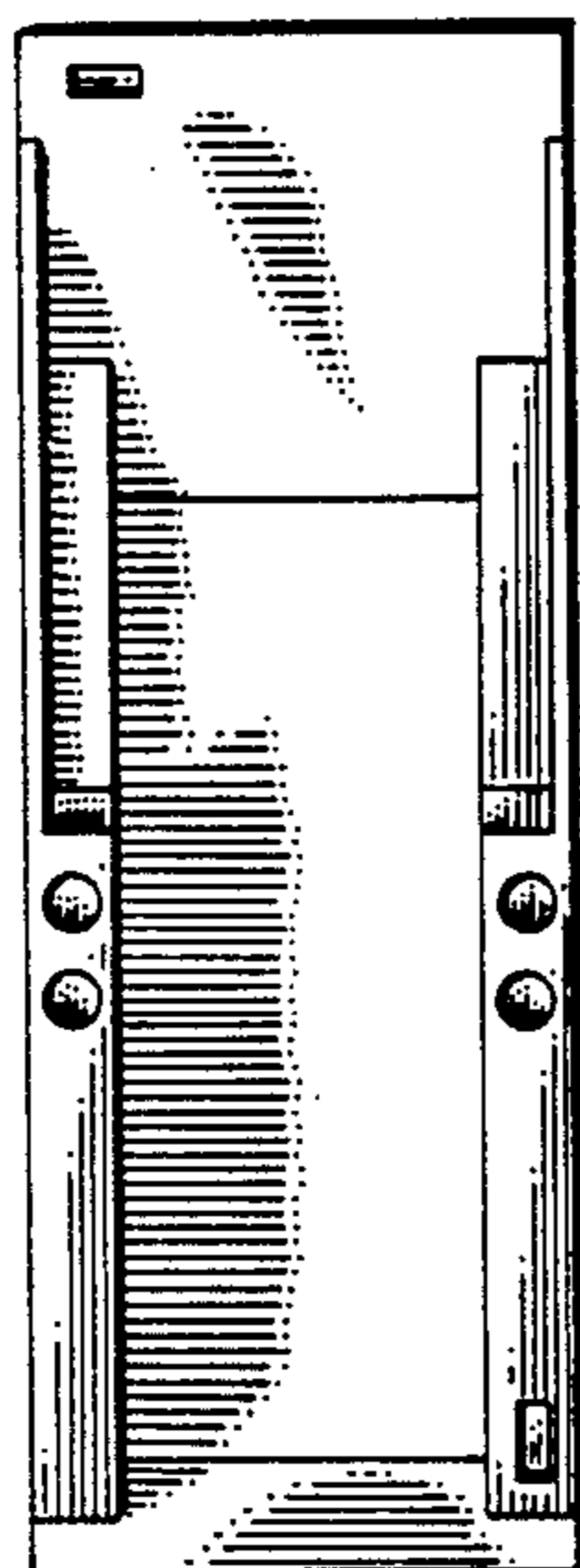


Fig. 2

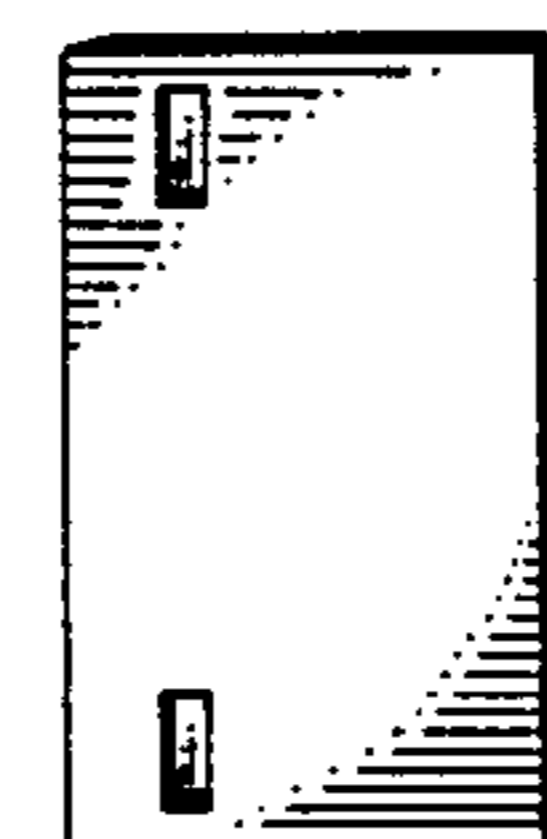


Fig. 4



Fig. 3

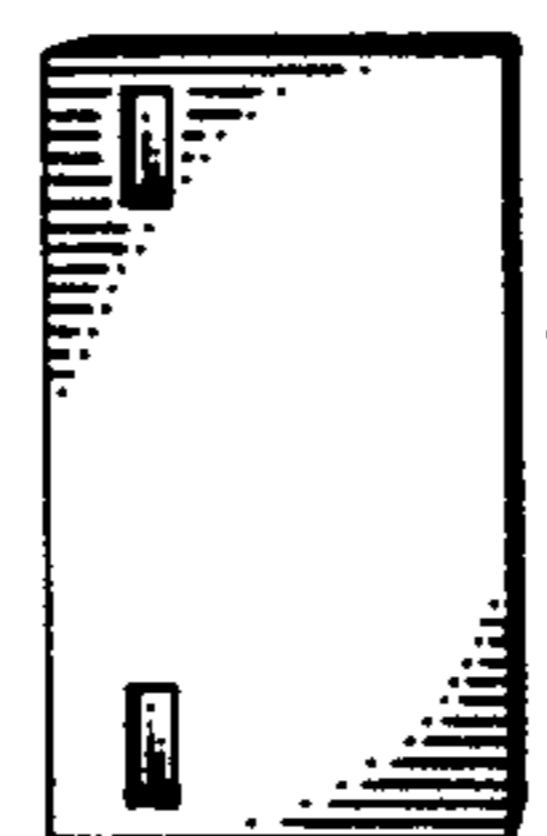


Fig. 5

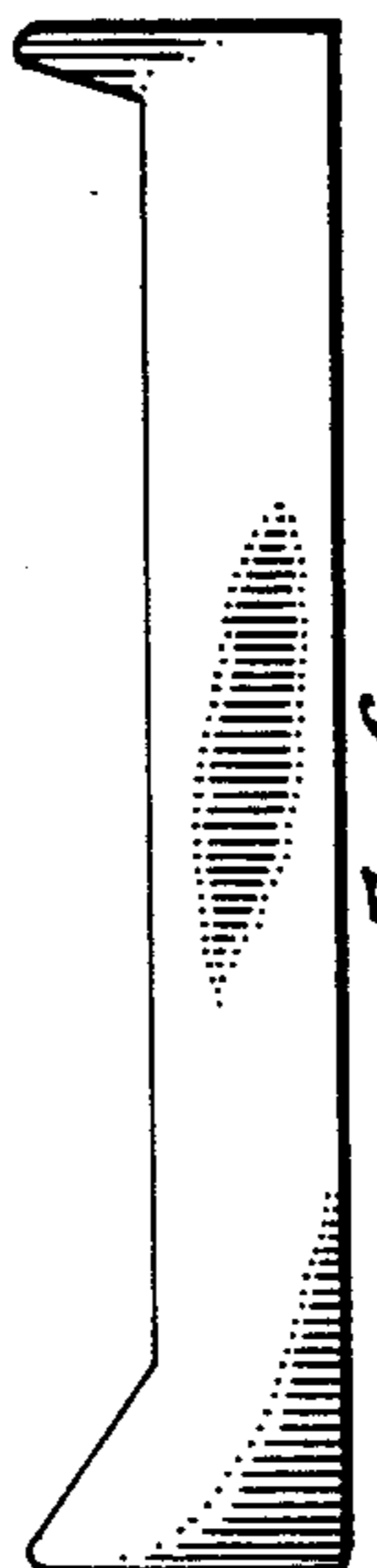


Fig. 6

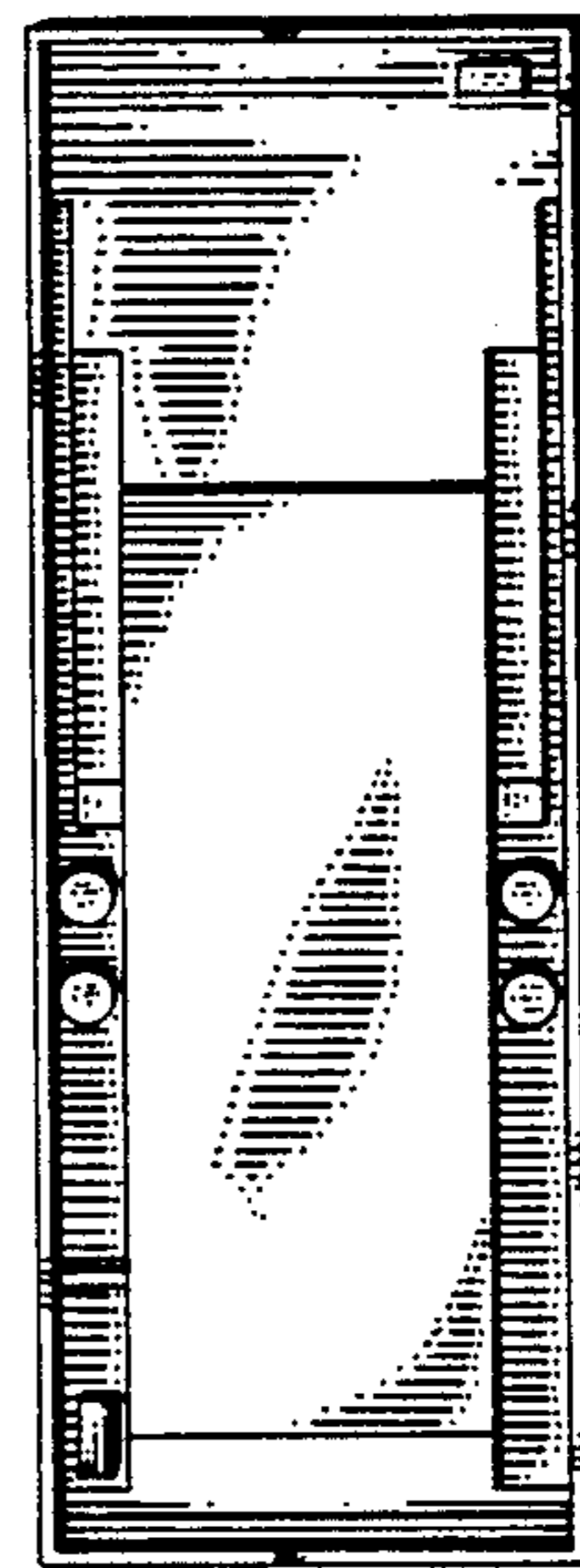
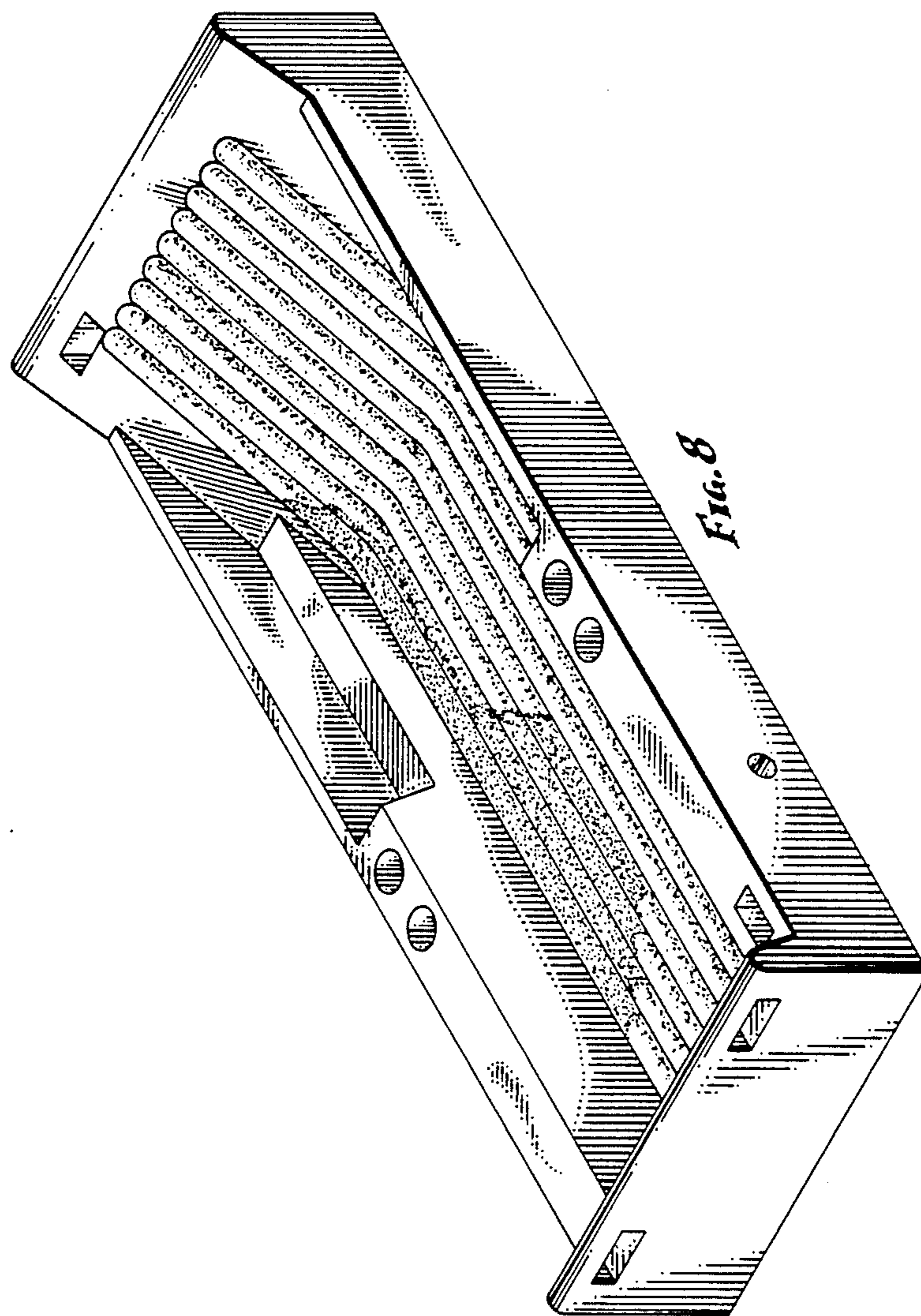


Fig. 7



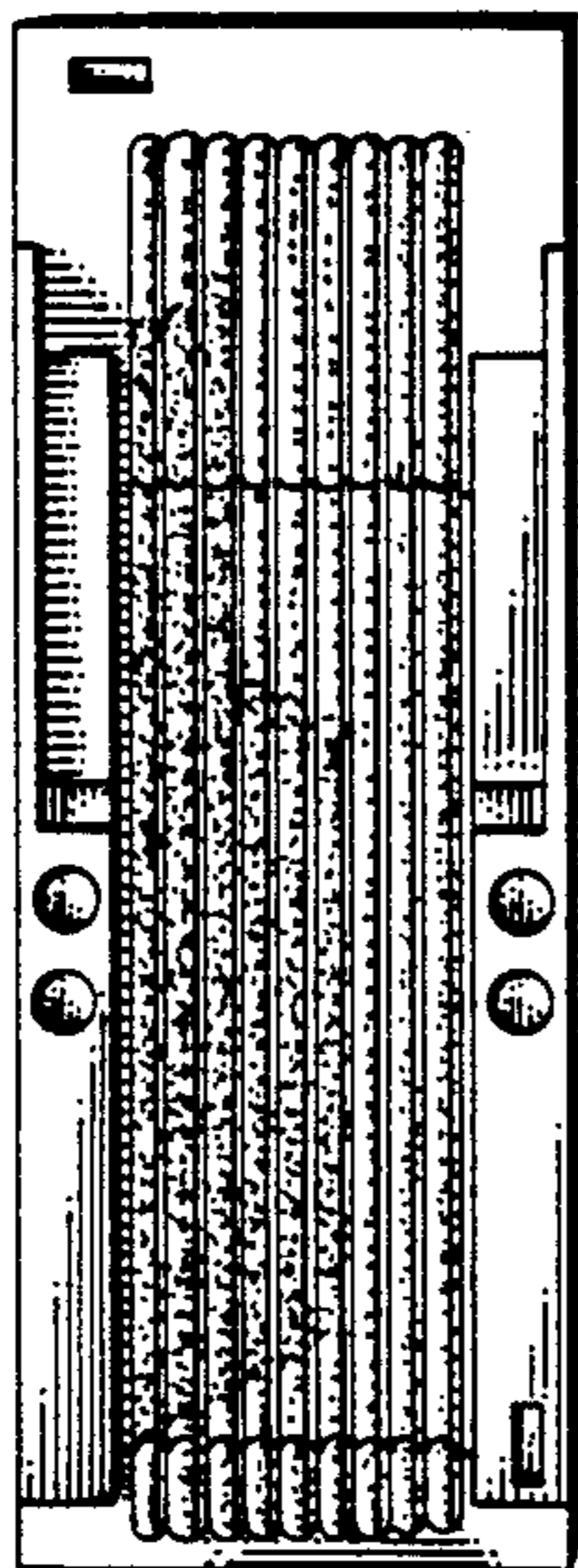


FIG. 9

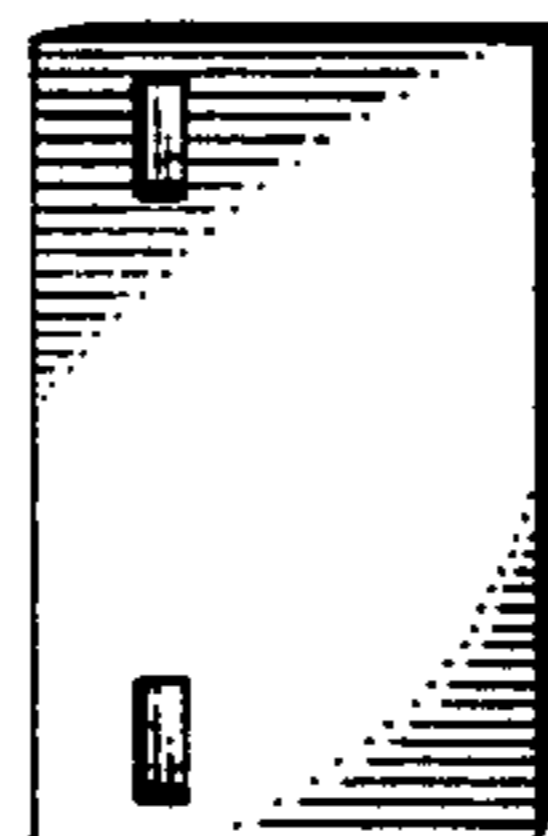


FIG. 11



FIG. 10

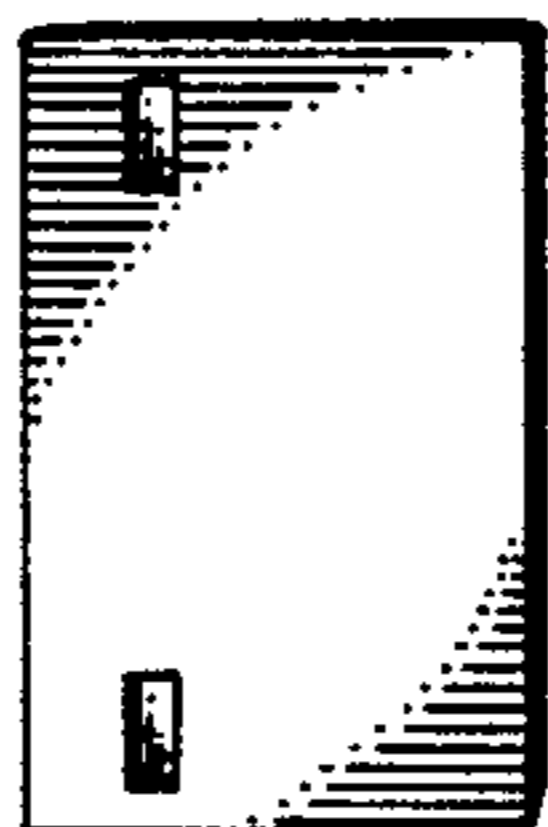


FIG. 12

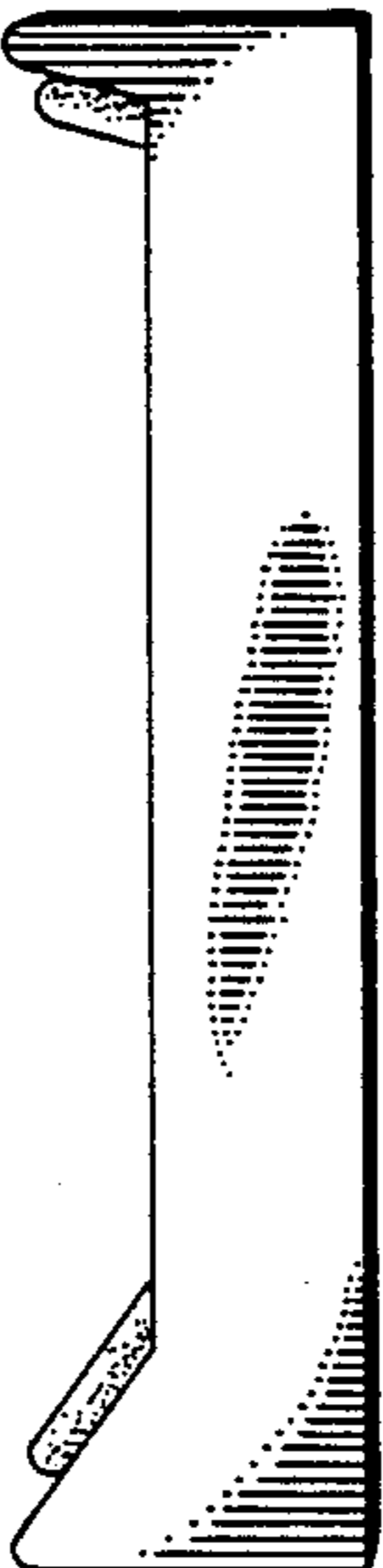


FIG. 13

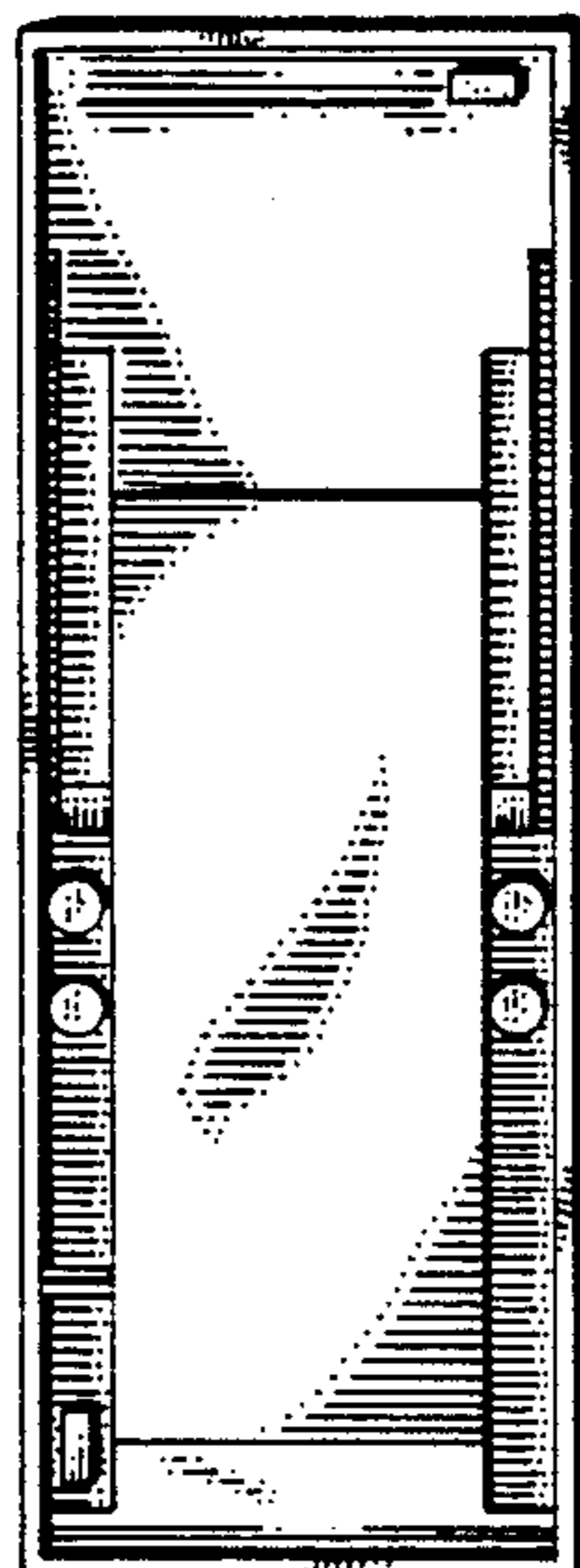


FIG. 14