

[54] GOLF CLUB HEAD

[76] Inventor: Sonnie J. Perkins, 1214 169th Ave., NE., Bellevue, Wash. 98008

[**] Term: 14 Years

[21] Appl. No.: 740,862

[22] Filed: Jun. 3, 1985

[52] U.S. Cl. D21/220

[58] Field of Search D21/214-220; 273/167-175, 164

[56] References Cited

U.S. PATENT DOCUMENTS

- D. 137,814 5/1944 Newsome D21/220
- D. 228,355 9/1973 Penna D21/220
- D. 272,257 1/1984 Perkins .
- 4,000,902 1/1977 Perkins .
- 4,231,576 11/1980 Perkins .

- 4,456,257 6/1984 Perkins .
- 4,512,577 4/1985 Solheim 273/167 A

Primary Examiner—Melvin B. Feifer
Attorney, Agent, or Firm—William W. Haefliger

[57] CLAIM

The ornamental design for a golf club head, substantially as shown and described.

DESCRIPTION

FIG. 1 is a rear elevational view of golf club head showing my new design;
 FIG. 2 is a front elevational view of the FIG. 1 head;
 FIG. 3 is a bottom plan view on lines 3—3 of FIG. 1;
 FIG. 4 is a top plan view on lines 4—4 of FIG. 1;
 FIG. 5 is a left end view on lines 5—5 of FIG. 2 and FIG. 2 head;
 FIG. 6 is a right end view on lines 6—6 of FIG. 2, and 2 head; and
 FIG. 7 is a section on FIG. 1, lines 7—7.

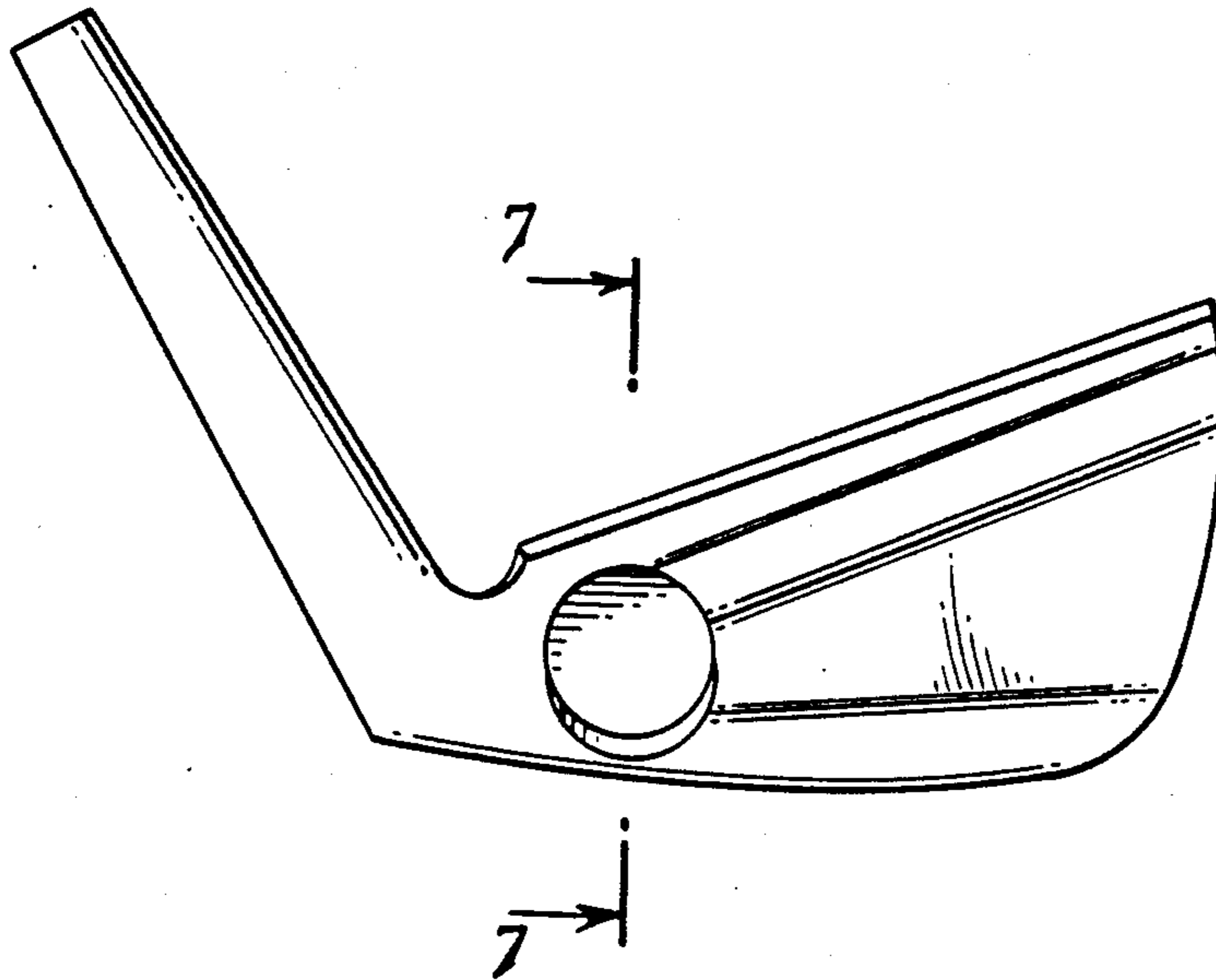


FIG. 1.

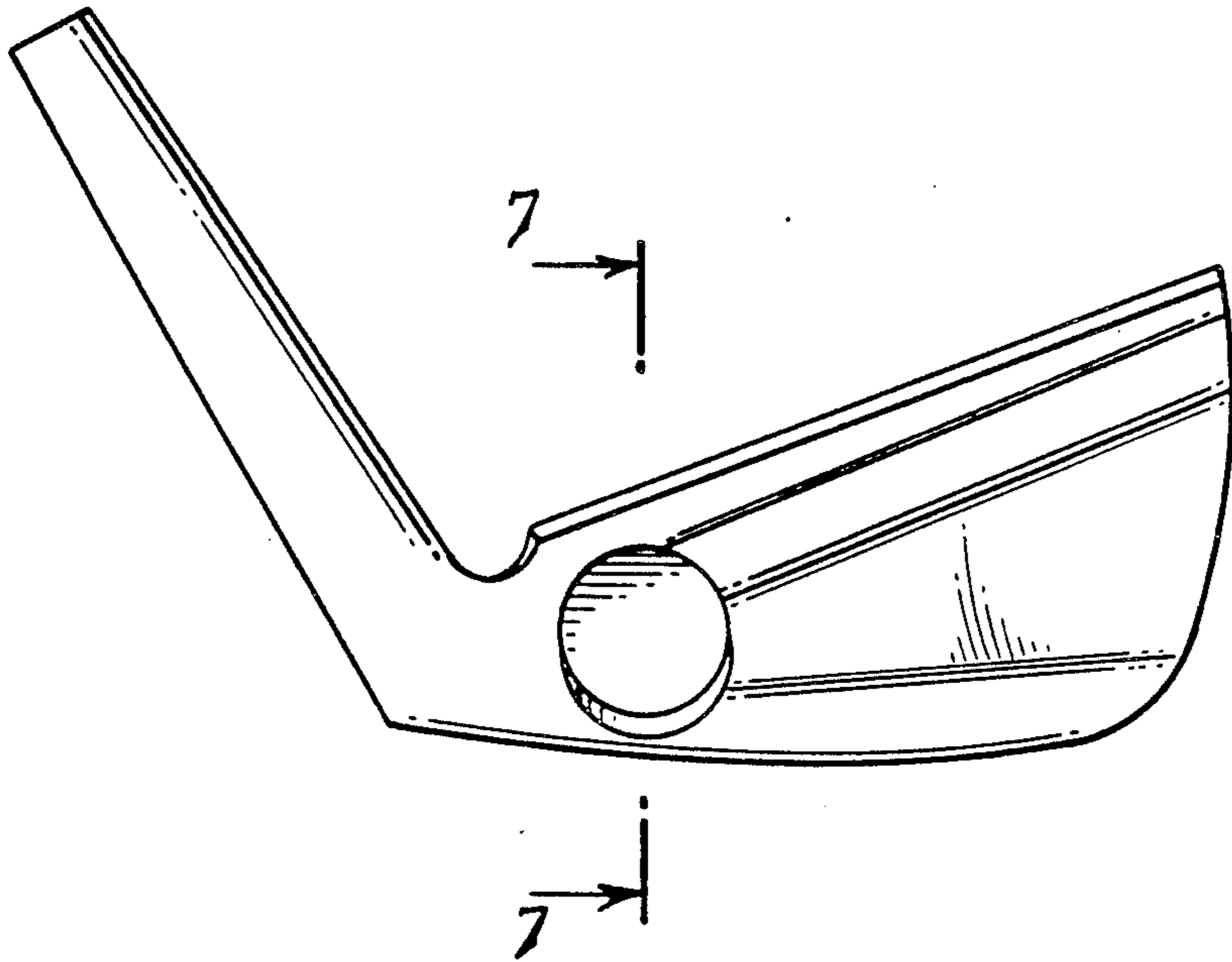


FIG. 2.

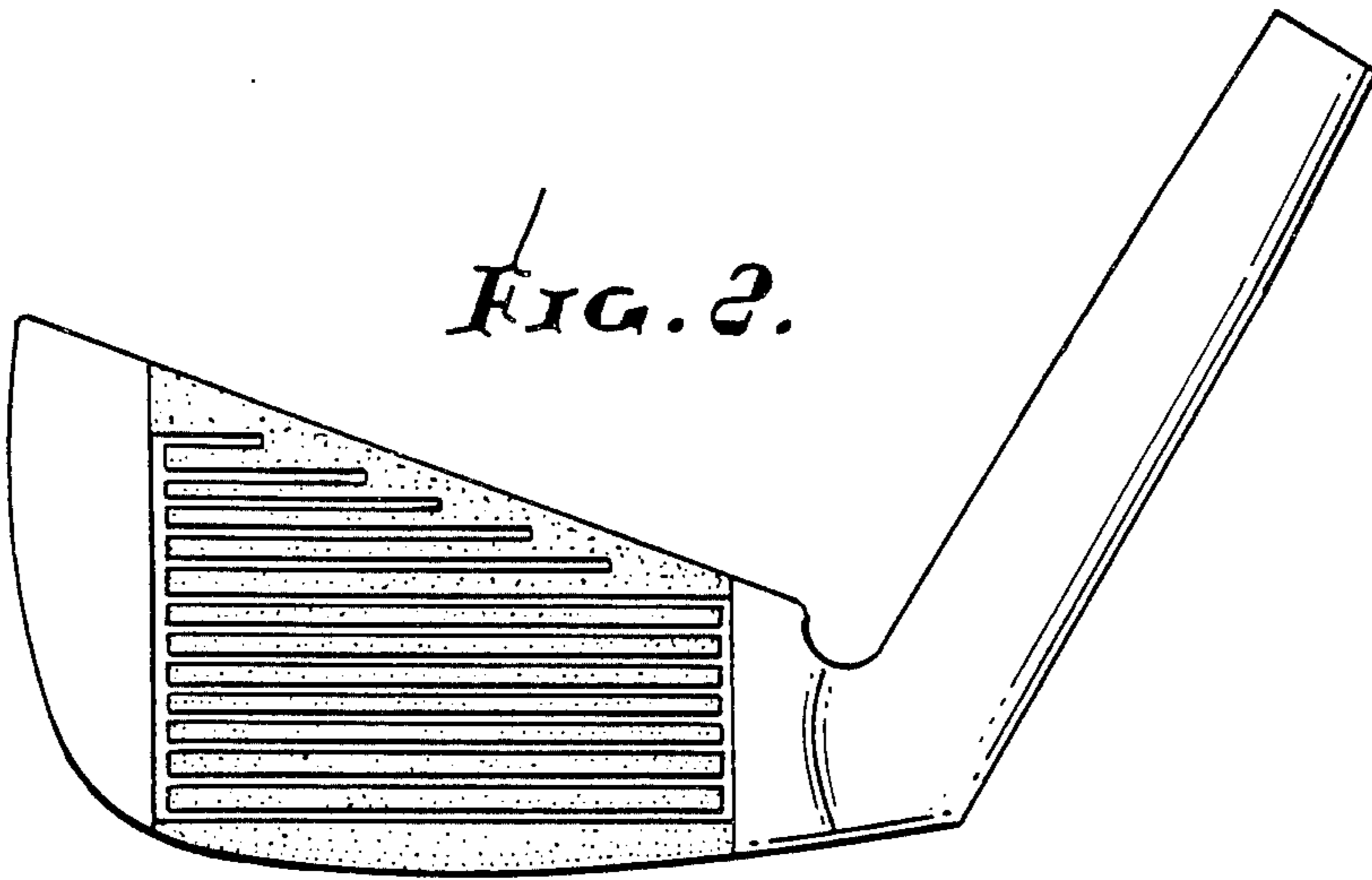


FIG. 3.

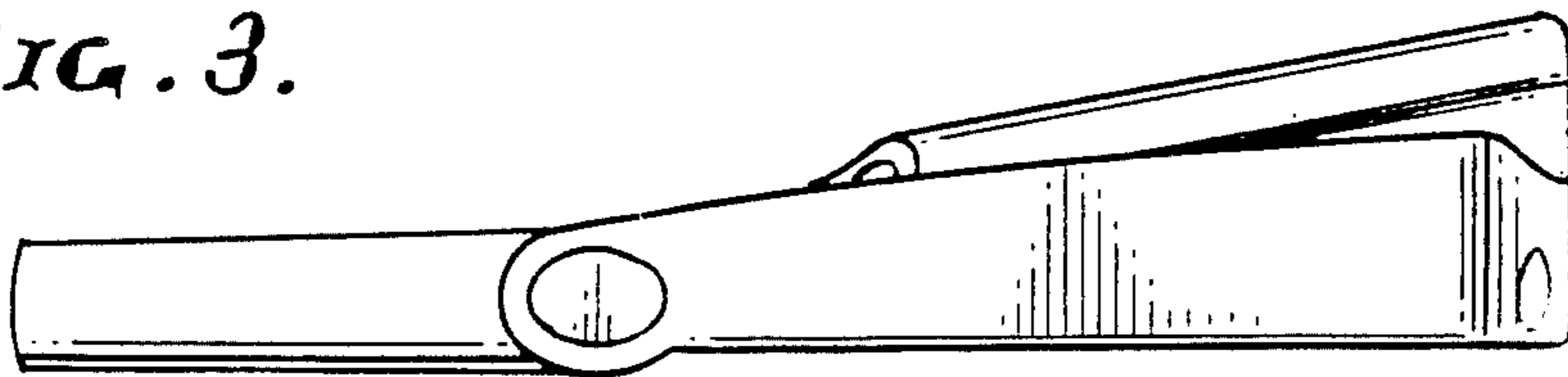


FIG. 4.

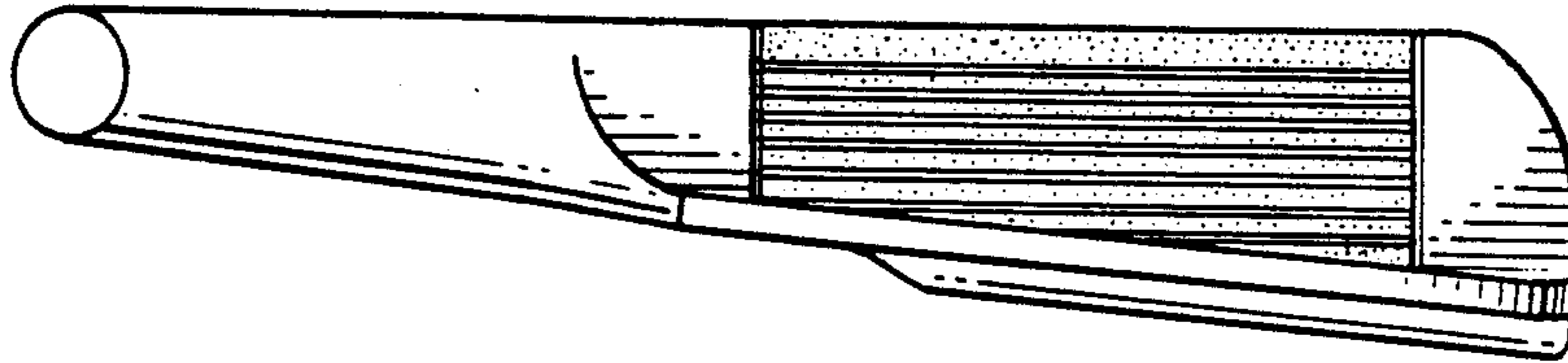


FIG. 5.

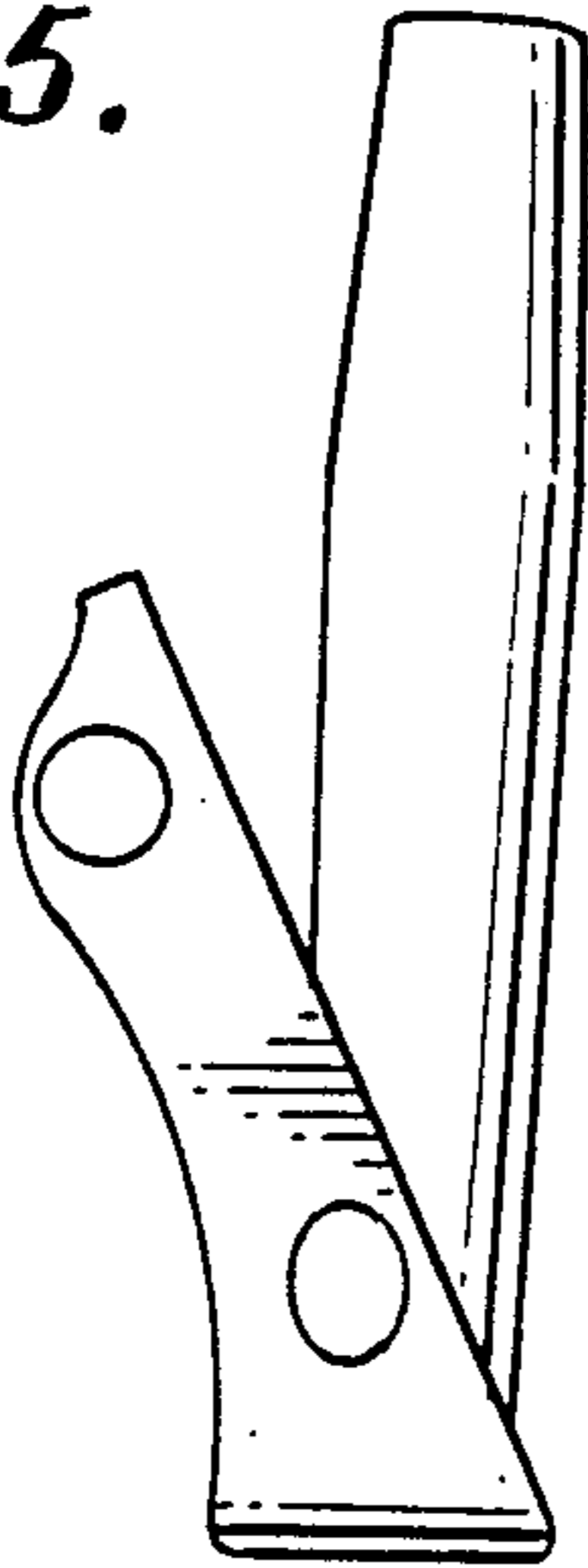


FIG. 6.

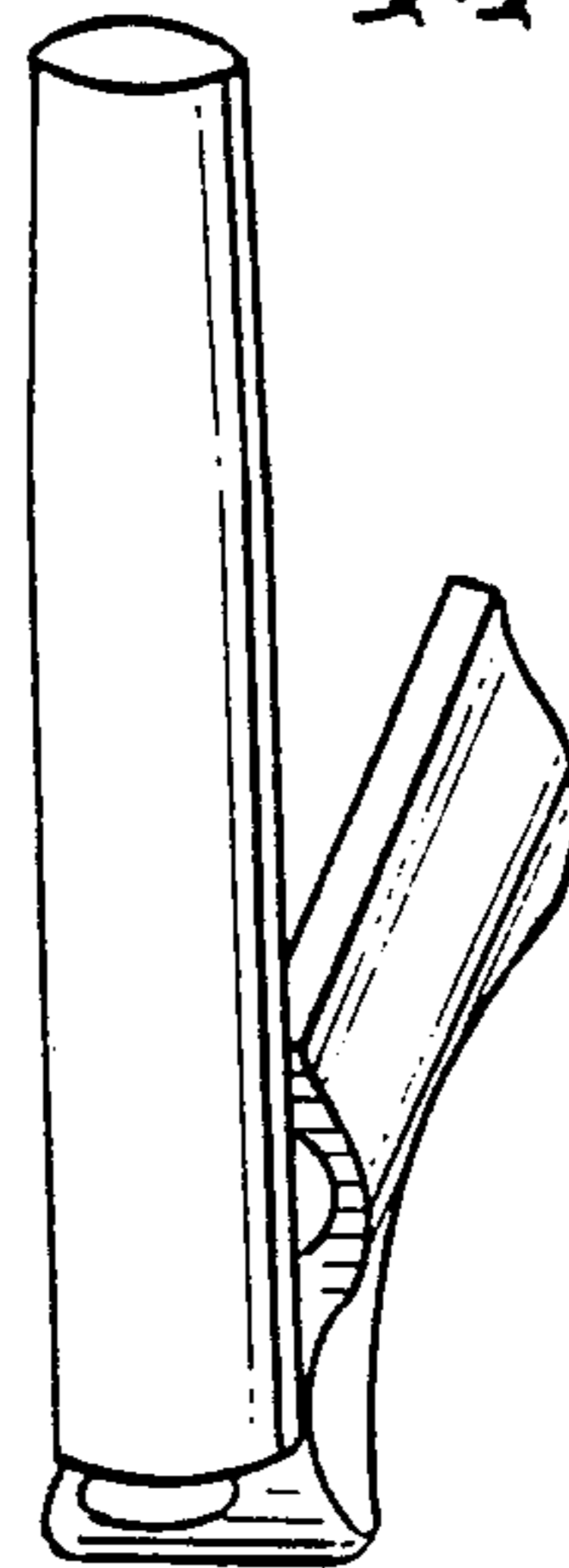


FIG. 7.

