

[54] SIGN HOLDER

[75] Inventor: Daniel M. McCormick, Jacksonville, Fla.

[73] Assignee: Simple Signman Systems, Inc., Jacksonville, Fla.

[\*\*] Term: 14 Years

[21] Appl. No.: 633,287

[22] Filed: Jul. 23, 1984

[52] U.S. Cl. .... D20/43; D8/395

[58] Field of Search ..... D20/43, 44; D8/395; 40/10 R, 11 R

[56] References Cited

U.S. PATENT DOCUMENTS

- D. 233,016 10/1974 Hall ..... D20/43 X
- D. 241,311 9/1976 McLintock et al. .... D20/43
- D. 241,312 9/1976 McLintock et al. .... D20/43
- D. 241,313 9/1976 McLintock et al. .... D20/43

Primary Examiner—Catherine E. Kemper  
Attorney, Agent, or Firm—Frijouf, Rust & Pyle

[57] CLAIM

The ornamental design for a sign holder, or the like as shown and described.

DESCRIPTION

FIG. 1 is a front elevation view of a sign holder or the like, showing my new design;

FIG. 2 is a rear elevational view thereof;

FIG. 3 is a right side elevational view, the left side being a mirror image thereof;

FIG. 4 is a sectional view taken along line 4—4 of FIG. 1;

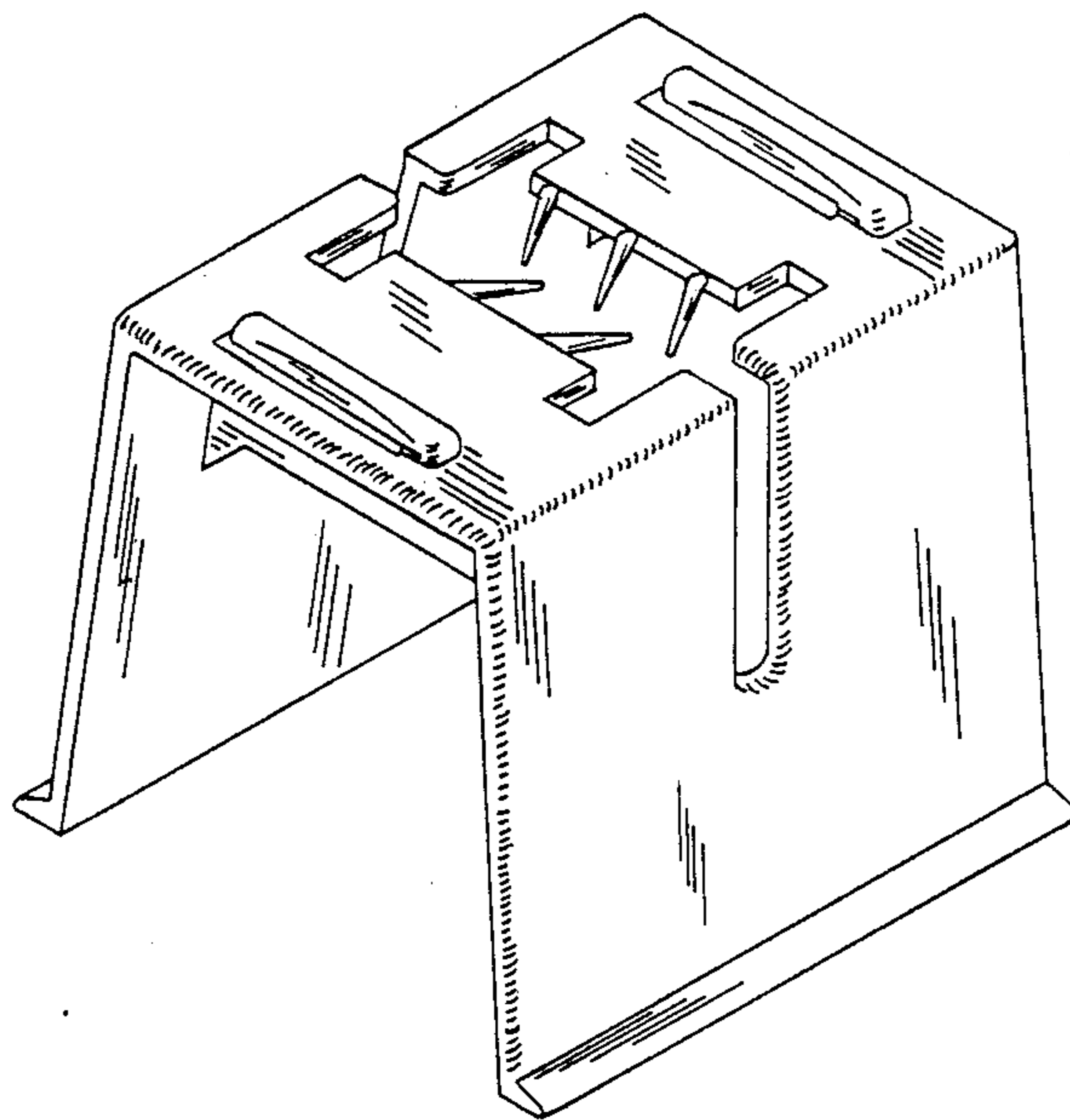
FIG. 5 is a bottom plan view thereof;

FIG. 6 is a top plan view thereof;

FIG. 7 is a sectional view taken along line 7—7 of FIG. 1;

FIG. 8 is a sectional view taken along line 8—8 of FIG. 1;

FIG. 9 is a top perspective view thereof.



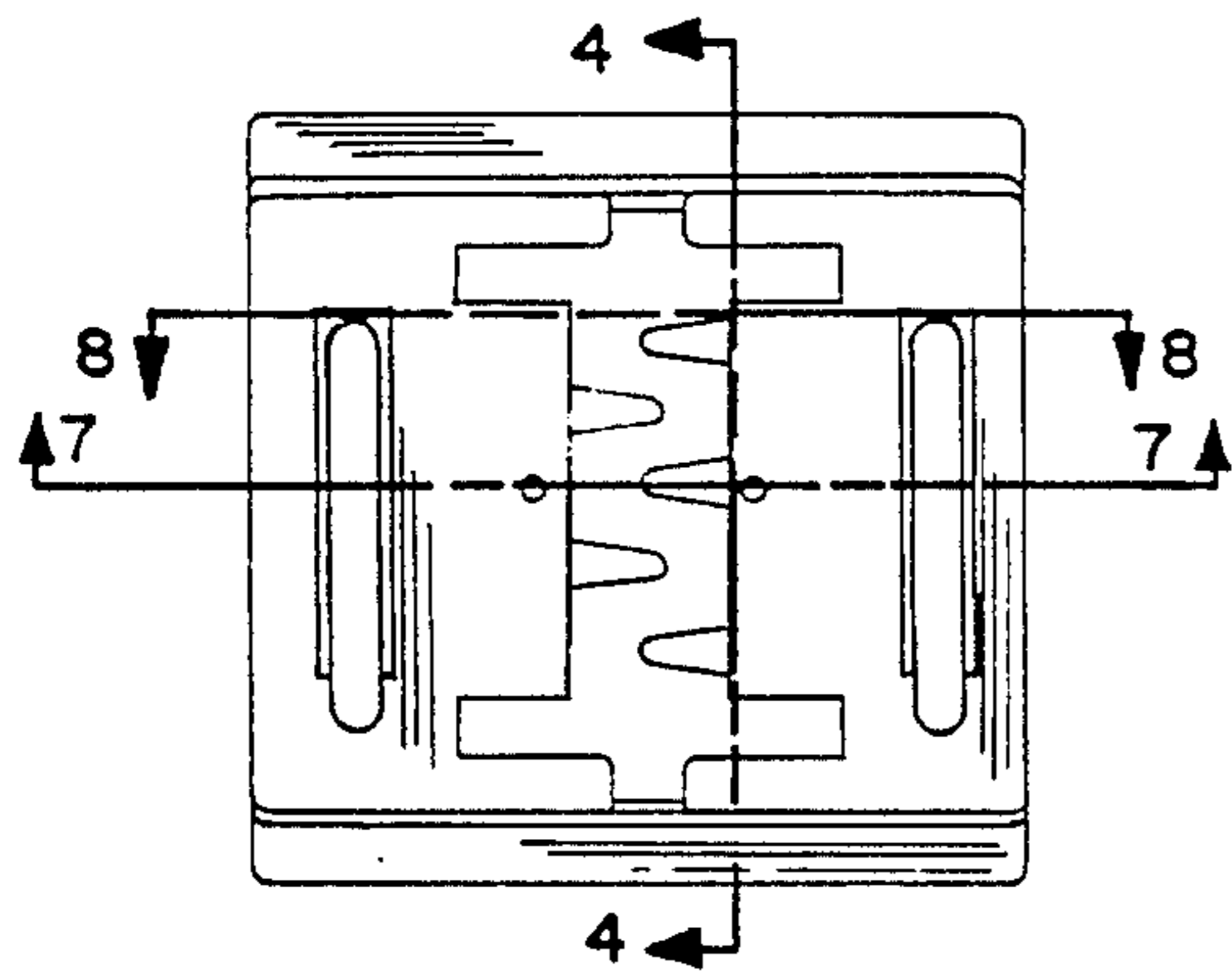


FIG. 1

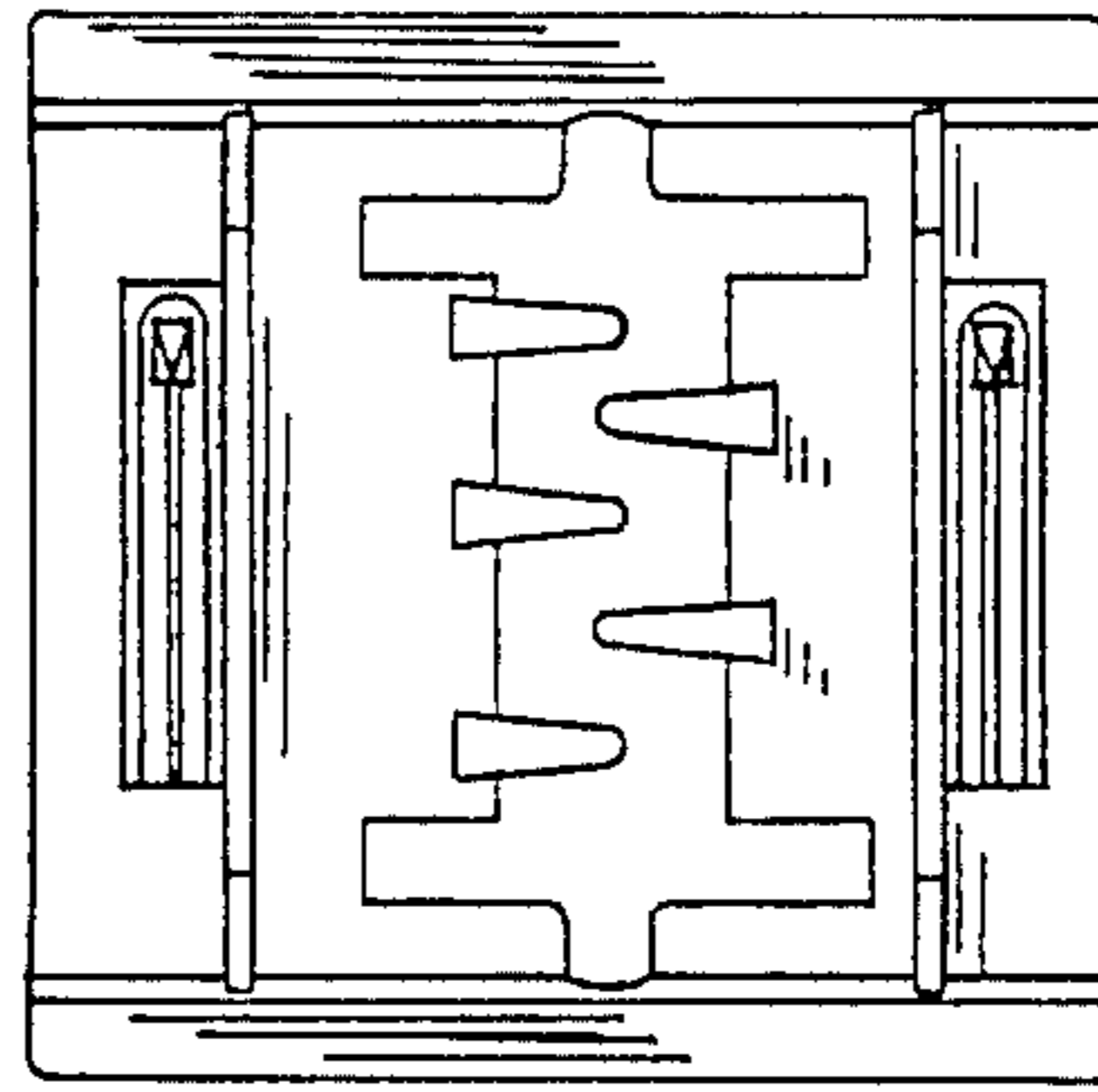


FIG. 2

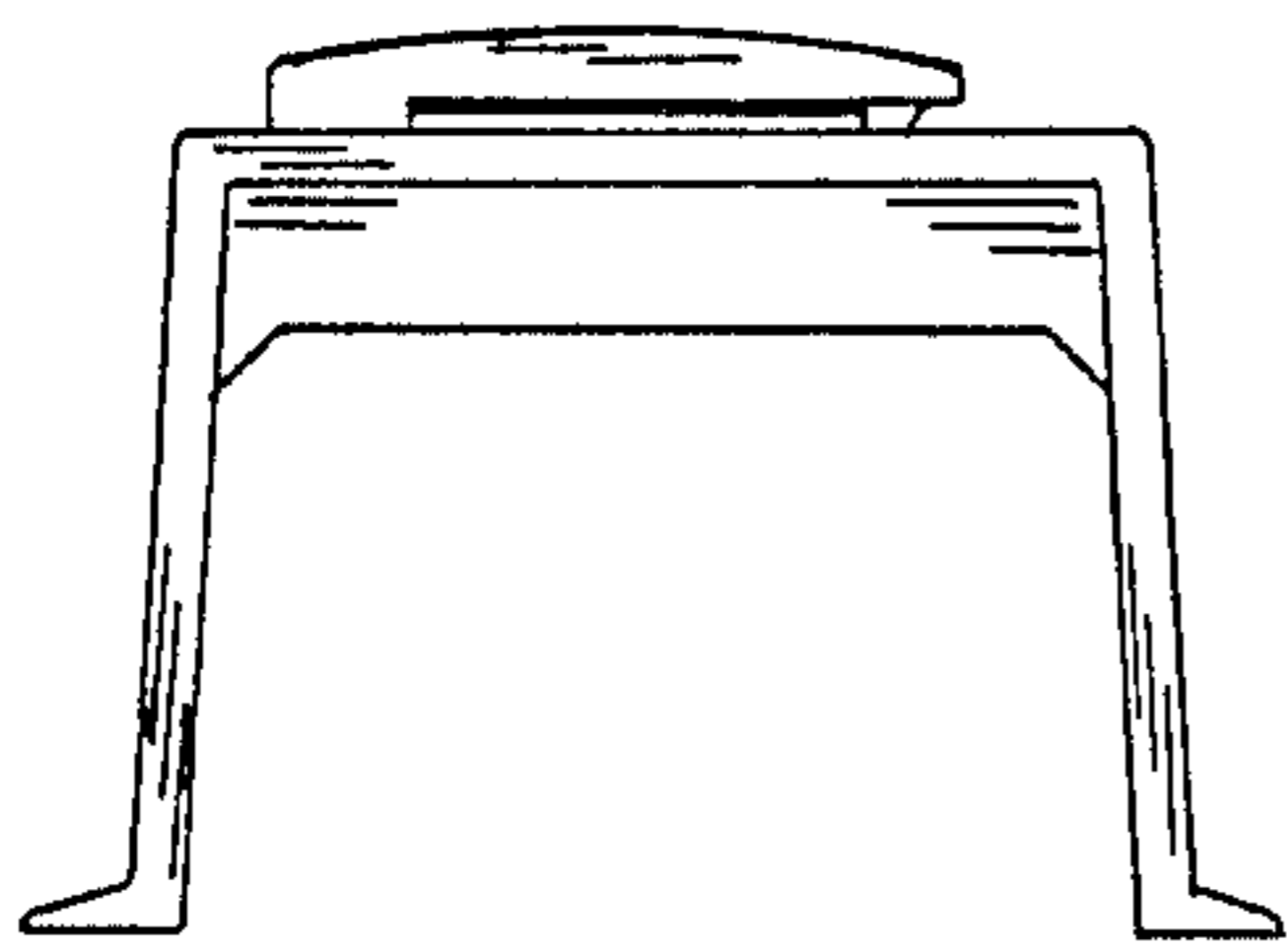


FIG. 3

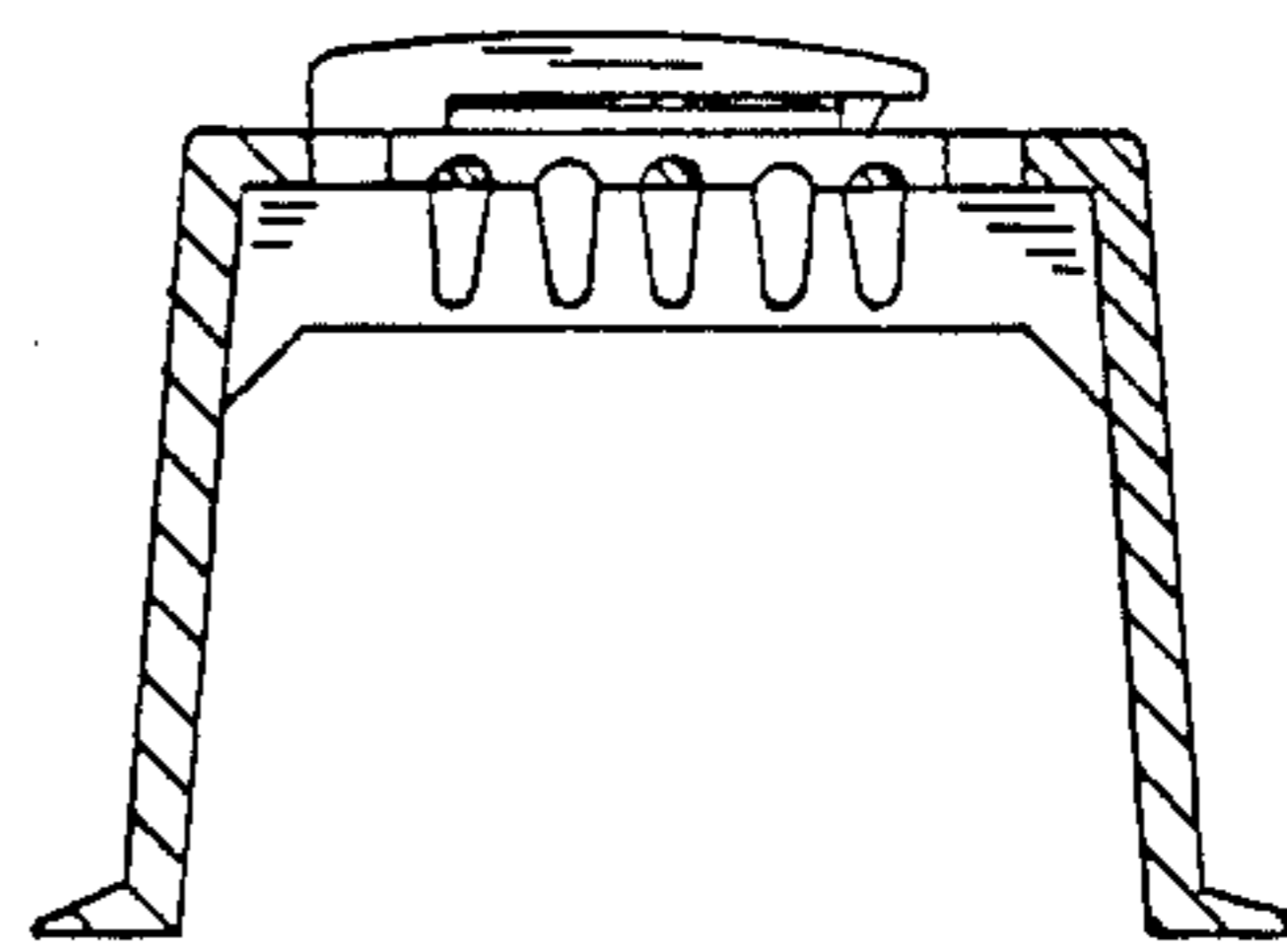


FIG. 4

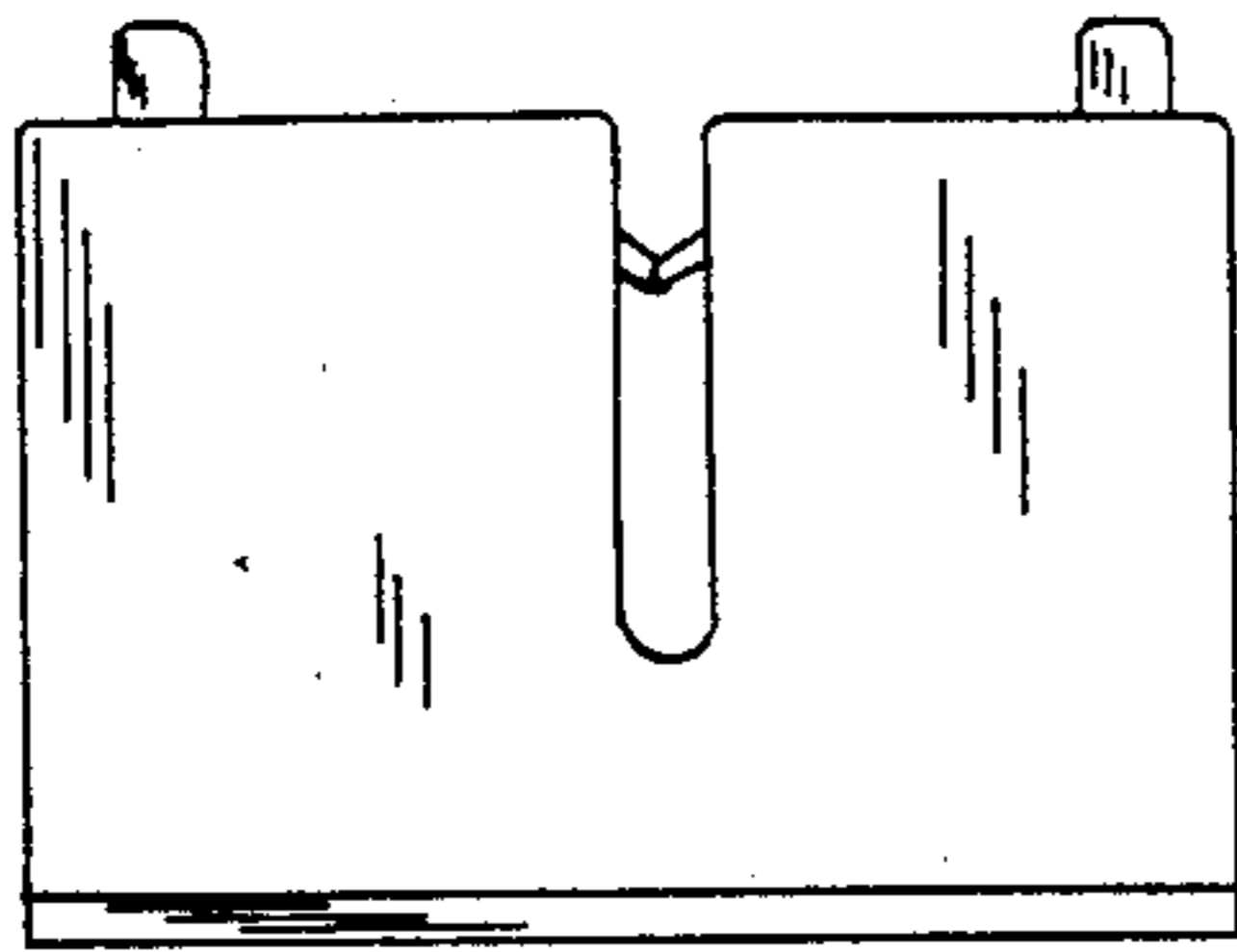


FIG. 5

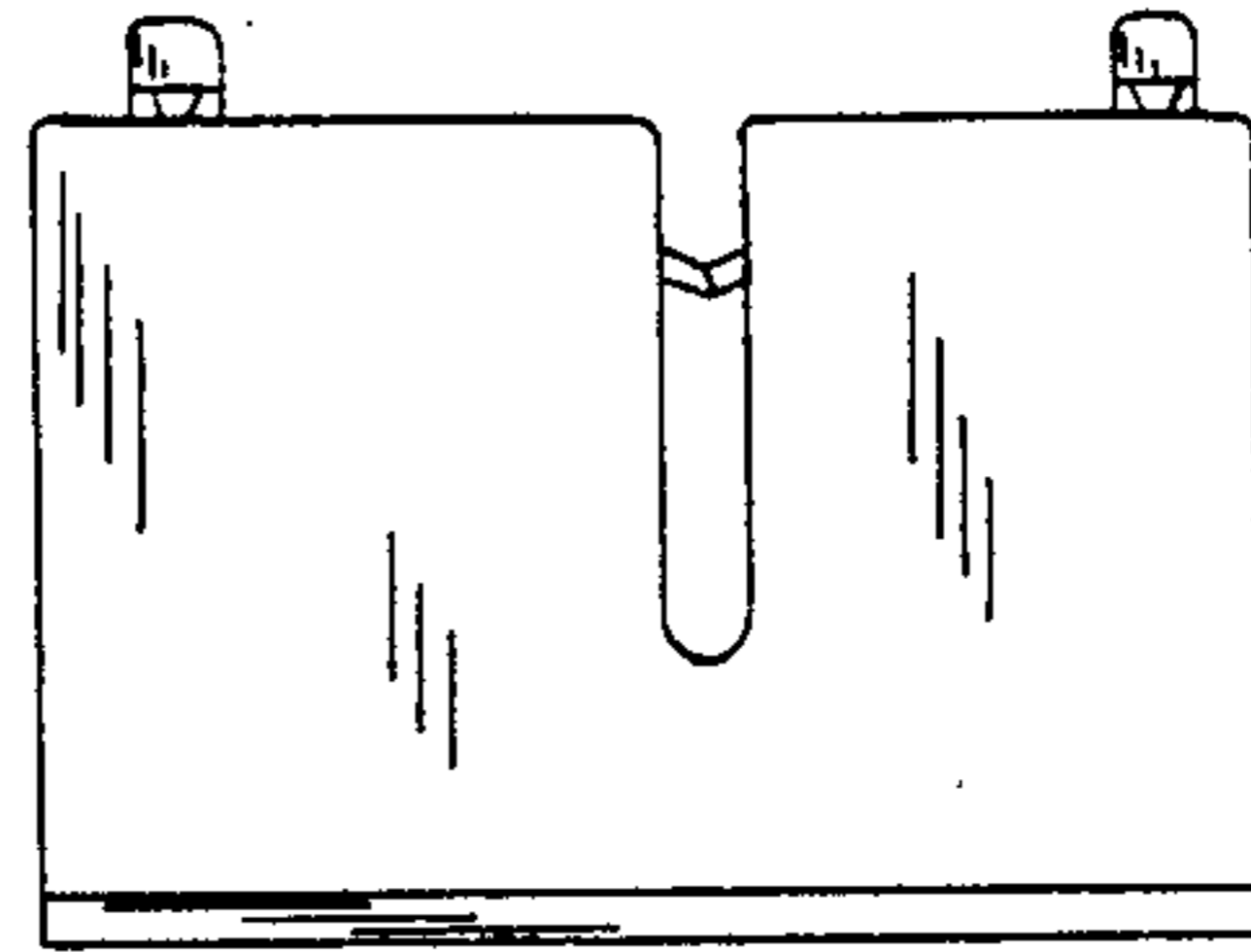


FIG. 6

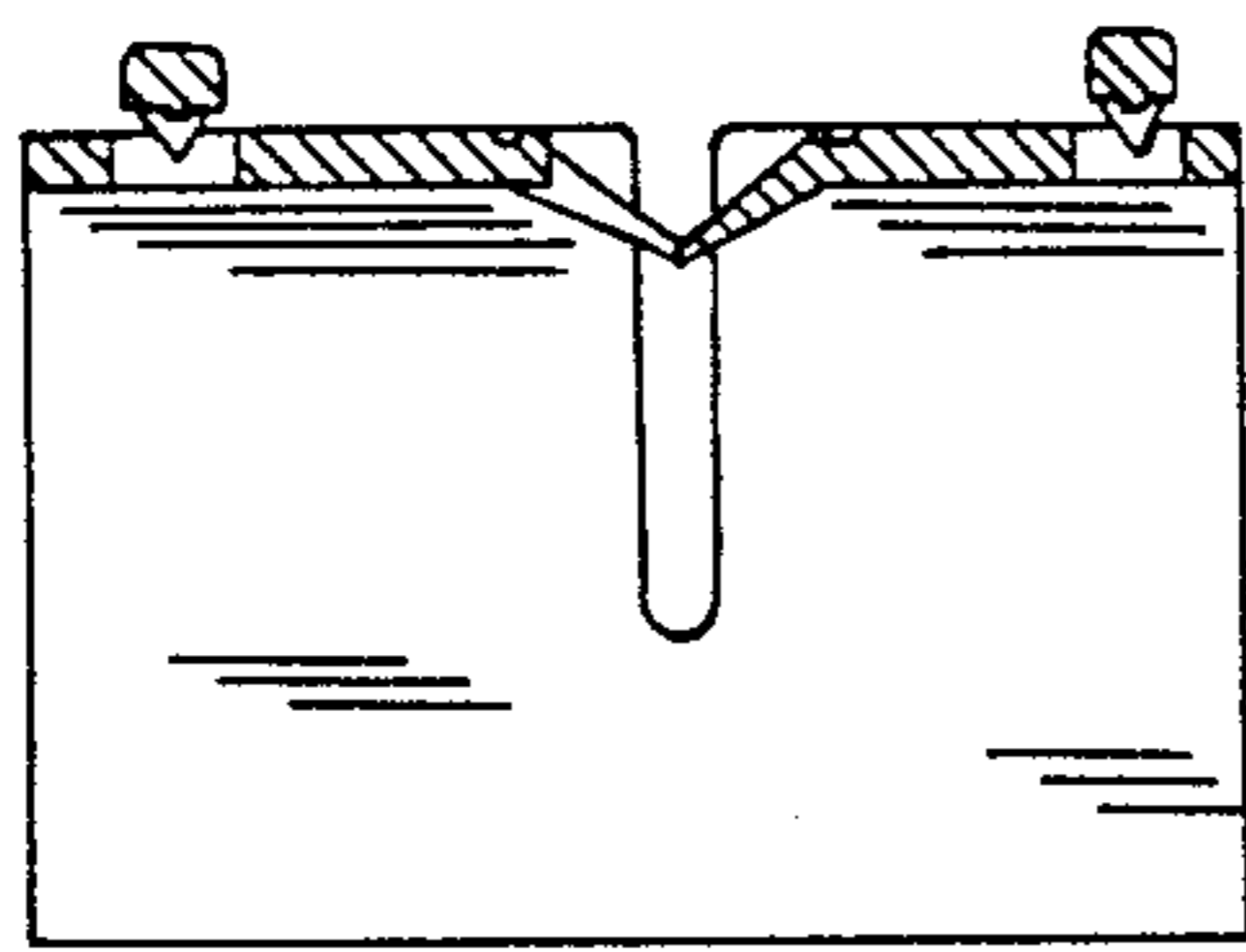


FIG. 7

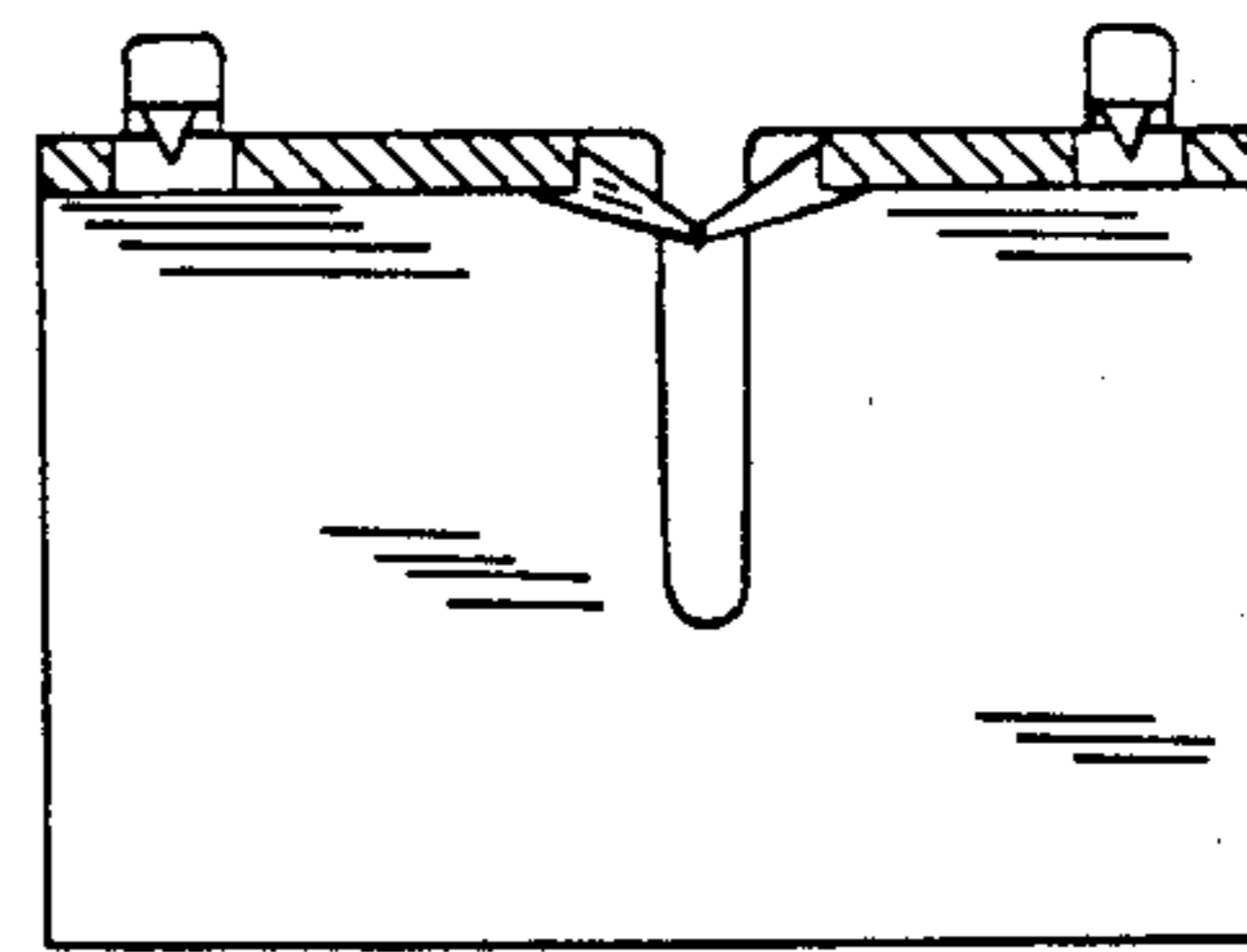


FIG. 8

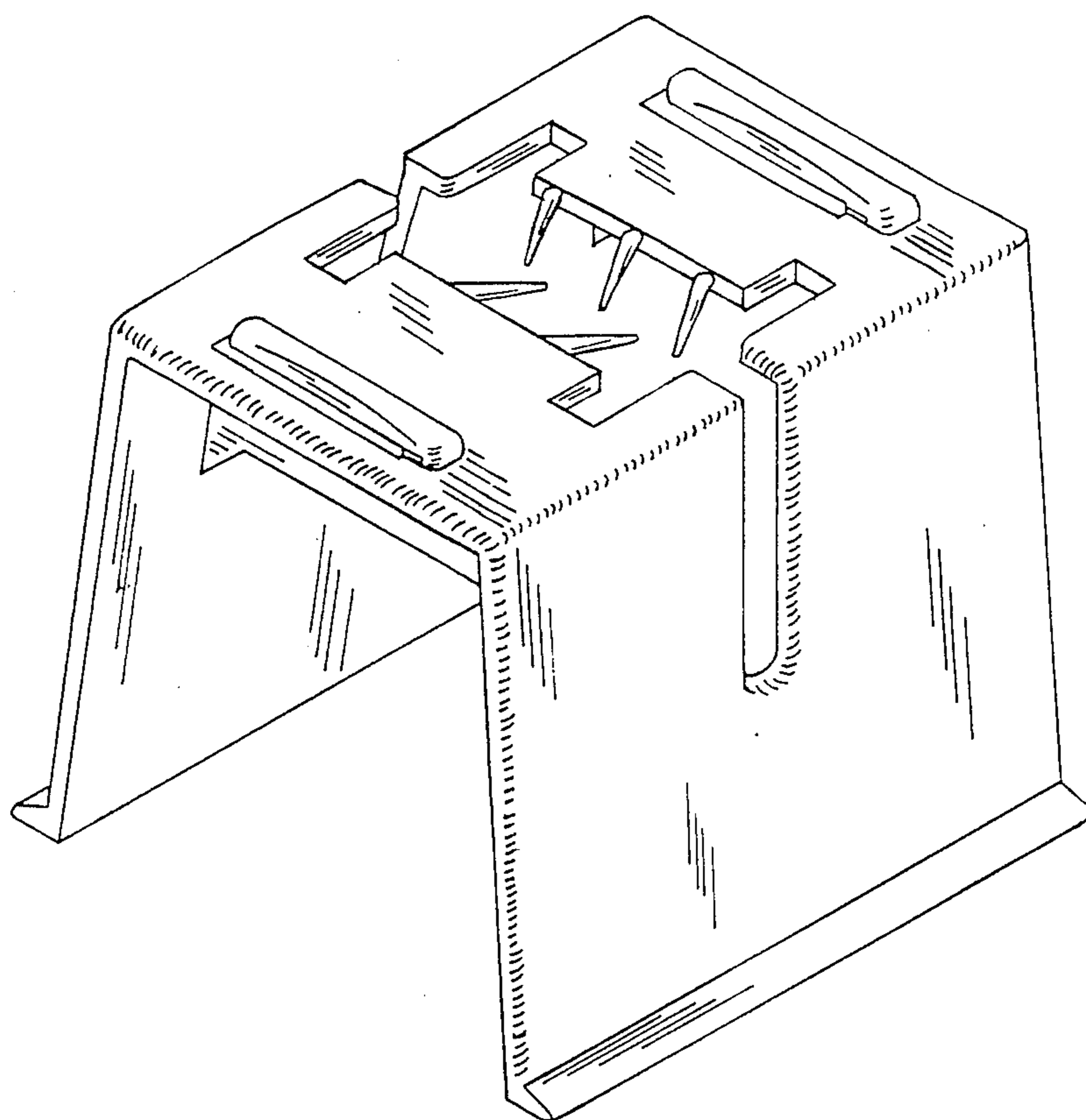


FIG. 9