

[54] **HAND-OPERATED PAPER PUNCH**

[75] **Inventor: Ed D. Lucey, Los Gatos, Calif.**

[73] **Assignee: Velo Bind Inc., Sunnyvale, Calif.**

[**] **Term: 14 Years**

[21] **Appl. No.: 794,433**

[22] **Filed: Nov. 4, 1985**

[52] **U.S. Cl. D19/72**

[58] **Field of Search D19/72; 83/467, 560,
83/618, 588, 167**

[56] **References Cited**

U.S. PATENT DOCUMENTS

D. 193,231 7/1962 Klien D19/72
D. 283,035 3/1986 Goertz D19/72

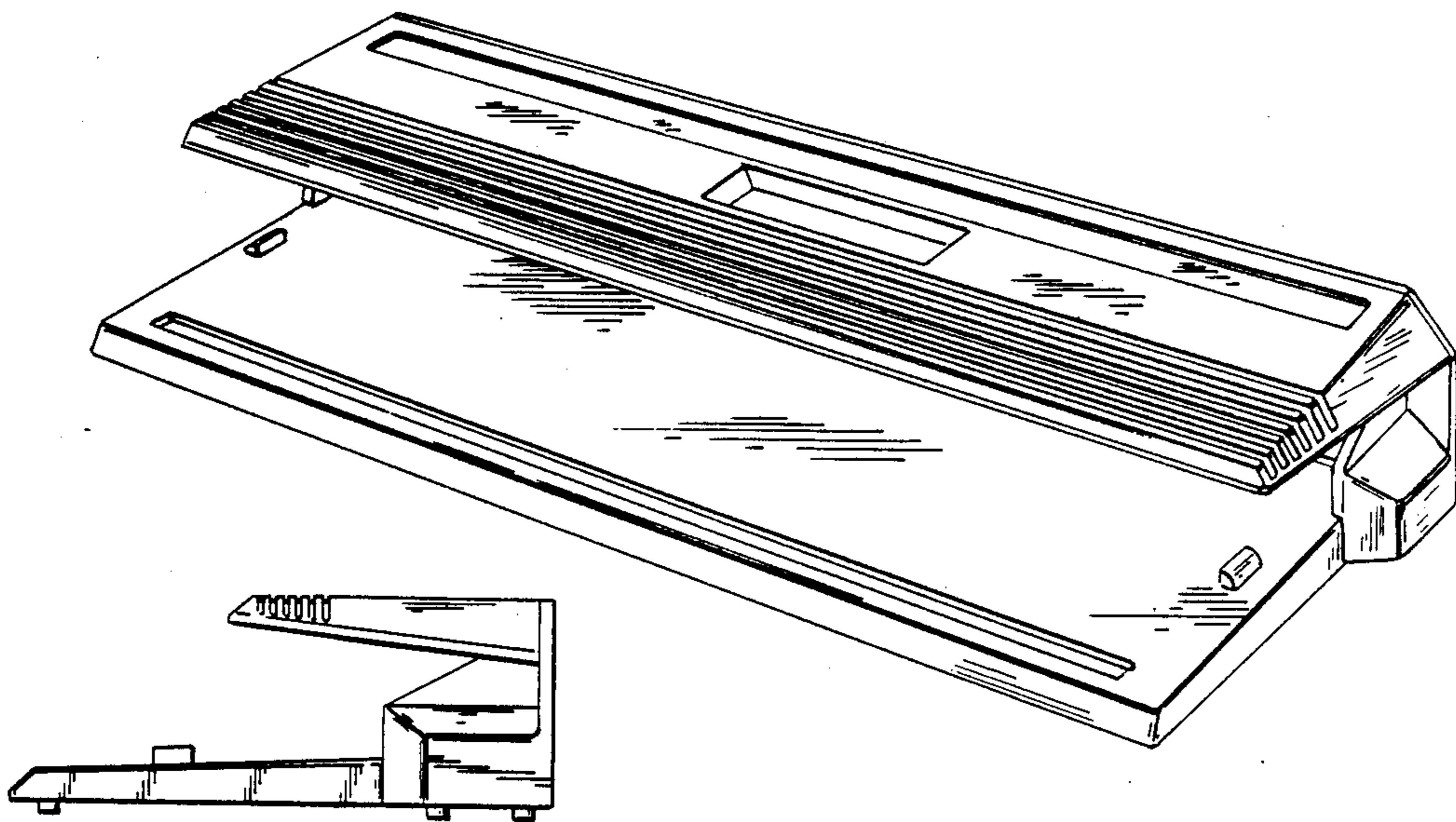
Primary Examiner—George P. Word

[57] **CLAIM**

The ornamental design for a hand-operated paper punch, as shown and described.

DESCRIPTION

FIG. 1 is a perspective view of a hand operated paper-punch, showing my new design;
FIG. 2 is a right side elevational view thereof;
FIG. 3 is a front elevational view thereof;
FIG. 4 is a rear elevational view thereof; and
FIG. 5 is a bottom plan view thereof.



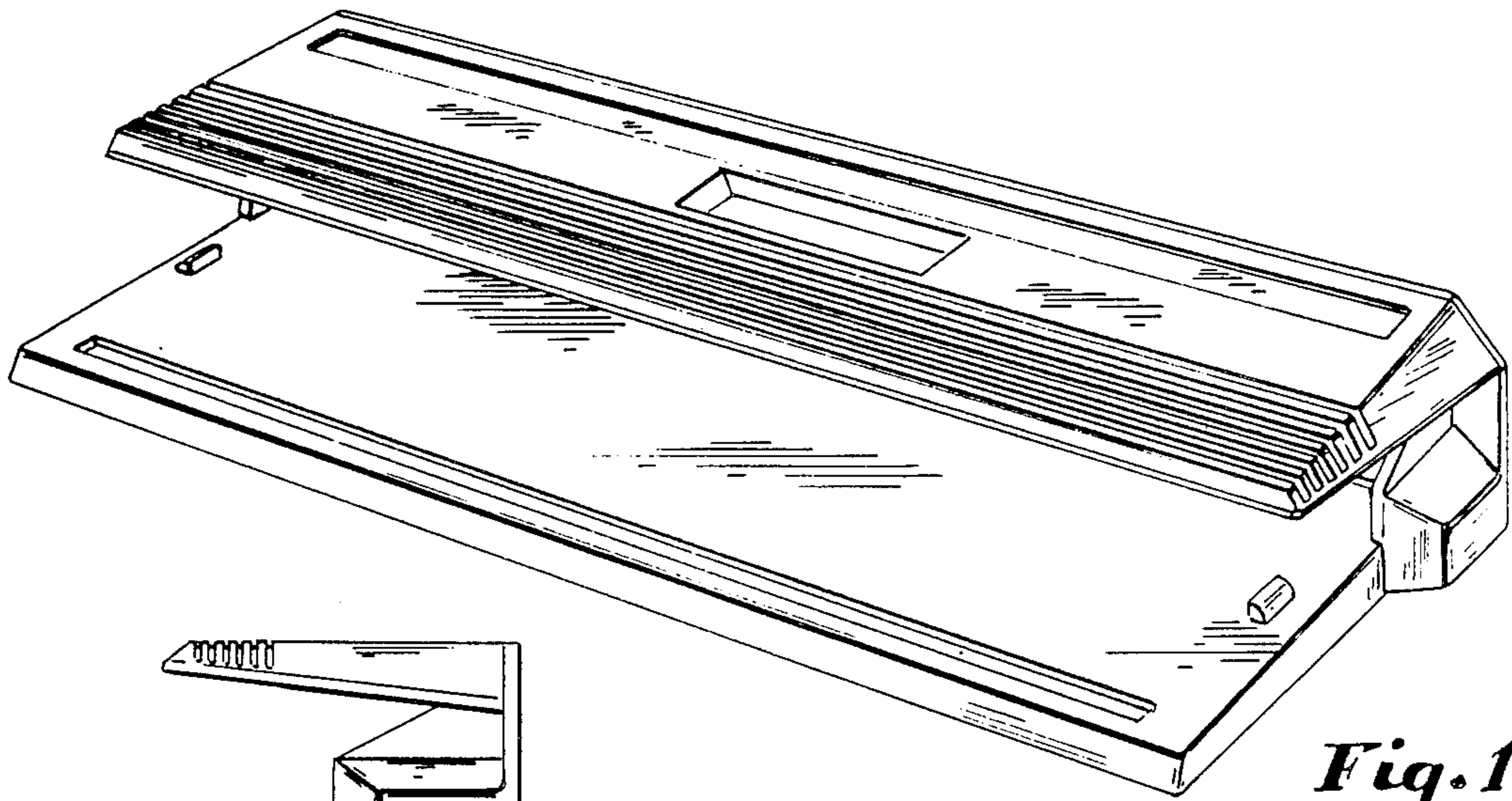


Fig. 1

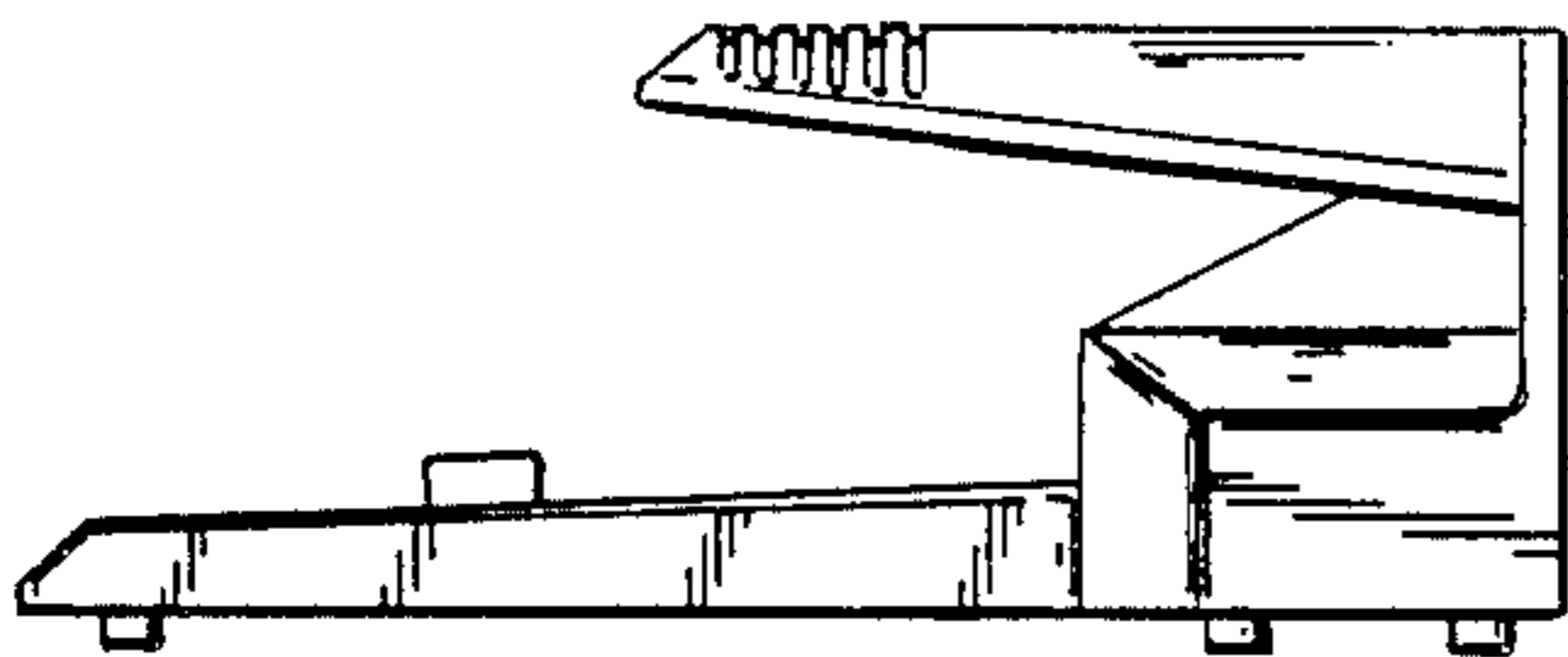


Fig. 2

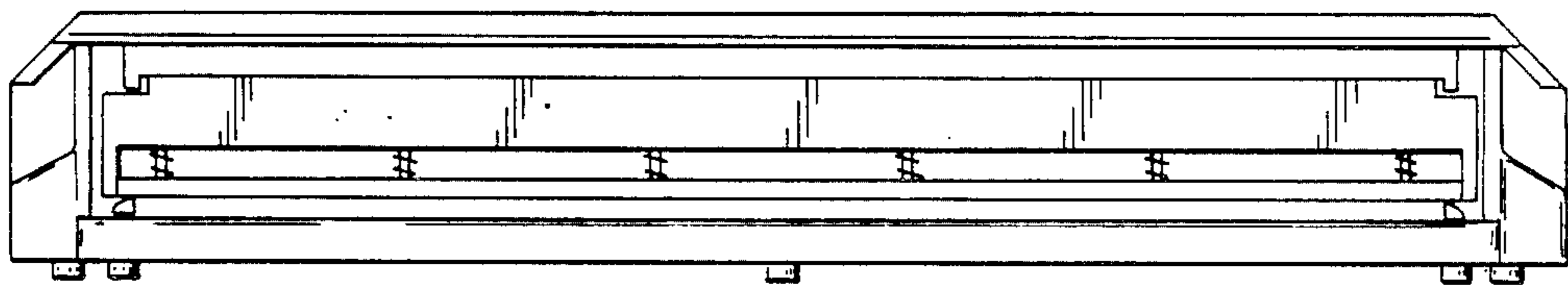


Fig. 3

Fig. 4

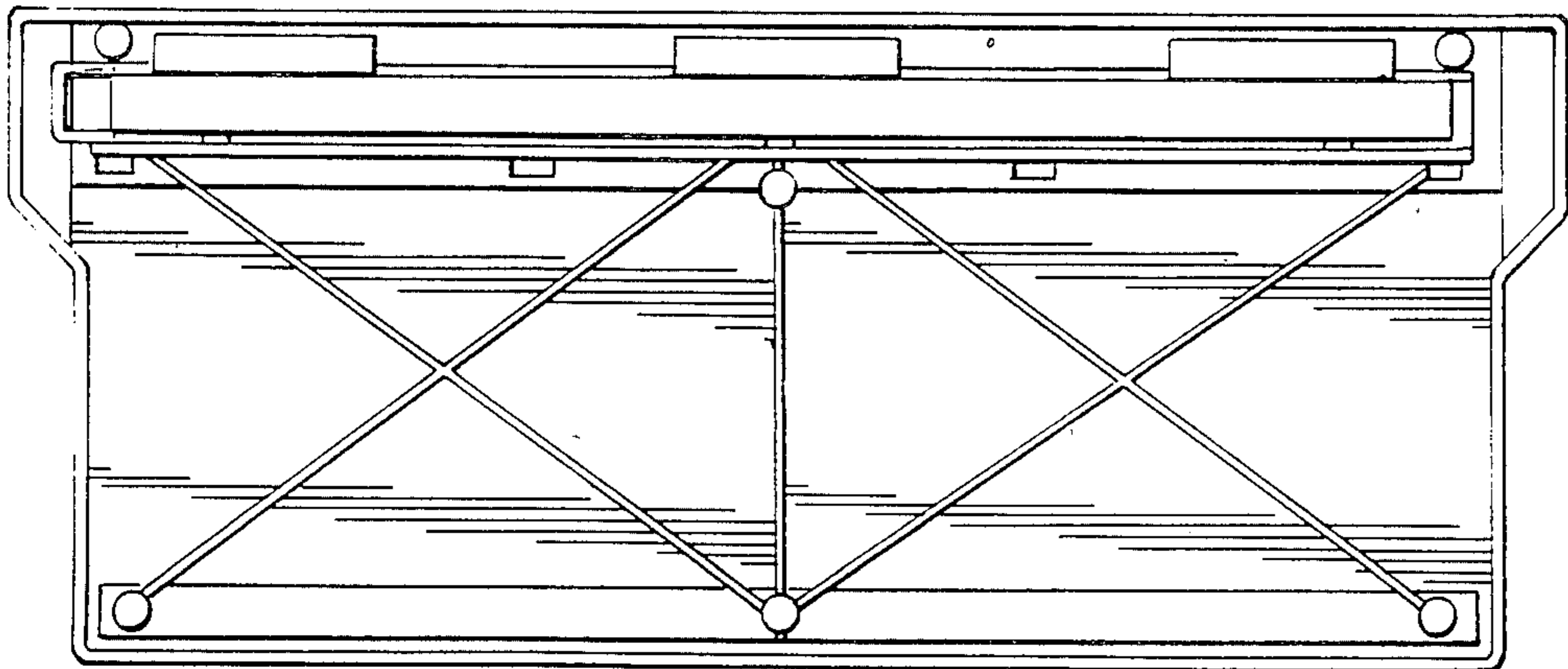
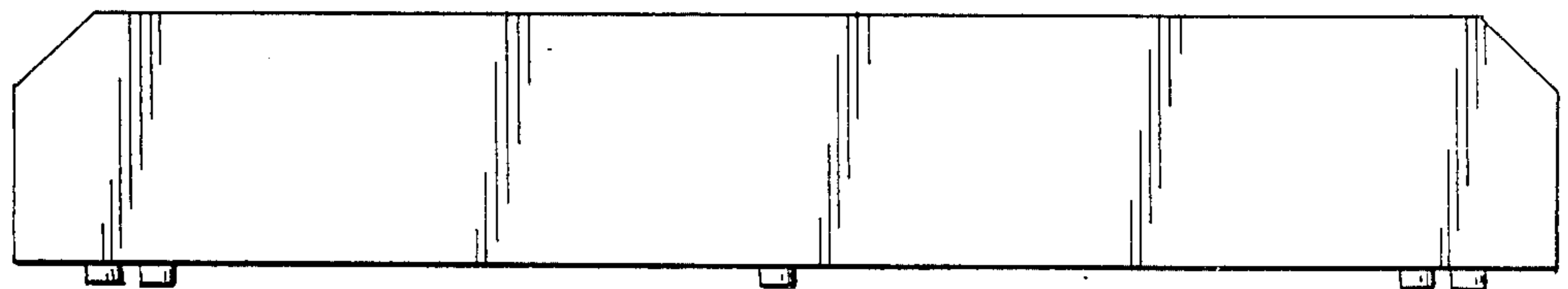


Fig. 5