

[54] DEVICE FOR REVERSING AND PLACING DISCHARGED SHEET FOR LASER BEAM PRINTER

[75] Inventor: Takashi Yomo, Yokohama, Japan

[73] Assignee: Canon Kabushiki Kaisha, Tokyo, Japan

[**] Term: 14 Years

[21] Appl. No.: 664,781

[22] Filed: Oct. 25, 1984

[30] Foreign Application Priority Data

Jul. 2, 1984 [JP] Japan 59-27240

[52] U.S. Cl. D18/22; D16/32

[58] Field of Search D18/12, 22; D14/114; D16/32; 400/625, 629; 271/3.1, 35, 240

[56] References Cited

U.S. PATENT DOCUMENTS

- D. 261,646 11/1981 Stirling D14/114
- D. 267,804 2/1983 Kalvitis D16/32
- D. 283,625 4/1986 Goto D16/32
- 4,293,184 10/1981 Minoura et al. 350/6.3
- 4,344,700 8/1982 Kasama et al. 355/3
- 4,424,743 1/1984 Okubo et al. 101/99

Primary Examiner—Louis S. Zarfes
Attorney, Agent, or Firm—Fitzpatrick, Cella, Harper & Scinto

[57] CLAIM

The ornamental design for a device for reversing and placing discharged sheet for laser beam printer, as shown and described.

DESCRIPTION

FIG. 1 is a front elevational view of a device for reversing and placing discharged sheet for laser beam printer showing my new design;

FIG. 2 is a rear elevational view thereof;

FIG. 3 is a top perspective view thereof;

FIG. 4 is a bottom perspective view thereof.

FIG. 5 is a side elevational view as seen from the left of FIG. 1;

FIG. 6 is a side elevational view as seen from the right of FIG. 1 and

FIG. 7 is a perspective view in use of the device for reversing and placing discharged sheet for laser beam printer.

The broken line showing of a laser beam printer and its attachments in FIG. 7 is for illustrative purposes only and forms no part of the claimed design.

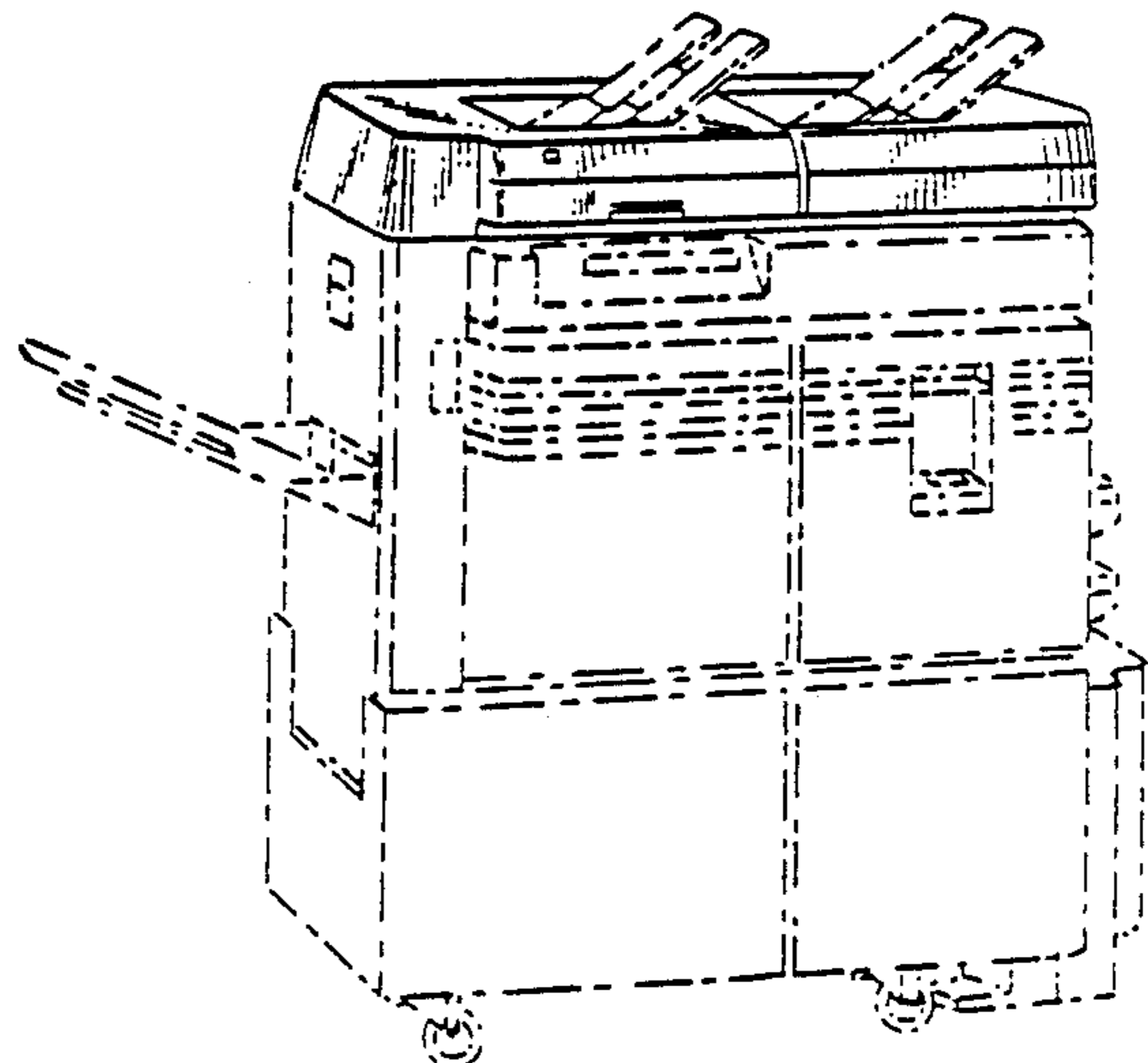
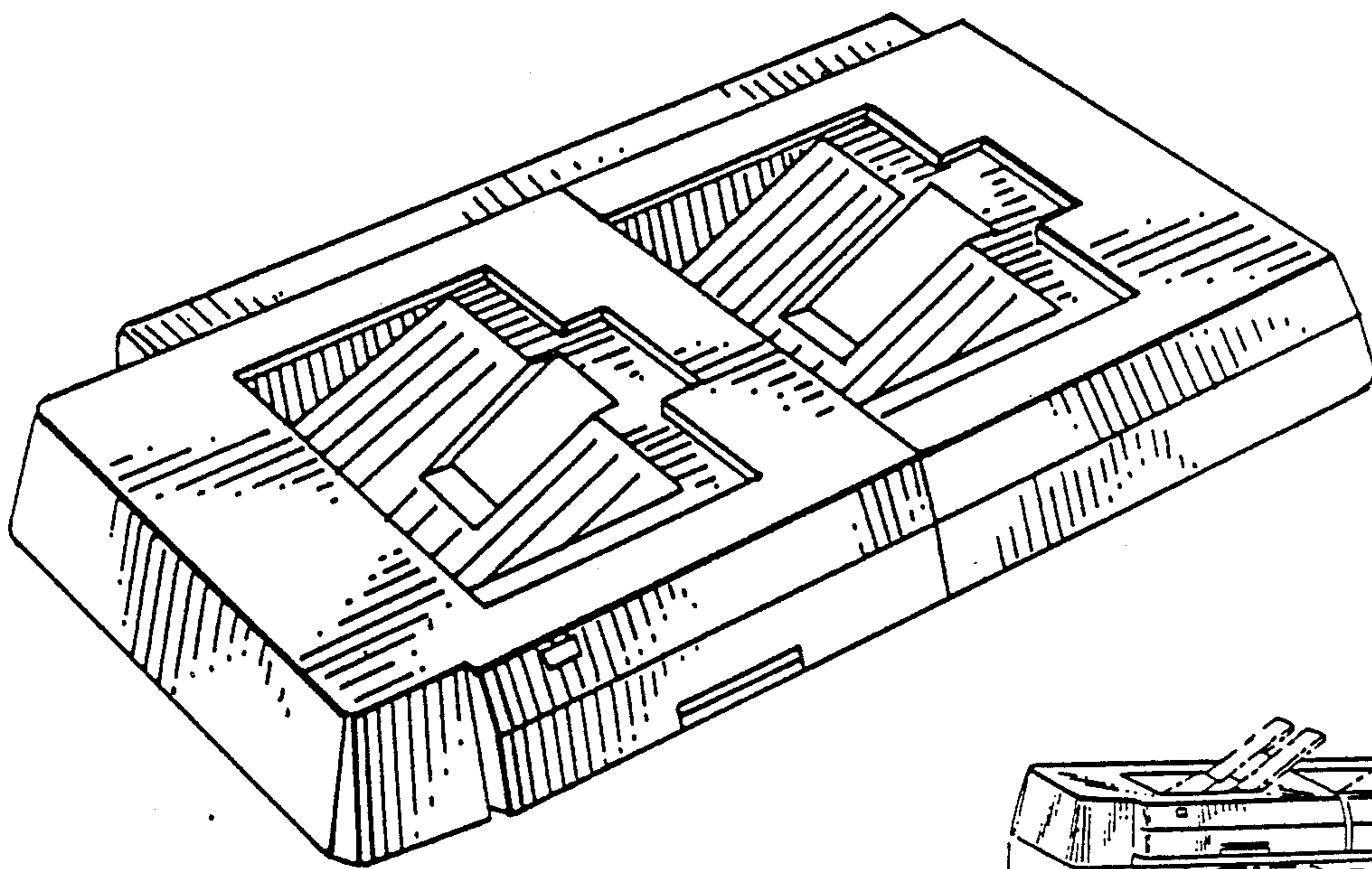


FIG. 1



FIG. 2

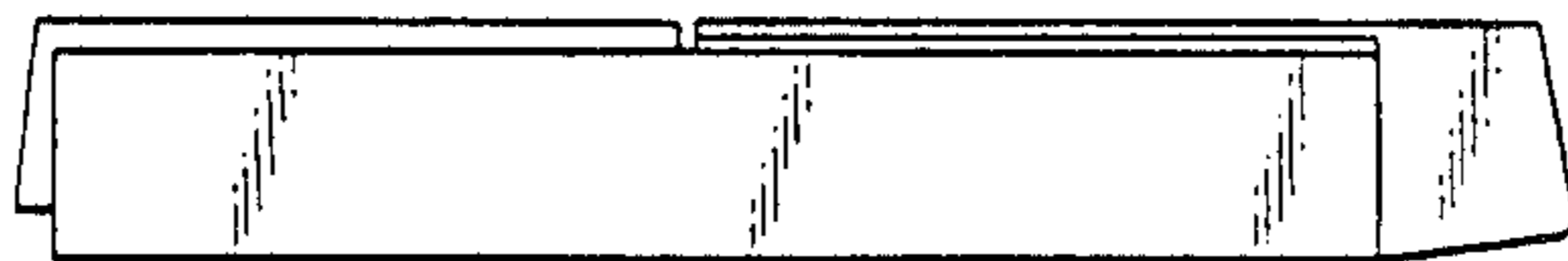


FIG. 3

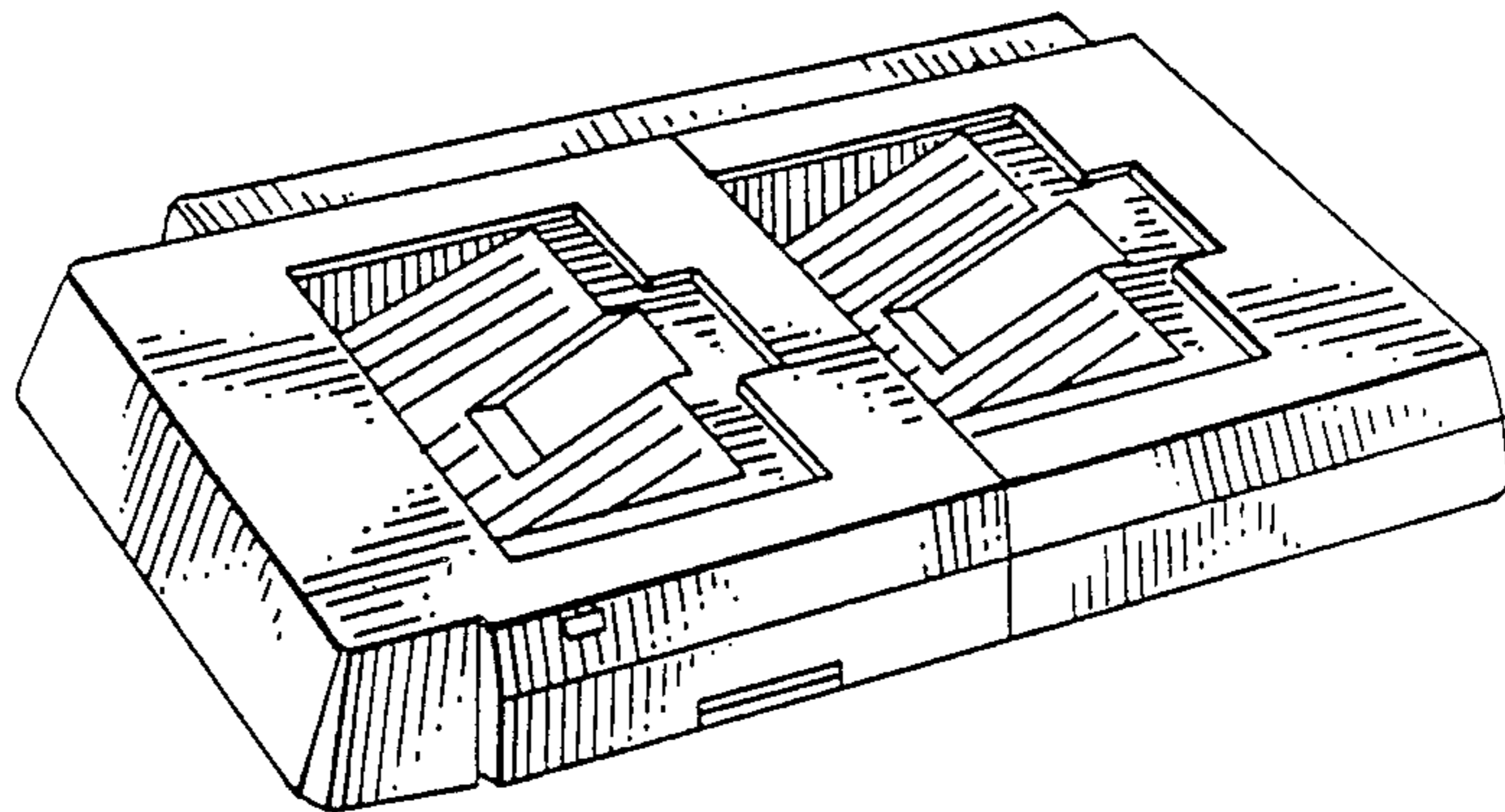


FIG. 4

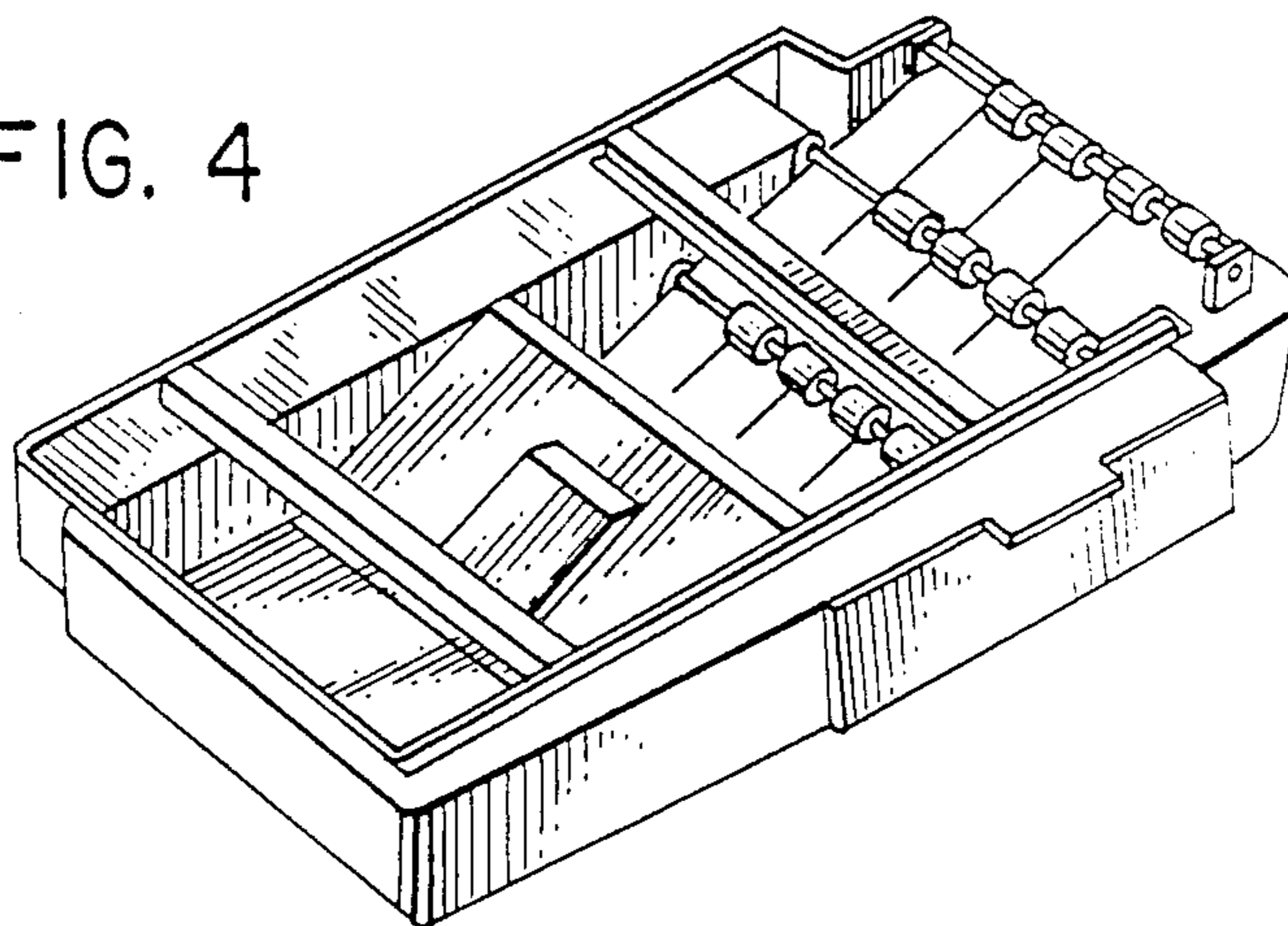


FIG. 5



FIG. 6



FIG. 7

