

[54] **PAPER DRIVING UNIT FOR PRINTER**
[75] **Inventor: Nobutoshi Mochizuki, Tokyo, Japan**
[73] **Assignee: Citizen Watch Company, Ltd., Tokyo, Japan**
[**] **Term: 14 Years**
[21] **Appl. No.: 805,545**
[22] **Filed: Nov. 18, 1985**

[30] **Foreign Application Priority Data**
Jul. 22, 1985 [JP] Japan 60-31008
[52] **U.S. Cl. D18/22**
[58] **Field of Search D18/12, 13, 22, 23; D14/107, 111, 114; 493/410; 400/625, 629, 636, 638, 639, 641, 646, 647, 647.1, 689-694**

[56] **References Cited**
U.S. PATENT DOCUMENTS
D. 277,872 3/1985 Rünzl D18/22 X
D. 283,034 3/1986 Hashimoto D18/12 X

FOREIGN PATENT DOCUMENTS
61271 5/1981 Japan 493/410

OTHER PUBLICATIONS
Silver-Reed Exp 500 Flyer, carrier paper feed at top left.
Primary Examiner—Louis S. Zarfes
Attorney, Agent, or Firm—Cushman, Darby & Cushman

[57] **CLAIM**
The ornamental design for a paper driving unit for printer, as shown.

DESCRIPTION
FIG. 1 is a front, top and left side perspective view of a paper driving unit for printer showing my new design, FIG. 2 is a rear, bottom and right side perspective view thereof, FIG. 3 is a front elevational view thereof, FIG. 4 is a rear elevational view thereof, and FIG. 5 is a top plan view thereof.

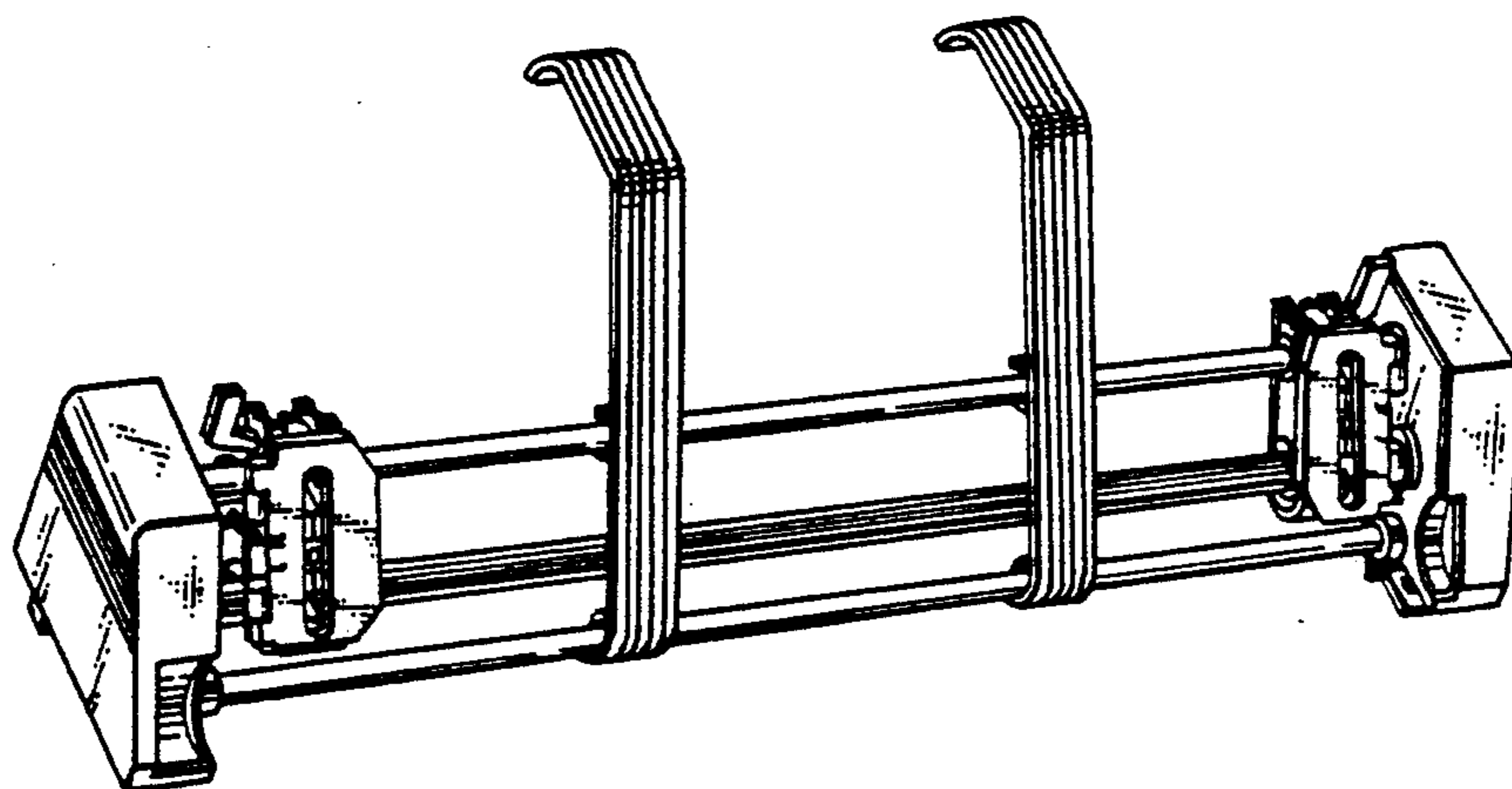


FIG. 1

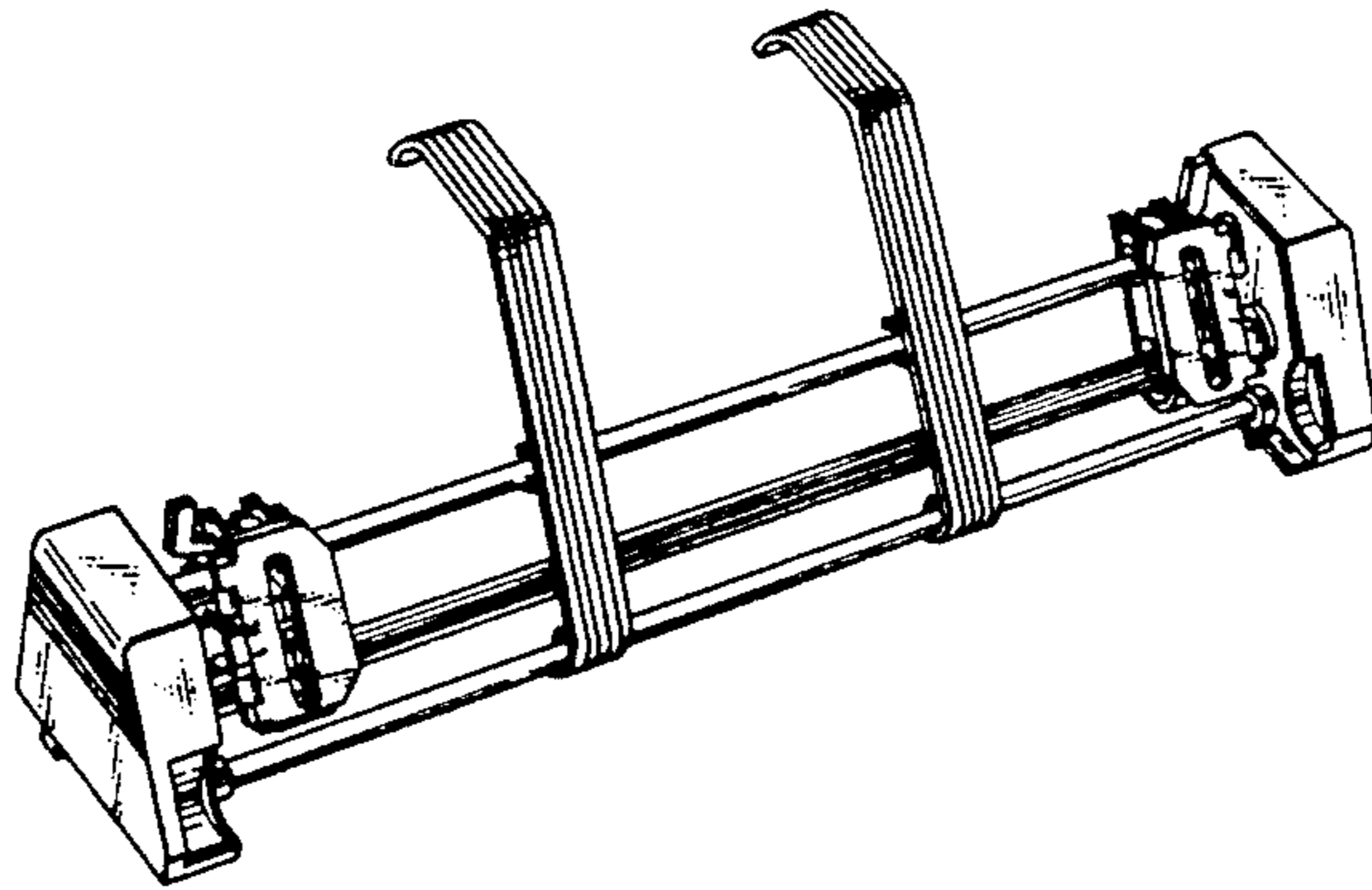


FIG. 2

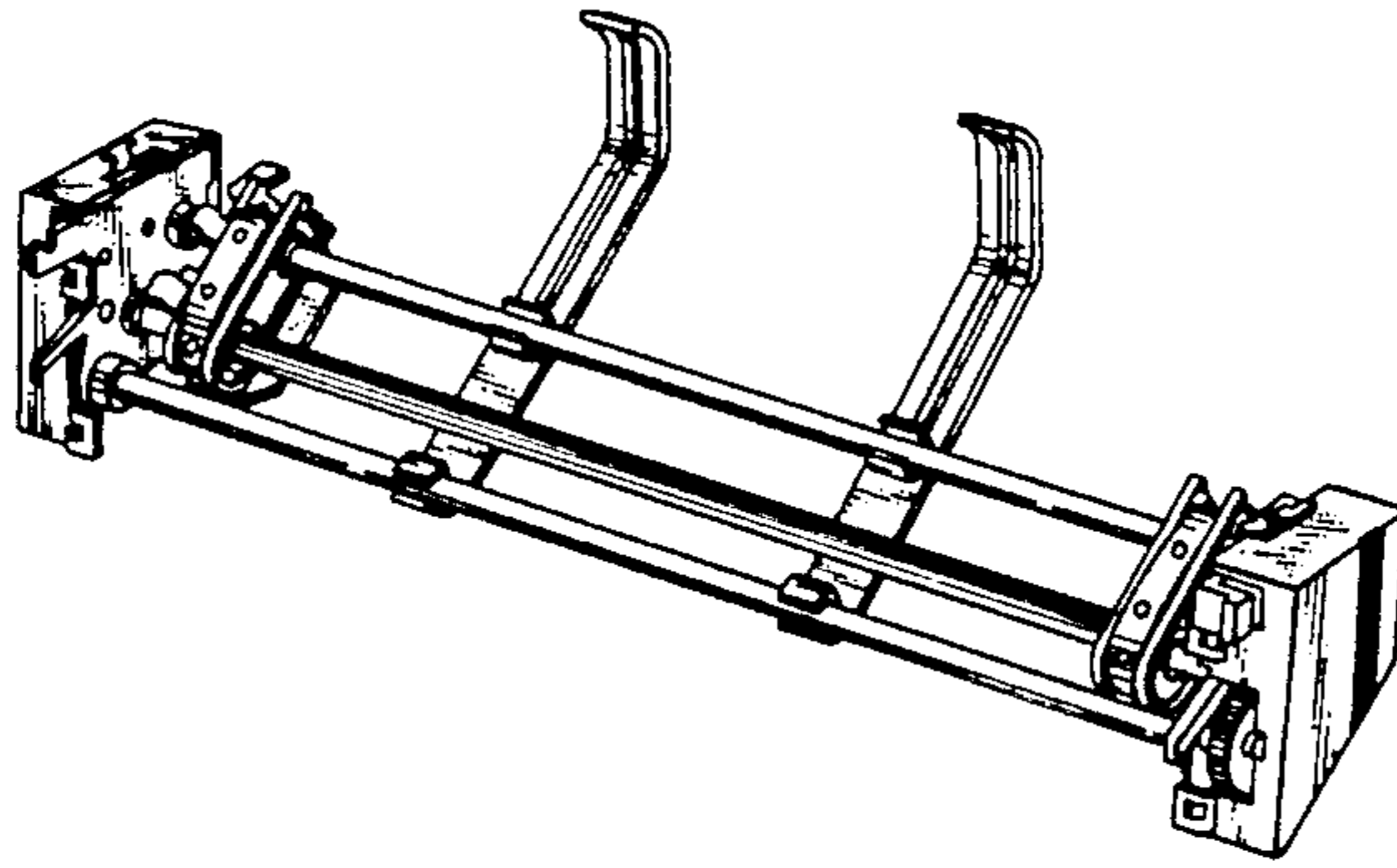


FIG. 3

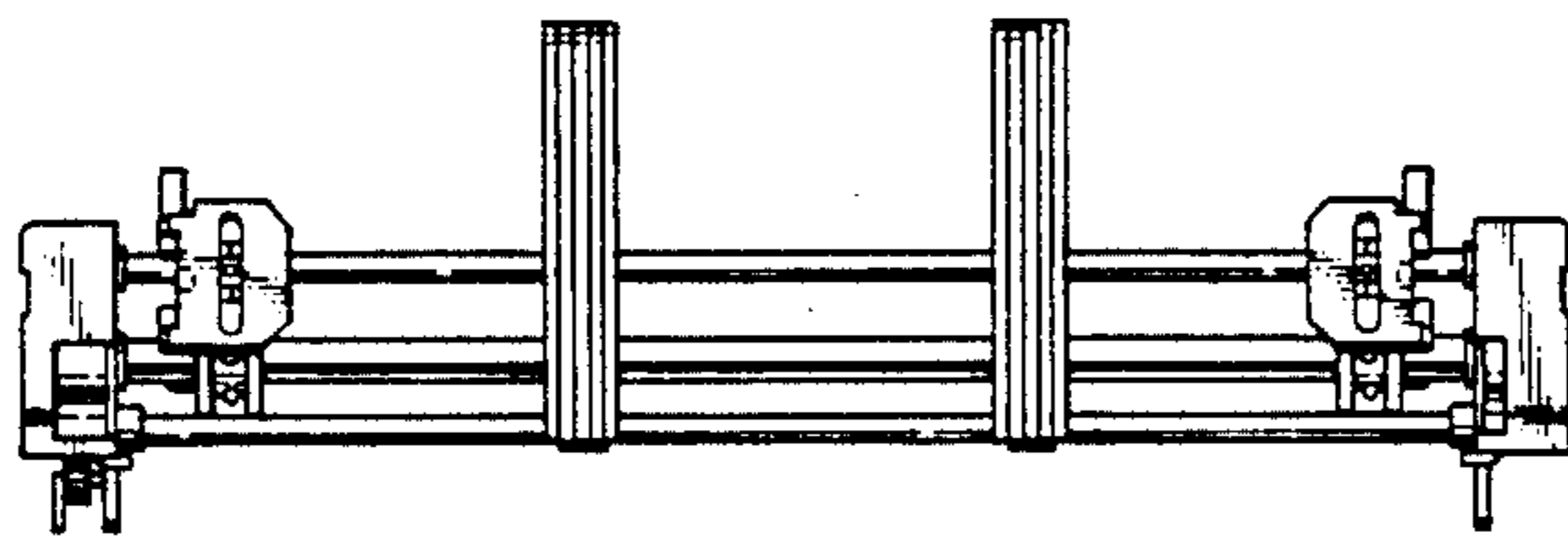


FIG. 4

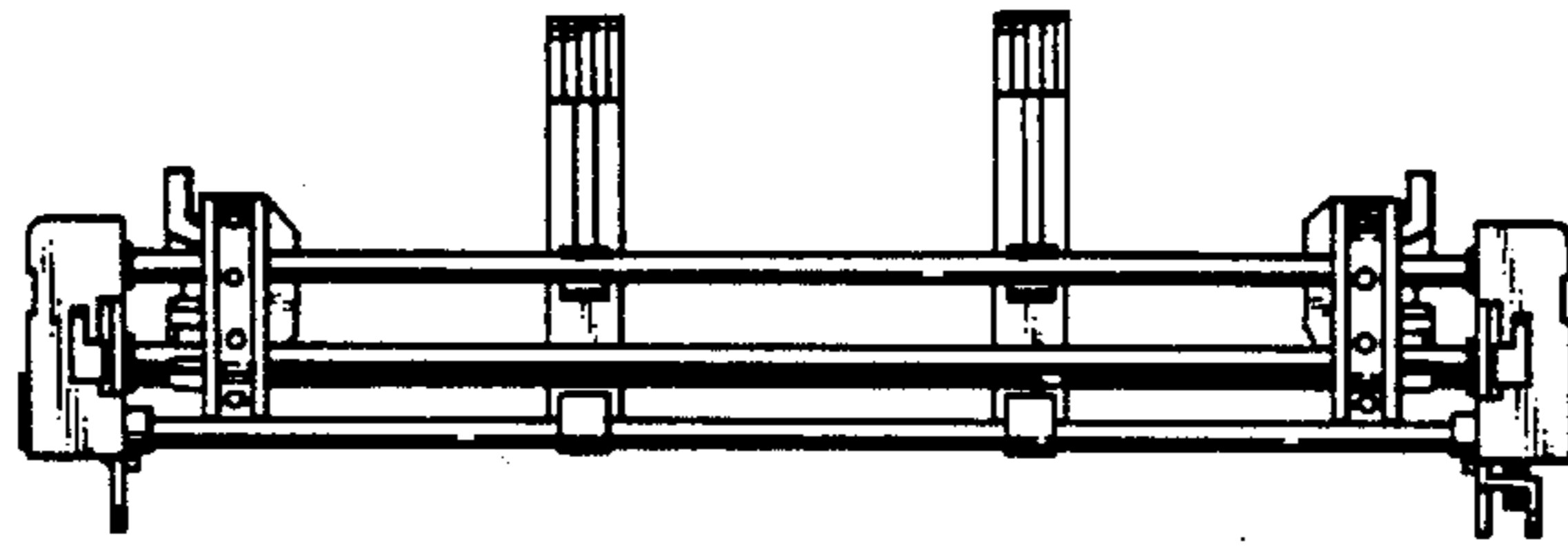


FIG. 5

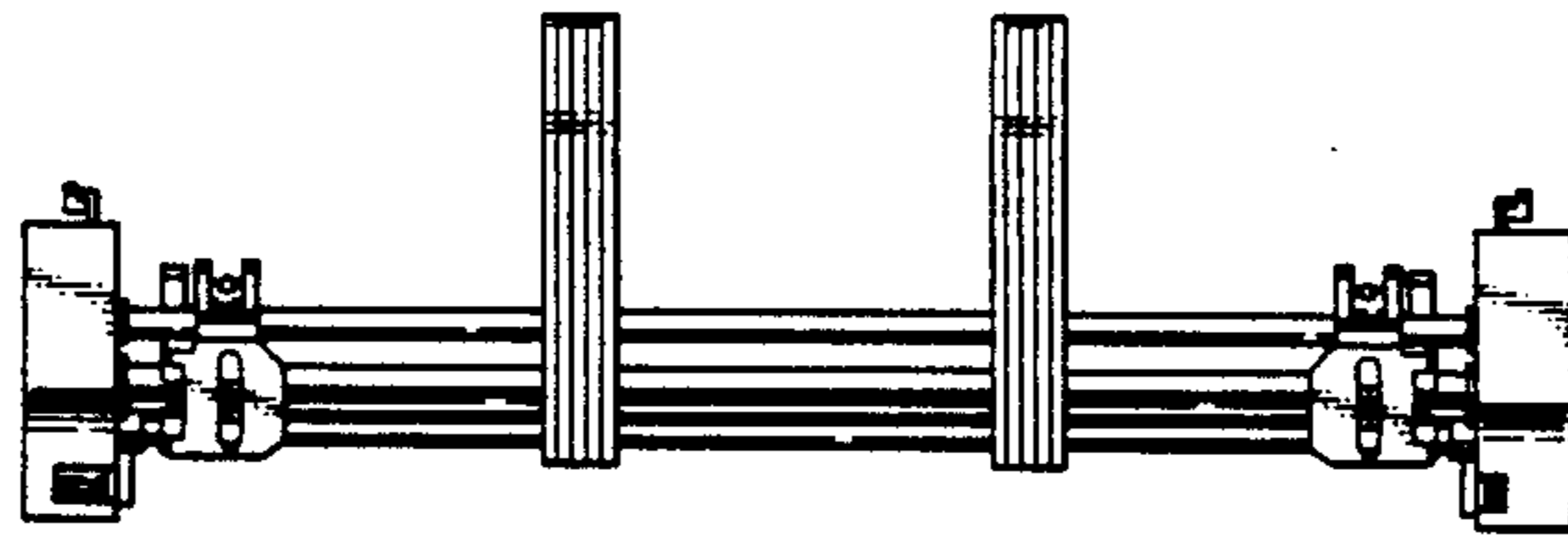


FIG. 6

