

[54] PRINTER

[75] Inventor: Frederick B. Hadtke, New Providence, N.J.

[73] Assignee: Genicom Corporation, Waynesboro, Va.

[*] Notice: The portion of the term of this patent subsequent to Feb. 2, 2002 has been disclaimed.

[**] Term: 14 Years

[21] Appl. No.: 797,122

[22] Filed: Nov. 12, 1985

[52] U.S. Cl. D18/13

[58] Field of Search D18/13, 22, 23; D14/107, 111, 114; 400/689-694; 312/208

[56] References Cited

U.S. PATENT DOCUMENTS

D. 215,676 10/1969 Majesty D18/13
D. 260,642 9/1981 Collister et al. D18/13 X

Primary Examiner—Louis S. Zarfes
Attorney, Agent, or Firm—Nixon & Vanderhye

[57] CLAIM

The ornamental design for a printer, as shown and described.

DESCRIPTION

FIG. 1 is a perspective view of a printer showing my new design;

FIG. 2 is a top plan view;

FIG. 3 is a front elevational view;

FIG. 4 is a rear elevational view;

FIG. 5 is a right side elevational view; and

FIG. 6 is a left side elevational view.

The broken line showing of switch panels, connectors and a power cord in FIGS. 1-4 is for illustrative purposes only and forms no part of the claimed design.

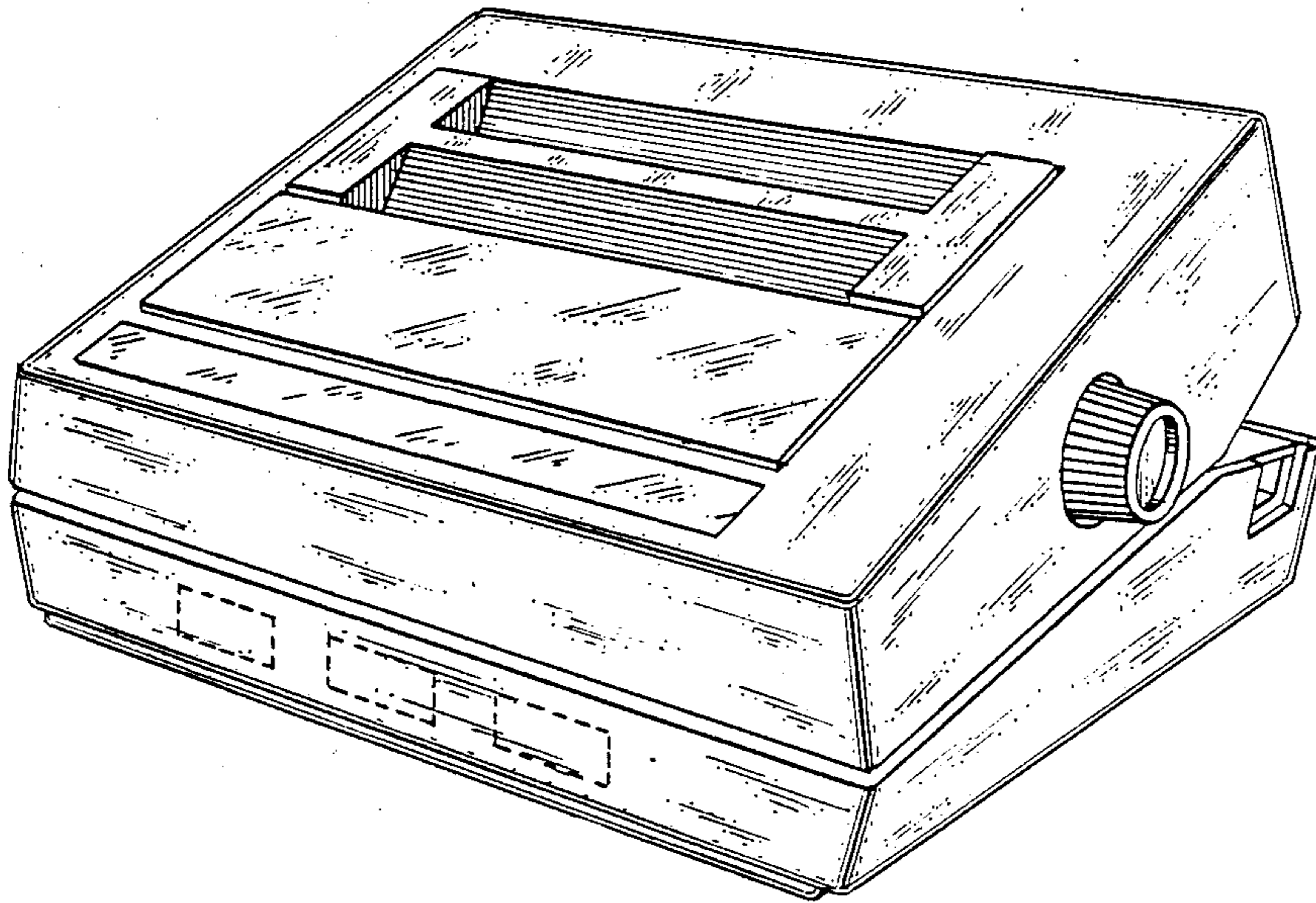


FIG.1.

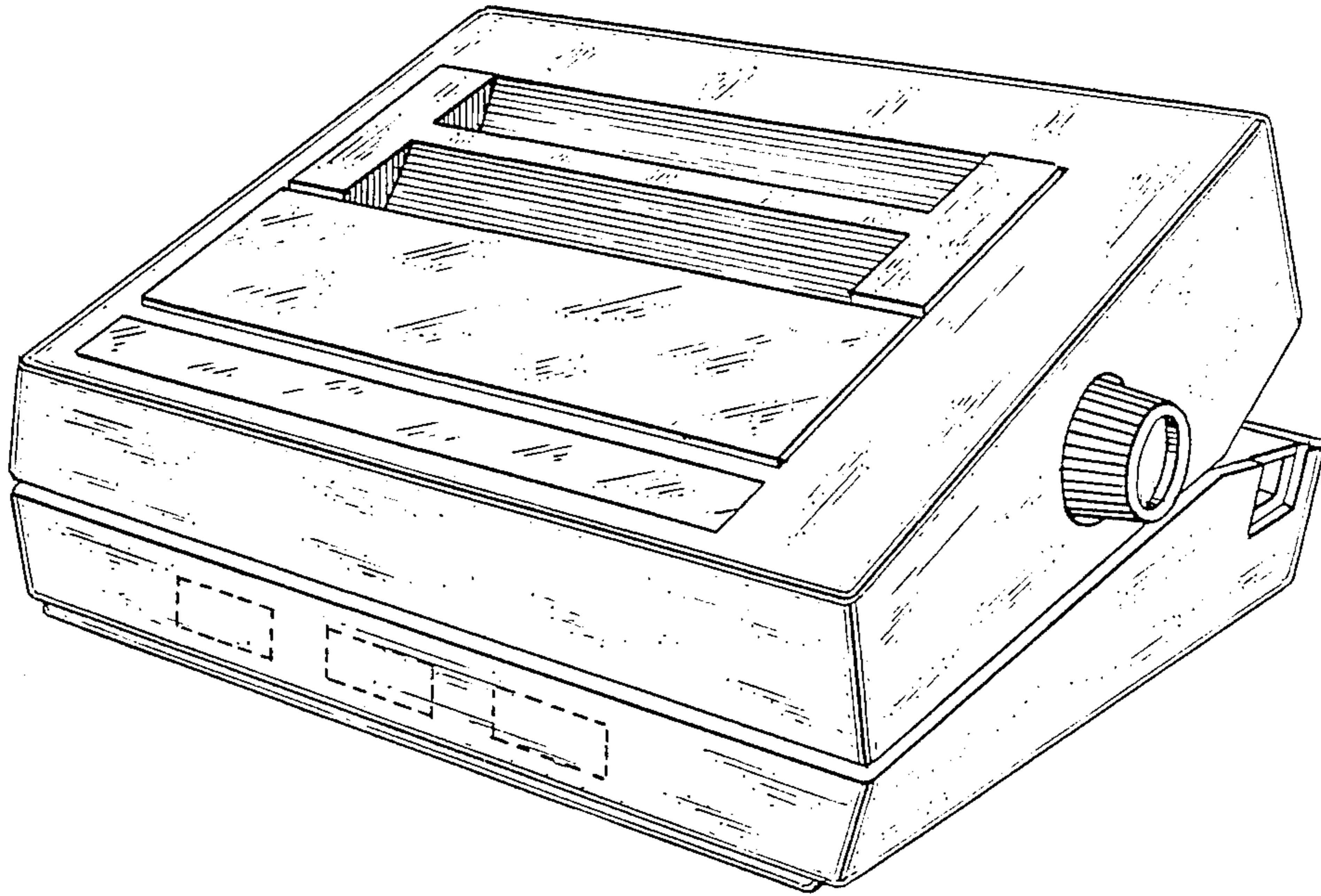


FIG.2.

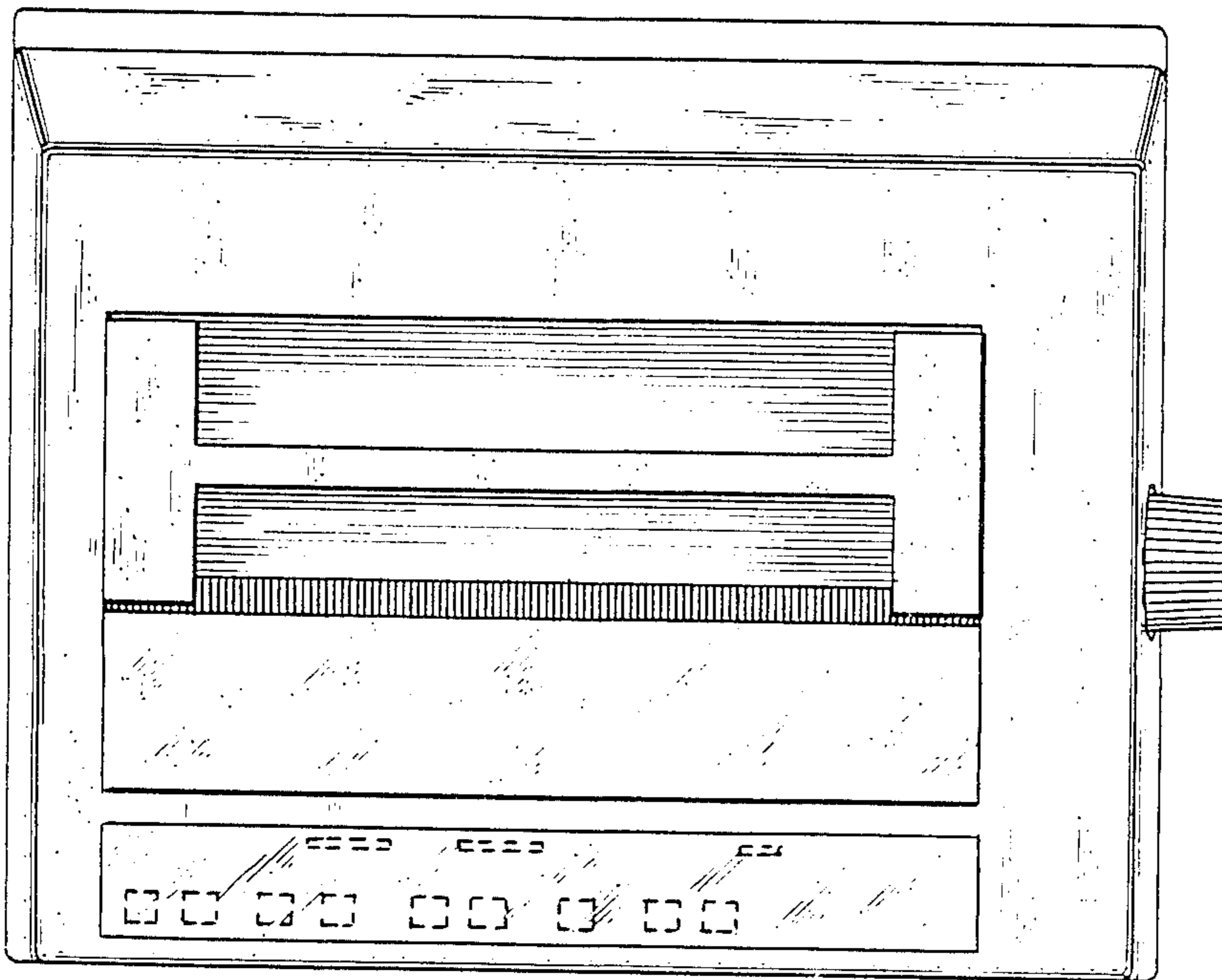


FIG. 3.

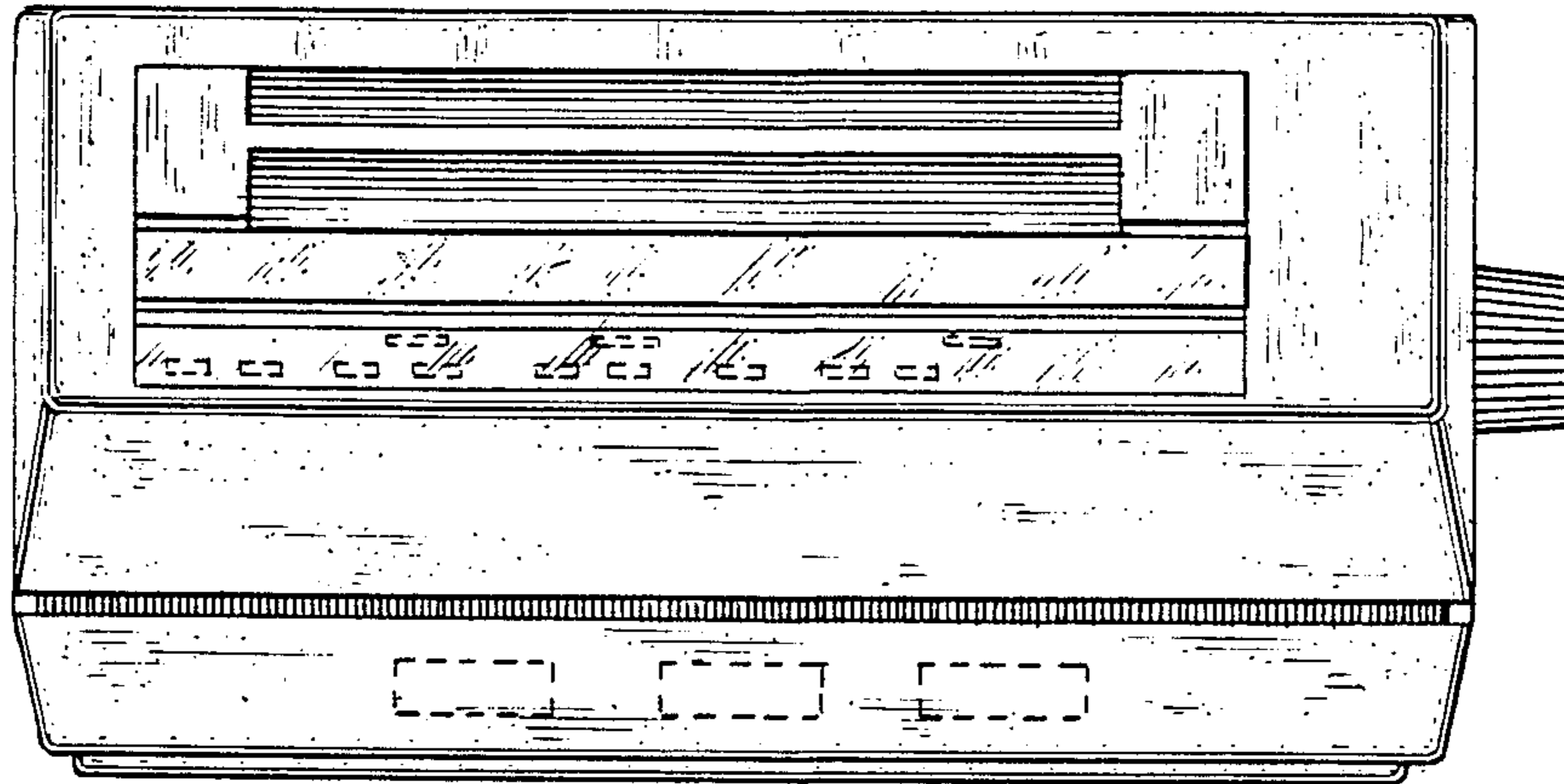


FIG. 4.

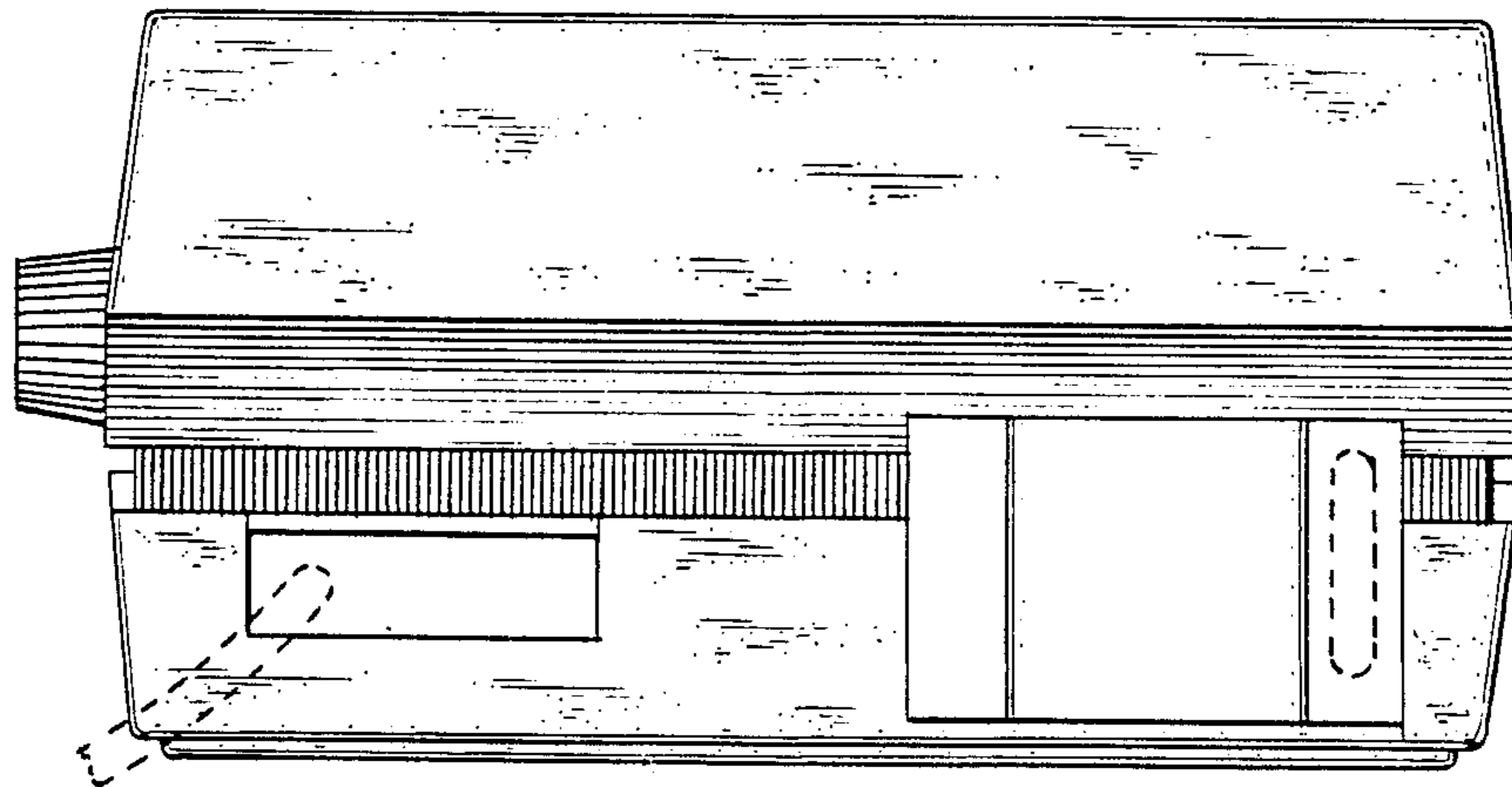


FIG.5.

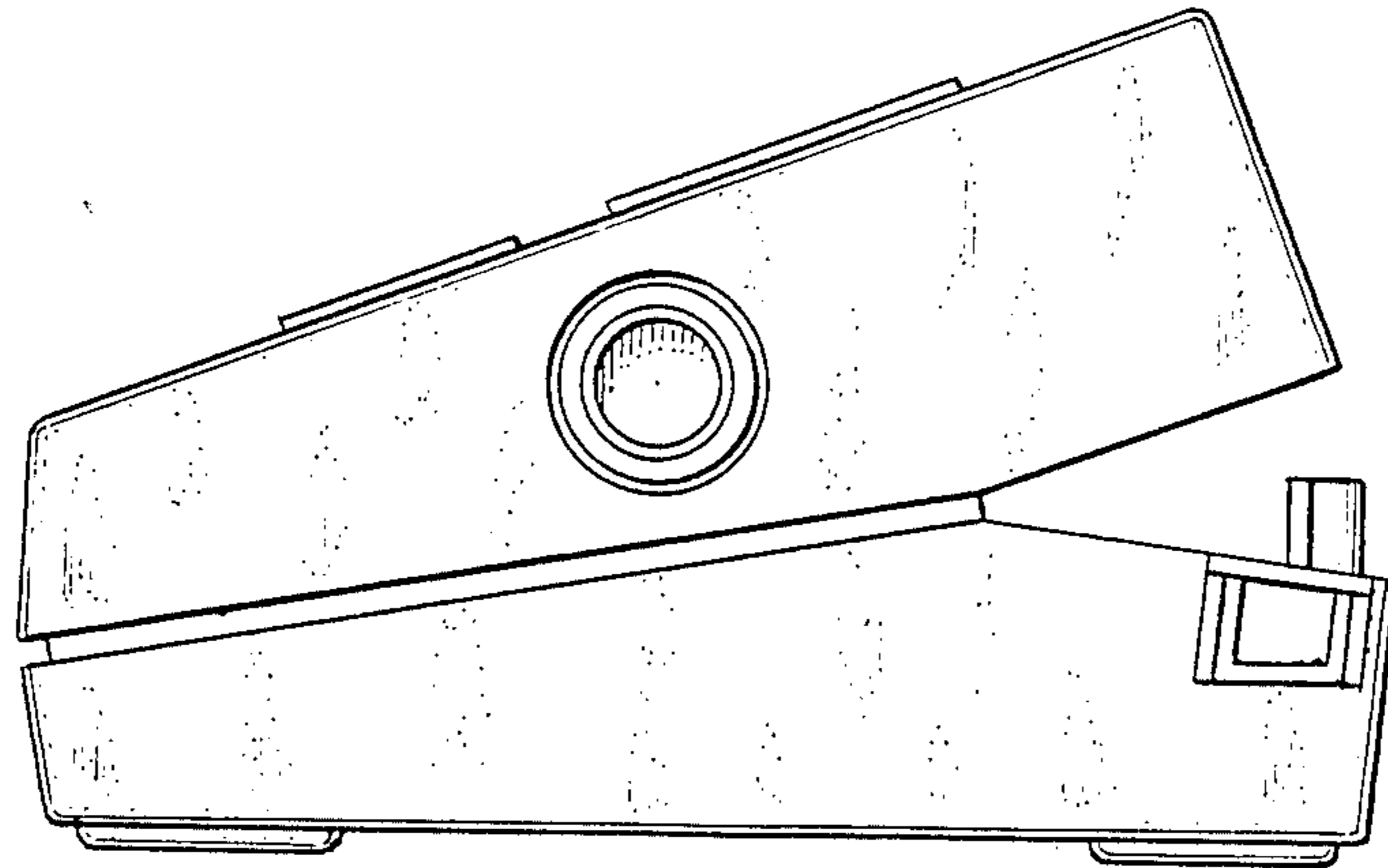


FIG.6.

