

[54] FOLDING PHOTOGRAPHIC CAMERA OR SIMILAR ARTICLE

[75] Inventors: Bruce K. Johnson, Andover; George D. Whiteside, Lexington, both of Mass.

[73] Assignee: Polaroid Corporation, Cambridge, Mass.

[\*\*] Term: 14 Years

[21] Appl. No.: 747,900

[22] Filed: Jun. 24, 1985

[52] U.S. Cl. .... D16/5; D16/6

[58] Field of Search ..... D16/1-10; 354/83-86, 158, 187, 202, 288, 192-193

[56] References Cited

U.S. PATENT DOCUMENTS

D. 279,574	7/1985	Conner	.....	D16/5
3,959,805	5/1976	Blinow	.....	354/202
4,331,404	5/1982	Johnson	.....	354/187 X

4,452,520	6/1984	Kaplan	.....	354/187 X
4,464,497	5/1987	Johnson	.....	354/86
4,542,967	9/1985	Costa	.....	354/187
4,545,661	10/1985	Hamaguchi	.....	354/158 X
4,559,204	4/1987	Launie	.....	354/86 X

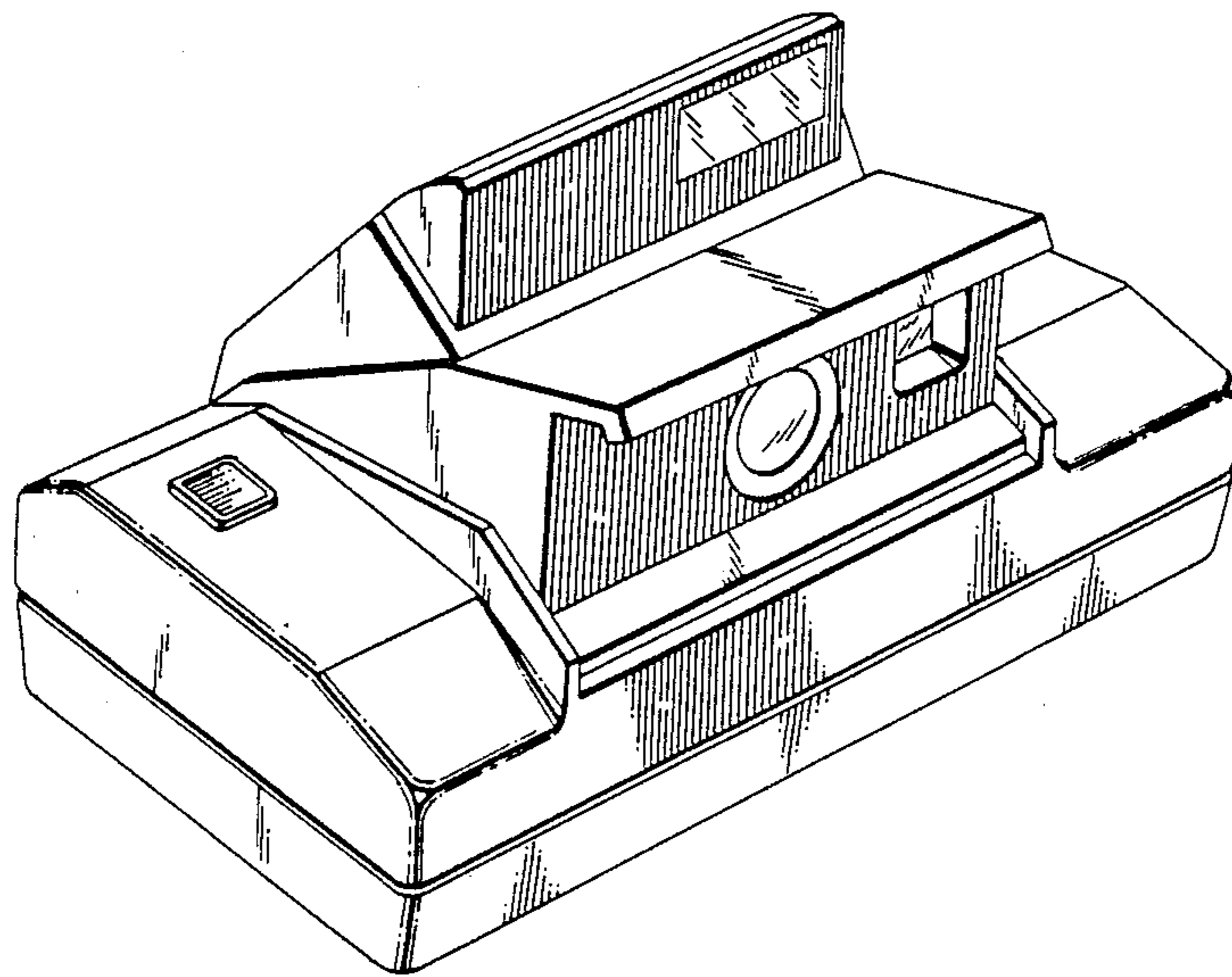
Primary Examiner—Nelson C. Holtje  
Attorney, Agent, or Firm—Leslie J. Payne

[57] CLAIM

The ornamental design for a folding photographic camera or similar article, as shown.

DESCRIPTION

FIG. 1 is a left front perspective view of a folding photographic camera or similar article showing our new design;  
FIG. 2 is a front elevational view thereof;  
FIG. 3 is a top plan view thereof;  
FIG. 4 is a rear elevational view thereof;  
FIG. 5 is a left side elevational view thereof;  
FIG. 6 is a right side elevational view thereof; and  
FIG. 7 is a bottom plan view thereof.



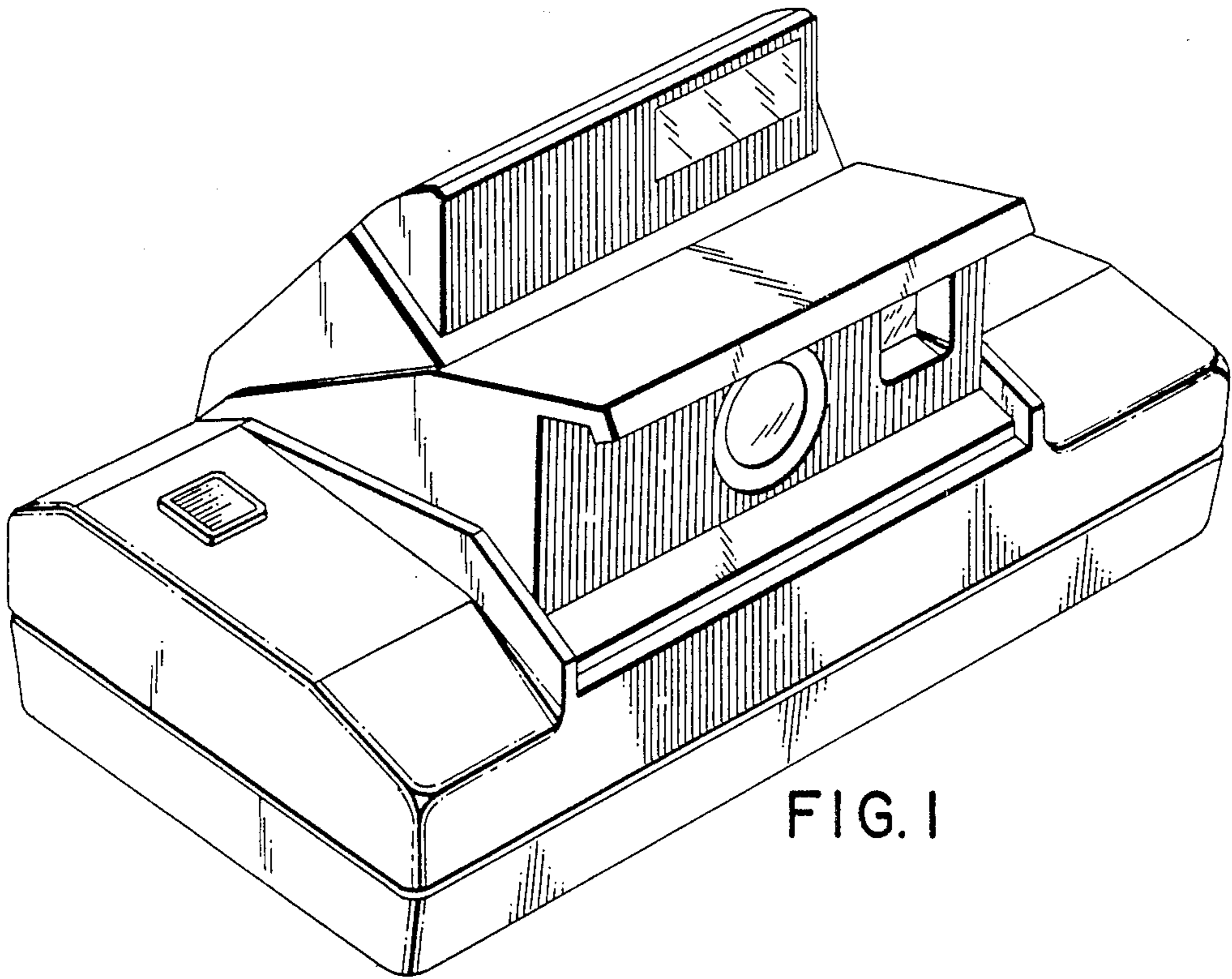


FIG. 1

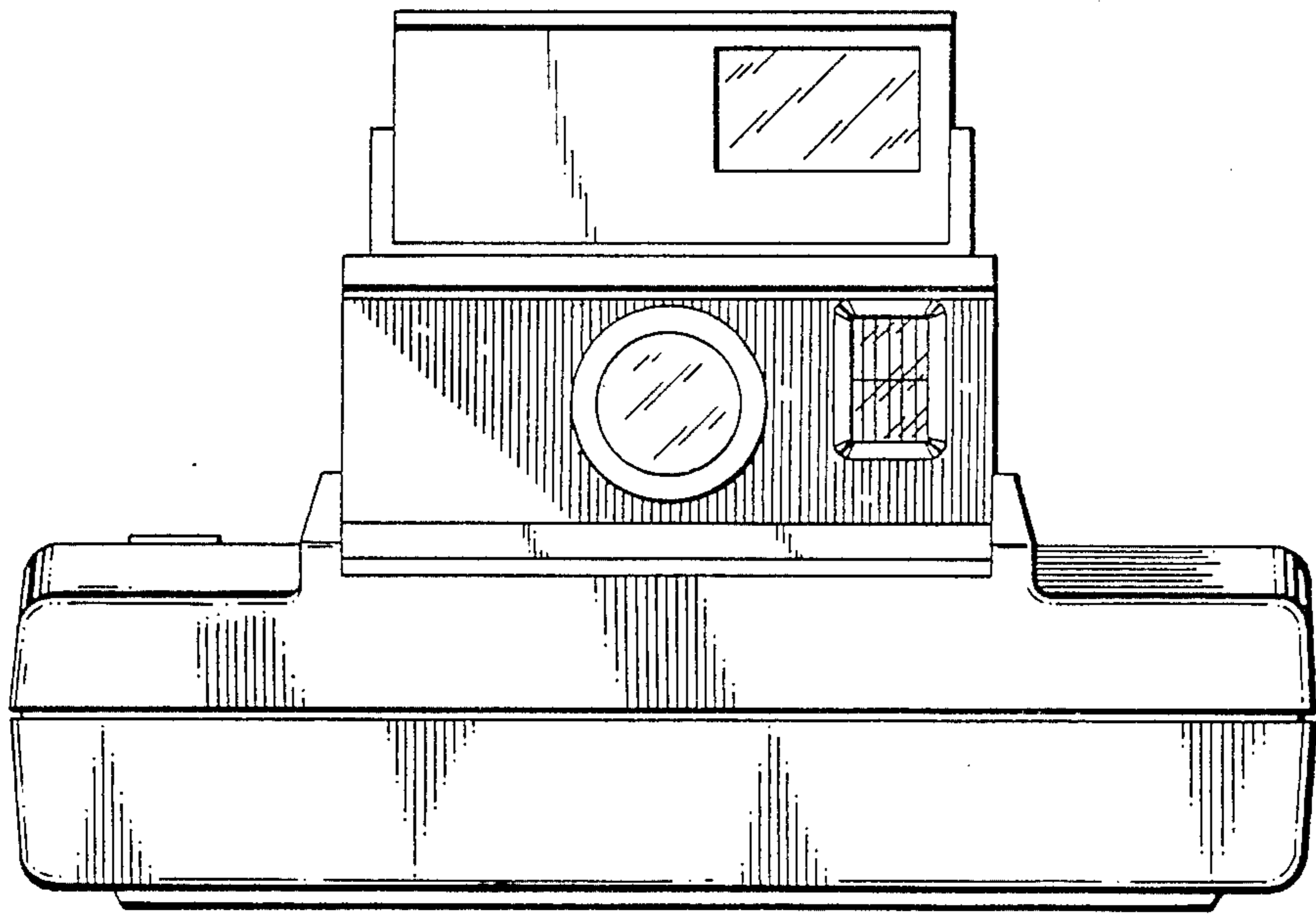


FIG. 2

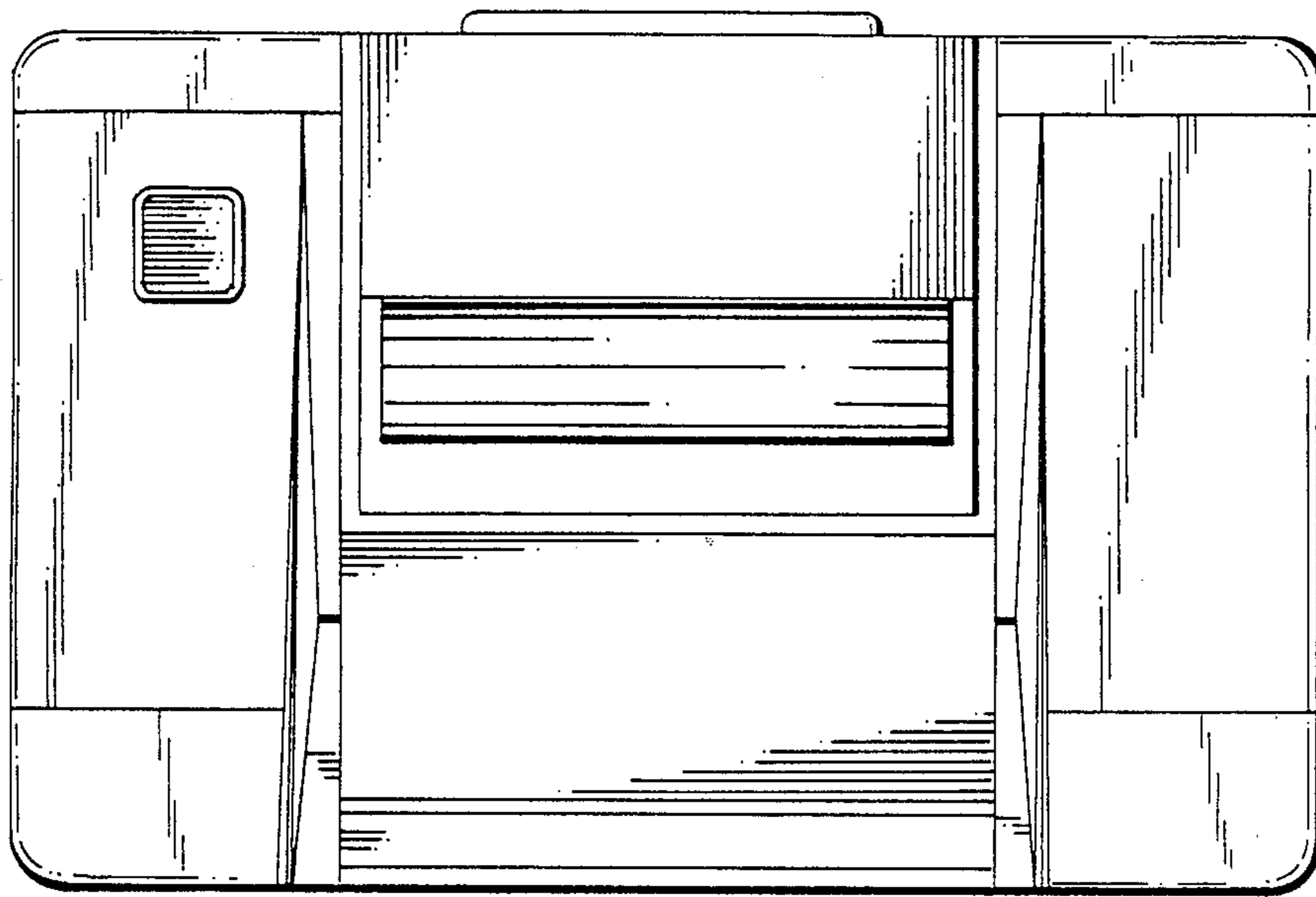


FIG. 3

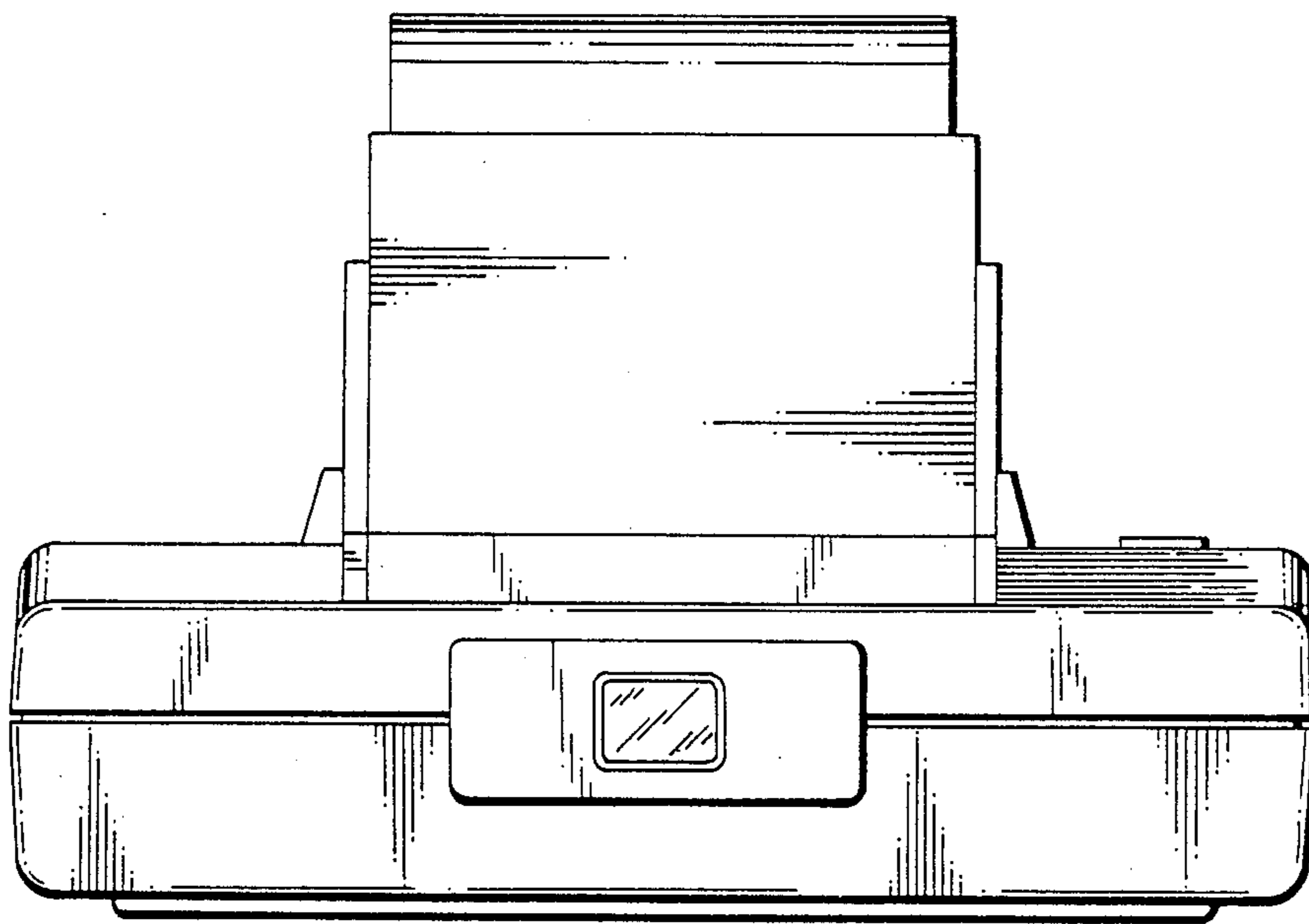


FIG. 4

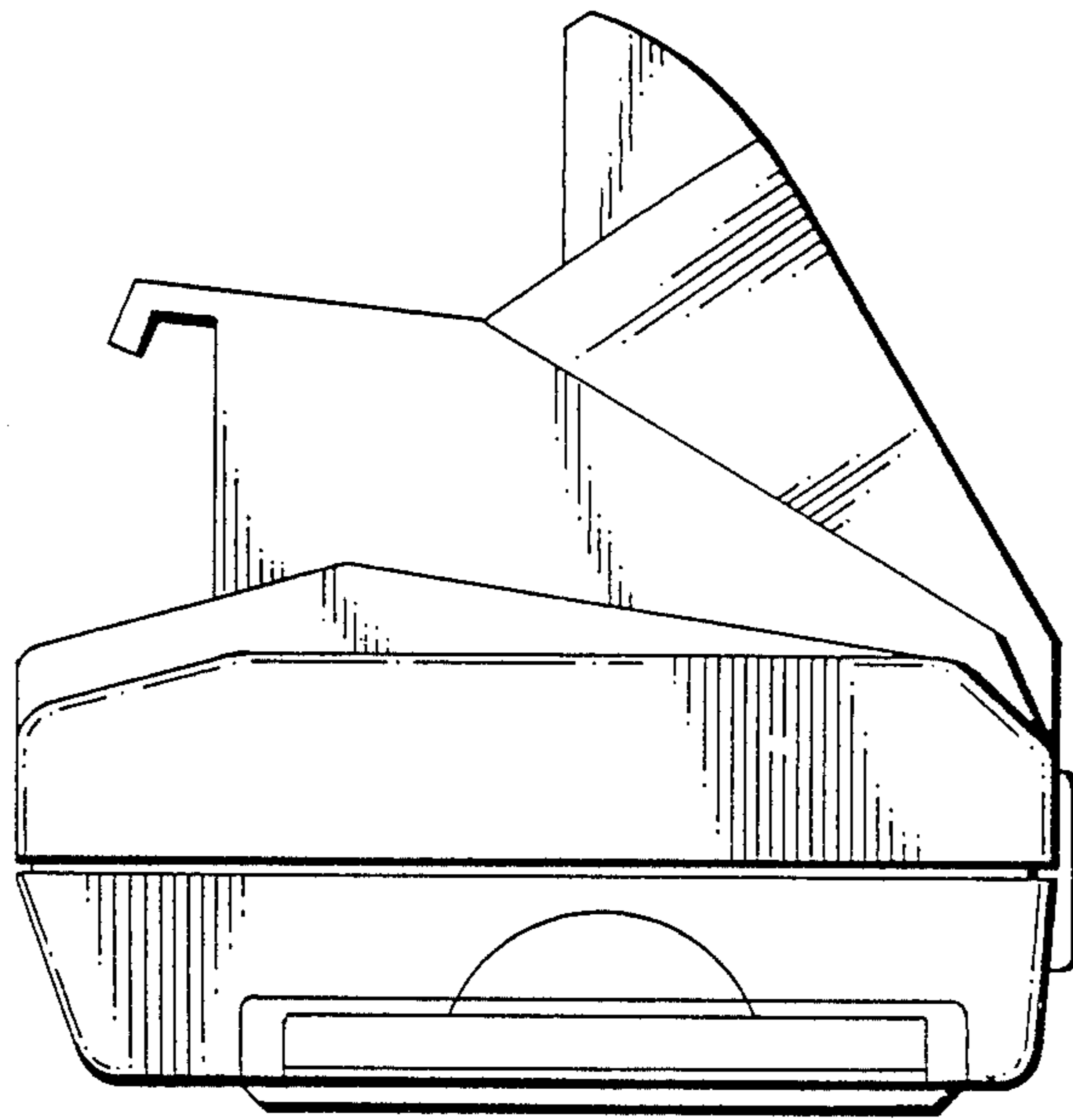


FIG. 5

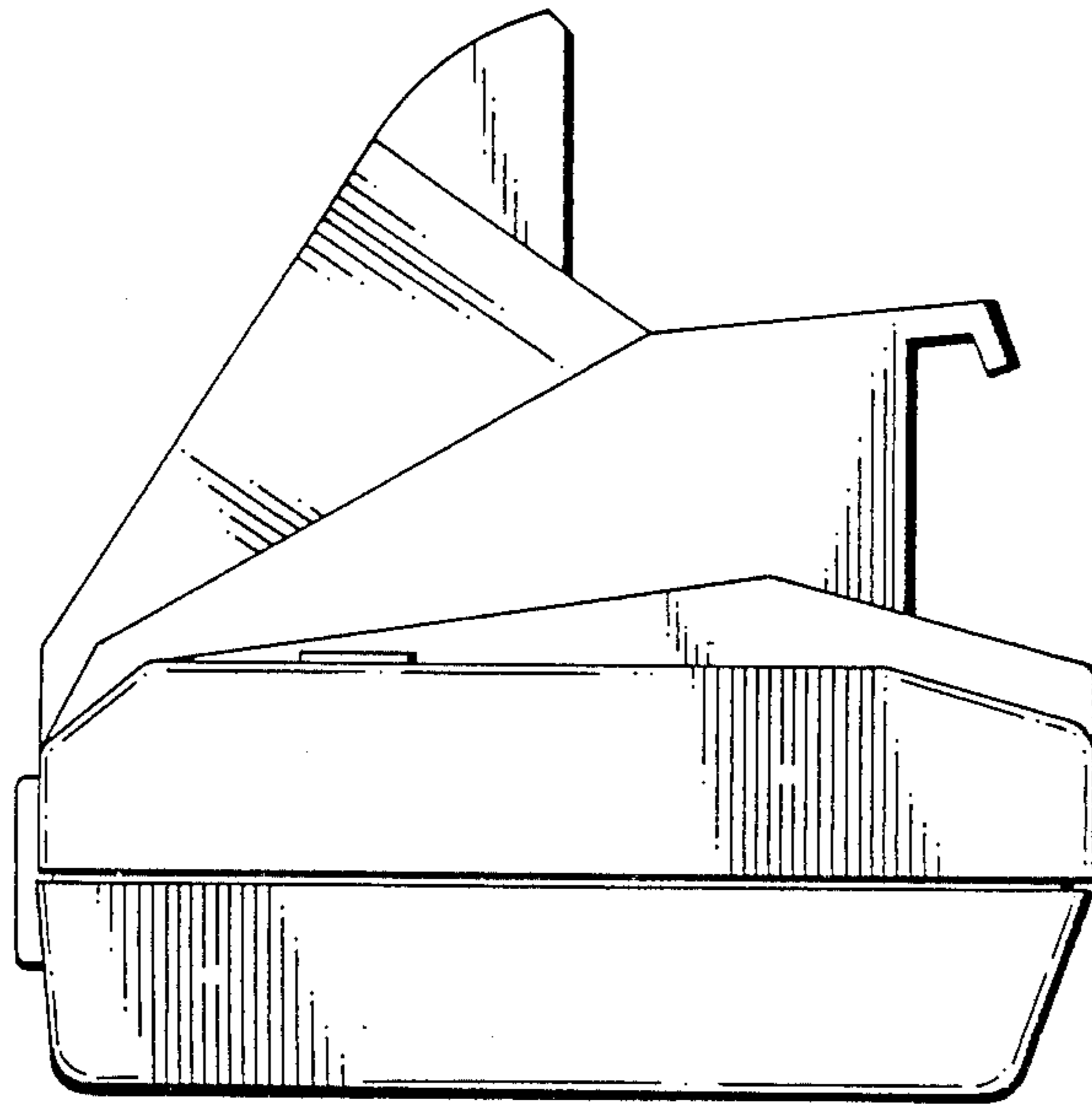


FIG. 6

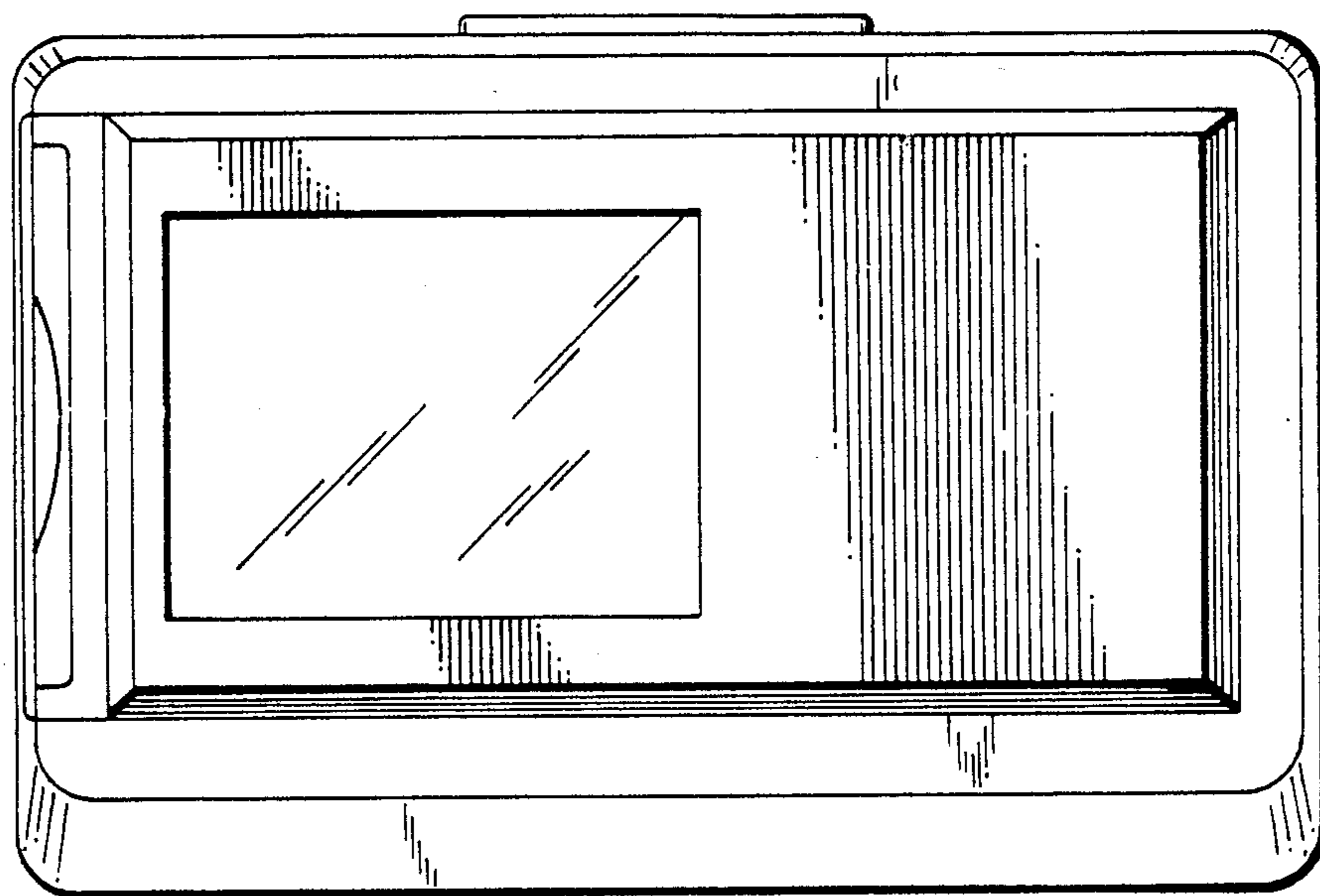


FIG. 7