

[54] AIR COMPRESSOR

[75] Inventor: Alberto Vitaloni, Turin, Italy

[73] Assignee: Balma S.p.A., Italy

[**] Term: 14 Years

[21] Appl. No.: 741,153

[22] Filed: Jun. 4, 1985

[30] Foreign Application Priority Data

Dec. 12, 1984 [IT] Italy 54158/84[U]

[52] U.S. Cl. D15/9

[58] Field of Search D15/7-9;
417/229, 234, 321, 410-411, 572

[56] References Cited

U.S. PATENT DOCUMENTS

- D. 273,789 5/1984 Davis D15/9
- D. 273,958 5/1984 Mariol D15/9
- D. 280,993 10/1985 Mariol D15/9
- D. 281,609 12/1985 Herbst D15/9
- D. 281,691 12/1985 Vitaloni D15/9

Primary Examiner—B. J. Bullock

Assistant Examiner—Brian N. Vinson
Attorney, Agent, or Firm—Robbins & Laramie

[57] CLAIM

The ornamental design for an air compressor, as shown and described.

DESCRIPTION

FIG. 1 is a top perspective view of an air compressor showing my new design;
 FIG. 2 is a right side elevational view thereof;
 FIG. 3 is a top plan view thereof;
 FIG. 4 is a bottom plan view thereof;
 FIG. 5 is a left side elevational view thereof;
 FIG. 6 is a rear elevational view thereof;
 FIG. 7 is a front elevational view thereof;
 FIG. 8 is a top perspective view thereof, with the handle shown rotated to an alternative position;
 FIG. 9 is a right side elevational view of FIG. 8;
 FIG. 10 is a top plan view of FIG. 8;
 FIG. 11 is a bottom plan view of FIG. 8;
 FIG. 12 is a left side elevational view of FIG. 8;
 FIG. 13 is a rear elevational view of FIG. 8; and
 FIG. 14 is a front elevational view of FIG. 8.

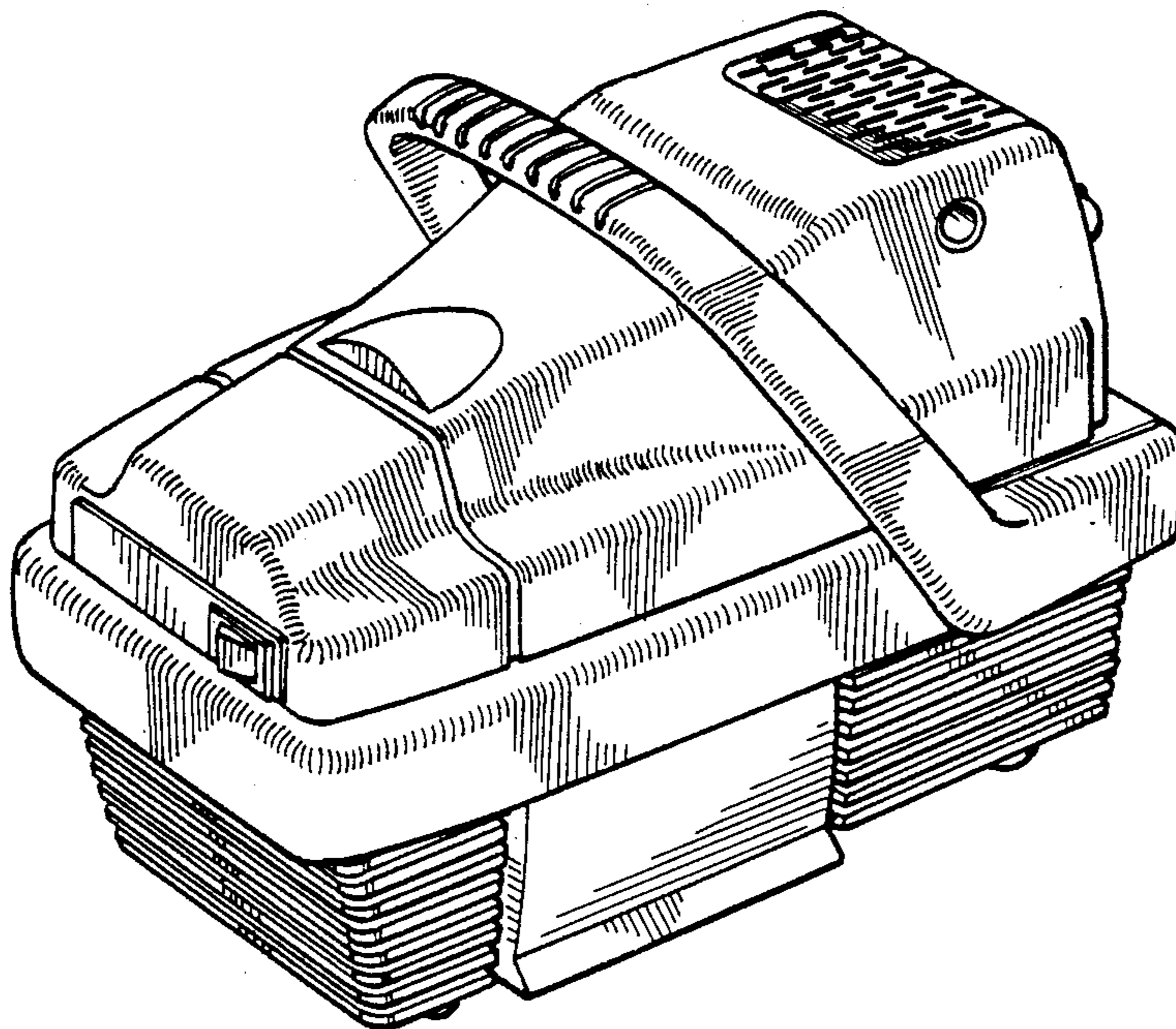


FIG. 1

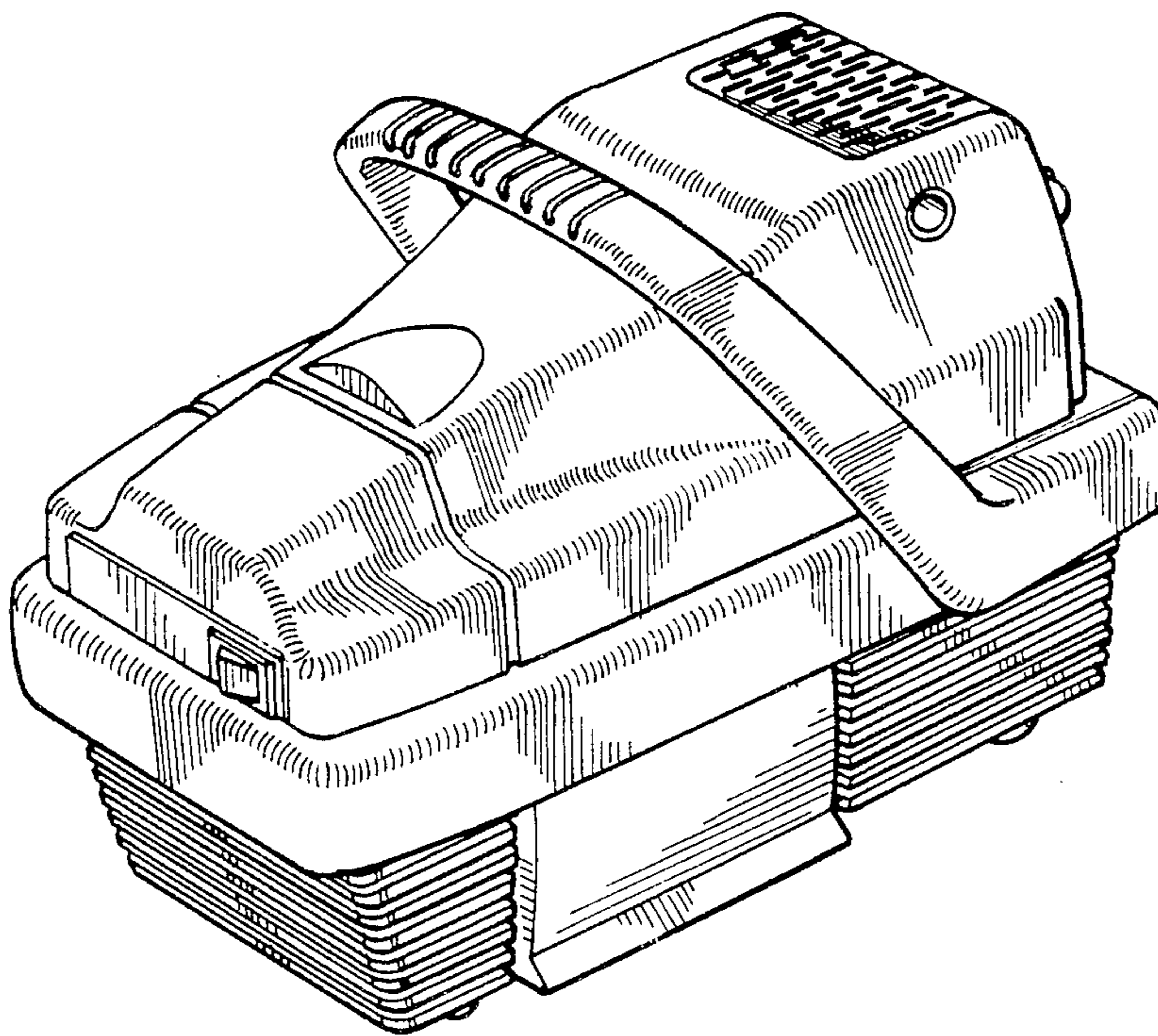


FIG. 2

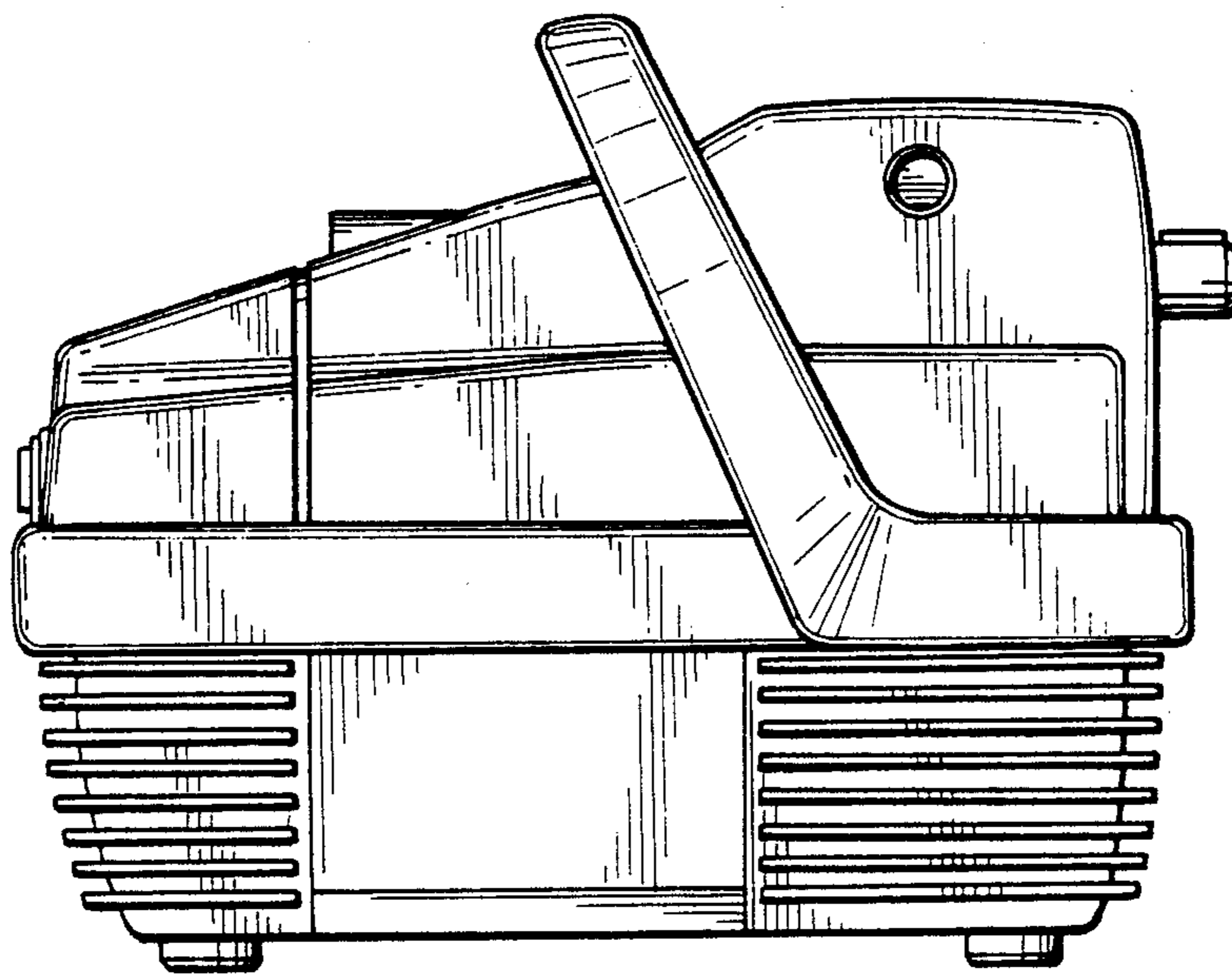


FIG. 3

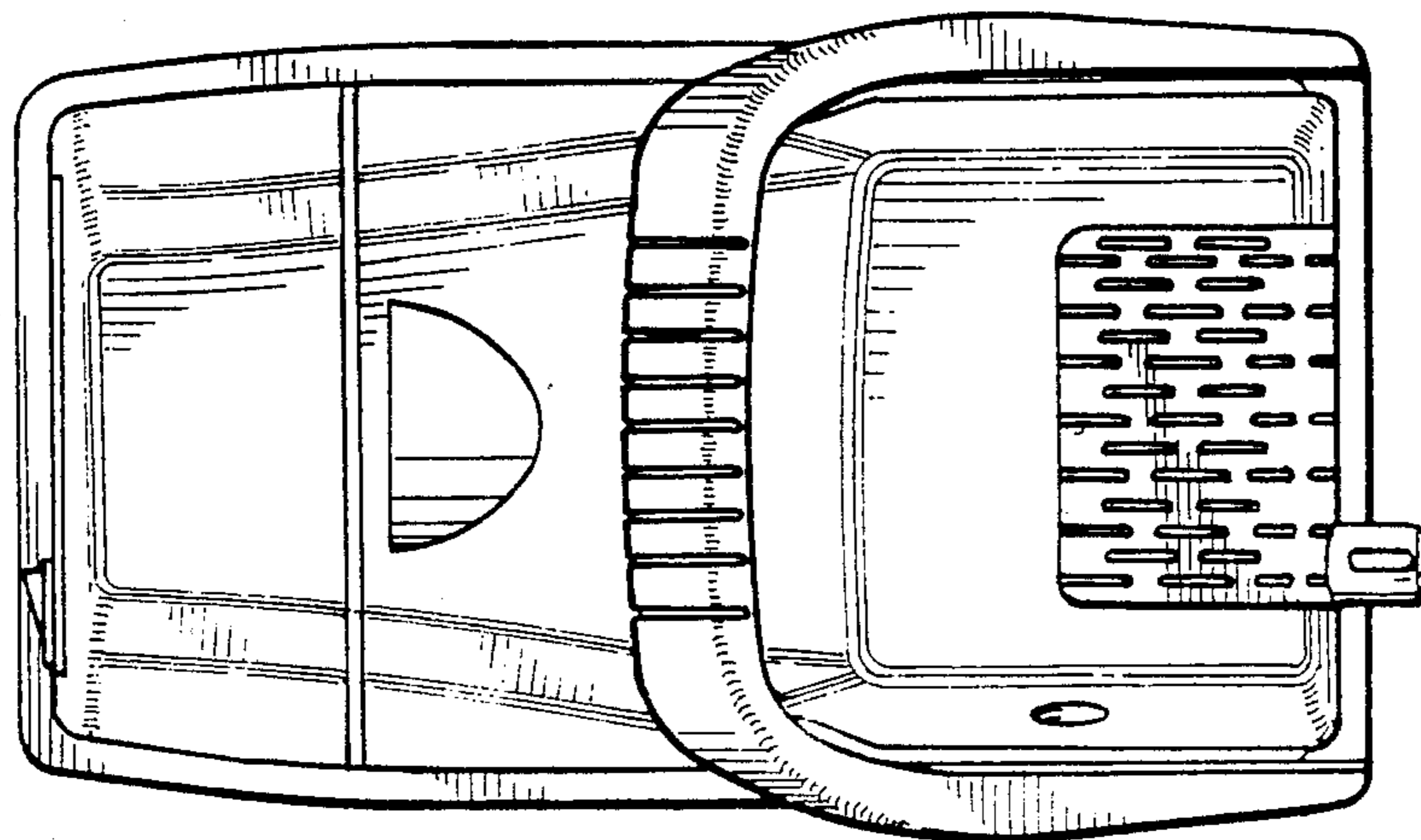


FIG. 4

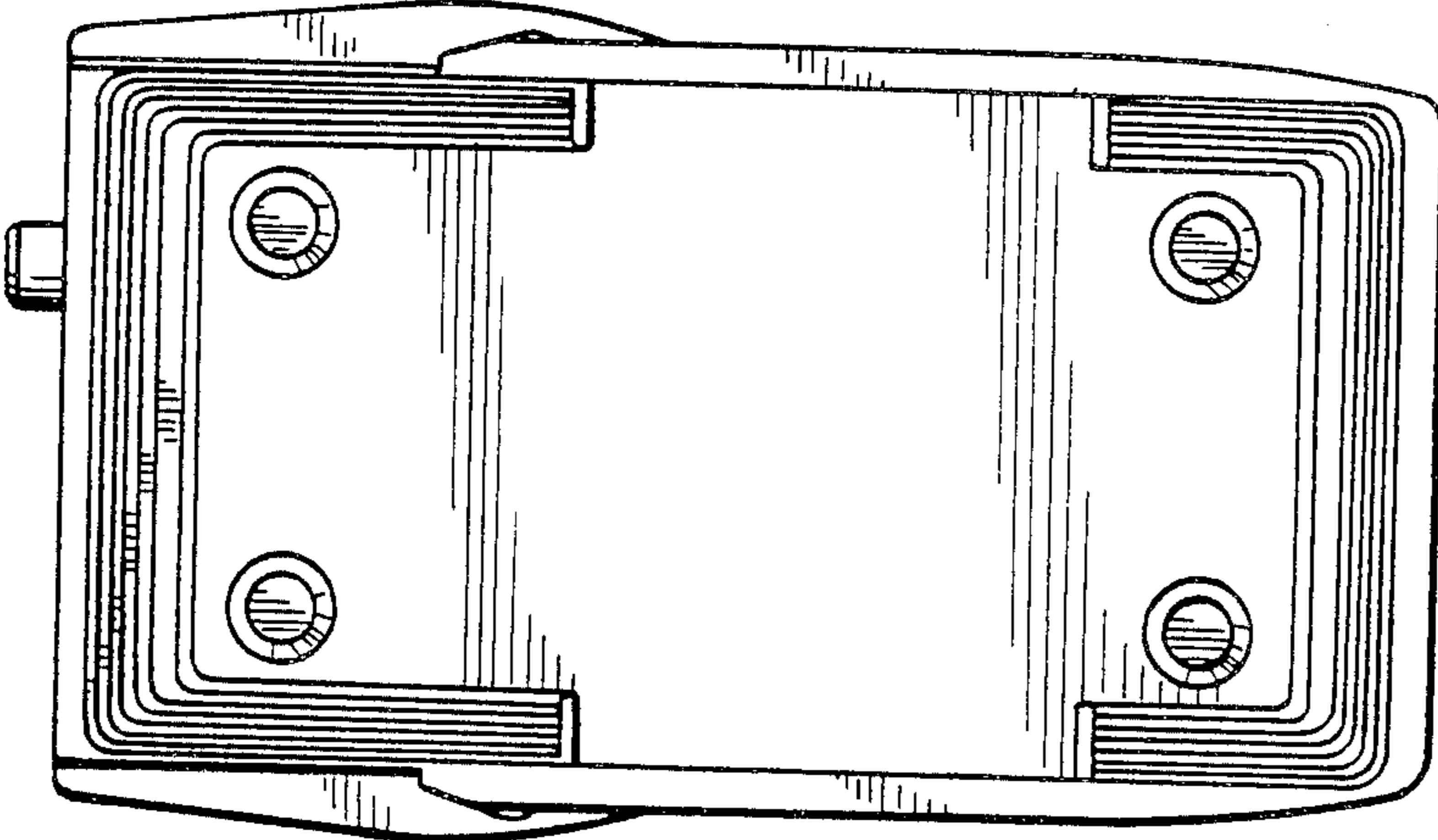


FIG. 5

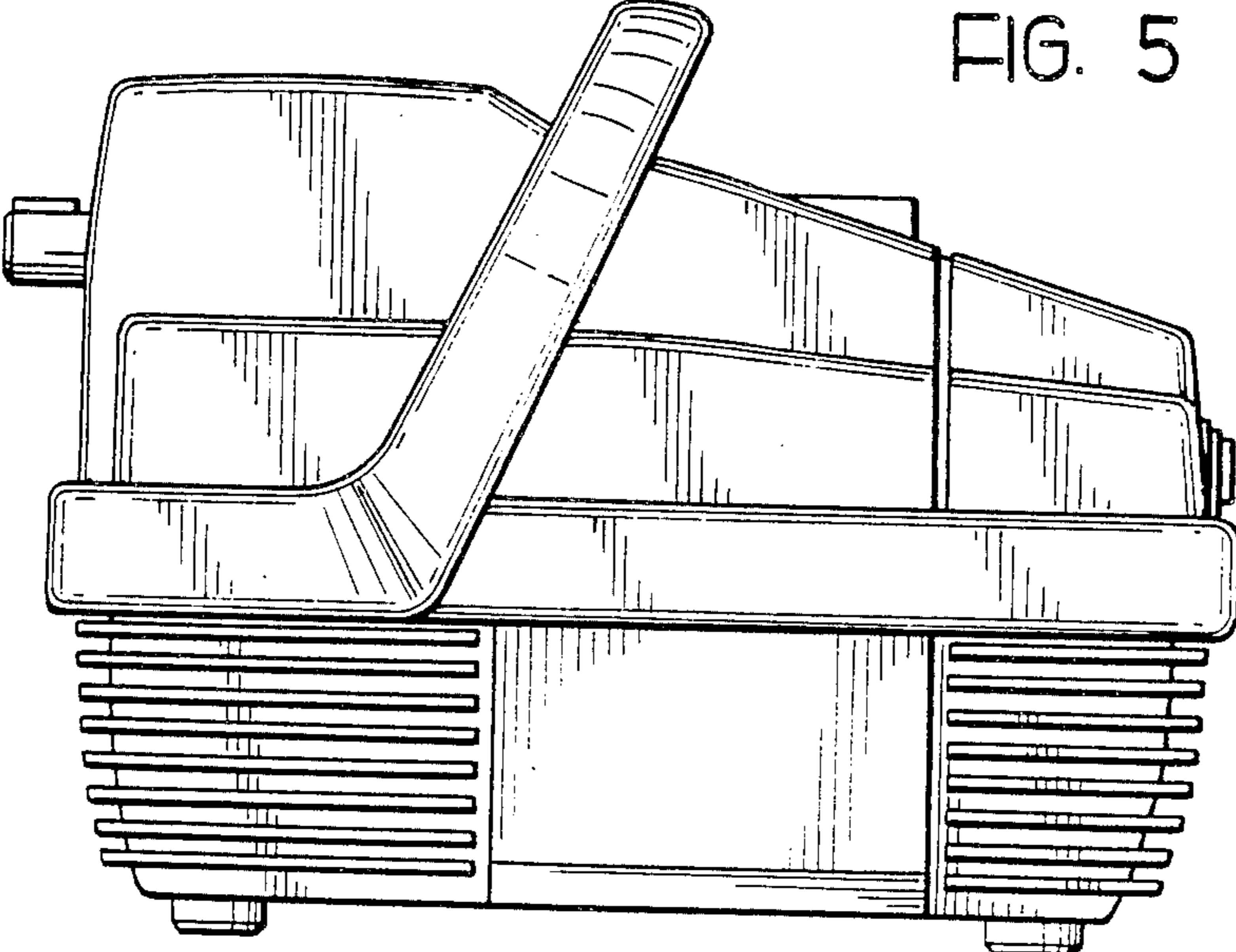


FIG. 6

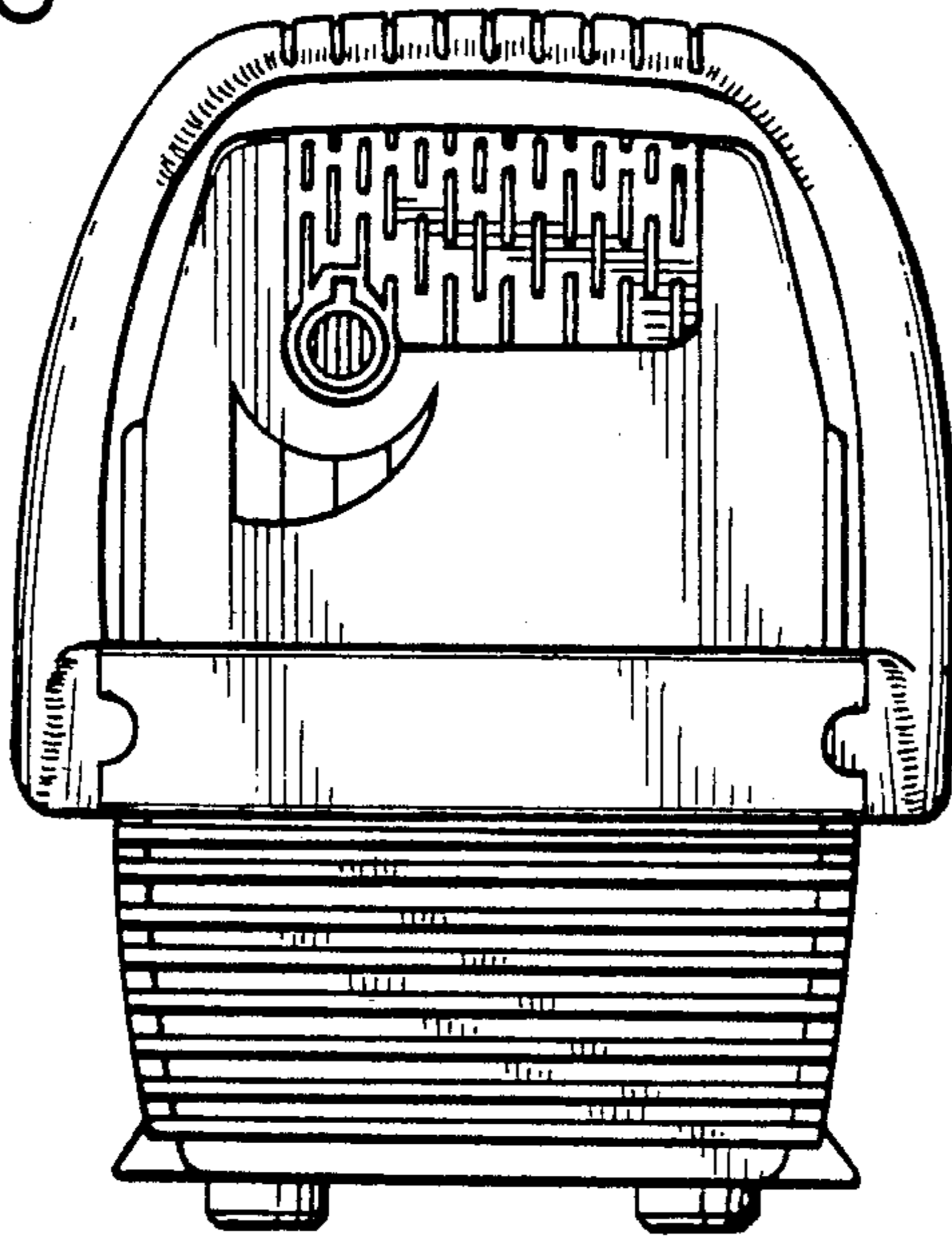


FIG. 7

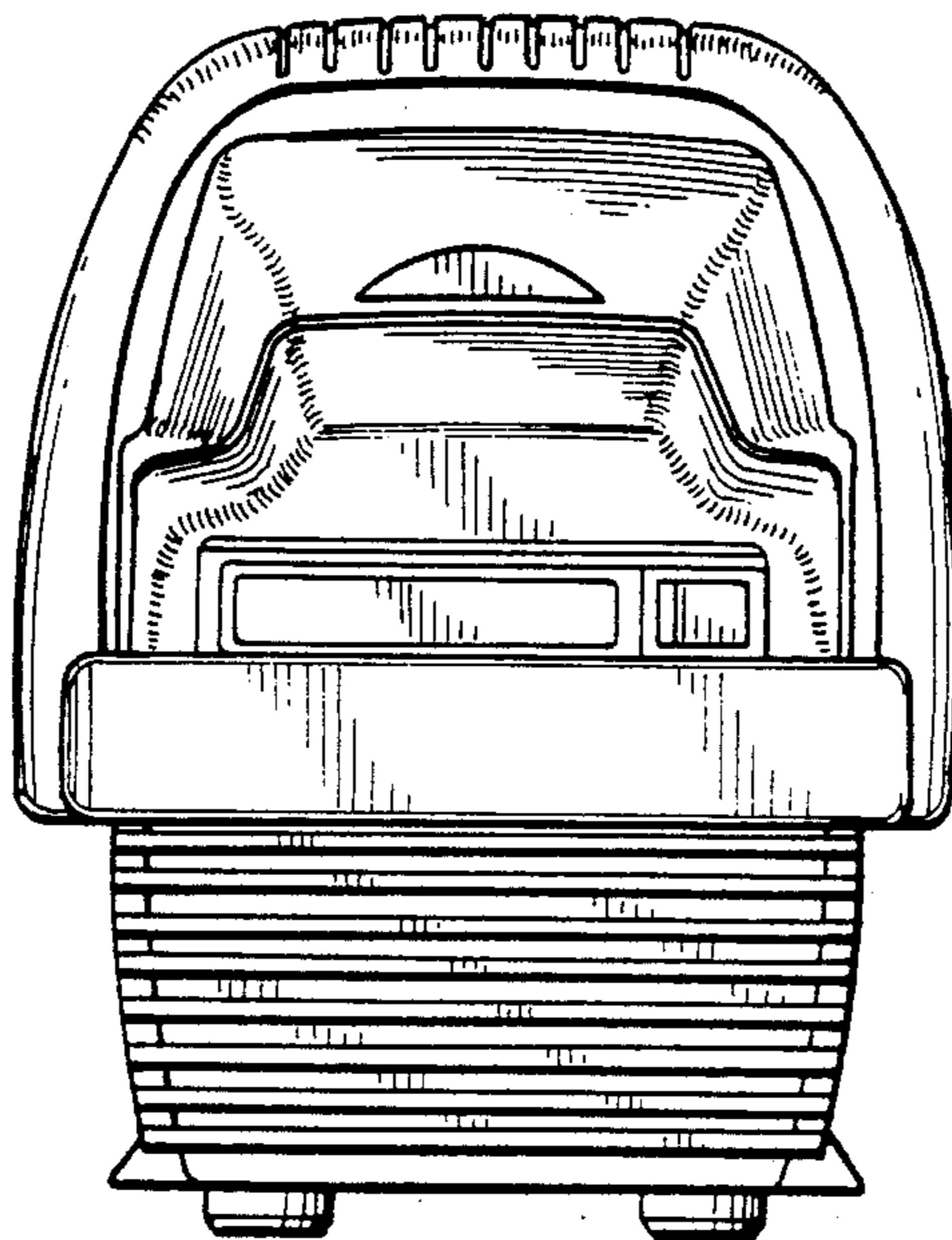


FIG. 8

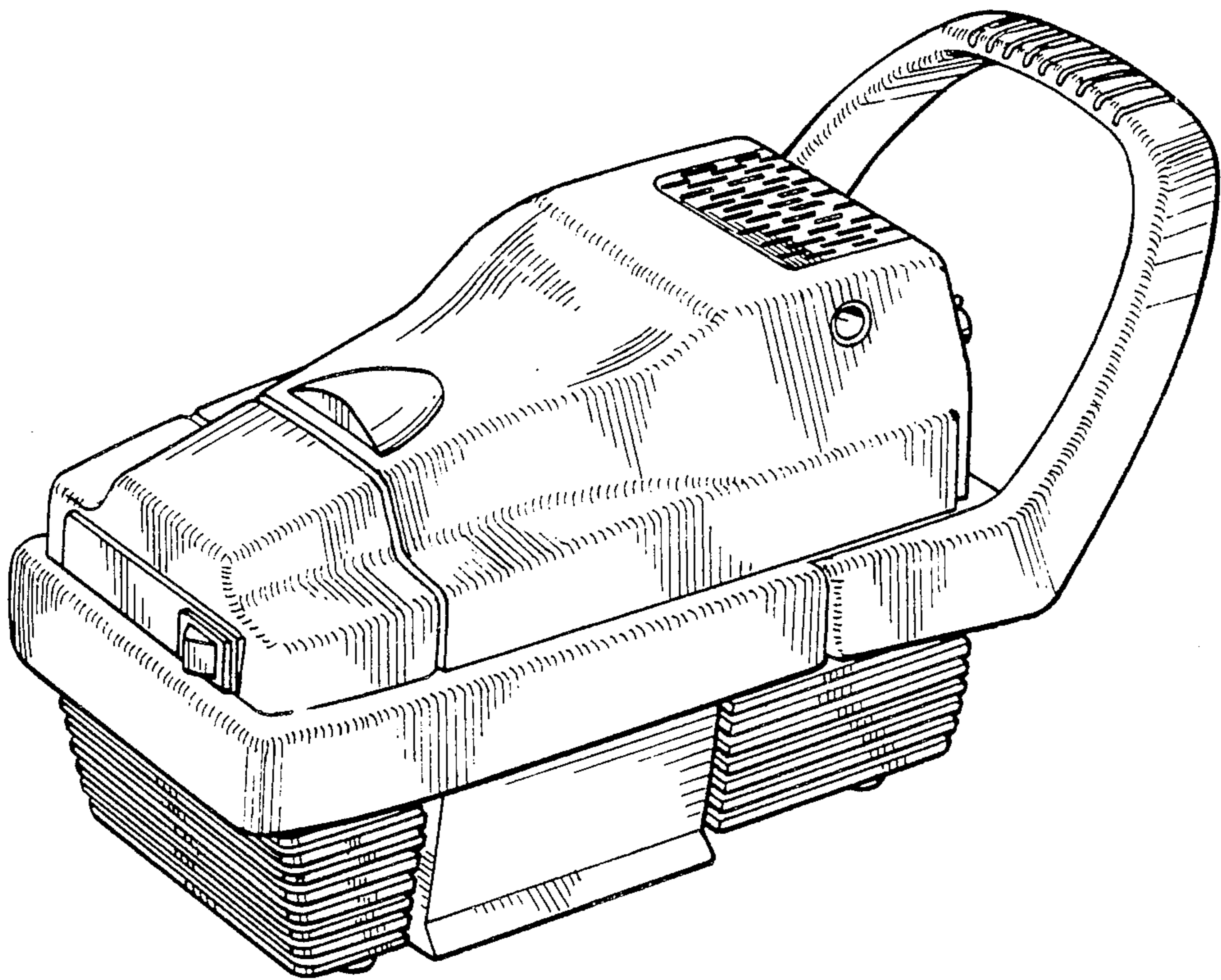


FIG. 9

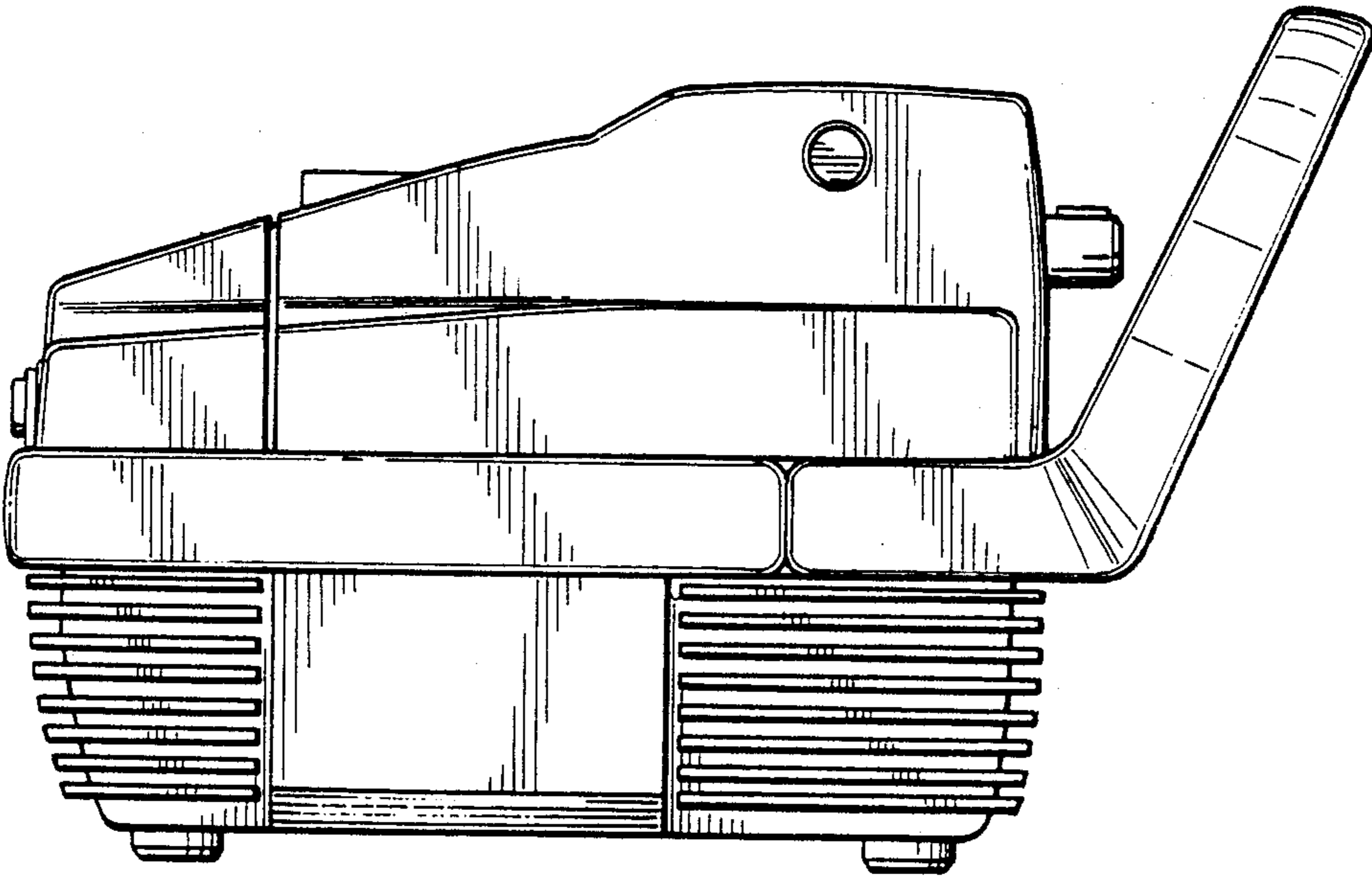


FIG. 10

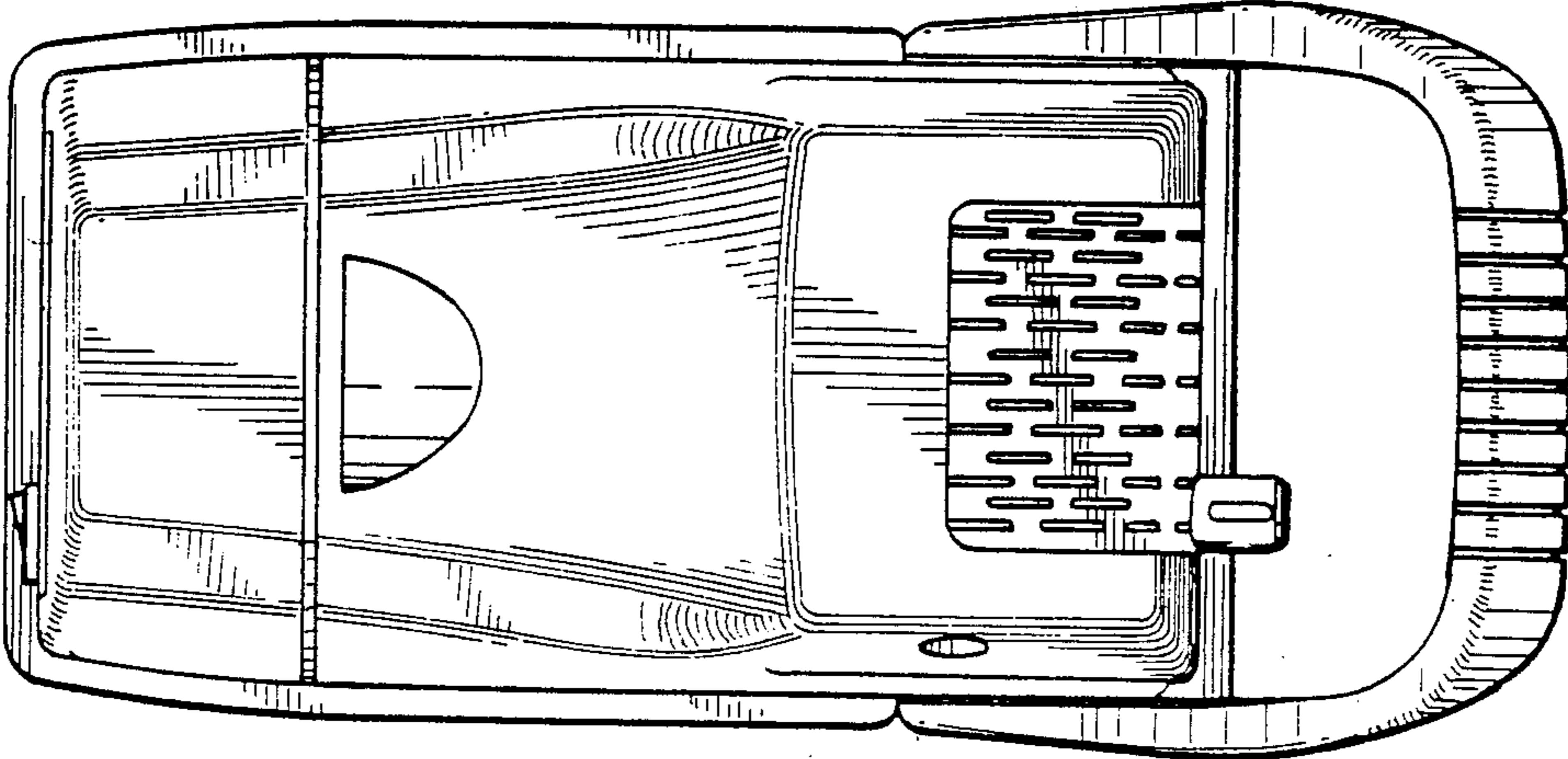


FIG. 11

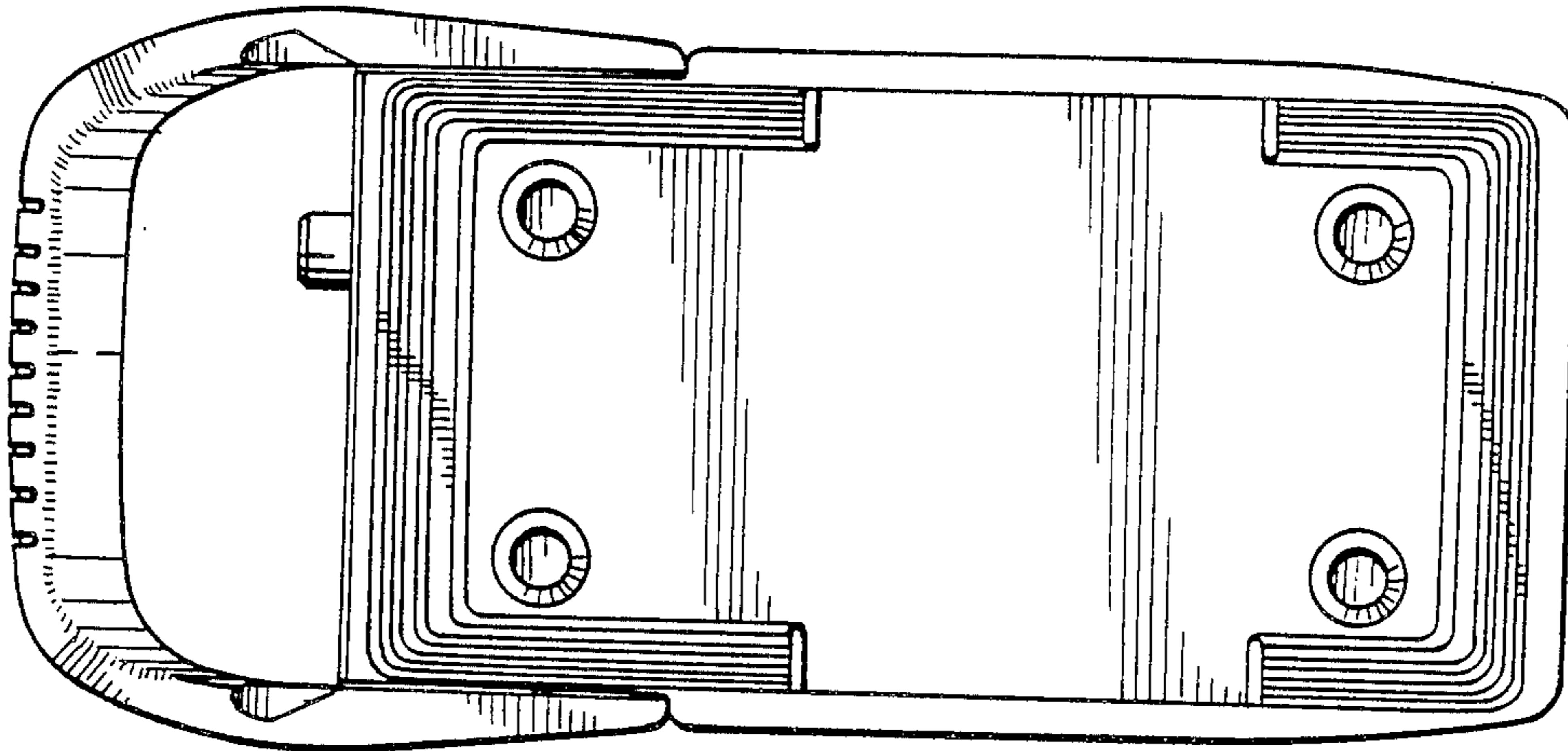


FIG. 12

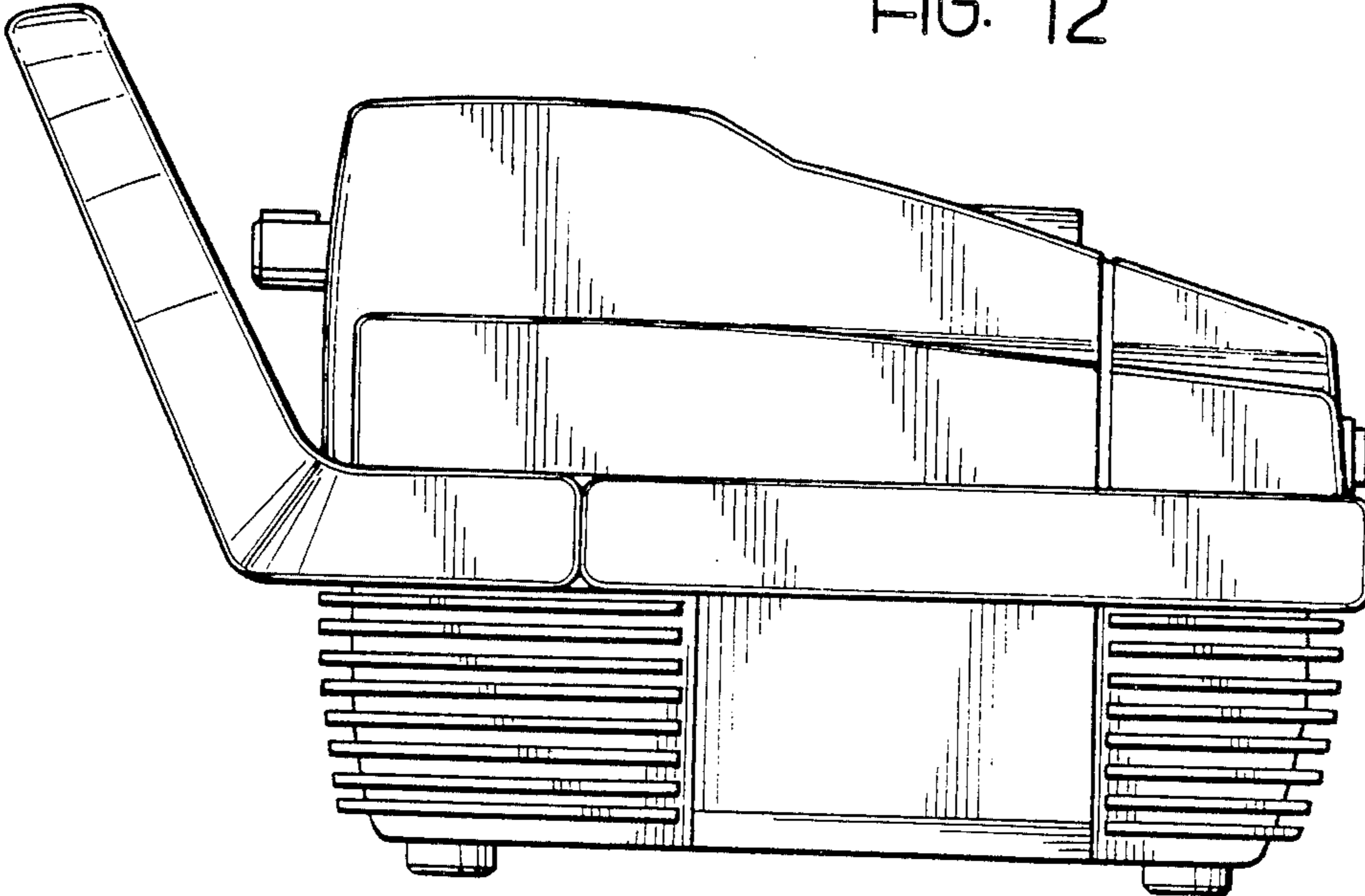


FIG. 13

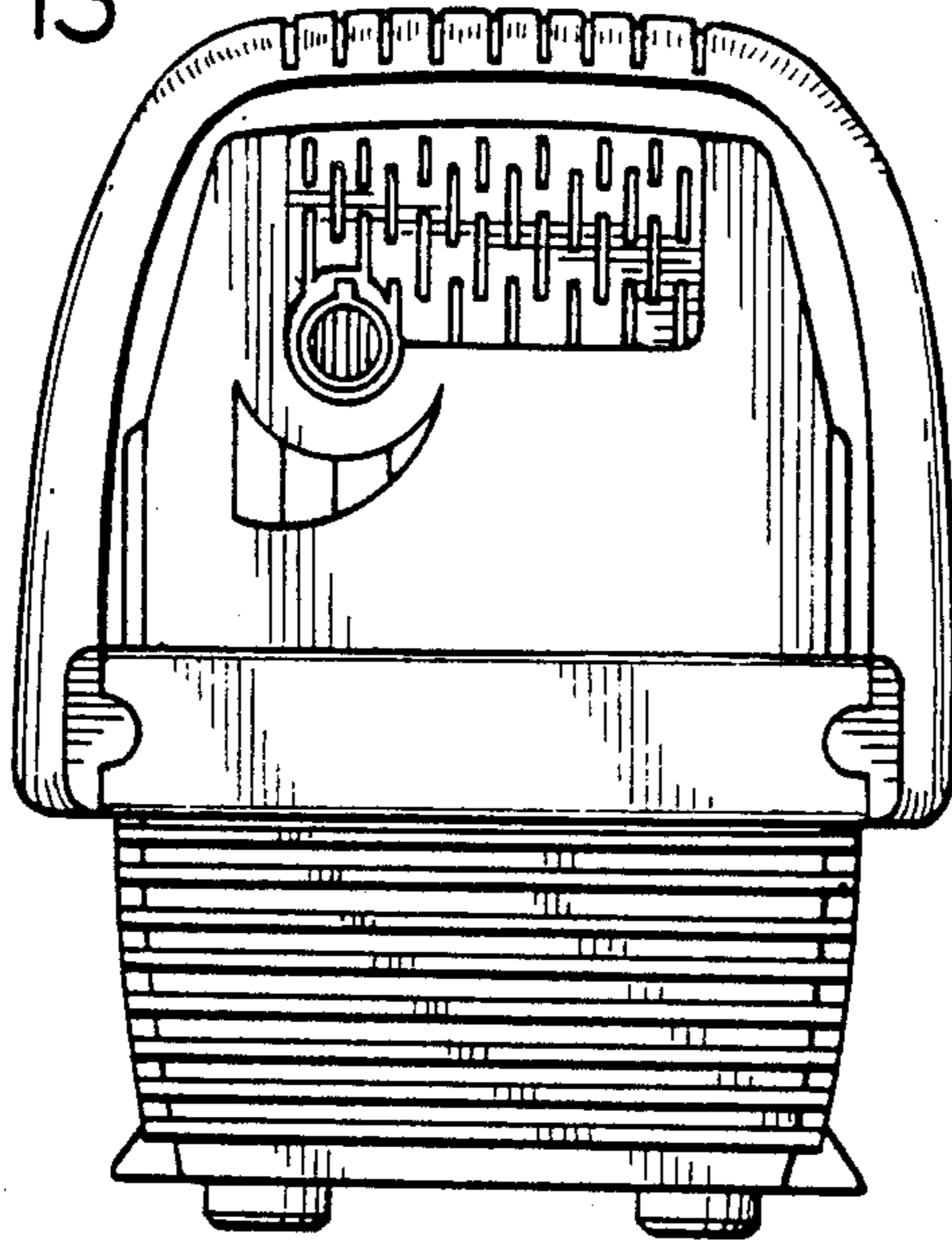


FIG. 14

