

[54] COMBINED VACUUM PUMP AND CONTROL VALVES THEREFOR

[75] Inventor: Teruo Kanno, Tokyo, Japan

[73] Assignee: Myotoku Ltd., Japan

[*] Notice: The portion of the term of this patent subsequent to Apr. 5, 2002 has been disclaimed.

[**] Term: 14 Years

[21] Appl. No.: 791,418

[22] Filed: Oct. 25, 1985

[52] U.S. Cl. D15/7

[58] Field of Search D15/7-9; 294/64.1, 64.2, 65.6

[56] References Cited

U.S. PATENT DOCUMENTS

- D. 215,883 11/1969 Svenson D15/7
- D. 268,759 4/1983 Hoebeke D15/5
- D. 271,586 11/1983 Ise 294/64.1
- D. 271,587 11/1983 Ise 294/64.1

- D. 280,727 9/1985 Rumbarger, Jr. et al. D15/7
- 4,600,363 7/1986 Ise et al. 294/64.2

OTHER PUBLICATIONS

Myotoku LTD's CAT 0002, "CVA. Conuum", 10/1981, pp. 1, 2, 3 and cover.

Primary Examiner—B. J. Bullock

Assistant Examiner—Brian N. Vinson

Attorney, Agent, or Firm—Biebel, French & Nauman

[57] CLAIM

The ornamental design for combined vacuum pump and control valves therefor, substantially as shown.

DESCRIPTION

FIG. 1 is a top perspective view of a combined vacuum pump and control valves therefor showing my new design;

FIG. 2 is a left side elevational view thereof;

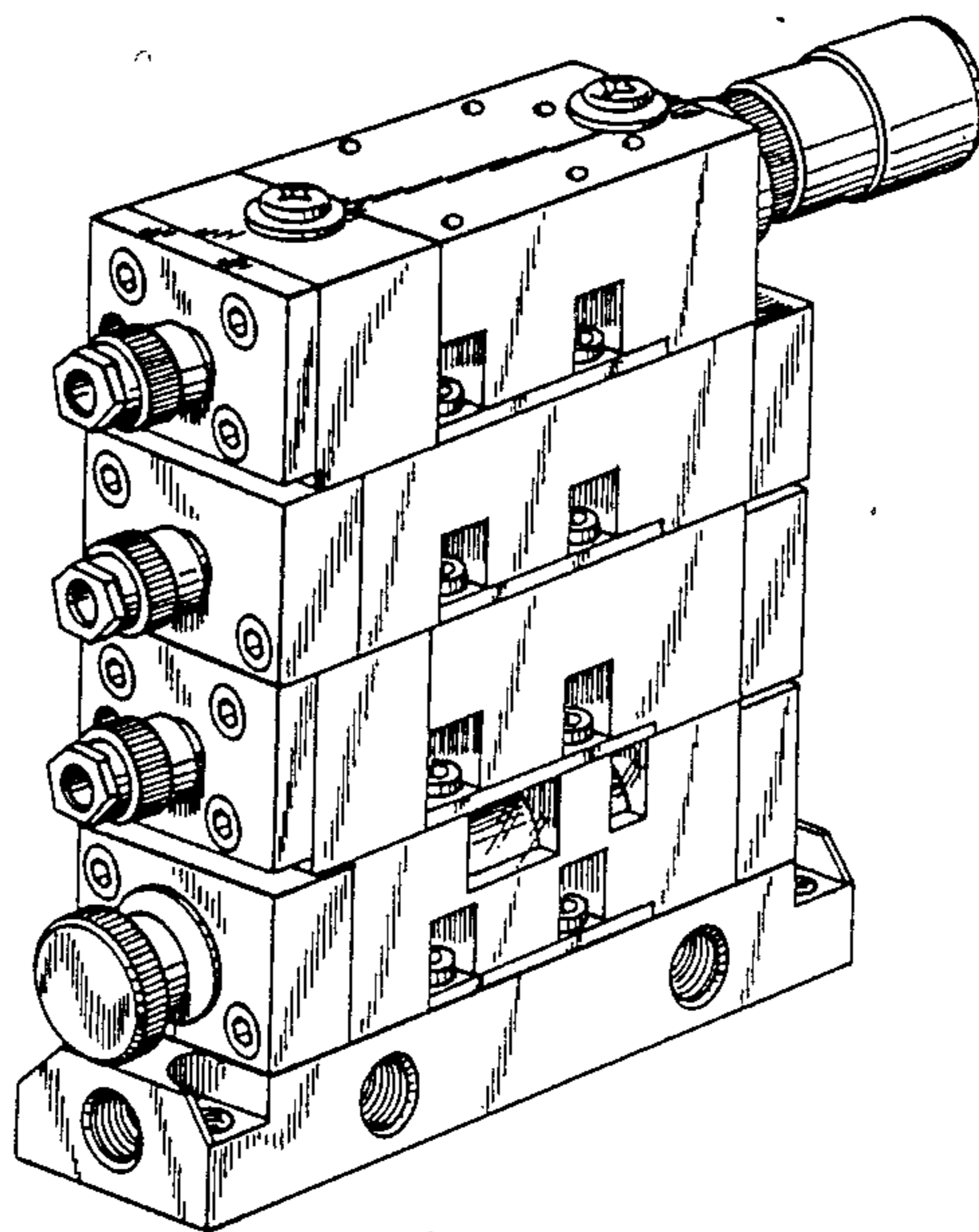
FIG. 3 is a right side elevational view thereof;

FIG. 4 is a top plan view thereof;

FIG. 5 is a bottom plan view thereof;

FIG. 6 is a rear elevational view thereof; and

FIG. 7 is a front elevational view thereof.



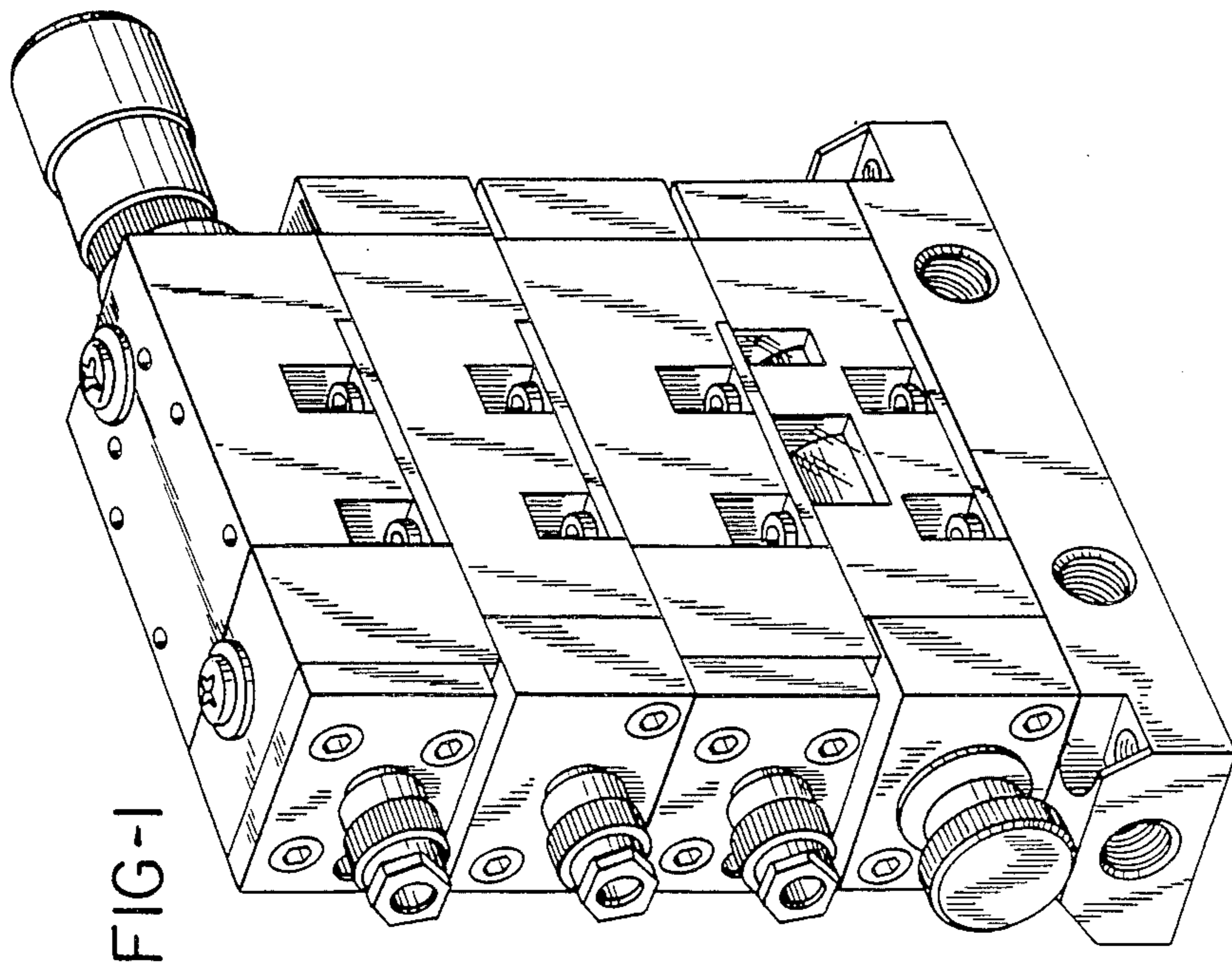
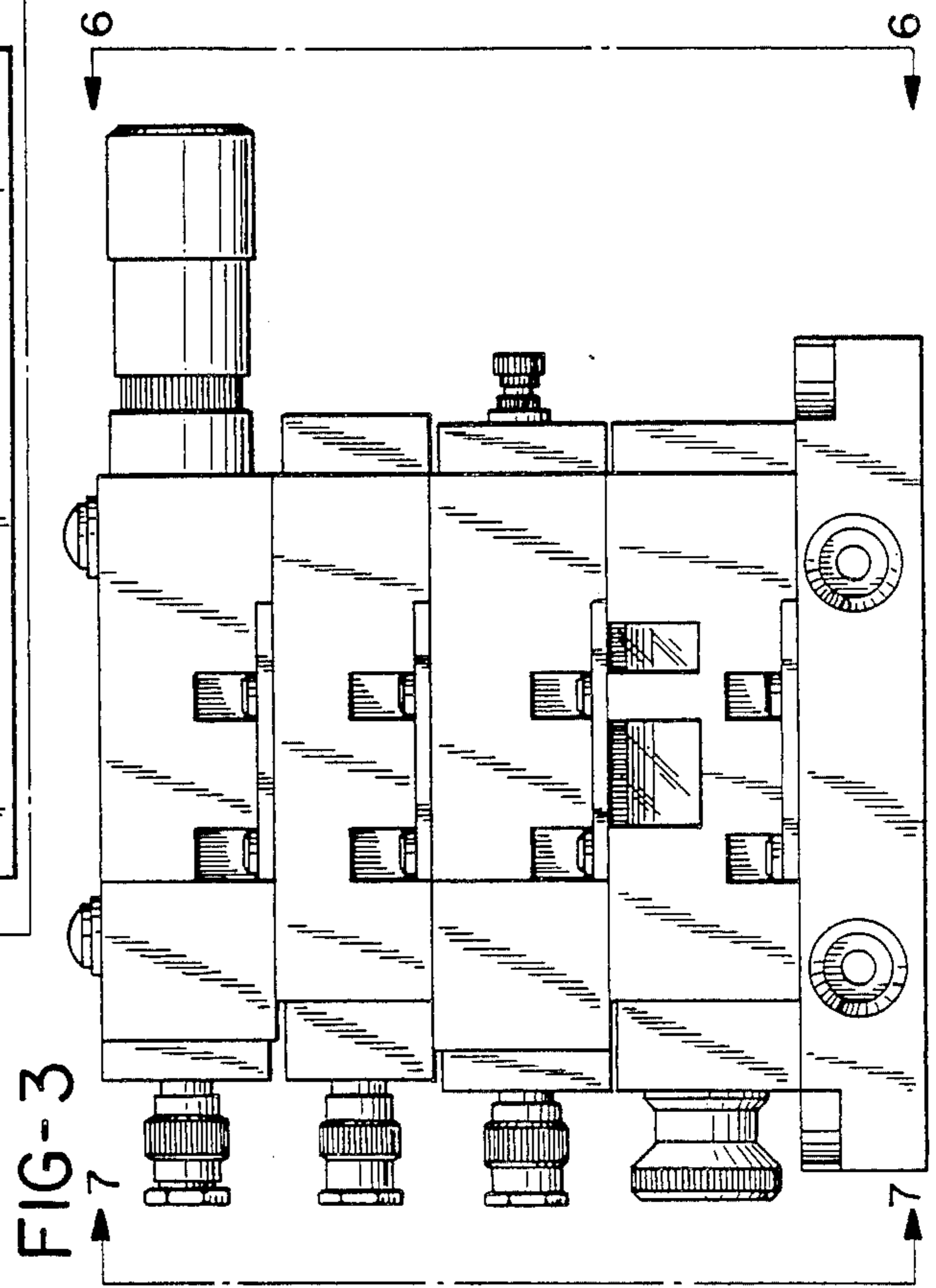
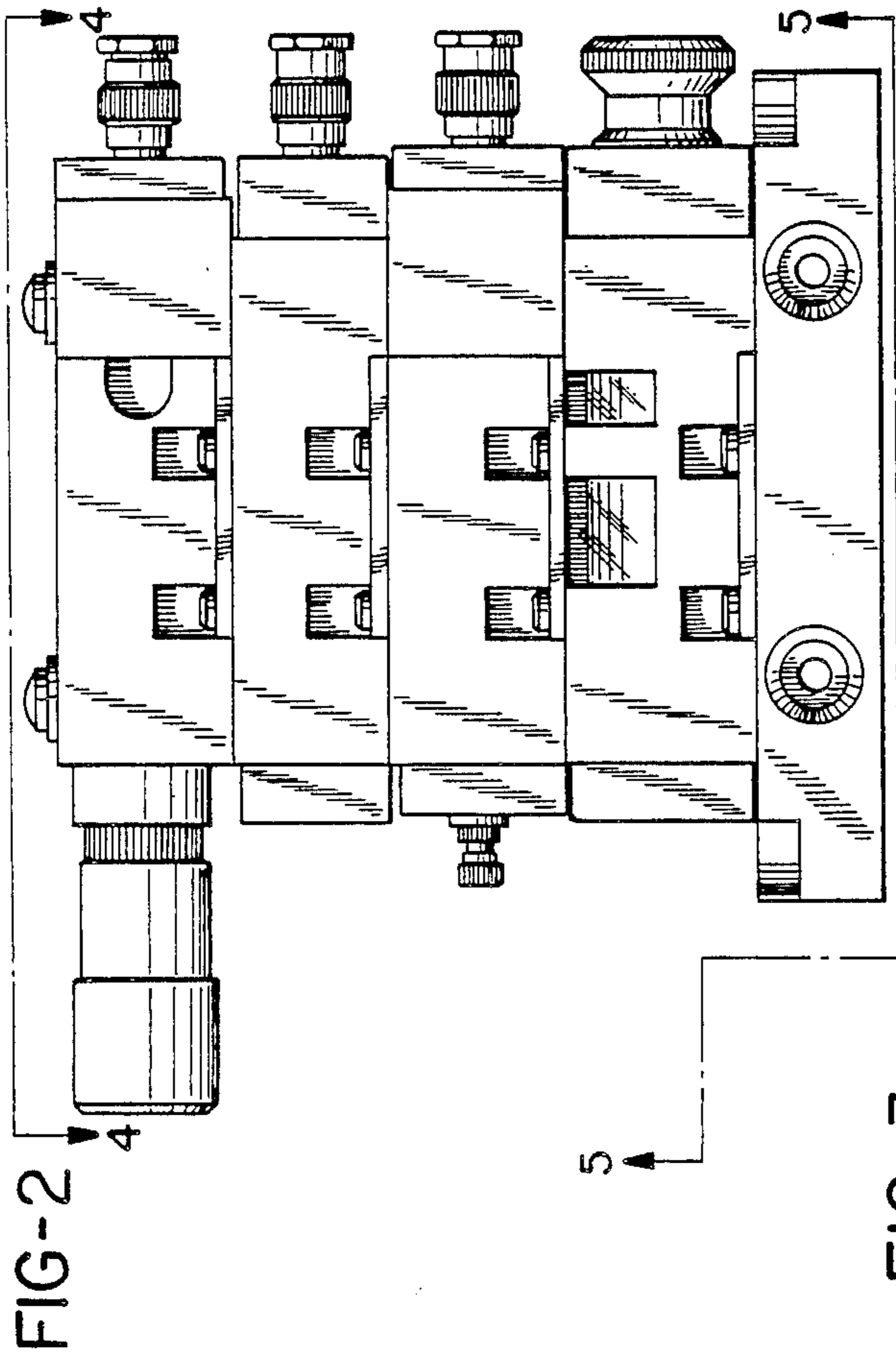


FIG-4

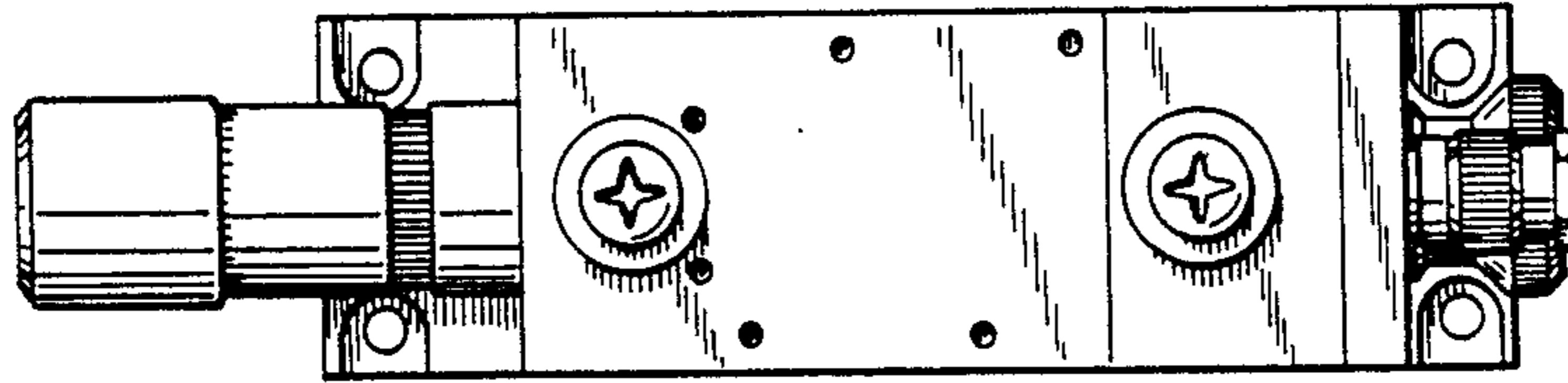


FIG-5

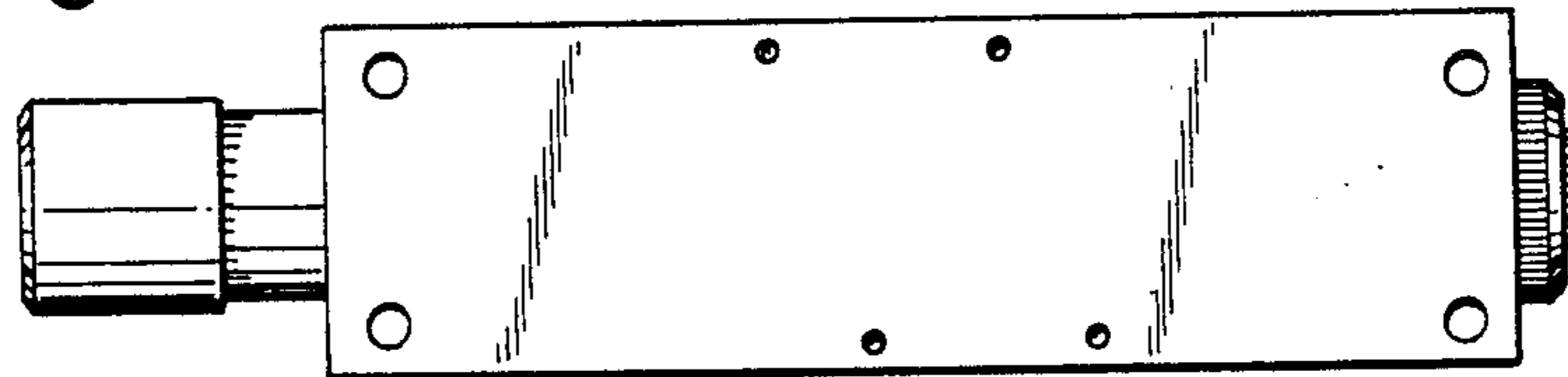


FIG-6

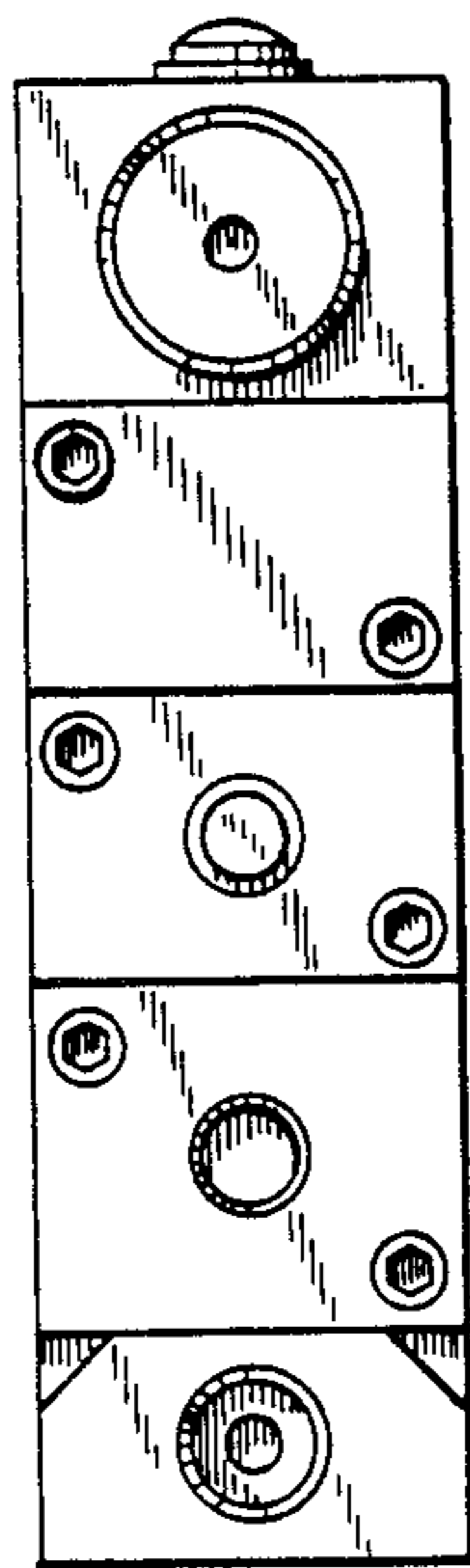


FIG-7

