

[54] COMBINATION CASE FOR A CELLULAR TELEPHONE AND HOUSING FOR THE TELEPHONE

[76] Inventor: Kenneth D. Wolstone, P.O. Box 51, Lathrup Village, Mich. 48075-0051

[**] Term: 14 Years

[21] Appl. No.: 892,413

[22] Filed: Aug. 4, 1986

[52] U.S. Cl. D14/52; D14/64; D14/59

[58] Field of Search D14/52, 53, 56, 60, D14/61, 64, 59; 379/419, 420, 432, 440, 436, 433, 428, 434

[56] References Cited

U.S. PATENT DOCUMENTS

D. 142,873	11/1945	Knorr	D14/53
D. 211,645	7/1968	Perkins	D14/53
D. 220,960	6/1971	Heribertson	D14/53
D. 263,702	4/1982	Fukushima et al.	D14/56 X
D. 263,704	4/1982	Fukushima et al.	D14/56 X
D. 264,078	4/1982	Fukushima et al.	D14/56 X
D. 267,318	12/1982	Fukushima et al.	D14/58 X
D. 270,534	9/1983	Bloem, Sr.	D14/53
D. 277,179	1/1985	Specht	D14/53
D. 277,481	2/1985	Gallant et al.	D14/52 X
D. 283,707	5/1986	Goodin et al.	D14/56 X
4,646,344	2/1987	Goldhorn et al.	379/439

Primary Examiner—James M. Gandy
Assistant Examiner—Horace B. Fay, Jr.
Attorney, Agent, or Firm—Gifford, Groh, VanOphem, Sheridan, Sprinkle and Dolgorukov

[57] CLAIM

The ornamental design of a combination case for a cellular telephone and housing for the telephone, as shown and described.

DESCRIPTION

FIG. 1 is a left side, top and front perspective view of a combination case for a cellular telephone and housing for the telephone, showing my new design in opened position;

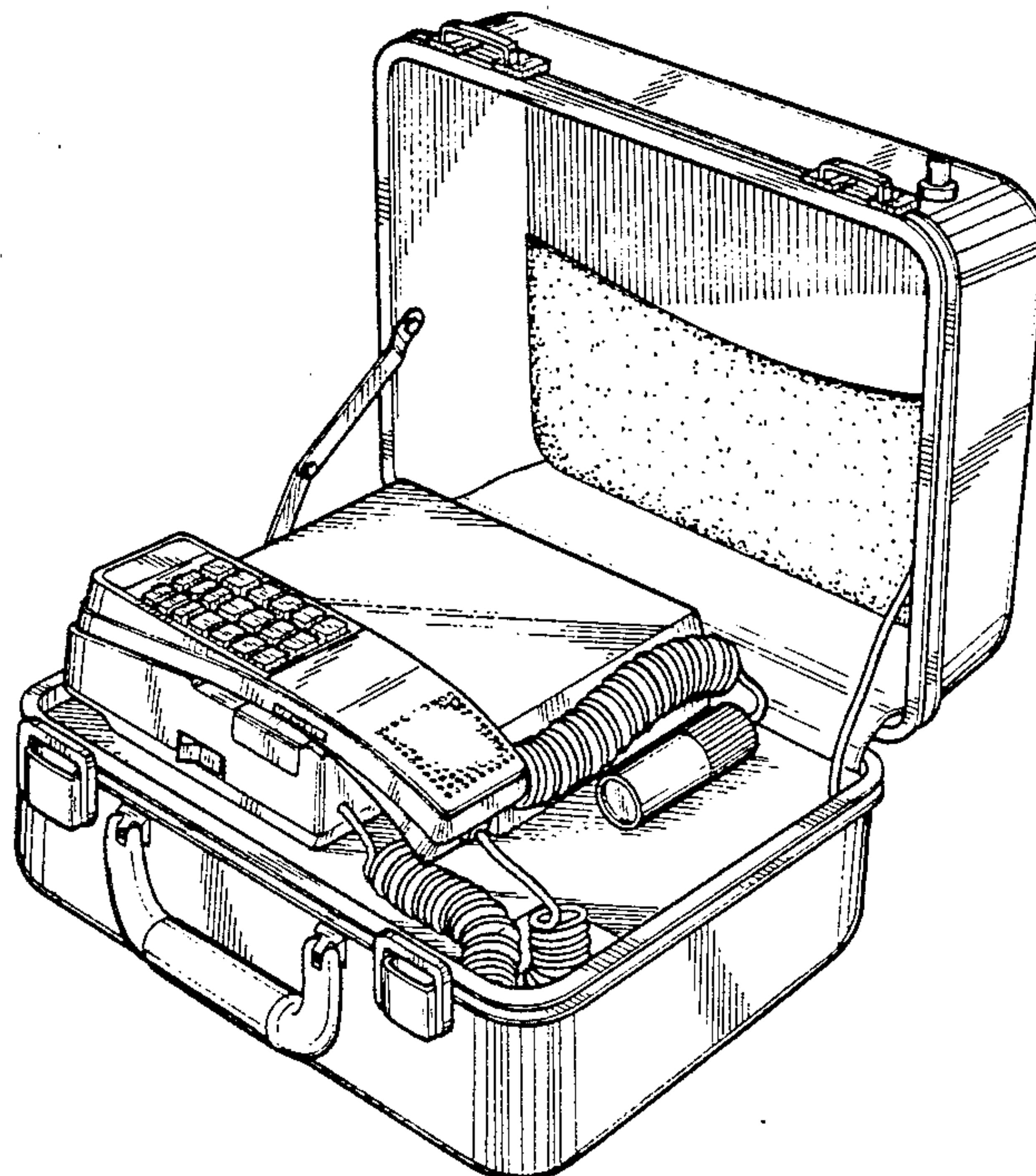
FIG. 2 is a front top and right side perspective view thereof in an opened position;

FIG. 3 is a top plan view thereof in an opened position; and,

FIG. 4 is a front elevational view thereof in an opened position.

It is to be understood that the undisclosed top and bottom sides of the case, and the rear of the case, are plain and unarrayed. It is also understood that the undisclosed side of the telephone opposite to that shown in FIGS. 1, 2 and 3 is substantially similar to the view shown.

The apertures in the speaker grill in the back of the handset shown in FIGS. 1, 2 and 3 are shown incompletely for ease of illustration, but it is understood that the apertures fill the entire square pattern of the grill.



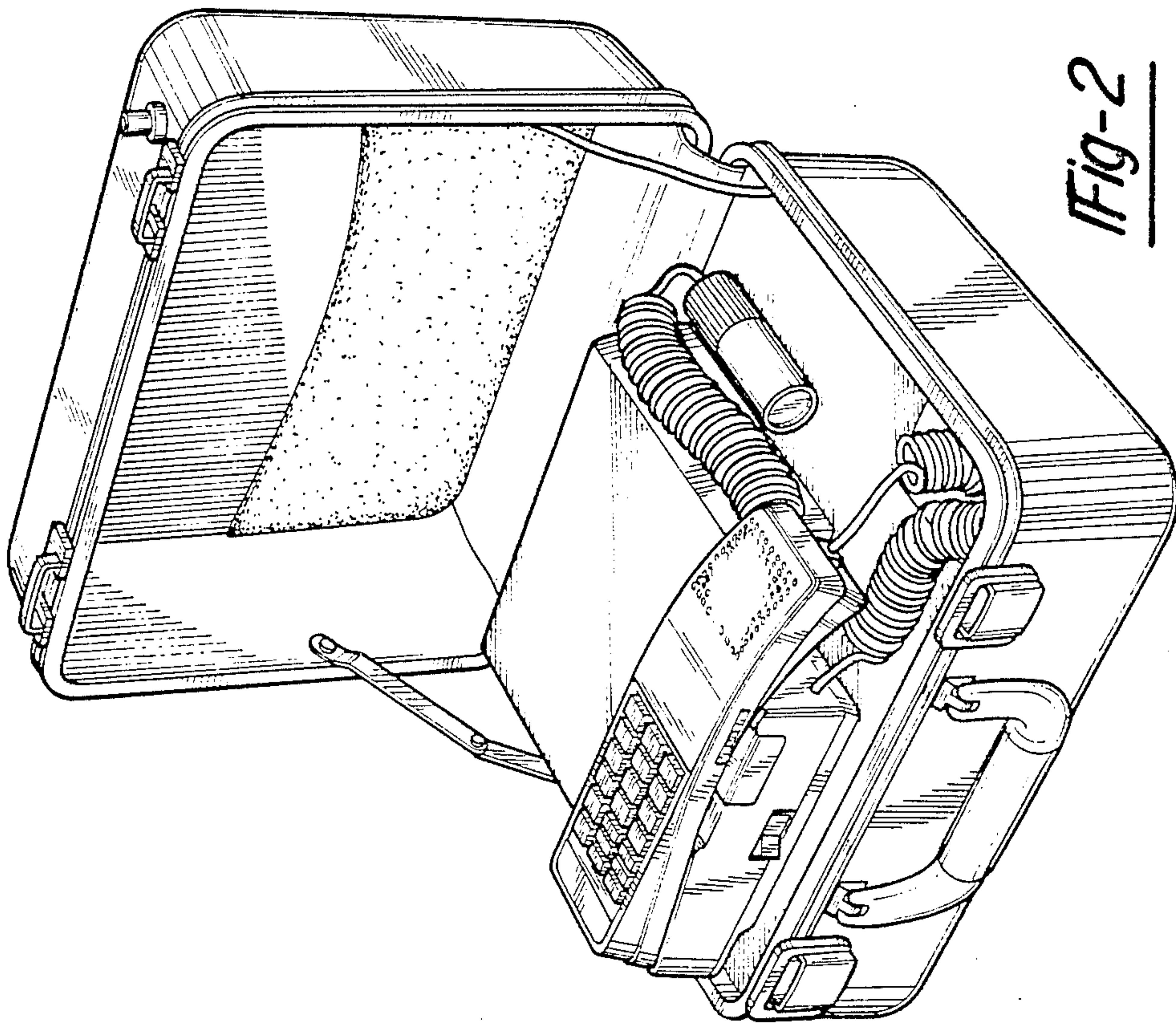


Fig-2

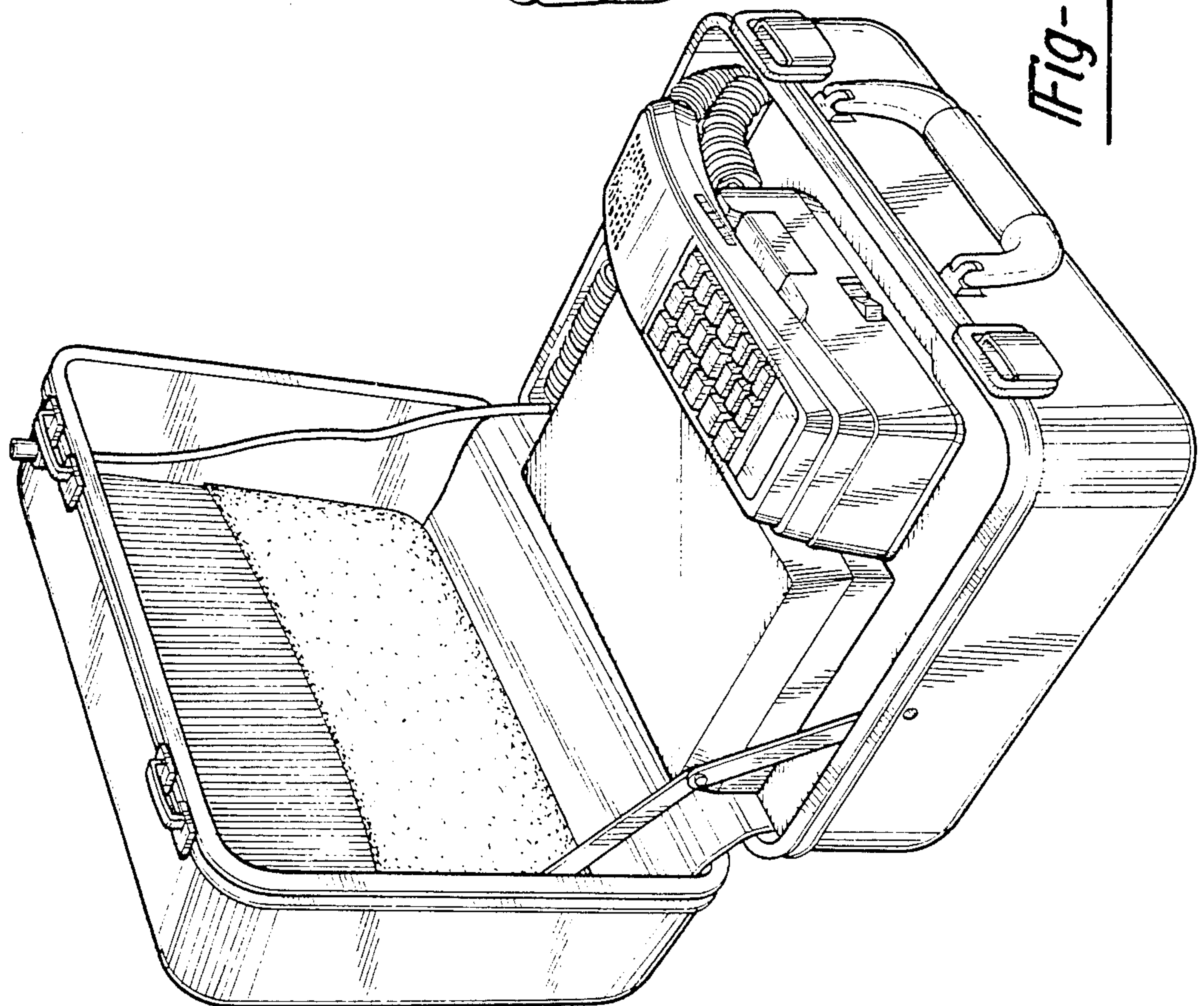


Fig-1

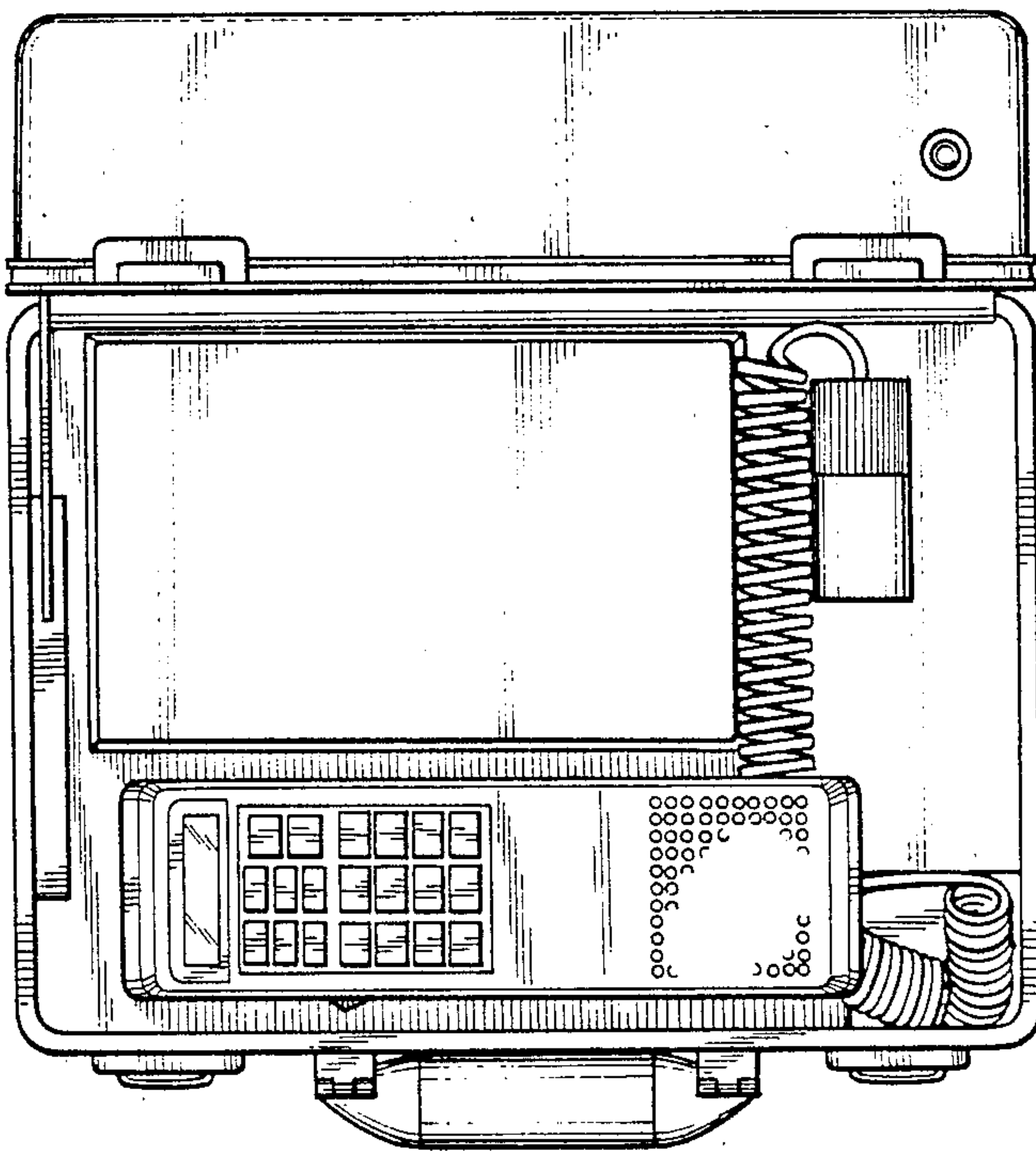


Fig-3

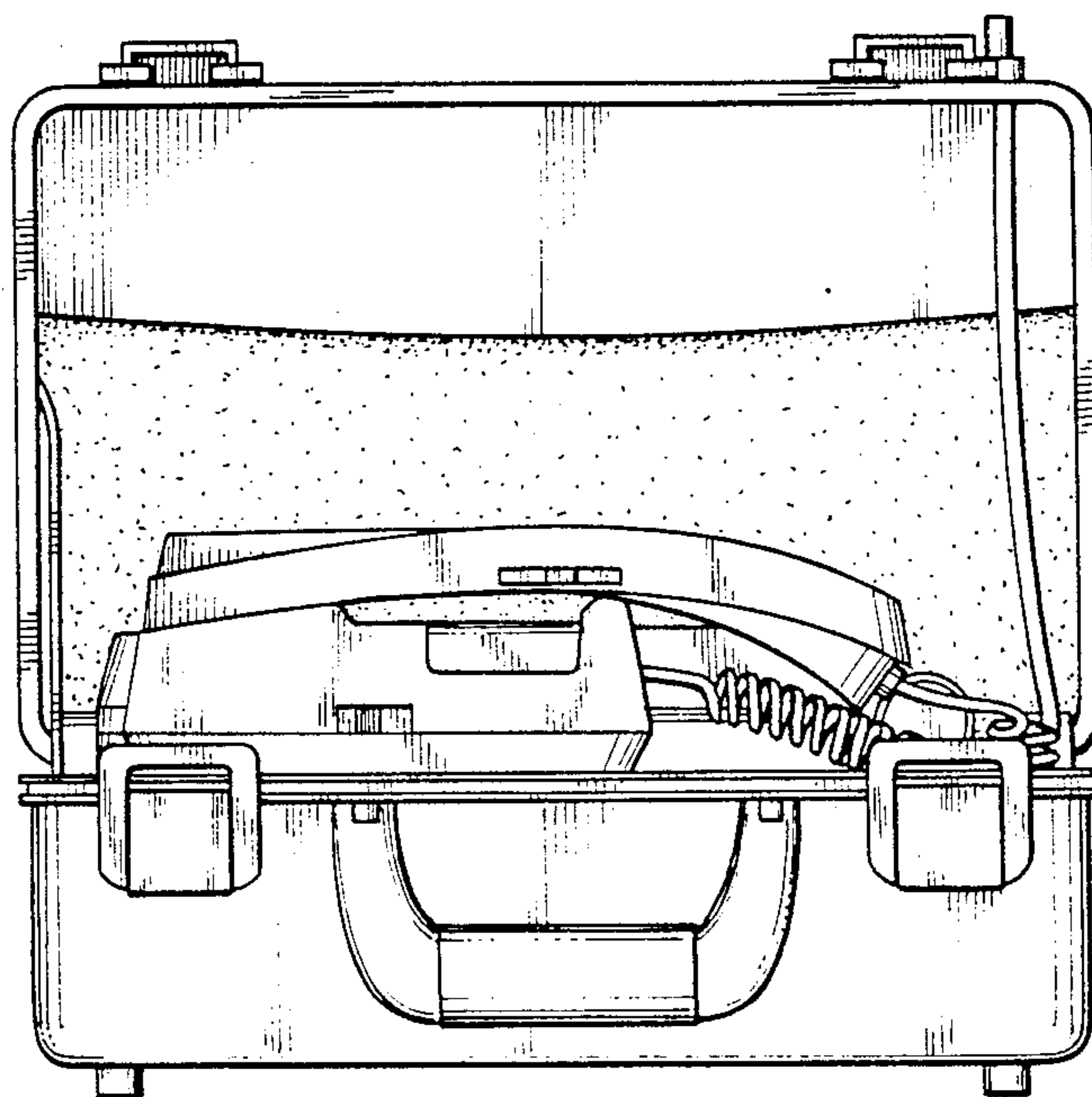


Fig-4