

[54] AUTOMOBILE REAR BUMPER

[75] Inventors: Fred C. Mayhew, Birmingham; David C. Turner; Frederick T. Finney, both of Dearborn, all of Mich.

[73] Assignee: Ford Motor Company, Dearborn, Mich.

[**] Term: 14 Years

[21] Appl. No.: 811,549

[22] Filed: Dec. 20, 1985

[52] U.S. Cl. D12/169

[58] Field of Search D12/169, 181; 293/102, 293/113, 117, 120, 121

[56] References Cited
PUBLICATIONS

Road & Track, 1/83, p. 30, rear bumper unit of Ford Thunderbird, top left side of page.

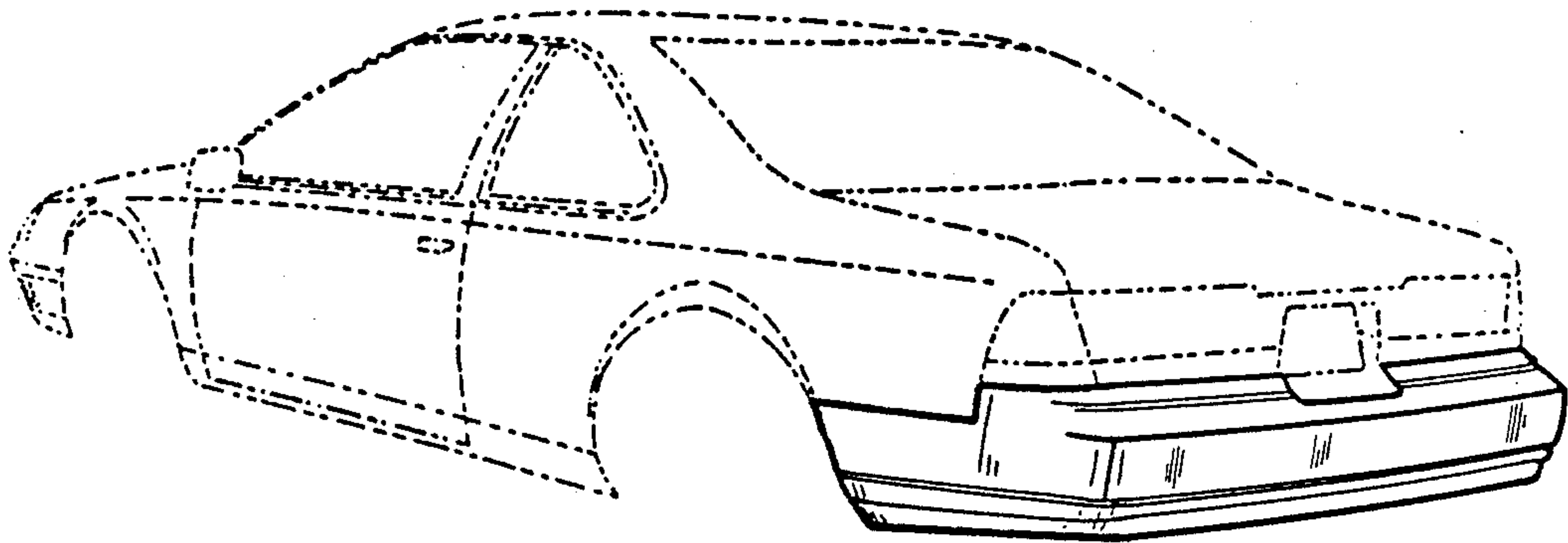
Primary Examiner—James M. Gandy
Attorney, Agent, or Firm—Daniel M. Stock; Clifford L. Sadler

[57] CLAIM

The ornamental design for an automobile rear bumper, as shown and described.

DESCRIPTION

FIG. 1 is a perspective view of an automobile rear bumper showing our new design, it being understood that the broken lines are for illustrative purposes only; FIG. 2 is an enlarged top plan view thereof; FIG. 3 is an enlarged side elevation view thereof; FIG. 4 is an enlarged cross-sectional view taken along line 4—4 of FIG. 2; and FIG. 5 is an enlarged cross-sectional view taken along line 5—5 of FIG. 2.



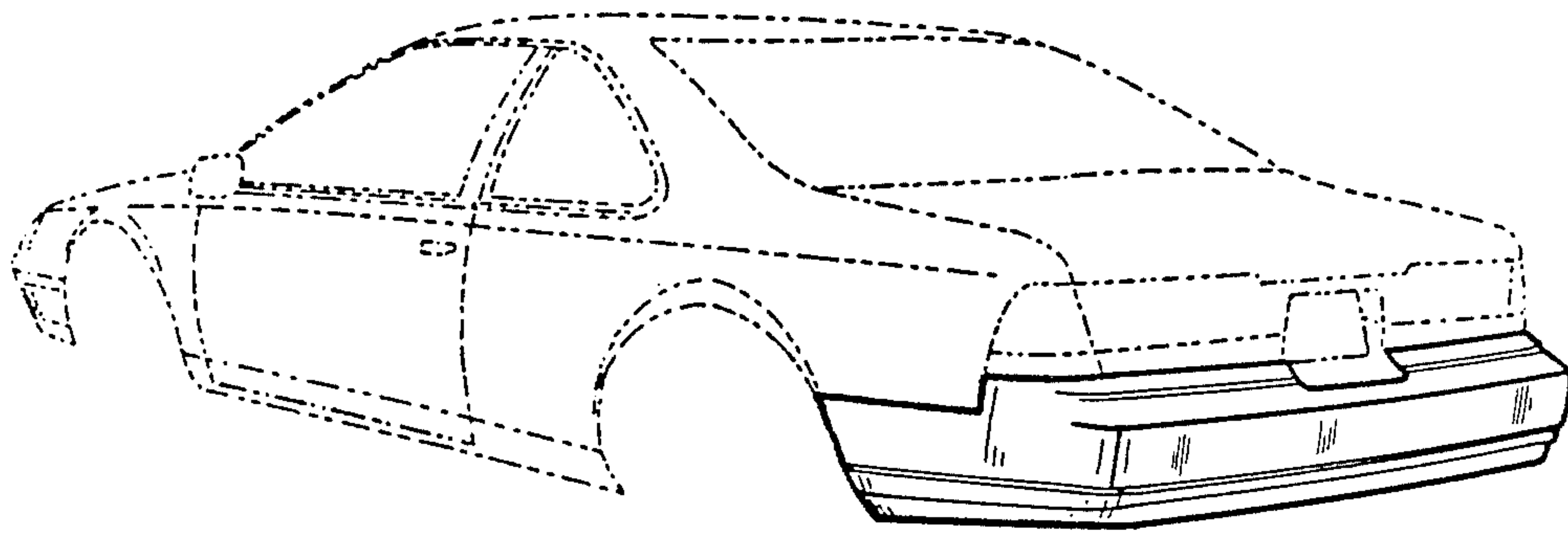


Fig-1

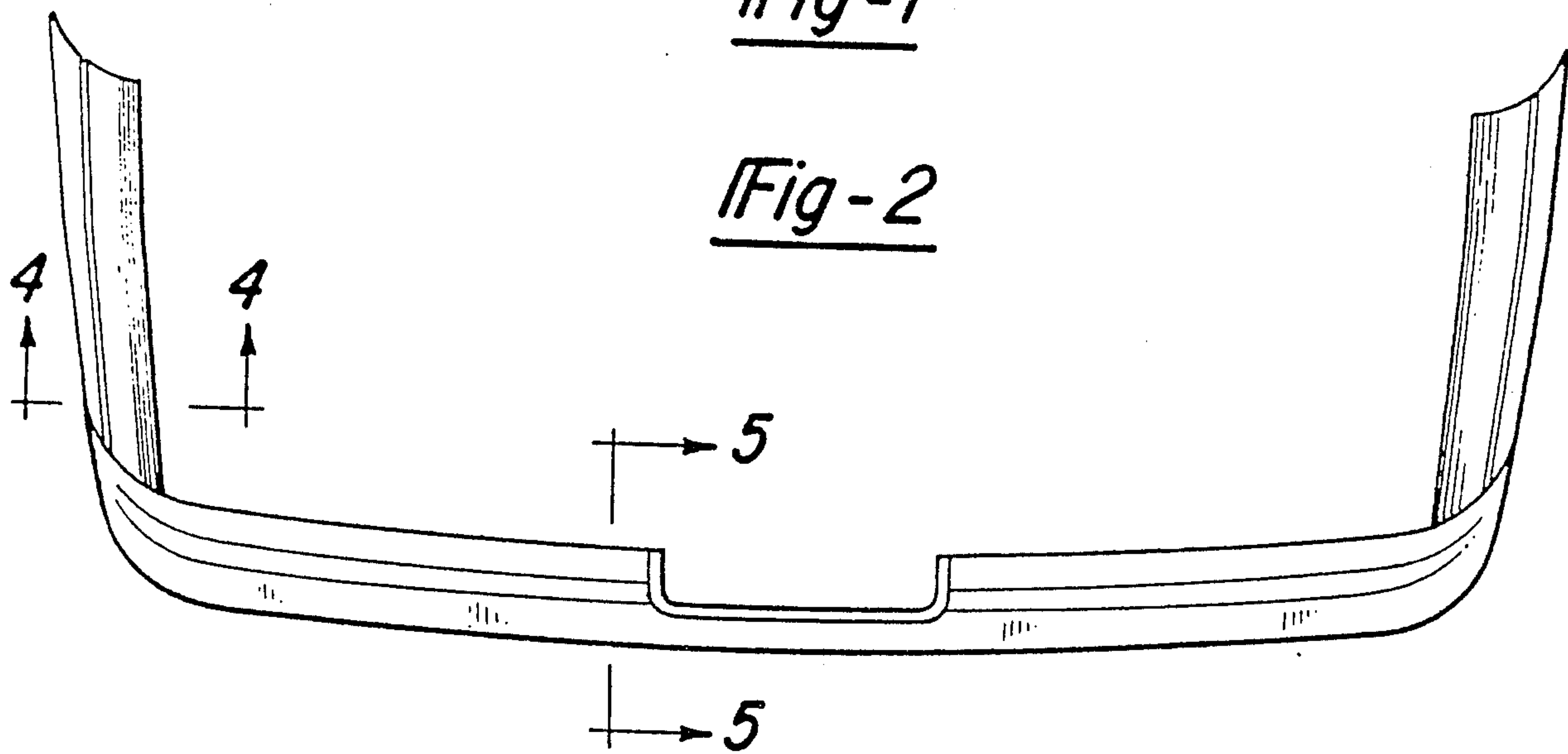


Fig-2

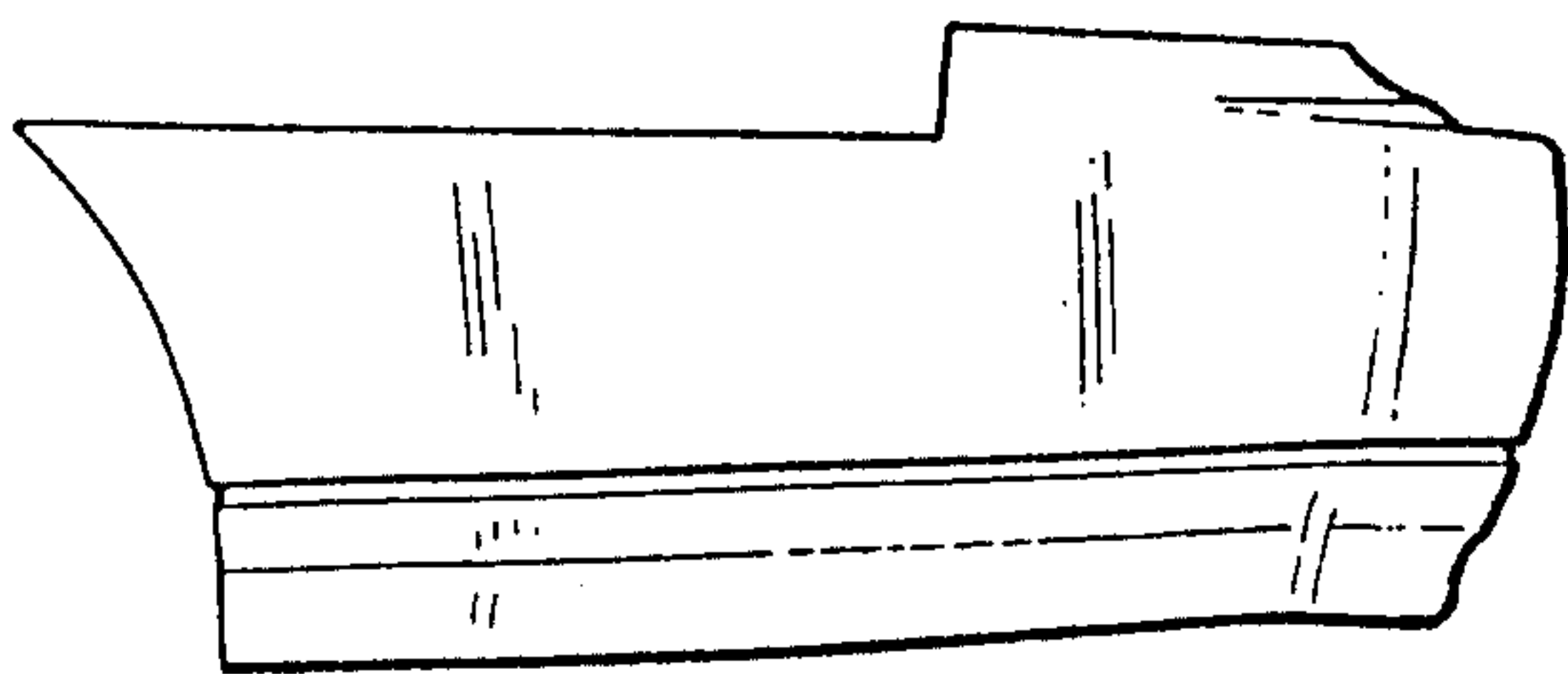


Fig-3



Fig-5



Fig-4