

[54] PORTABLE CHAMFERING TOOL

3,787,970 1/1974 Krieg 83/869

[75] Inventors: Kenji Fukuda; Toshio Mikiya, both of Tokyo, Japan

FOREIGN PATENT DOCUMENTS

2920078 11/1980 Fed. Rep. of Germany 83/581

[73] Assignee: Nitto Kohki Co., Ltd., Tokyo, Japan

Primary Examiner—Susan J. Lucas
Assistant Examiner—Claire E. Heflin
Attorney, Agent, or Firm—Birch, Stewart, Kolasch & Birch

[**] Term: 14 Years

[21] Appl. No.: 613,068

[22] Filed: May 22, 1984

[57] CLAIM

The ornamental design for a portable chamfering tool, as shown.

[30] Foreign Application Priority Data

Nov. 24, 1983 [JP] Japan 58-50690

[52] U.S. Cl. D8/61

[58] Field of Search D8/61-69;
83/581, 869; 30/272 R, 272 A, 278, 283, 362,
390, 501, 519; 173/170

DESCRIPTION

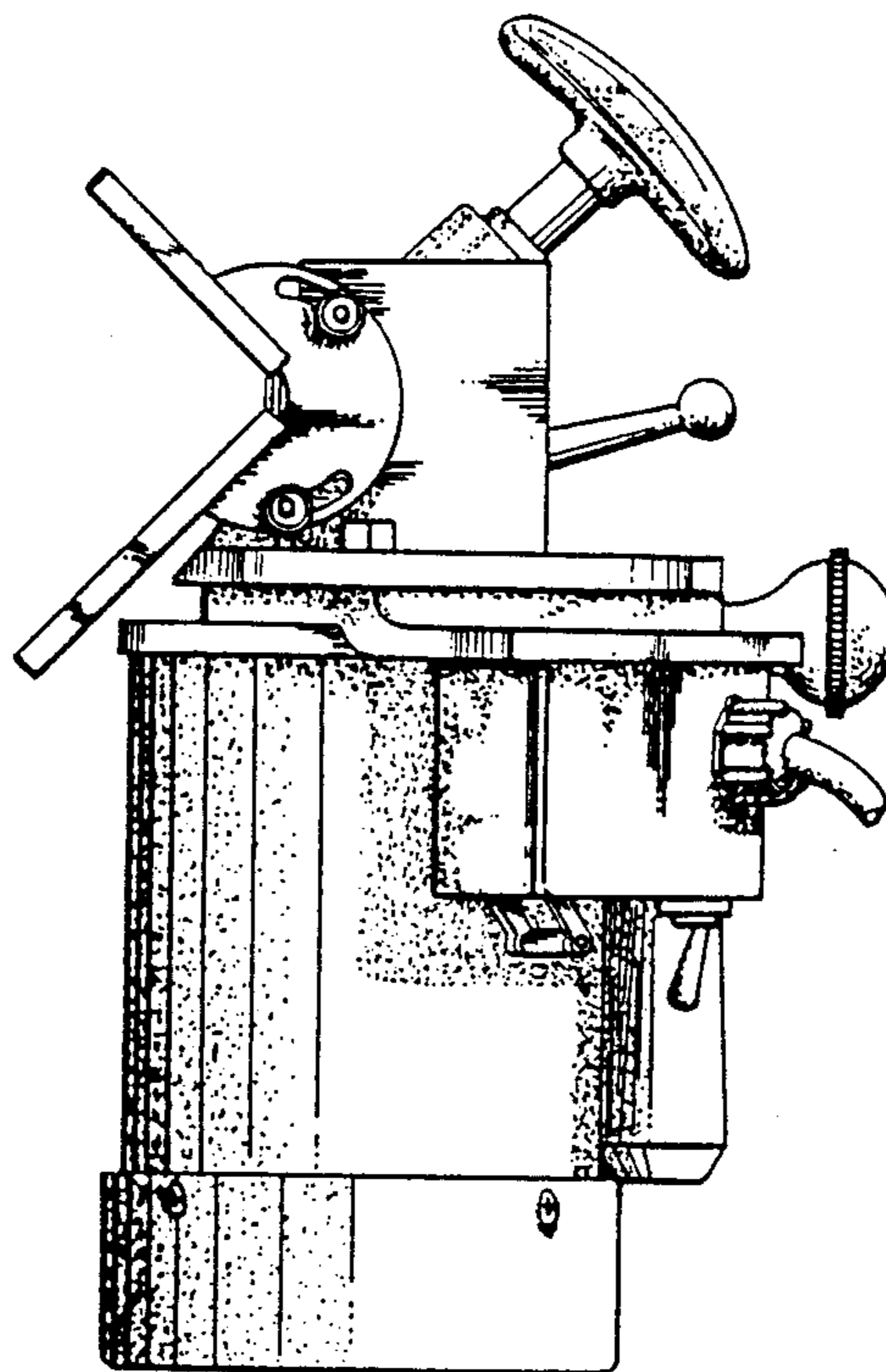
FIG. 1 is a perspective view of the portable chamfering tool showing our new design;
FIG. 2 is a left side elevational view thereof;
FIG. 3 is a top plan view thereof;
FIG. 4 is a right side elevational view thereof;
FIG. 5 is a front elevational view thereof;
FIG. 6 is a rear elevational view thereof; and
FIG. 7 is a bottom plan view thereof.

[56] References Cited

U.S. PATENT DOCUMENTS

2,186,738 1/1940 Solomon 30/272 R

2,543,486 2/1951 Briskin 30/390



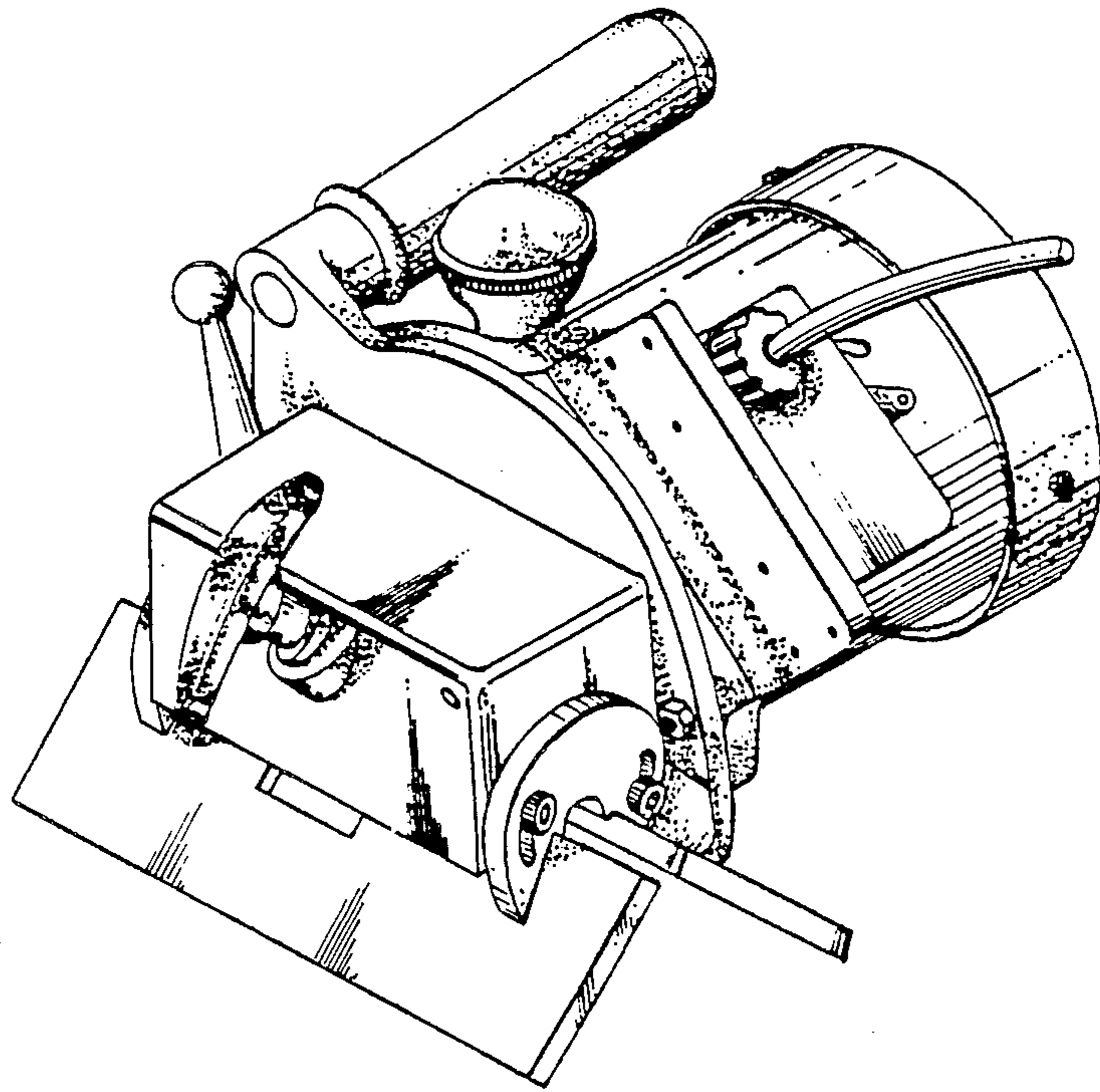


FIG. 1

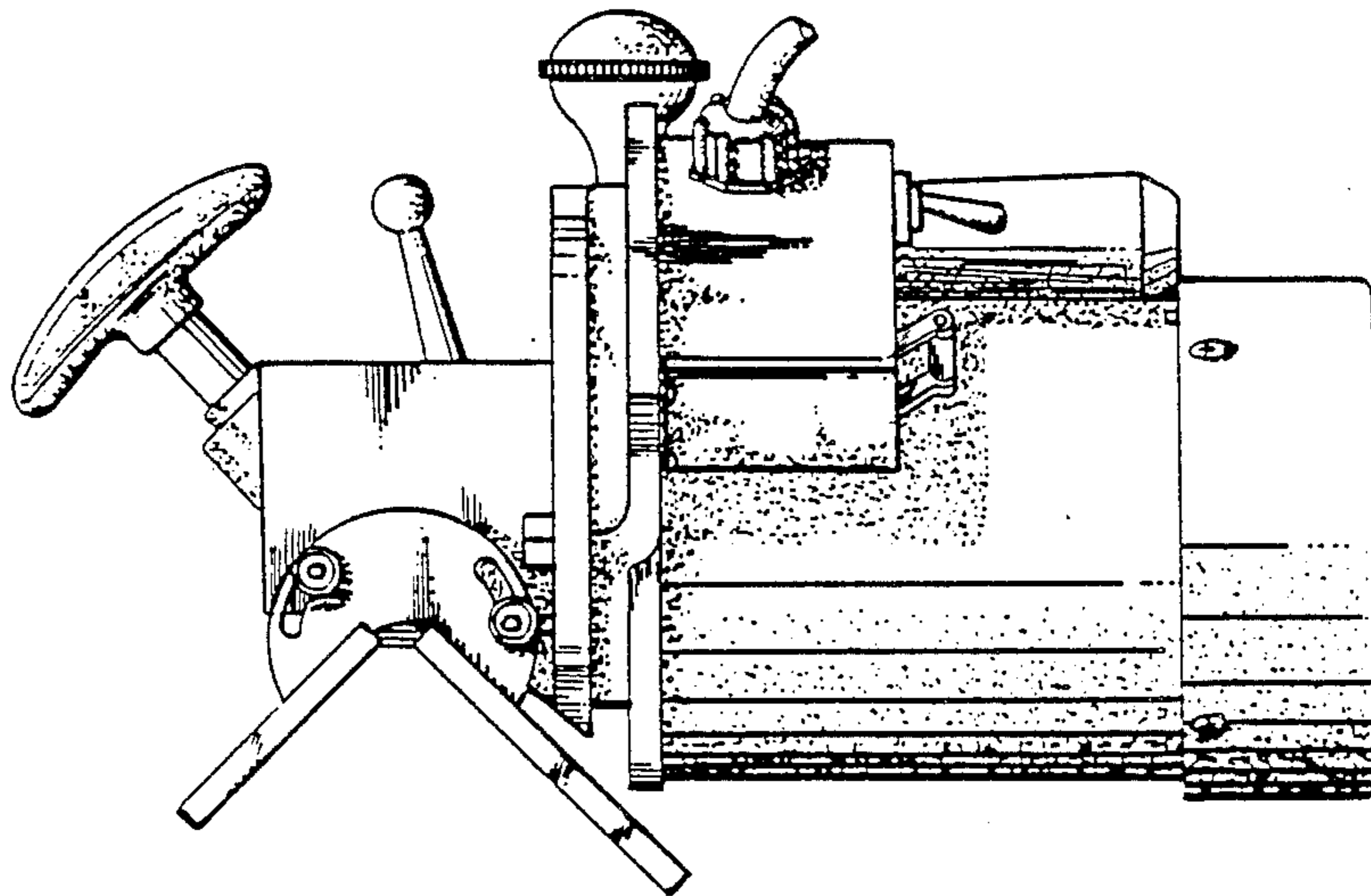


FIG. 2

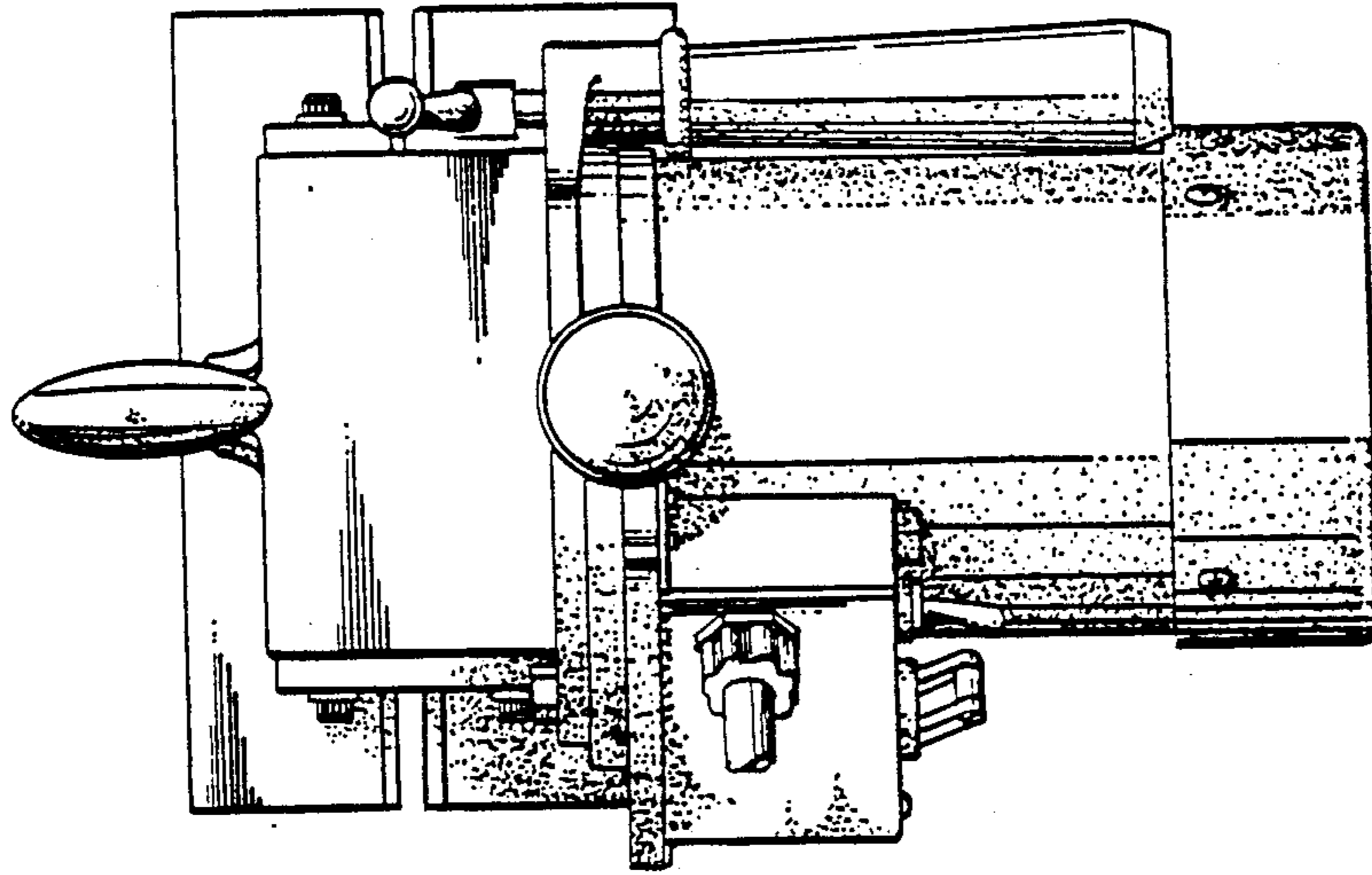


FIG. 3

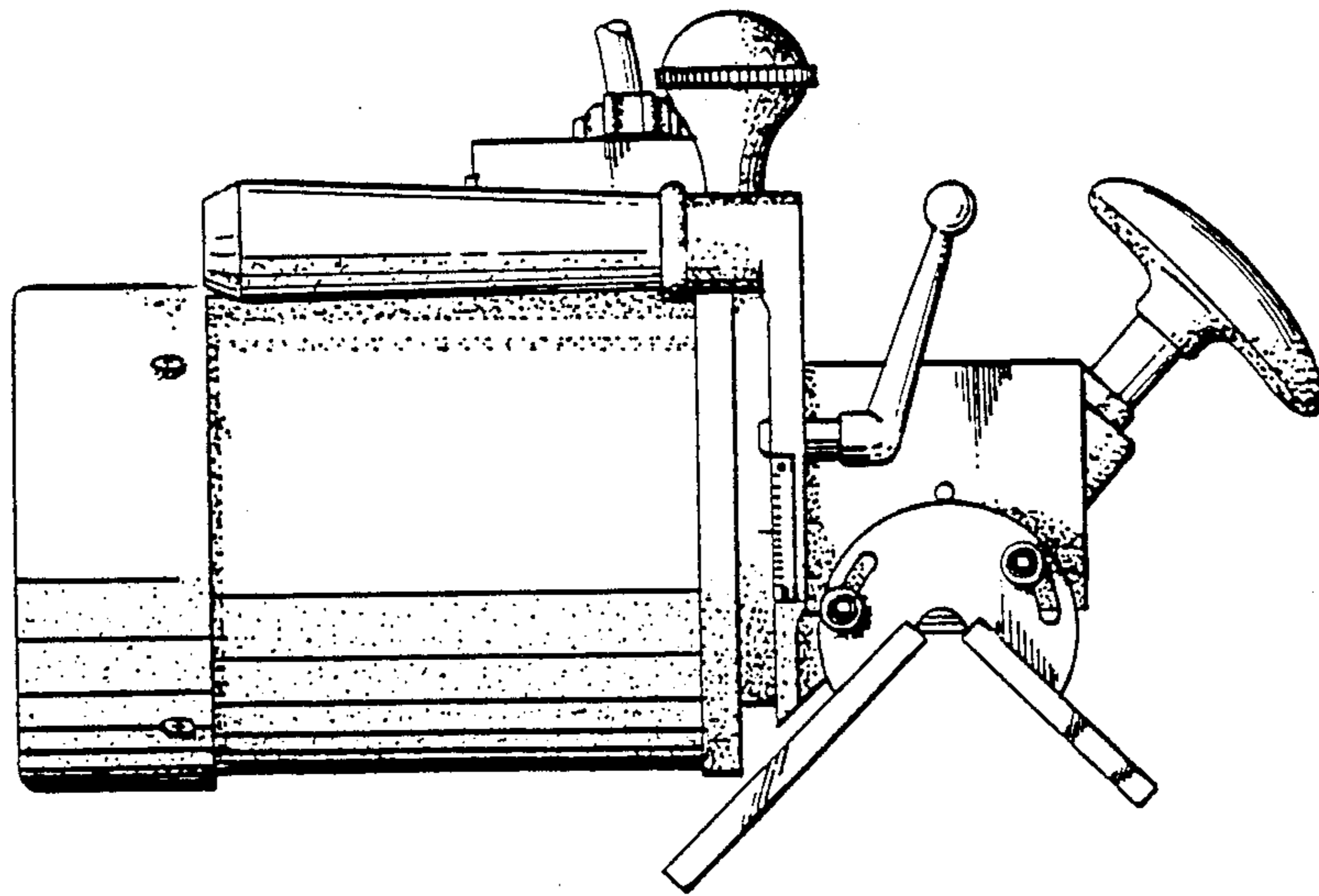


FIG. 4

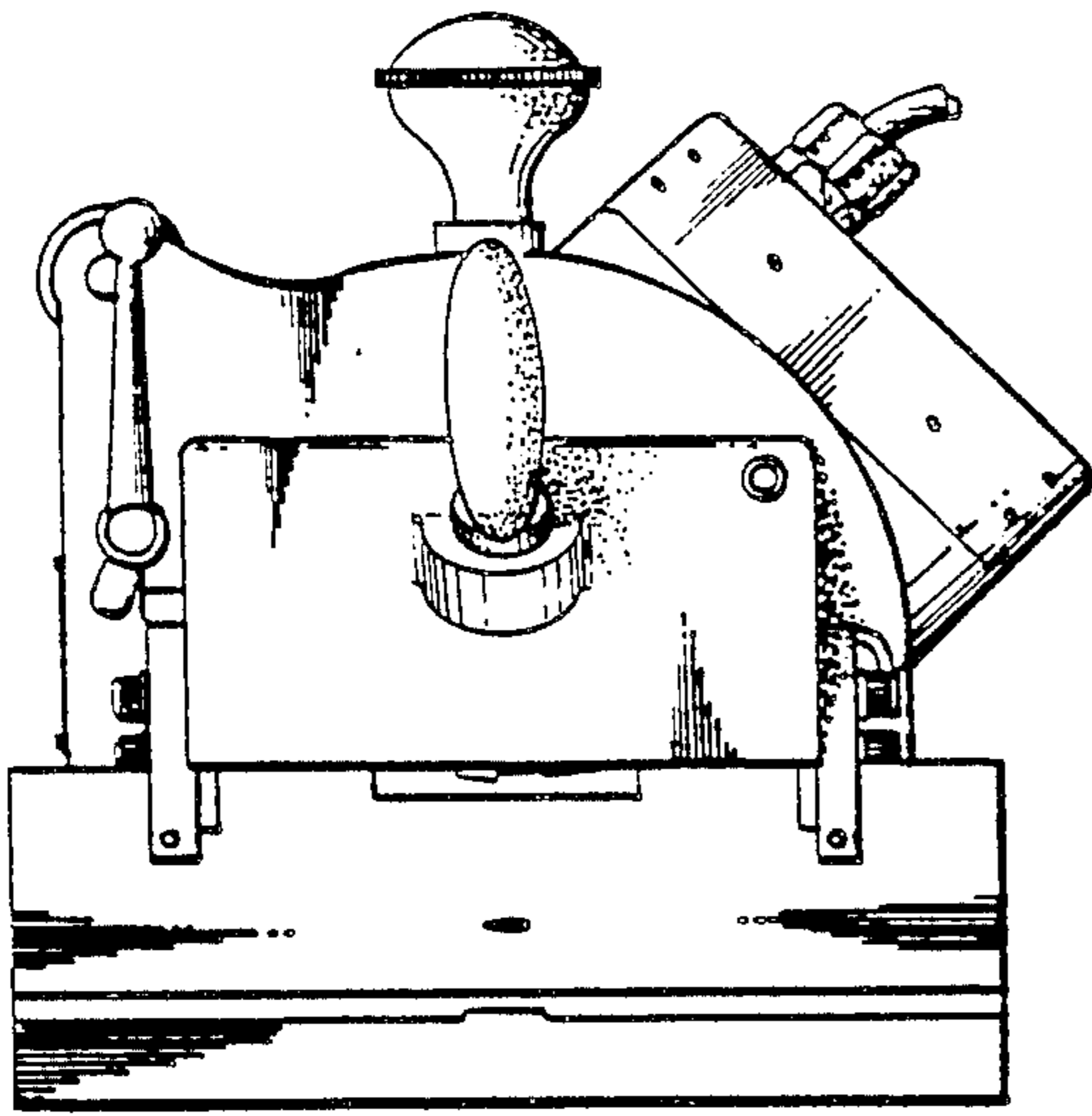


FIG. 5

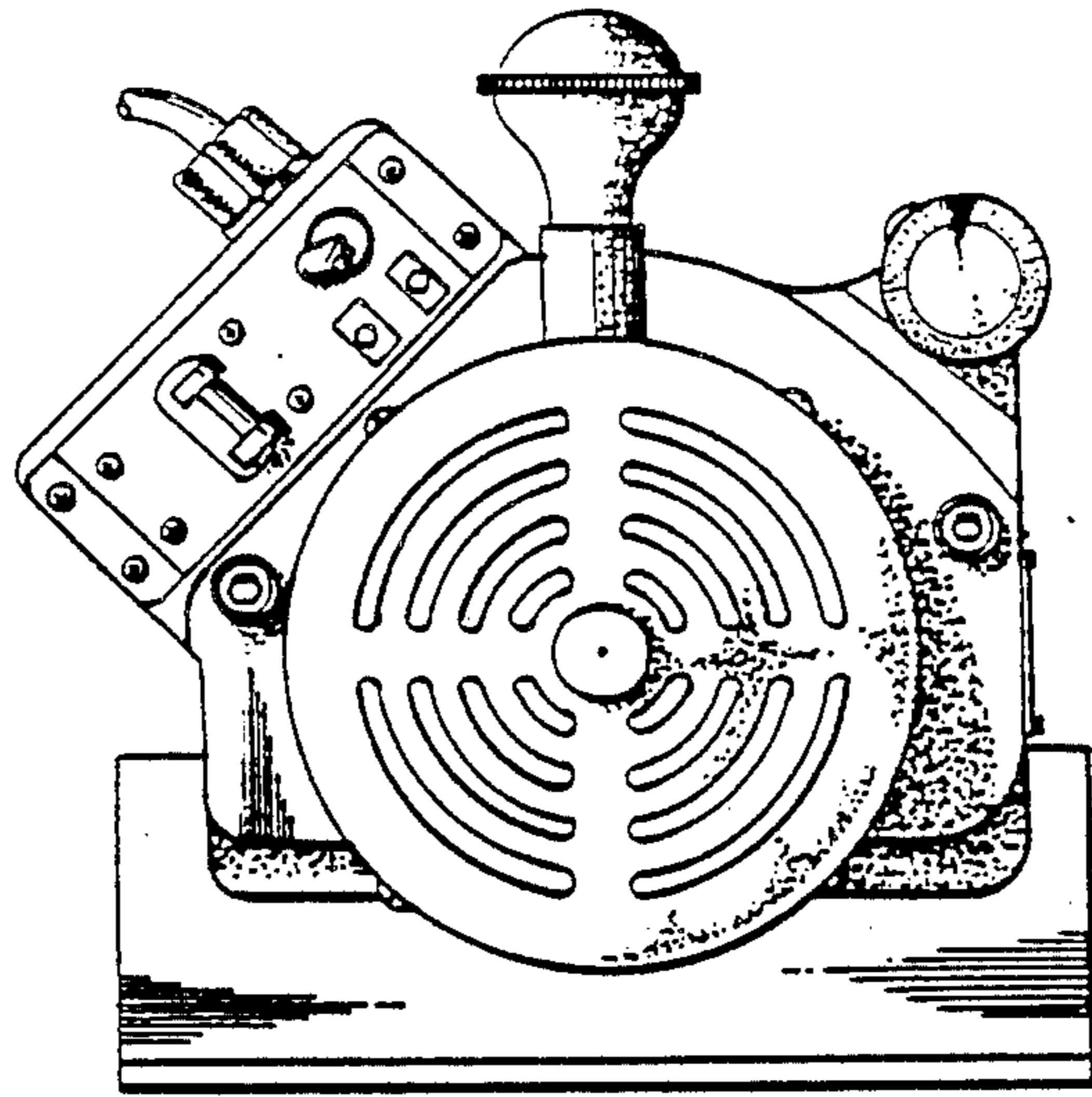


FIG. 6

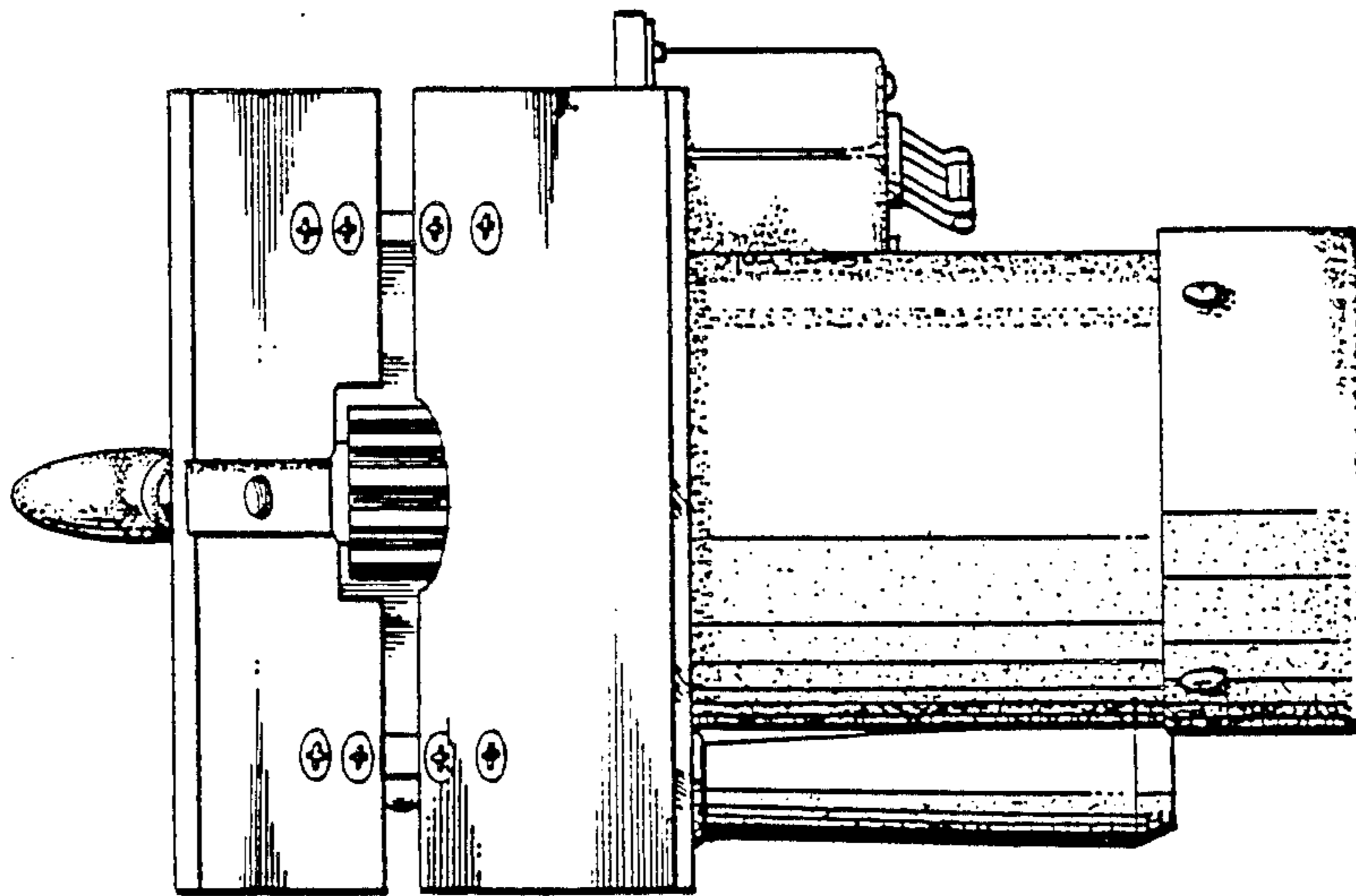


FIG. 7