

[54] HAND HELD CAN OPENER

[75] Inventors: Tooru Ohnishi; Kazunori Morimoto; Masaharu Katayama, all of Kasai, Japan

[73] Assignee: Sanyo Electric Co., Ltd., Japan

[**] Term: 14 Years

[21] Appl. No.: 748,736

[22] Filed: Jun. 25, 1985

[30] Foreign Application Priority Data

Dec. 10, 1984 [JP] Japan 59-50779

[52] U.S. Cl. D8/41; D8/36

[58] Field of Search D8/40, 18, 33, 36, 38, D8/41; 30/400, 409, 416, 421-426

[56] References Cited

U.S. PATENT DOCUMENTS

D. 276,406 11/1984 Johnson et al. D8/41

FOREIGN PATENT DOCUMENTS

2092093 8/1982 United Kingdom 30/409

OTHER PUBLICATIONS

Kitchen Bazaar, 3/84, p. 23, Can Opener.

Primary Examiner—Bernard Ansher

Assistant Examiner—Terry Pfeffer

Attorney, Agent, or Firm—Darby & Darby

[57] CLAIM

The ornamental design for a handheld can opener, as shown.

DESCRIPTION

FIG. 1 is a perspective view of a hand held can opener showing our new design;

FIG. 2 is a left side elevational view thereof;

FIG. 3 is a front elevational view thereof;

FIG. 4 is a right side elevational view thereof;

FIG. 5 is a rear elevational view thereof;

FIG. 6 is a top plan view thereof; and

FIG. 7 is a bottom plan view thereof;

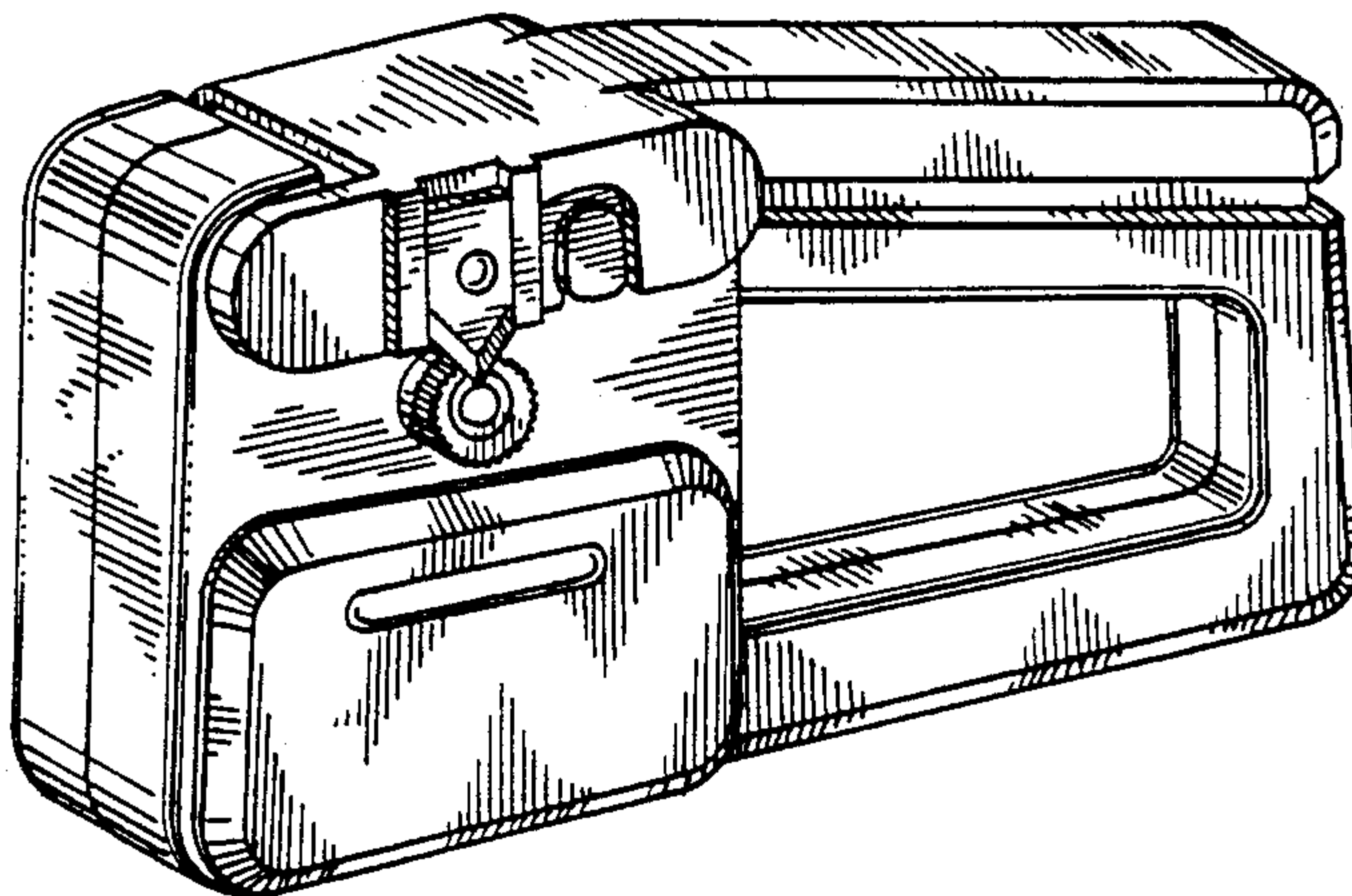


FIG. 1

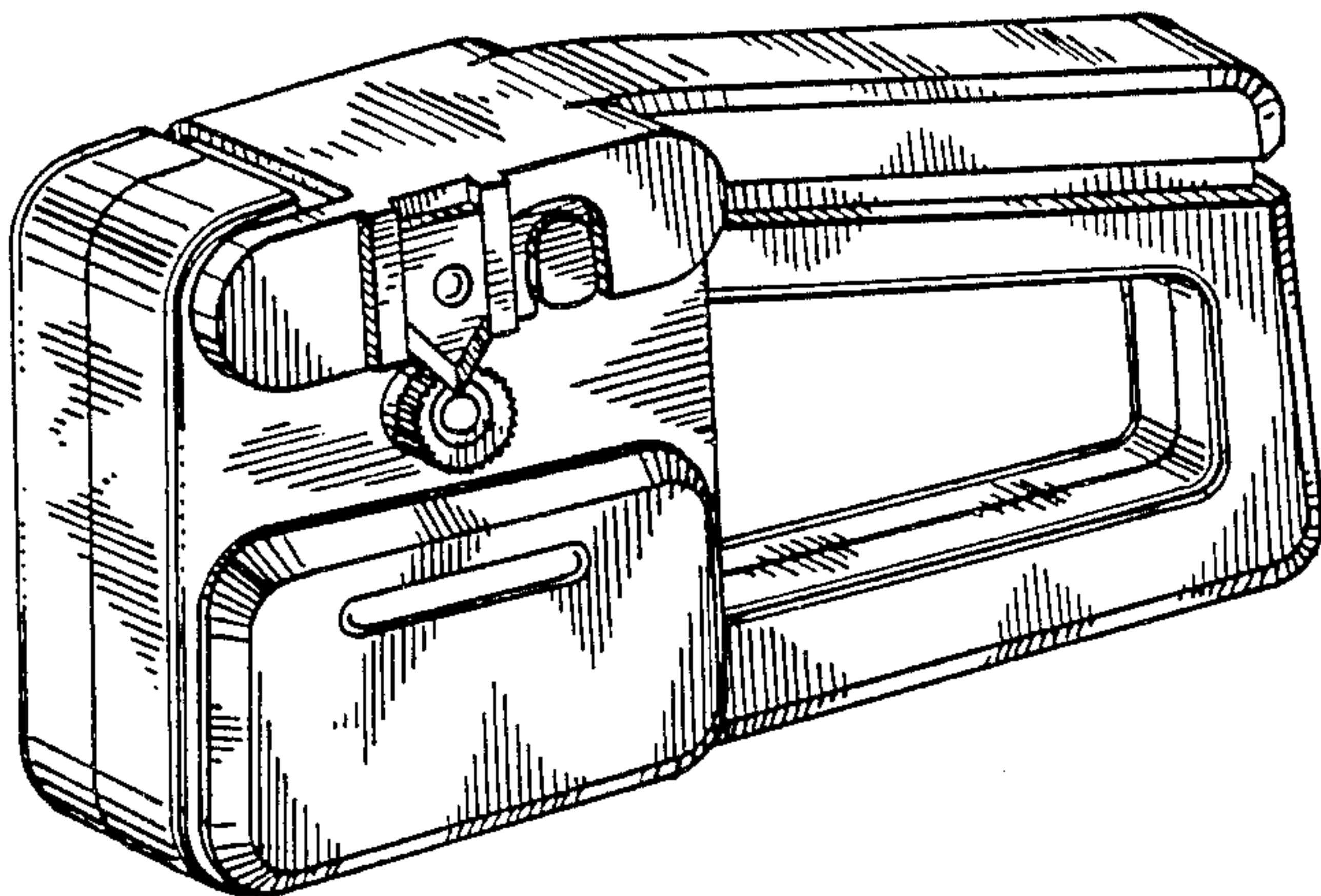


FIG. 2

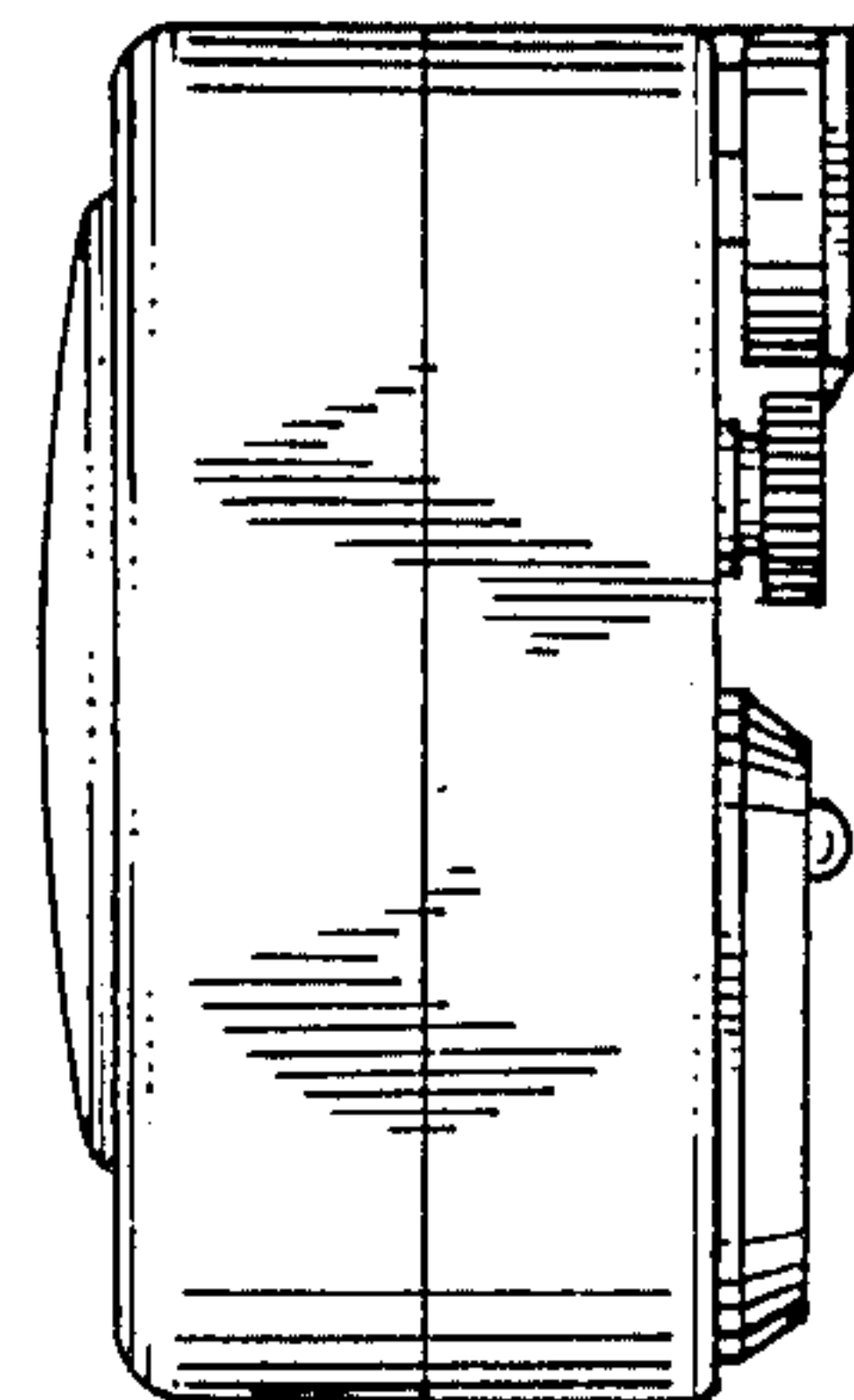


FIG. 3

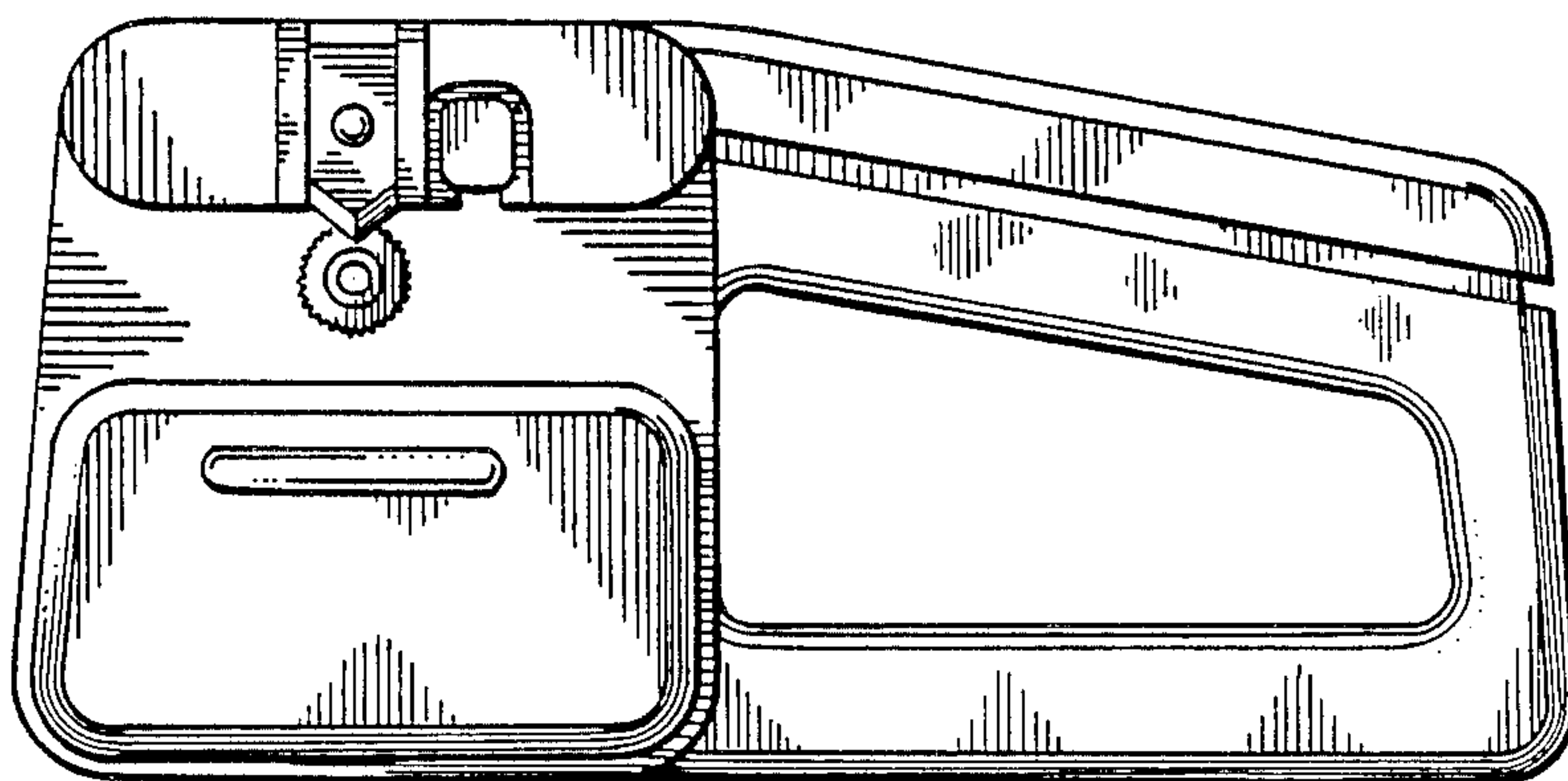


FIG. 4

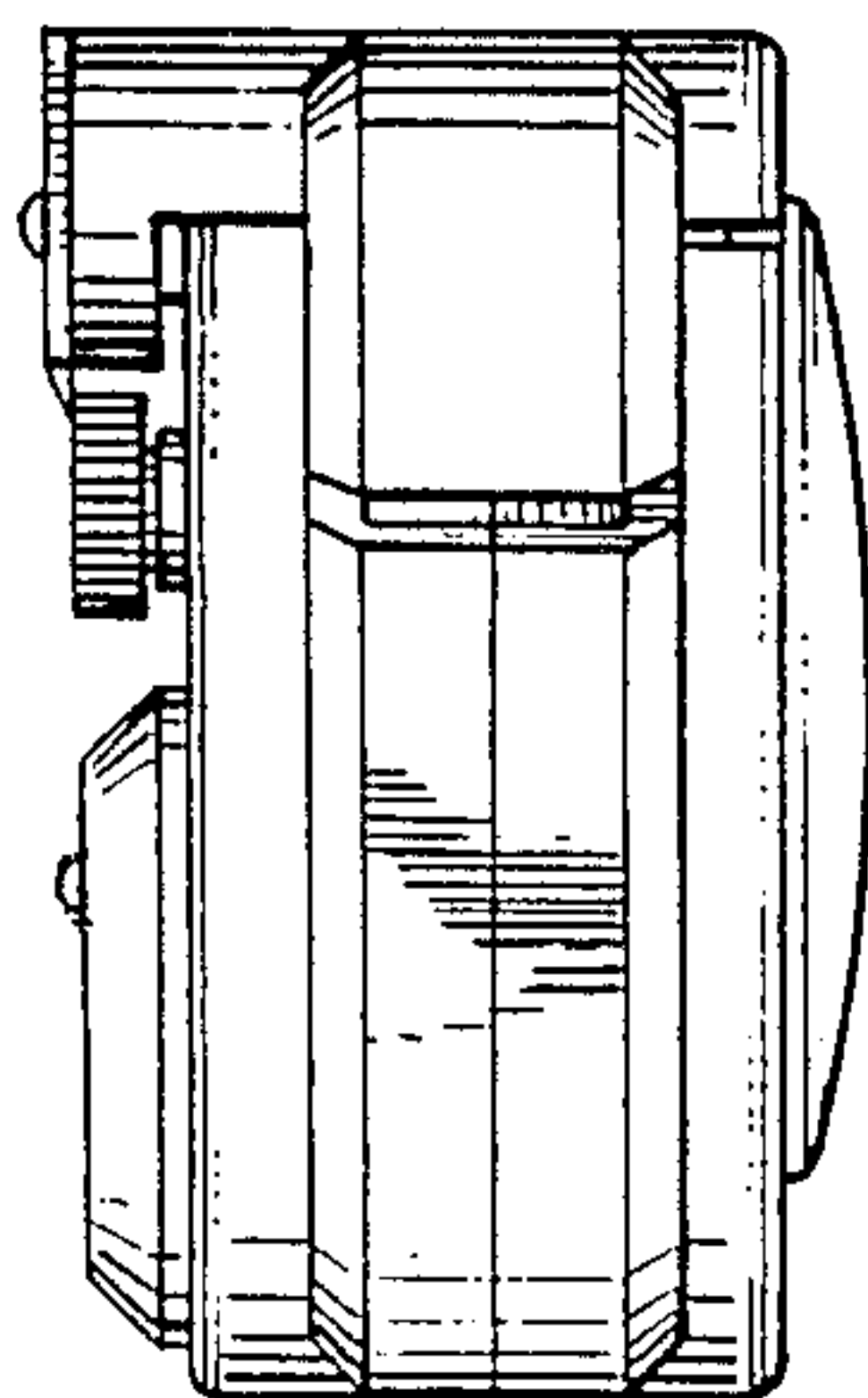


FIG. 5

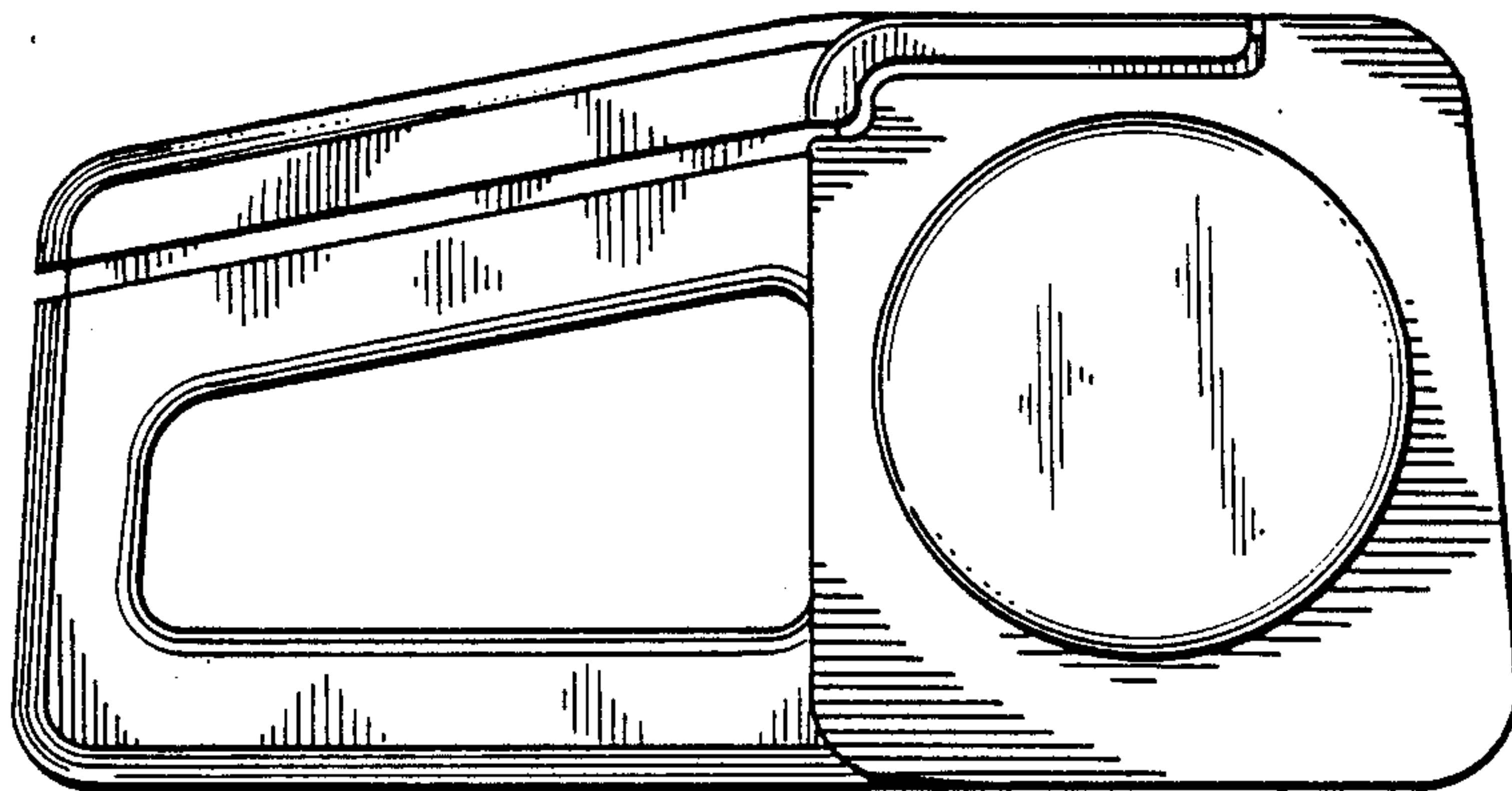


FIG. 6

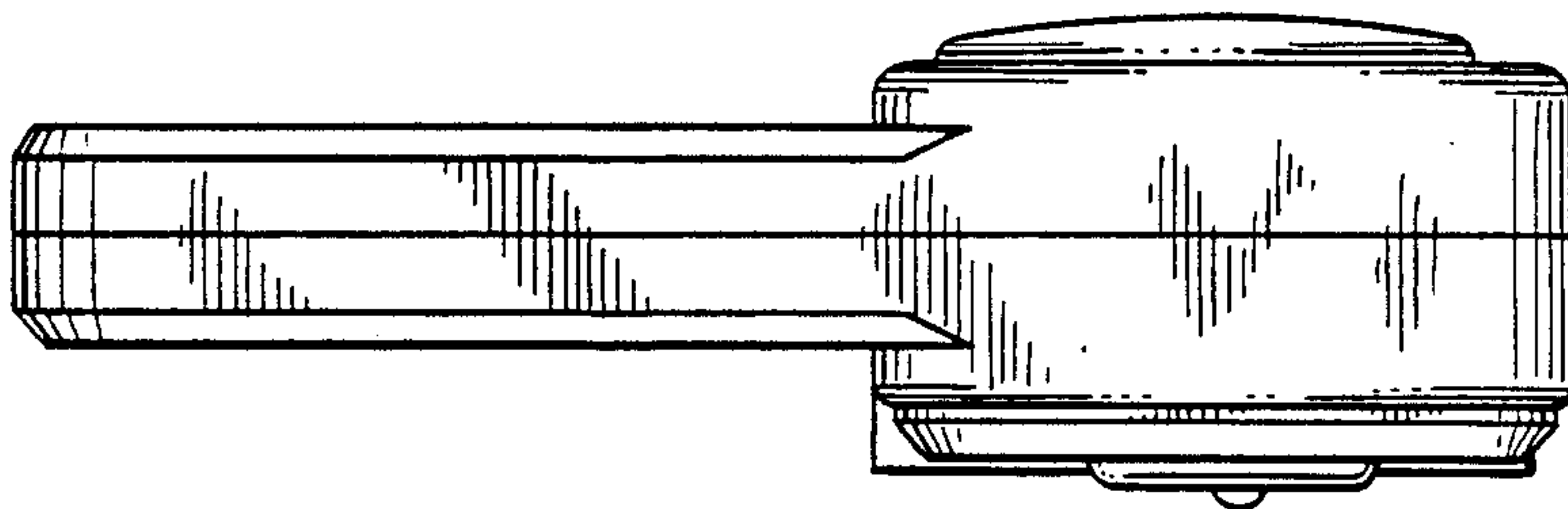


FIG. 7

