

United States Patent [19]
Hyde

[11] **Patent Number: Des. 295,138**
[45] **Date of Patent: ** Apr. 12, 1988**

[54] **BEER DISPENSING TAP**

[75] **Inventor: Roger J. Hyde, Northamptonshire, England**

[73] **Assignee: Whitbread & Company, PLC, England**

[**] **Term: 14 Years**

[21] **Appl. No.: 753,896**

[22] **Filed: Jul. 11, 1985**

[30] **Foreign Application Priority Data**

Jan. 22, 1985 [GB] United Kingdom 1 024 577
[52] **U.S. Cl.** **D7/398**
[58] **Field of Search** D7/398, 313, 300, 306, D7/312; 222/510, 509, 81, 91, 83

[56] **References Cited**

U.S. PATENT DOCUMENTS

D. 286,005 10/1986 Rutter D7/398
3,373,907 3/1968 Batrow 222/509 X
3,865,276 2/1975 Thompson D7/306 X

FOREIGN PATENT DOCUMENTS

778031 7/1957 United Kingdom 222/509 X

Primary Examiner—Winifred E. Herrmann
Attorney, Agent, or Firm—Larson and Taylor

[57] **CLAIM**

The ornamental design for a beer dispensing tap, as shown and described.

DESCRIPTION

FIG. 1 is a top plan view of a beer dispensing tap showing my new design;
FIG. 2 is a front elevational view thereof;
FIG. 3 is a rear elevational view thereof;
FIG. 4 is a bottom plan view thereof; and
FIG. 5 is a side elevational view thereof, the opposite side not shown is similar to the side shown.

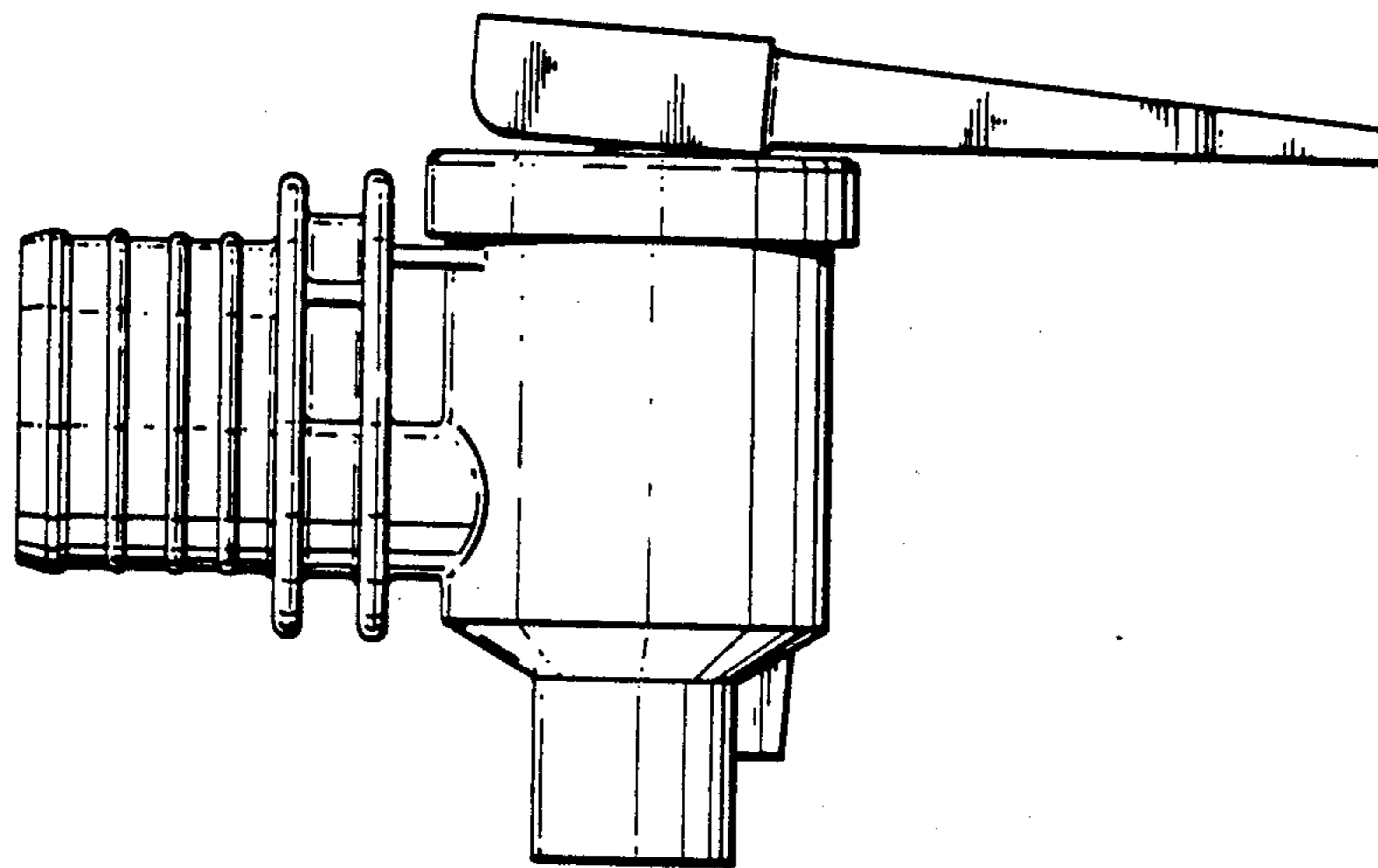


Fig. 1.

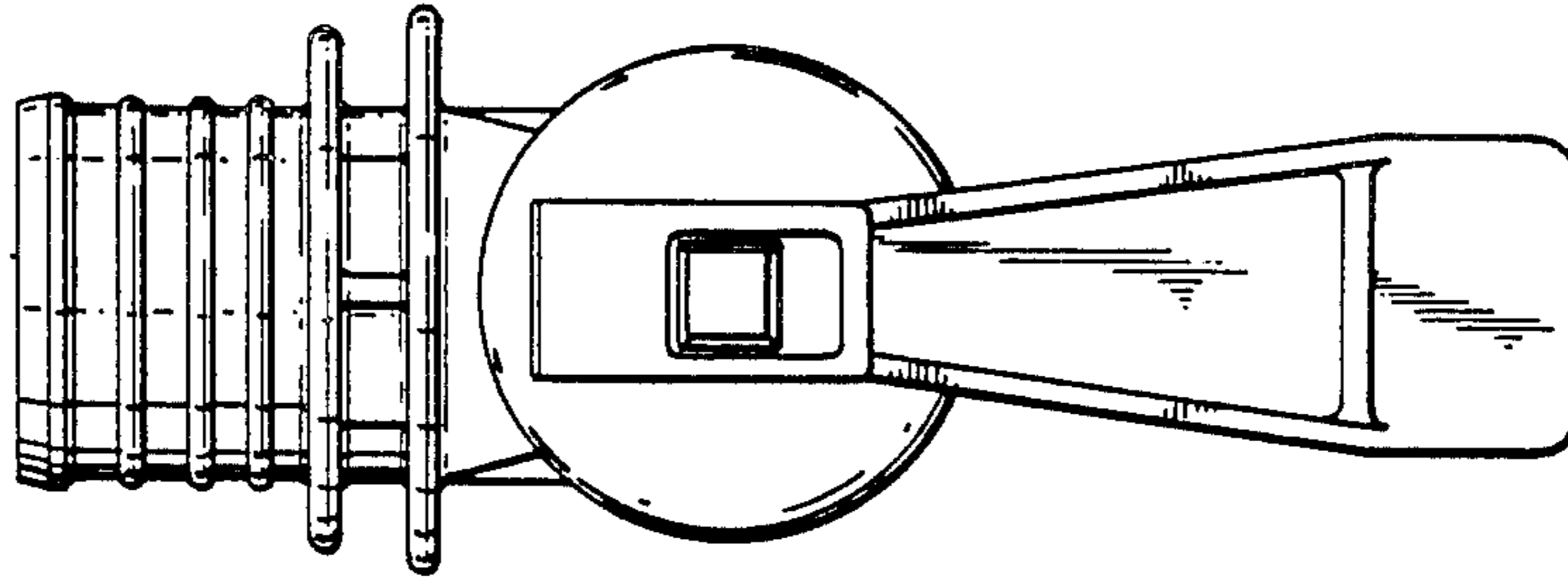


Fig. 2.

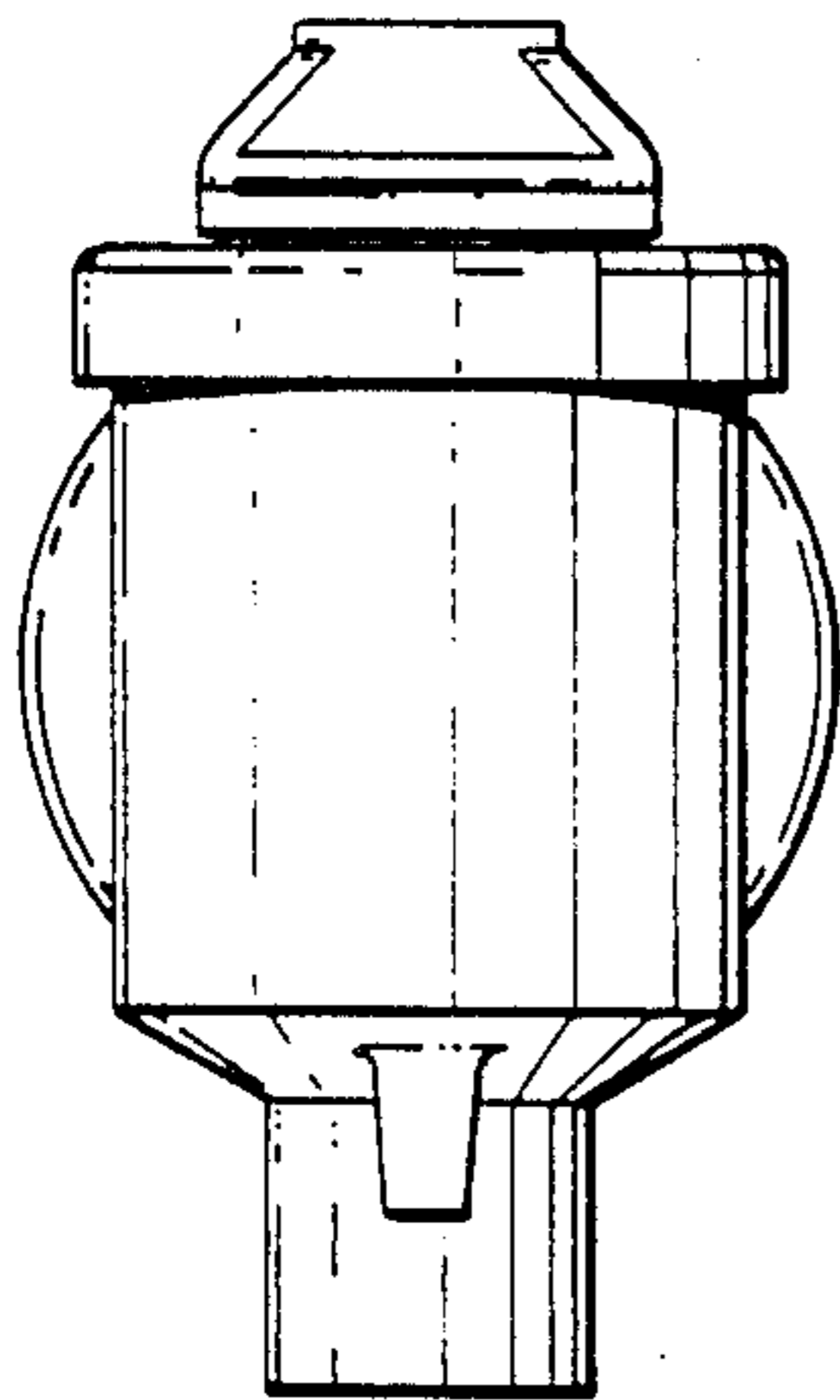


Fig. 3.

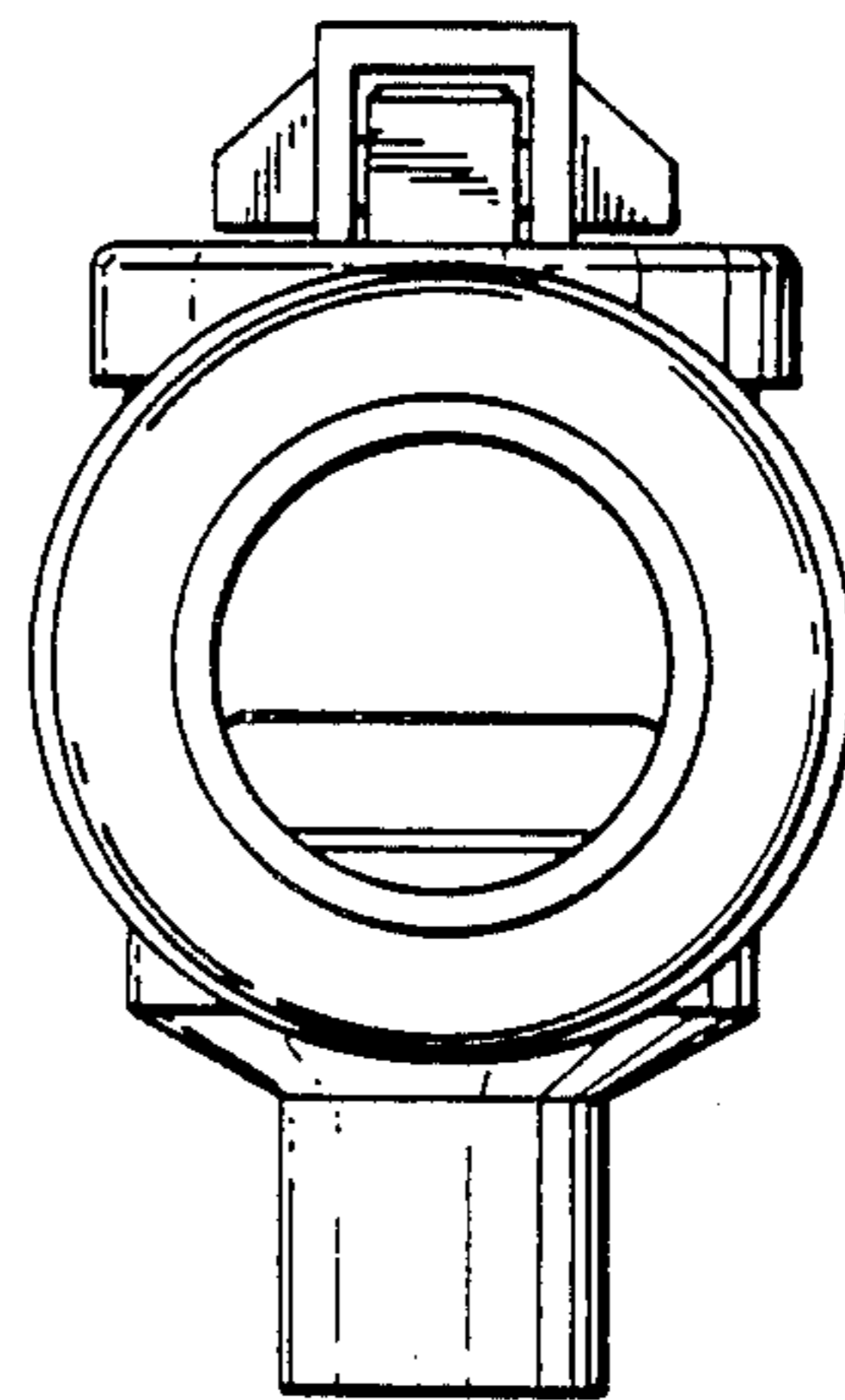


Fig. 4.

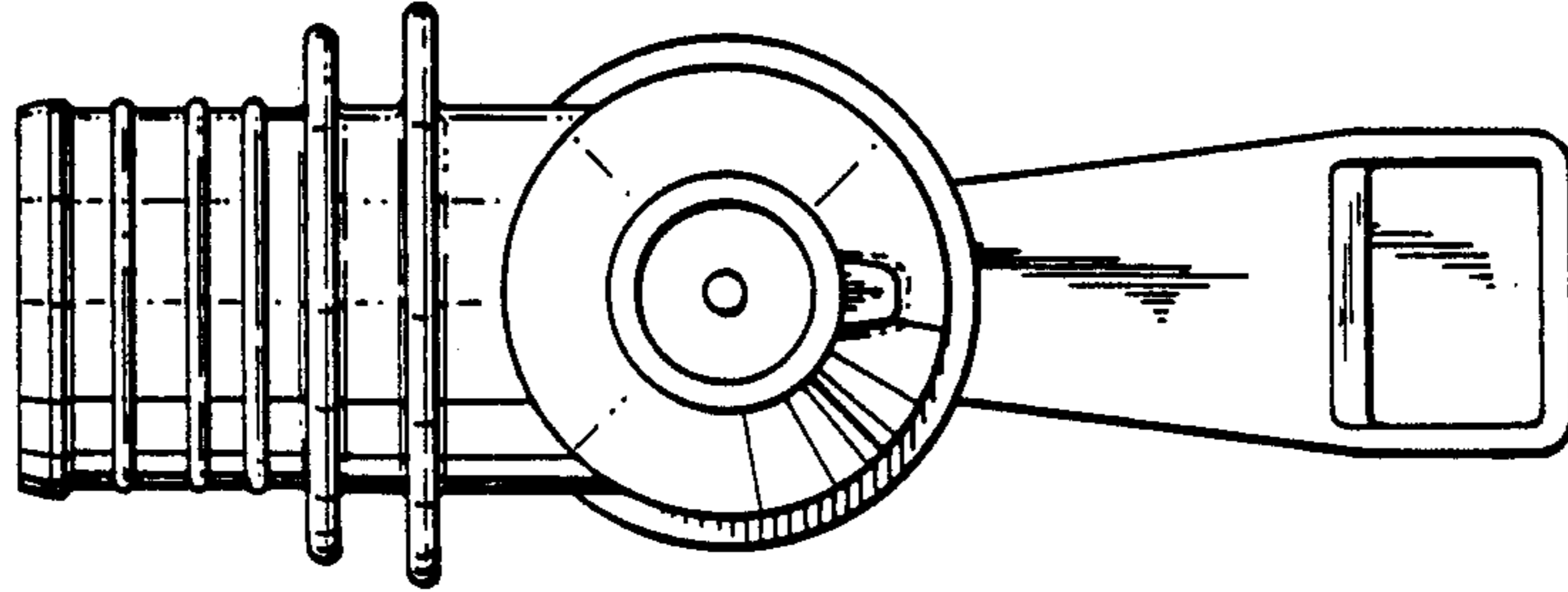


Fig. 5.

