

[54] MEAT SMOKER

[76] Inventor: David M. Cox, Jr., 611 Havencrest,  
Coppell, Tex. 75019

[\*\*] Term: 14 Years

[21] Appl. No.: 720,680

[22] Filed: Apr. 8, 1985

[52] U.S. Cl. .... D7/334

[58] Field of Search ..... D7/332, 334, 336, 347;  
99/352, 419, 421 R, 421 HV, 421 TP, 467, 468,  
481-482; 126/25 R, 25 A, 25 AA, 25 B, 29-30

[56] **References Cited**

**U.S. PATENT DOCUMENTS**

D. 208,179	7/1967	King et al. ....	D7/334
D. 219,629	12/1970	Koziol .....	D7/334
3,792,654	2/1974	Turner .....	99/481
4,233,890	11/1980	Jansen .....	99/352
4,469,020	9/1984	Hamilton et al. ....	99/467

Primary Examiner—Susan J. Lucas  
Assistant Examiner—Ruth Takemoto  
Attorney, Agent, or Firm—Richards, Harris, Medlock &  
Andrews

[57] **CLAIM**

The ornamental design for a meat smoker, as shown.

**DESCRIPTION**

FIG. 1 is a perspective view of a meat smoker showing my new design;  
FIG. 2 is a top plan view thereof;  
FIG. 3 is an end elevational view thereof;  
FIG. 4 is a front elevational view thereof;  
FIG. 5 is an end elevational view thereof, of the opposite side of FIG. 3;  
FIG. 6 is a rear elevational view thereof;  
FIG. 7 is a perspective view thereof, with the doors in an open condition; and  
FIG. 8 is a perspective view thereof, with the fire box and oven in an open condition.

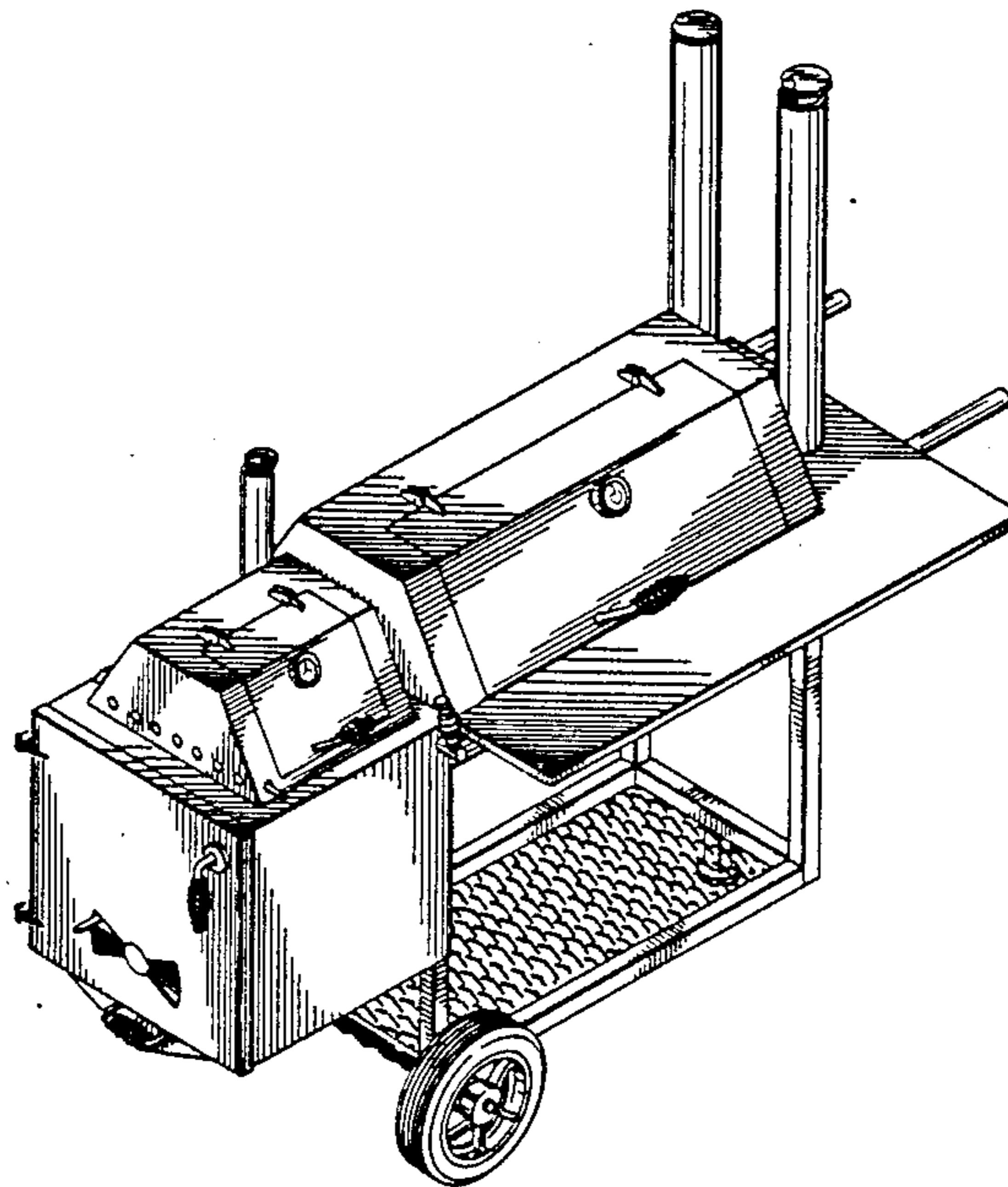


FIG. 1

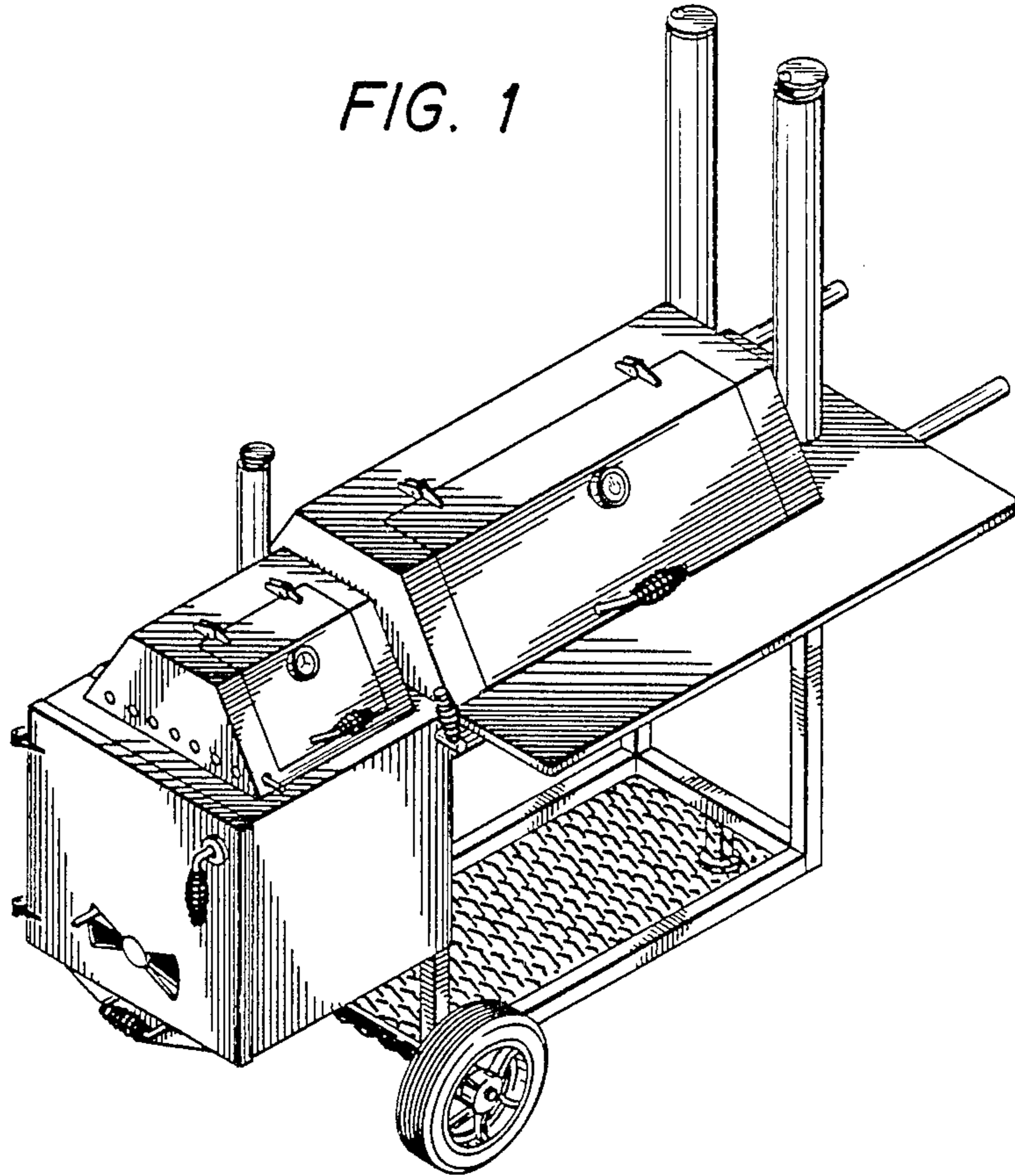
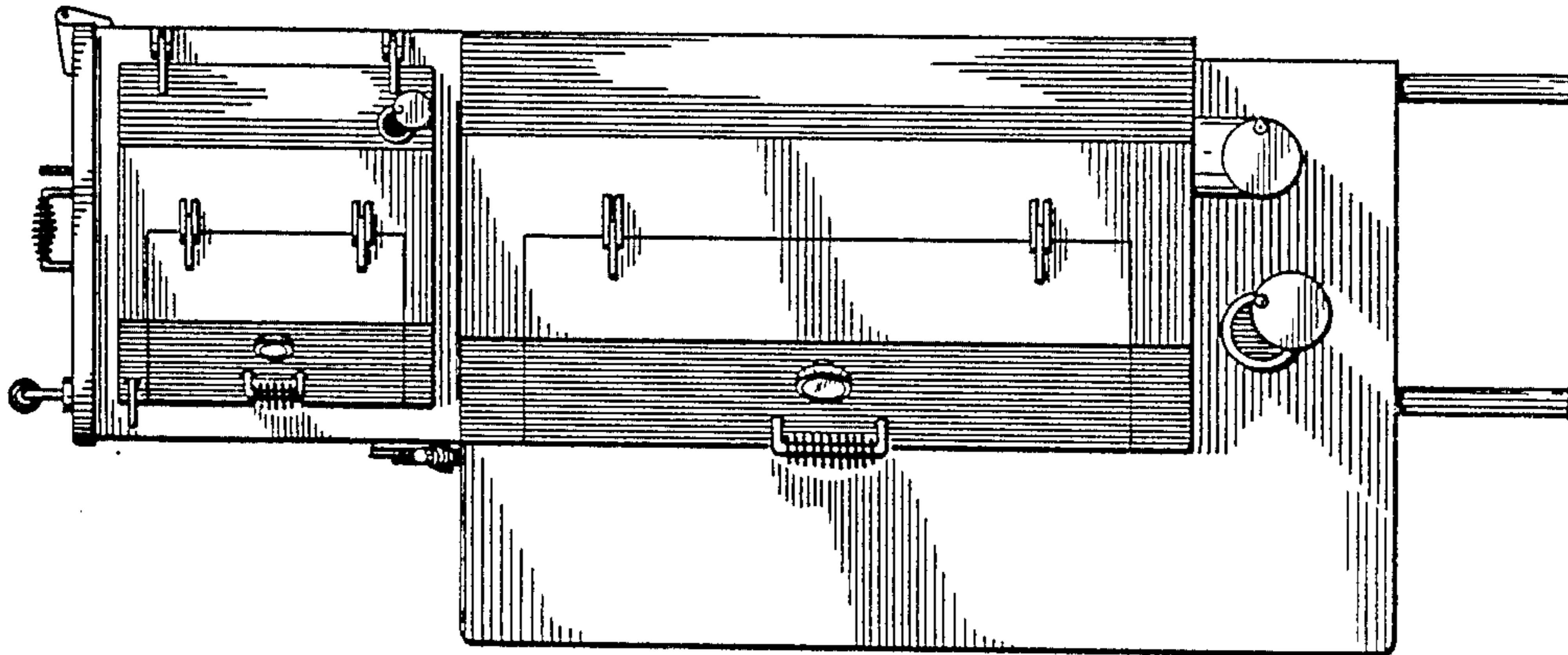


FIG. 2



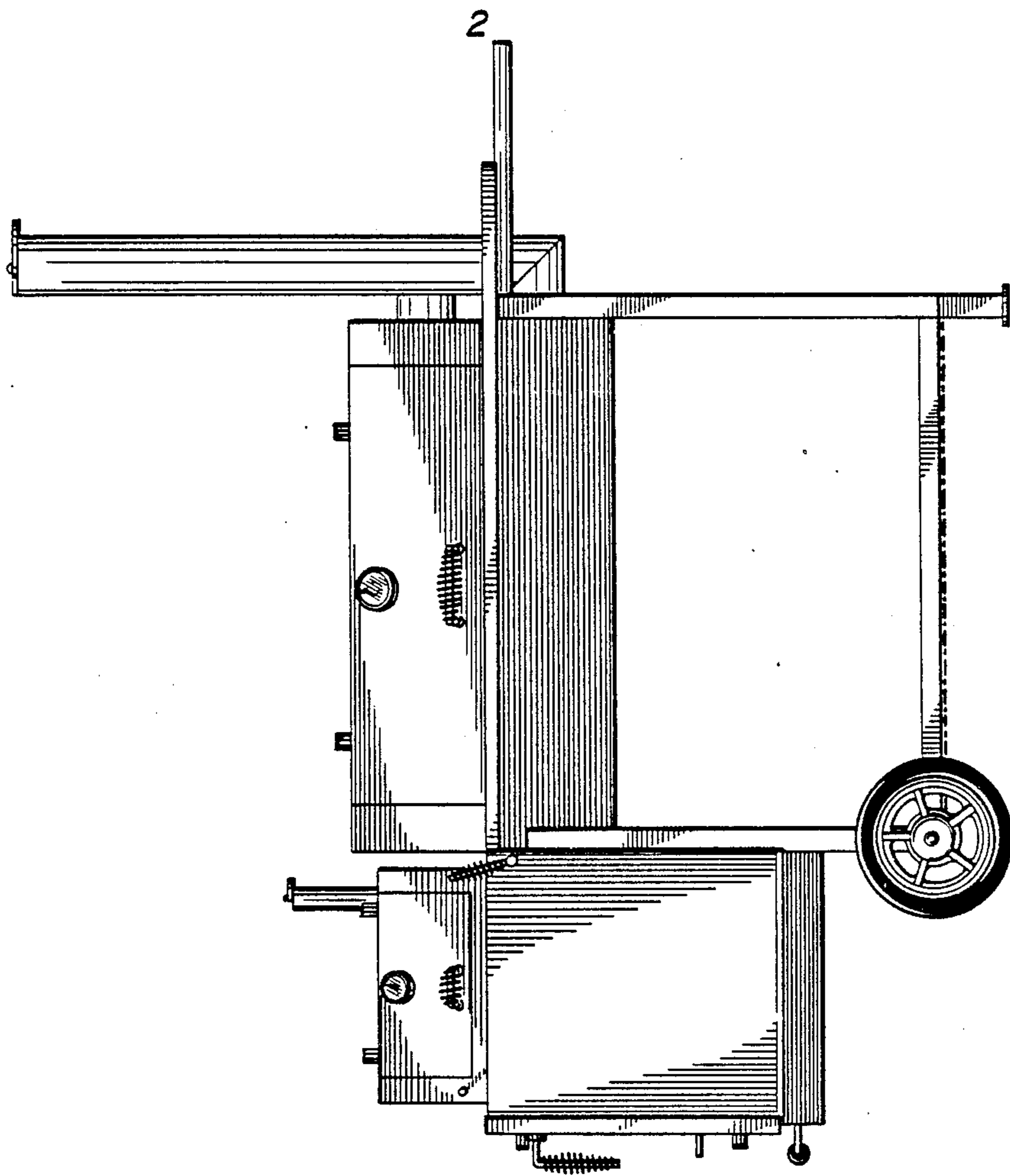


FIG. 4

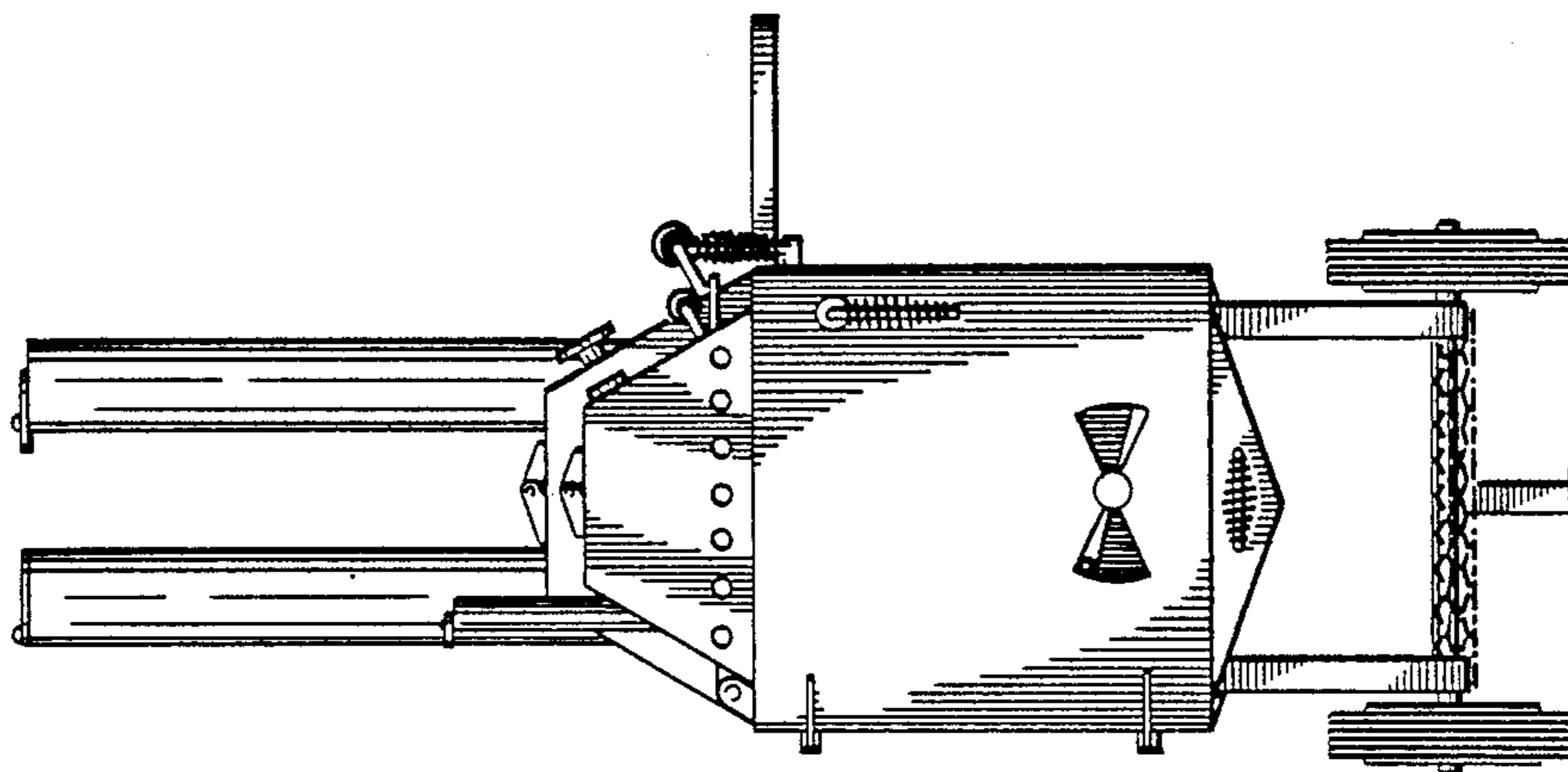


FIG. 3

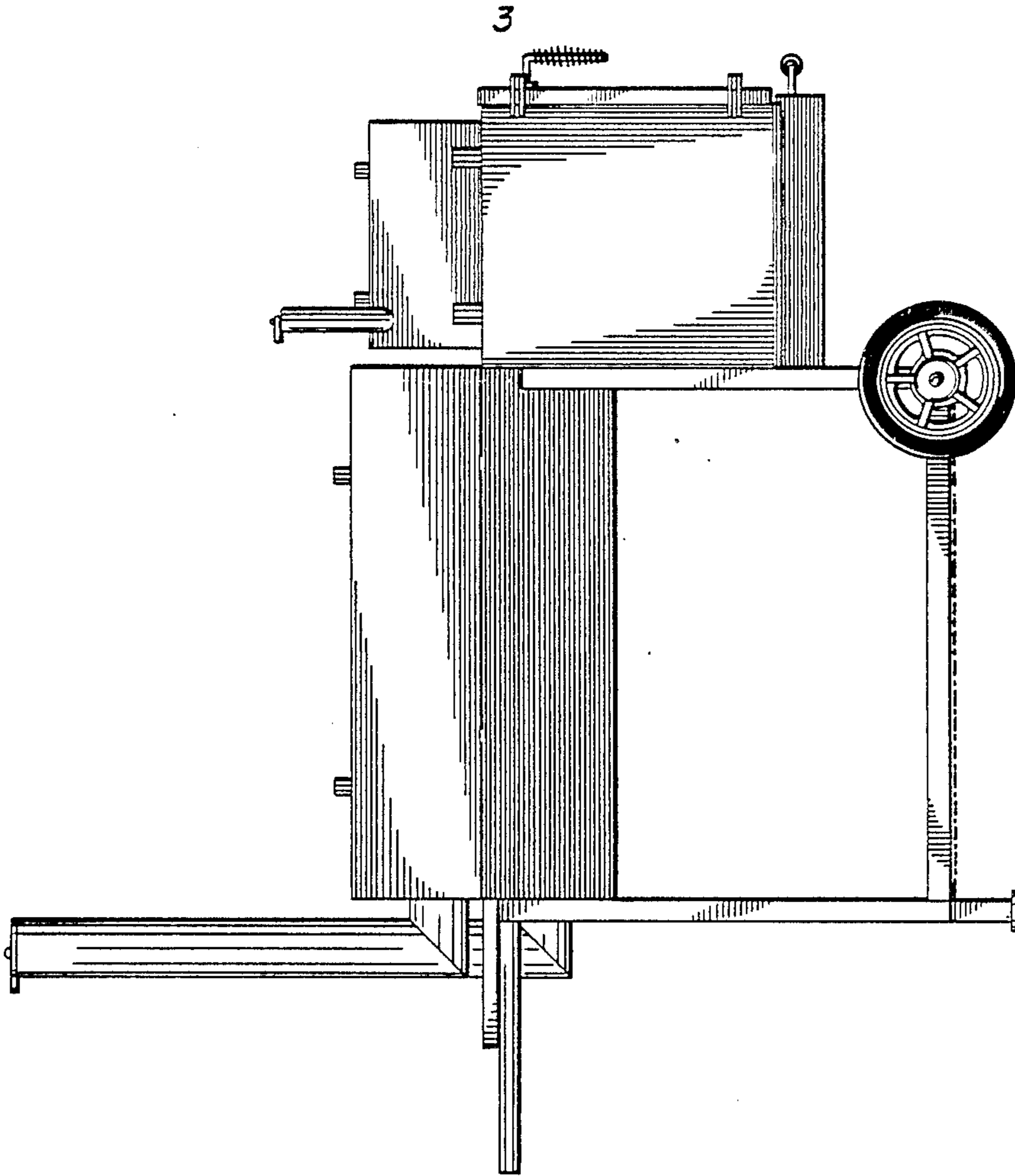


FIG. 6

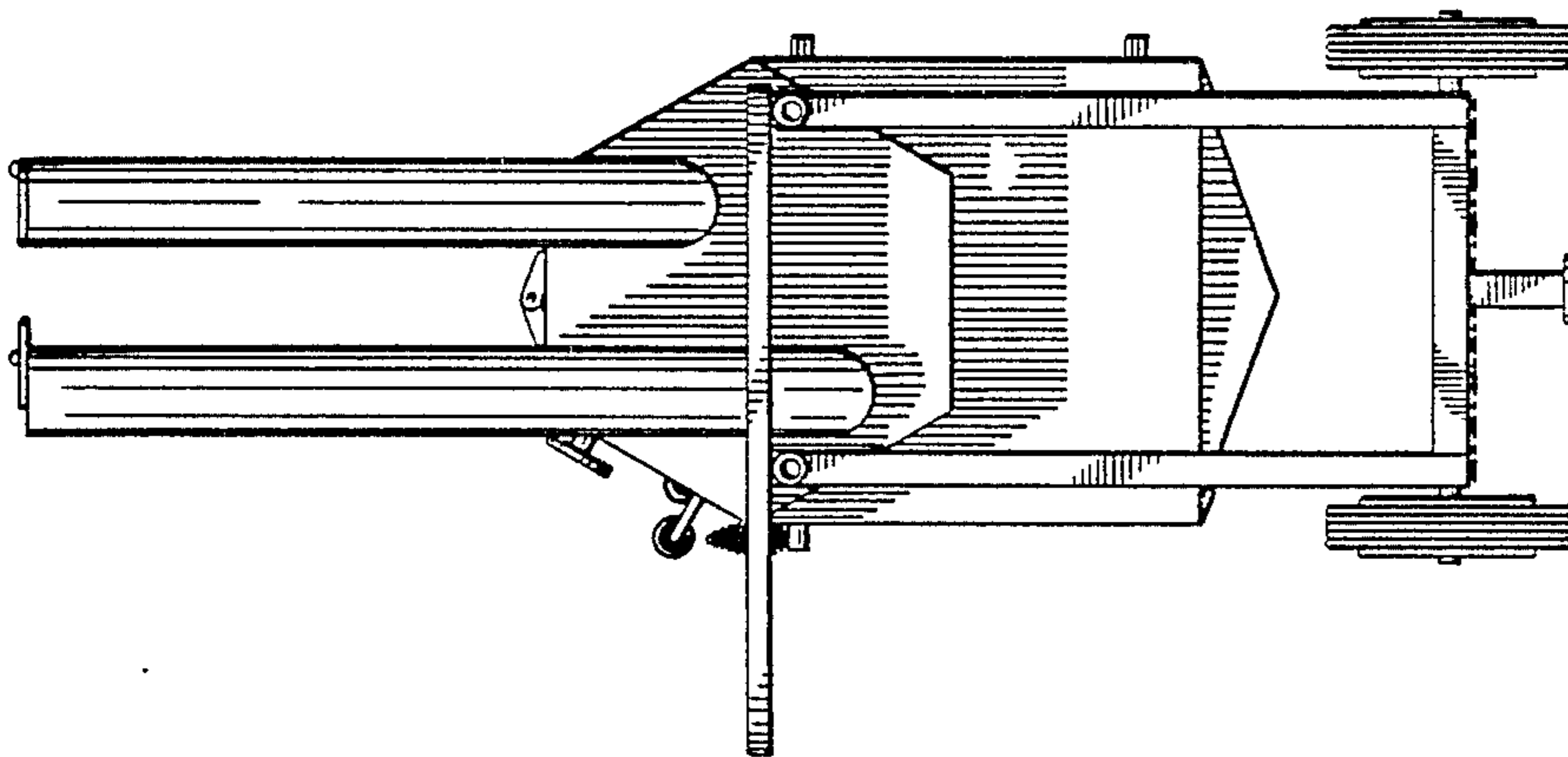


FIG. 5

4

FIG. 7

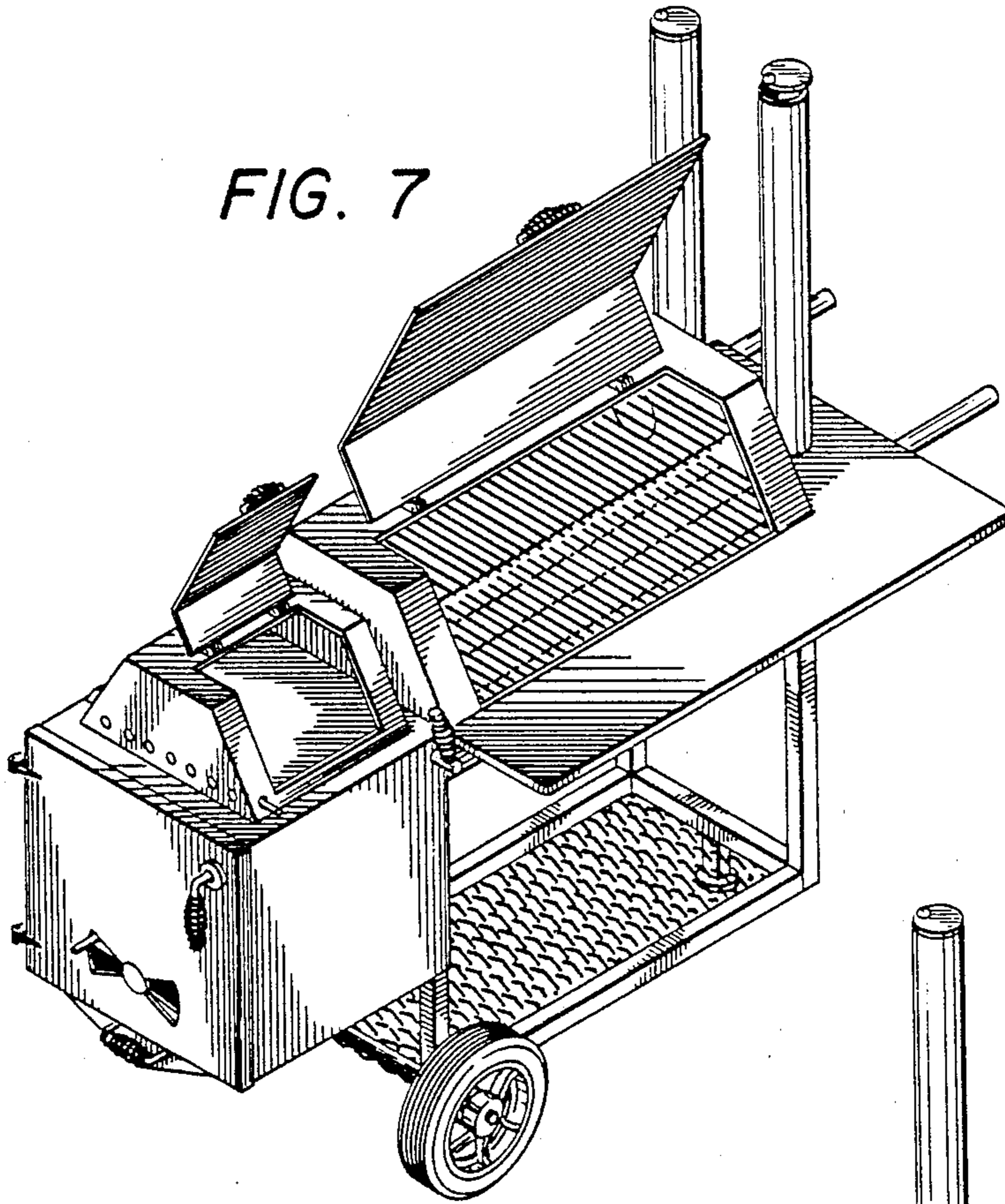


FIG. 8

