

[54] COMBINED KETTLE AND ASH CAN FOR BARBEQUE GRILL

[76] Inventor: **Ralph Ogden**, 1304 Fisher St.,  
Munster, Ind. 46321

[\*\*] Term: **14 Years**

[21] Appl. No.: **774,930**

[22] Filed: **Sep. 11, 1985**

[52] U.S. Cl. .... **D7/334**

[58] Field of Search ..... **D7/331-336,**  
**D7/337, 342, 341, 345, 347-348, 408-409,**  
**393-394, 395; 99/419, 421 R, 421 A, 421 H, 421**  
**HV, 444-446, 449-450; 126/25 R, 25 A, 25**  
**AA, 25 B, 26, 29-30, 2-3, 9 R, 36, 59, 152 R,**  
**152 A, 152 B, 153-154, 242-245; D8/316**

[56] **References Cited**

**U.S. PATENT DOCUMENTS**

3,126,881	3/1964	Blotsky, Jr. ....	126/245
3,330,266	7/1967	Stephen .....	126/25 R
4,331,123	5/1982	Alles et al. ....	126/9 R
4,453,530	6/1984	Schlosser .....	126/25 R
4,510,916	4/1985	Ogden .....	126/25 B

**OTHER PUBLICATIONS**

Hardware Consultant, Mar. 1962, p. 41 "Baldwin Door Pulls, item 982".

*Primary Examiner*—Susan J. Lucas  
*Assistant Examiner*—Ruth Takemoto  
*Attorney, Agent, or Firm*—Mann, McWilliams, Zummer & Sweeney

[57] **CLAIM**

The ornamental design for combined kettle and ash can for barbeque grill, substantially as shown and described.

**DESCRIPTION**

FIG. 1 is a perspective view of a combined kettle and ash can for barbeque grill, showing my new design, the legs, wheels and support brace are shown in broken lines for illustrative purposes only and form no part of the claimed design;  
FIG. 2 is a side elevational view thereof;  
FIG. 3 is a rear elevational view thereof;  
FIG. 4 is top plan view thereof;  
FIG. 5 is bottom plan view thereof;  
FIG. 6 is a front elevational view thereof; and  
FIG. 7 is an exploded front elevational view thereof with the legs shown fragmented for ease of illustration.

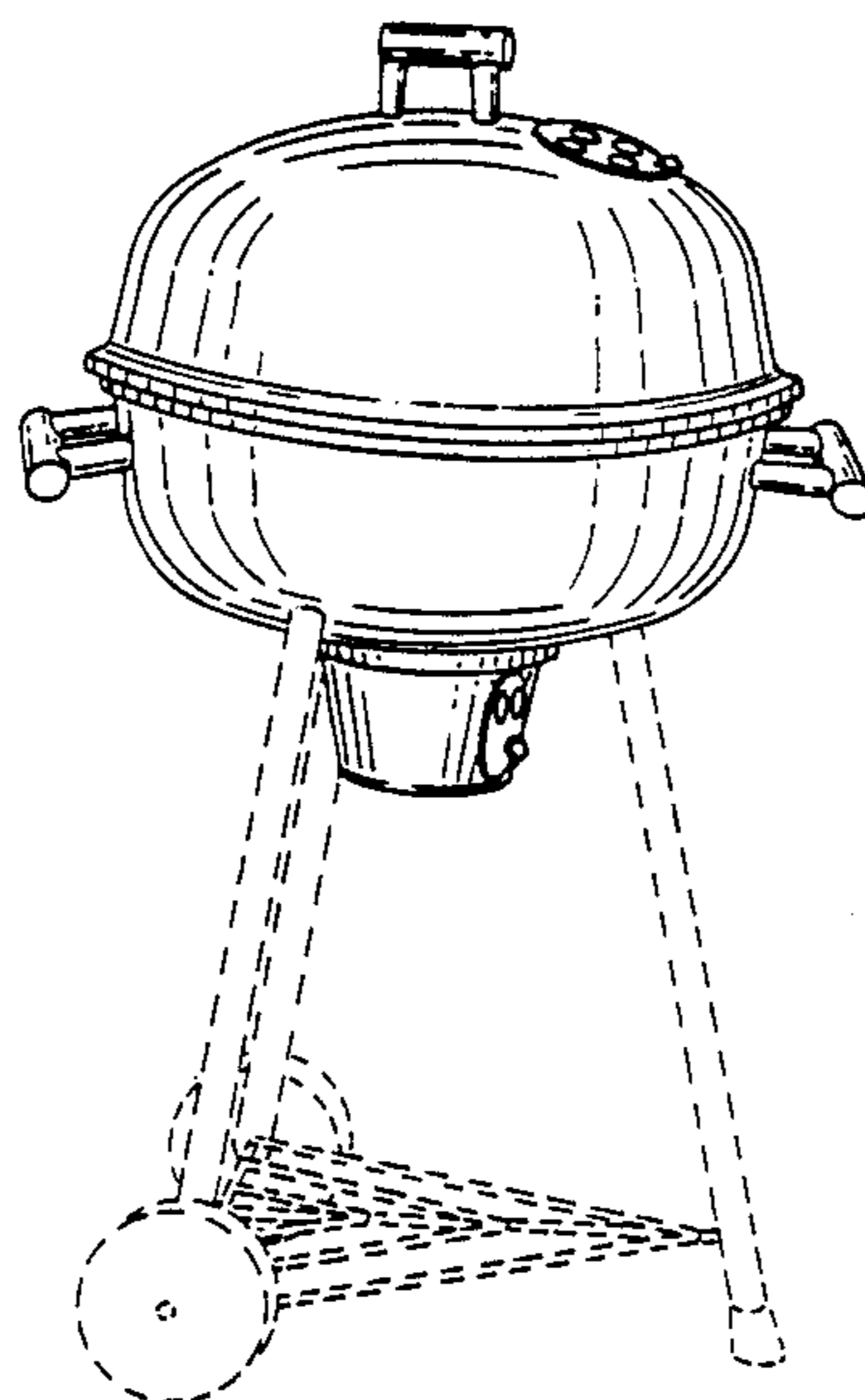


FIG-1-

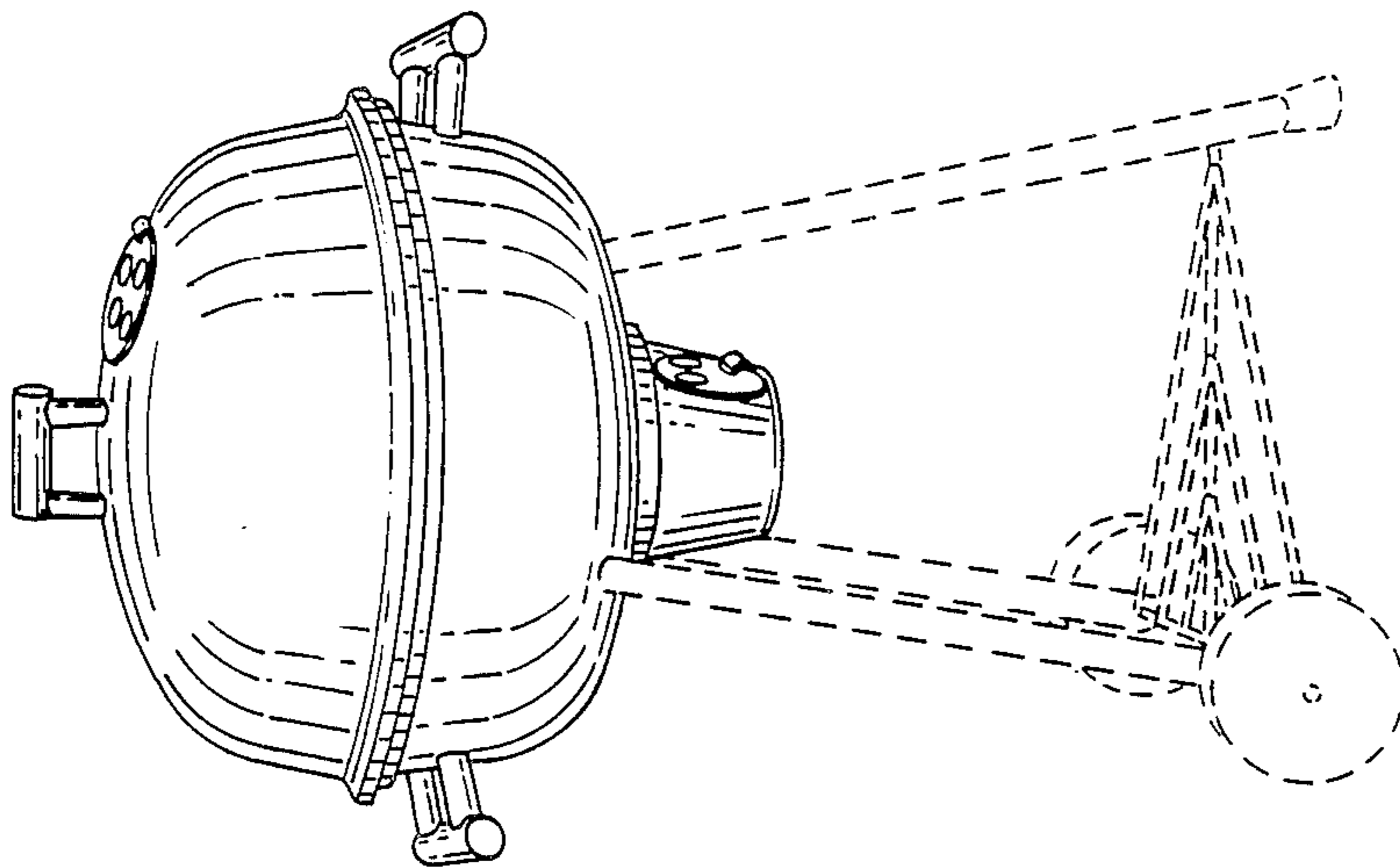


FIG-2-

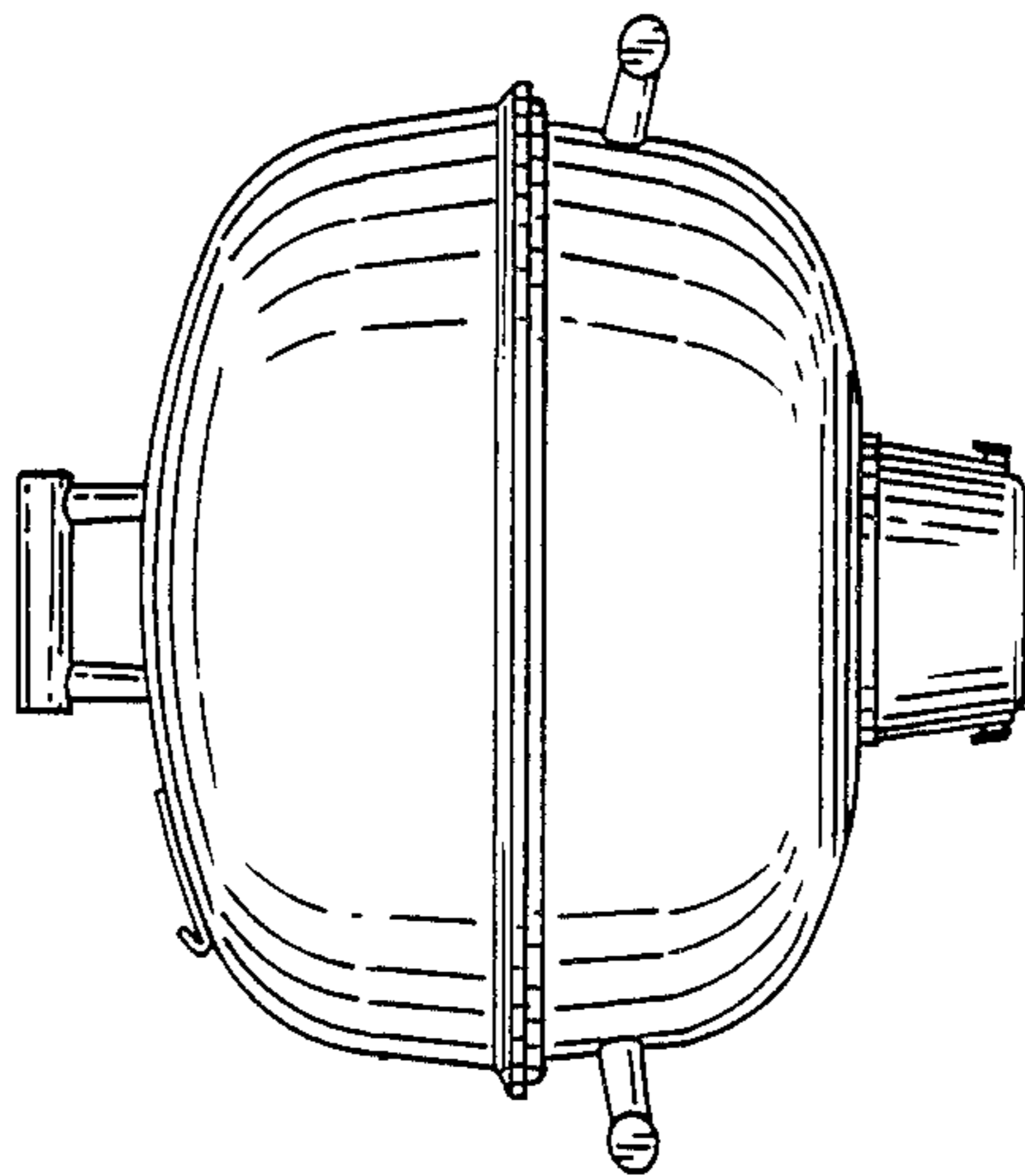


FIG-3-

