

[54] RACK FOR EMPTY BOTTLES

[76] Inventor: Gerard W. Gentile, 46 Delaware Ave., Commack, N.Y. 11725

[**] Term: 14 Years

[21] Appl. No.: 772,706

[22] Filed: Sep. 5, 1985

[52] U.S. Cl. D6/566; D6/462; D7/71; D34/42; D34/44

[58] Field of Search D6/462, 463, 464, 465, D6/566, 574; D34/42, 44; 211/74, 94.5, 106, 71; 294/87.28, 159; D7/71

[56] References Cited

U.S. PATENT DOCUMENTS

D. 200,617	3/1965	Smith	D6/566
D. 242,888	1/1977	Mazie et al.	D6/566
D. 280,280	8/1985	Pestone	D6/566
2,067,124	1/1937	Hoffman	294/87.28
2,420,191	5/1947	Ransom	294/87.28
2,559,060	7/1951	Zenick	294/87.28

2,732,096	1/1956	Siciliano	D34/42 X
3,214,031	10/1965	McCauley	D7/71 X
4,343,405	8/1982	Virte et al.	211/106 X

FOREIGN PATENT DOCUMENTS

228338	2/1925	United Kingdom	211/106
805348	12/1958	United Kingdom	211/106

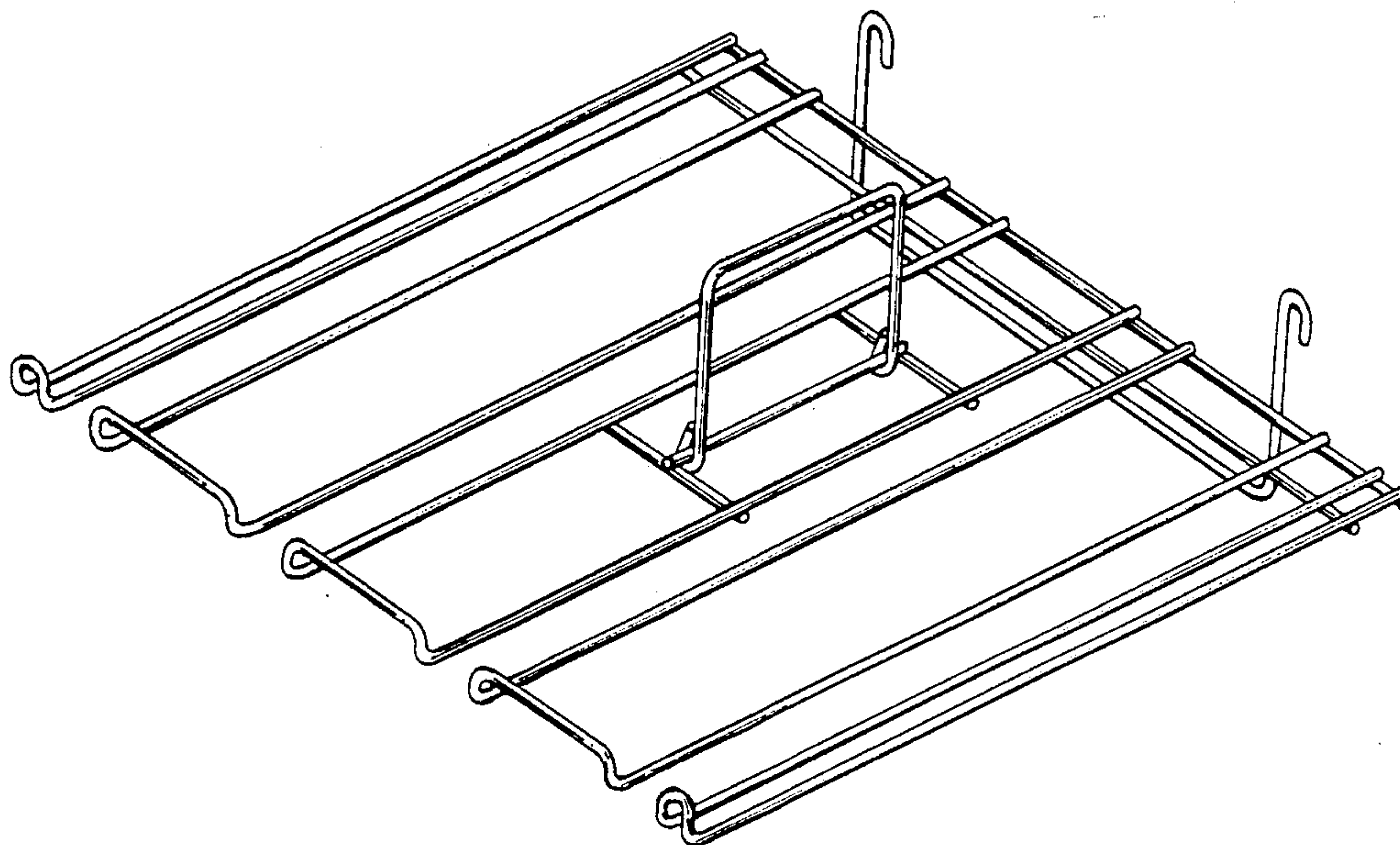
Primary Examiner—Carmen H. Vales
Attorney, Agent, or Firm—Goodman & Teitelbaum

[57] CLAIM

The ornamental design for a rack for empty bottles, substantially as shown.

DESCRIPTION

FIG. 1 is a perspective view of a rack for empty bottles, showing my new design;
FIG. 2 is a top plan view thereof;
FIG. 3 is a bottom plan view thereof;
FIG. 4 is a front elevational view thereof;
FIG. 5 is a rear elevational view thereof;
FIG. 6 is a right side elevational view thereof; and
FIG. 7 is a left side elevational view thereof.



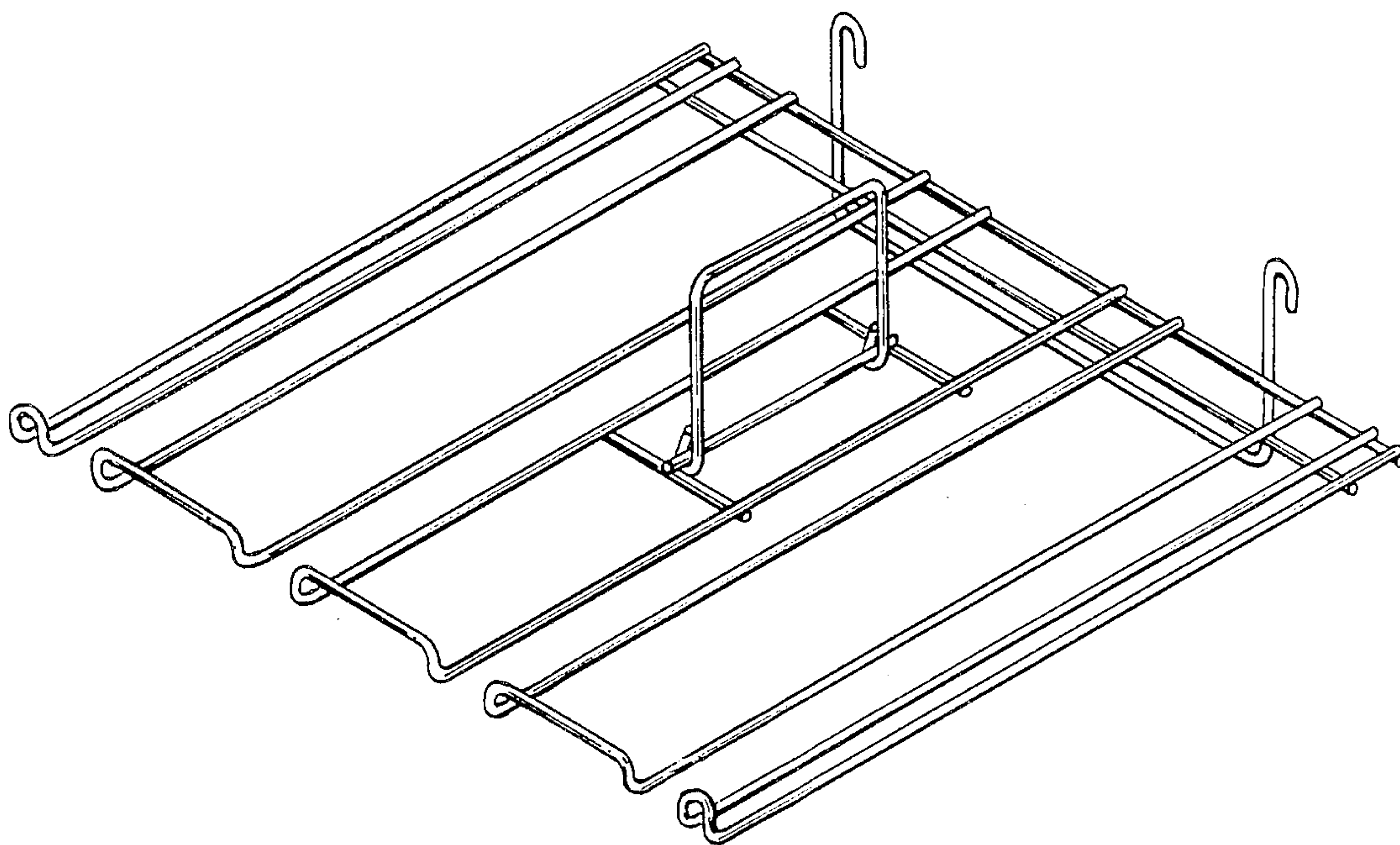


FIG. 1

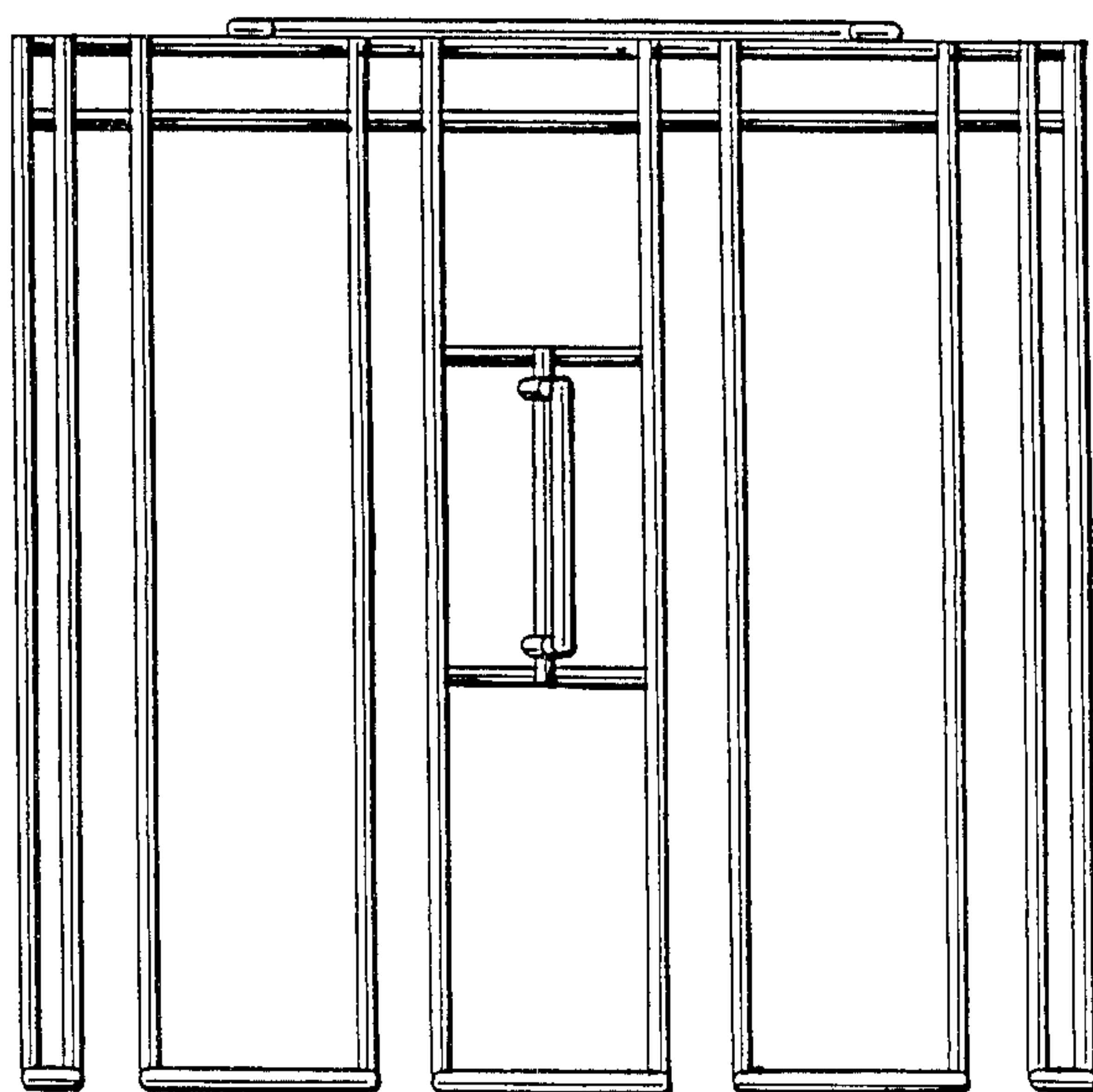


FIG. 2

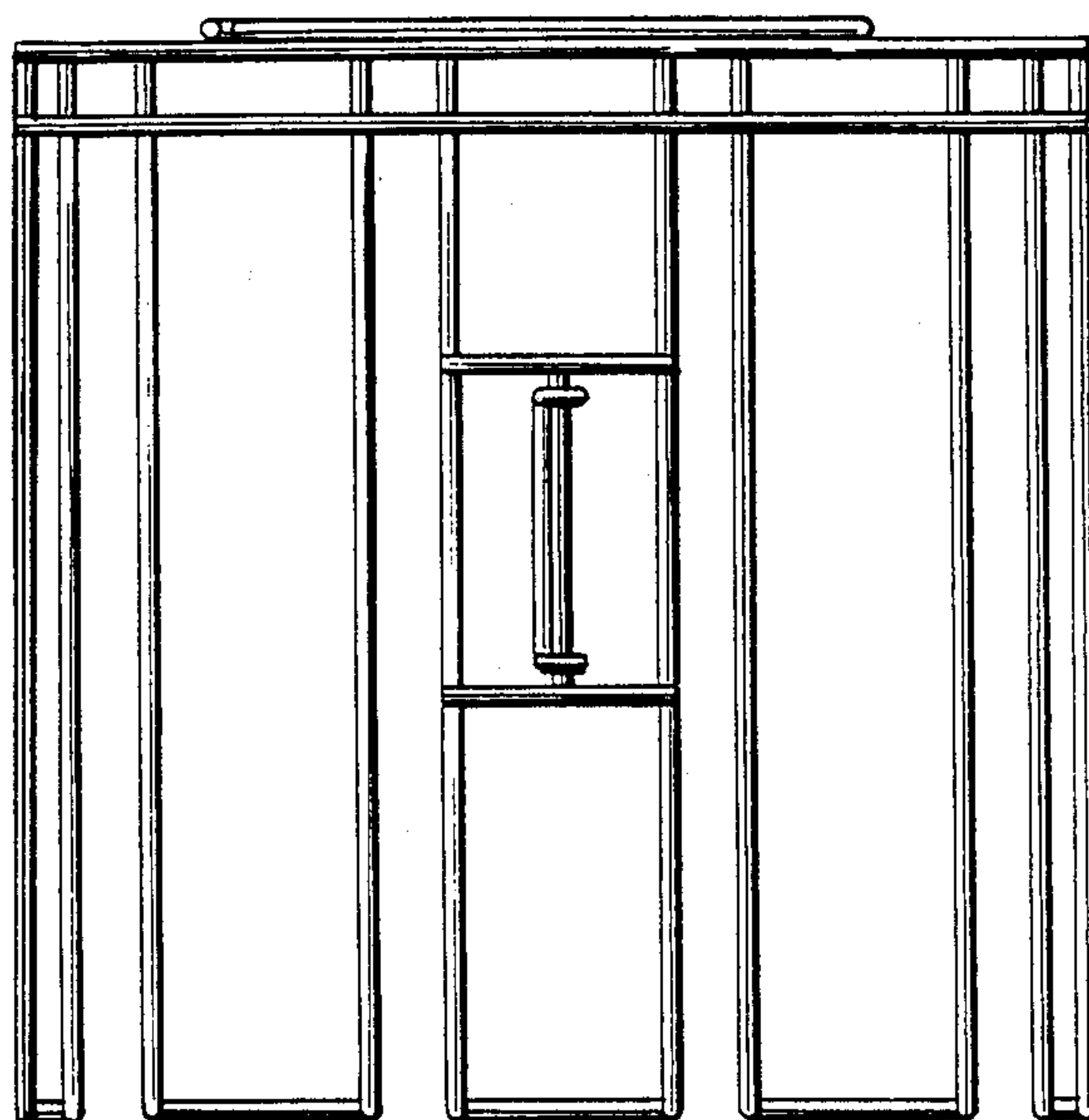


FIG. 3

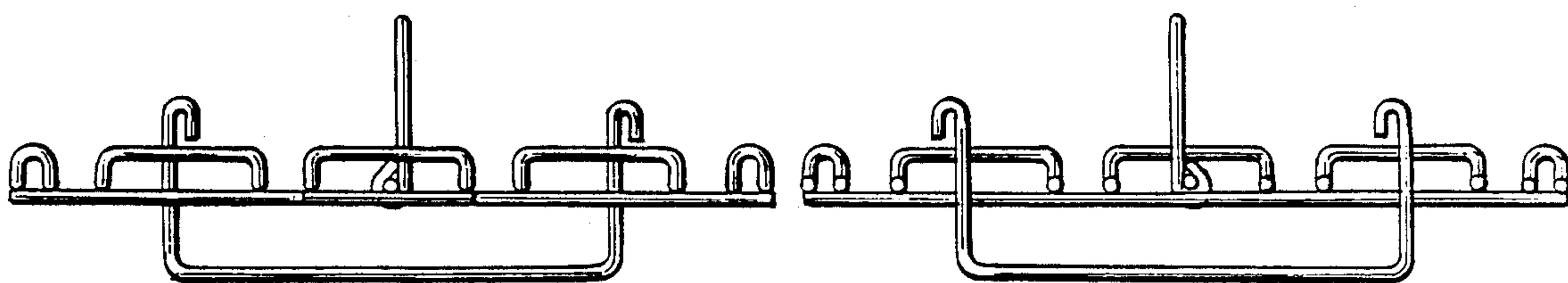


FIG. 4

FIG. 5

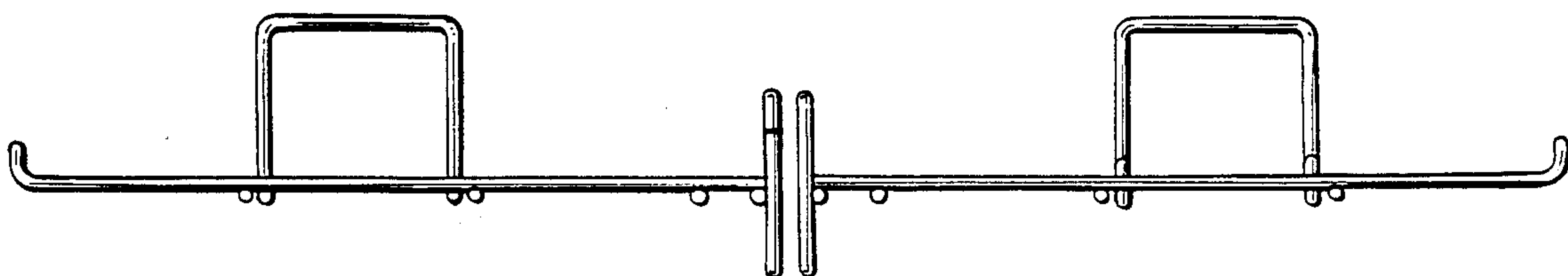


FIG. 6

FIG. 7