

[54] **WRAP RACK**

[75] **Inventor: John P. Chap, Lemont, Ill.**

[73] **Assignee: Selfix, Inc., Chicago, Ill.**

[**] **Term: 14 Years**

[21] **Appl. No.: 766,181**

[22] **Filed: Aug. 16, 1985**

[52] **U.S. Cl. D6/465**

[58] **Field of Search D6/462, 463, 464, 465,
D6/466, 467, 468; 211/13, 119, 181, 126;
294/161**

[56] **References Cited**

U.S. PATENT DOCUMENTS

3,606,949 9/1971 Joyce 294/161 X

Primary Examiner—Carmen H. Vales

Attorney, Agent, or Firm—Dressler, Goldsmith, Shore,
Sutker & Milnamow, Ltd.

[57] **CLAIM**

The ornamental design for a wrap rack, substantially as shown and described.

DESCRIPTION

FIG. 1 is a perspective view of a wrap rack showing my new design;

FIG. 2 is a side elevational view thereof, the opposite side being a mirror image;

FIG. 3 is a front elevational view thereof; and

FIG. 4 is a top plan view thereof.

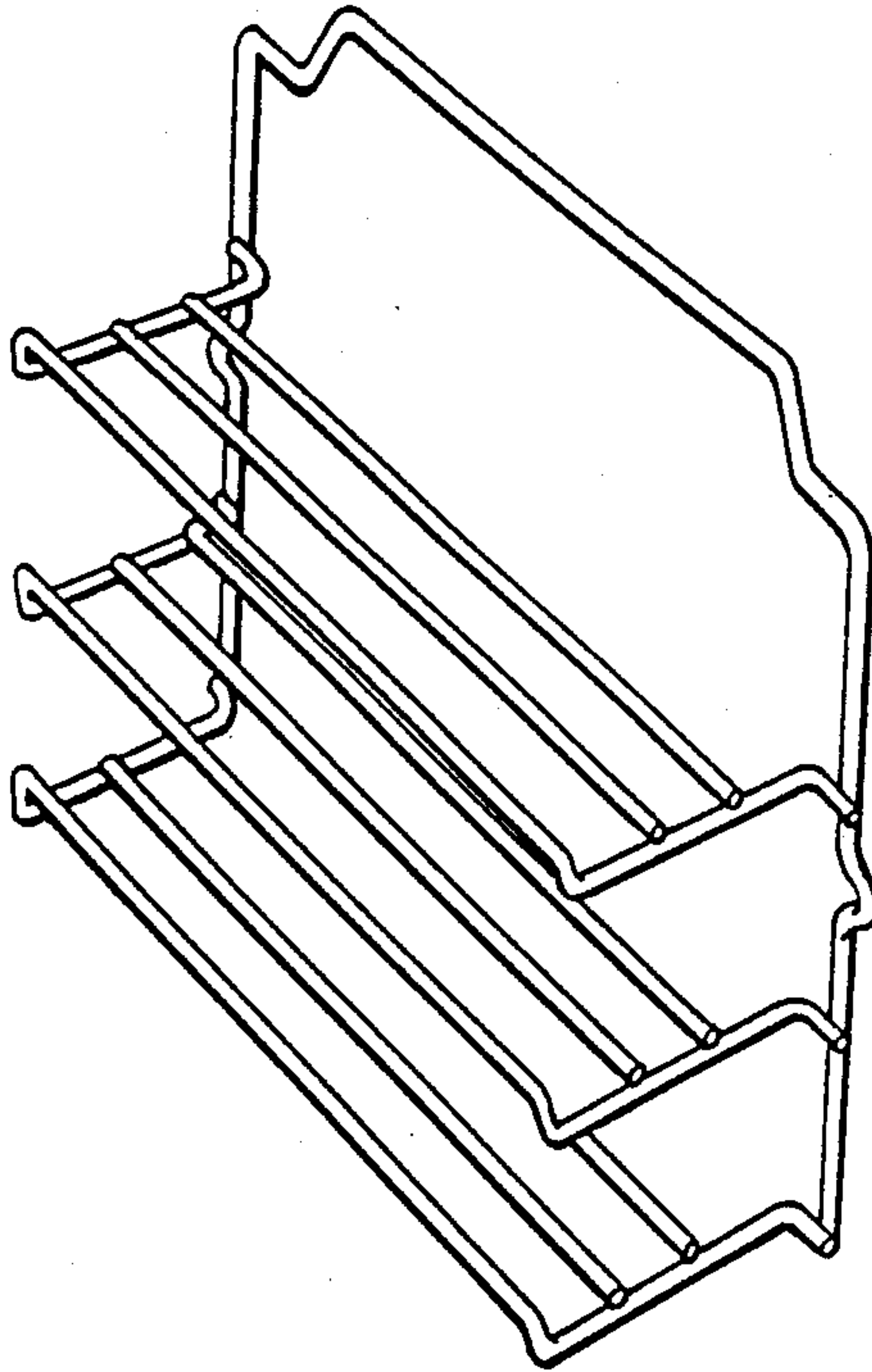


FIG. 1

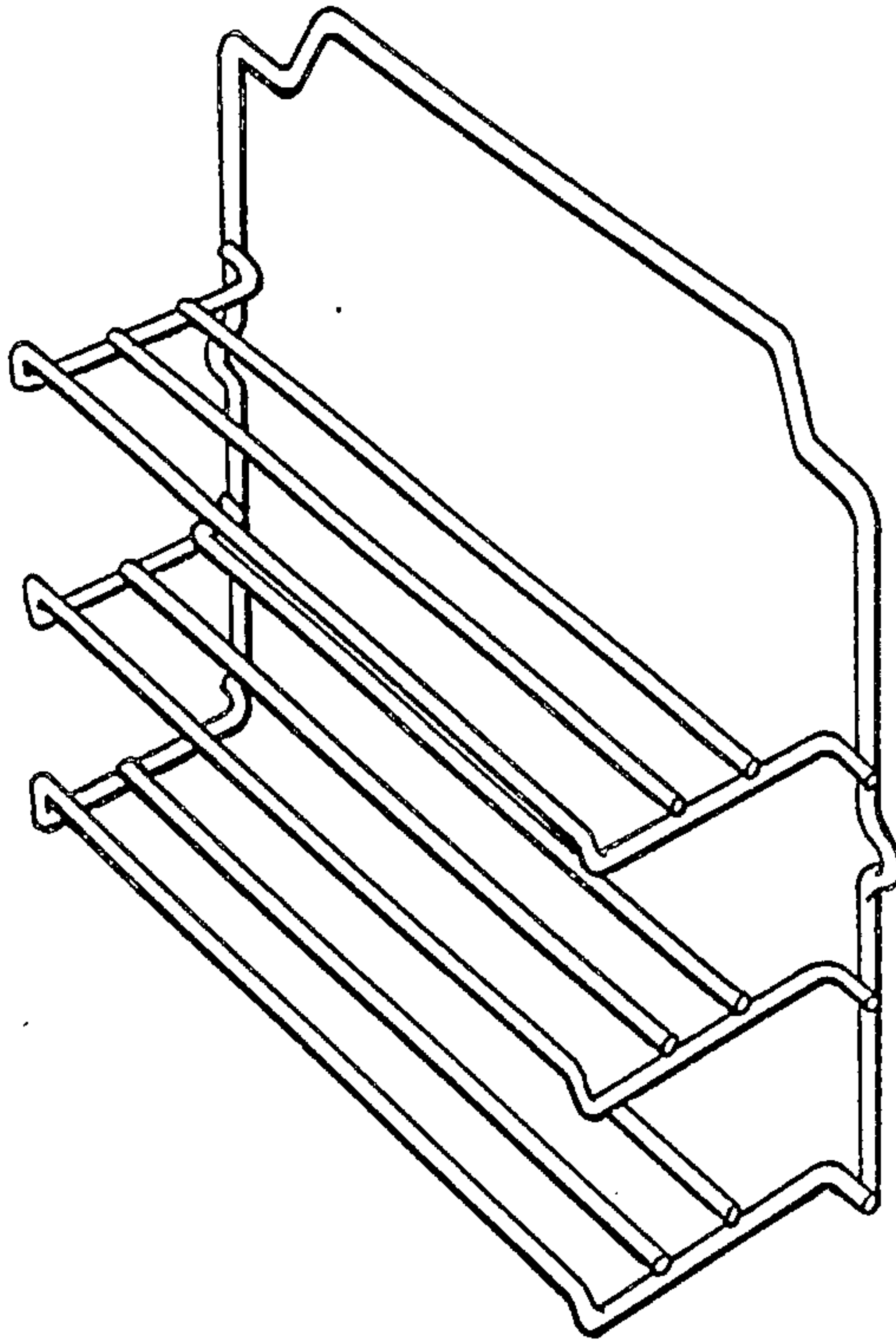


FIG. 2

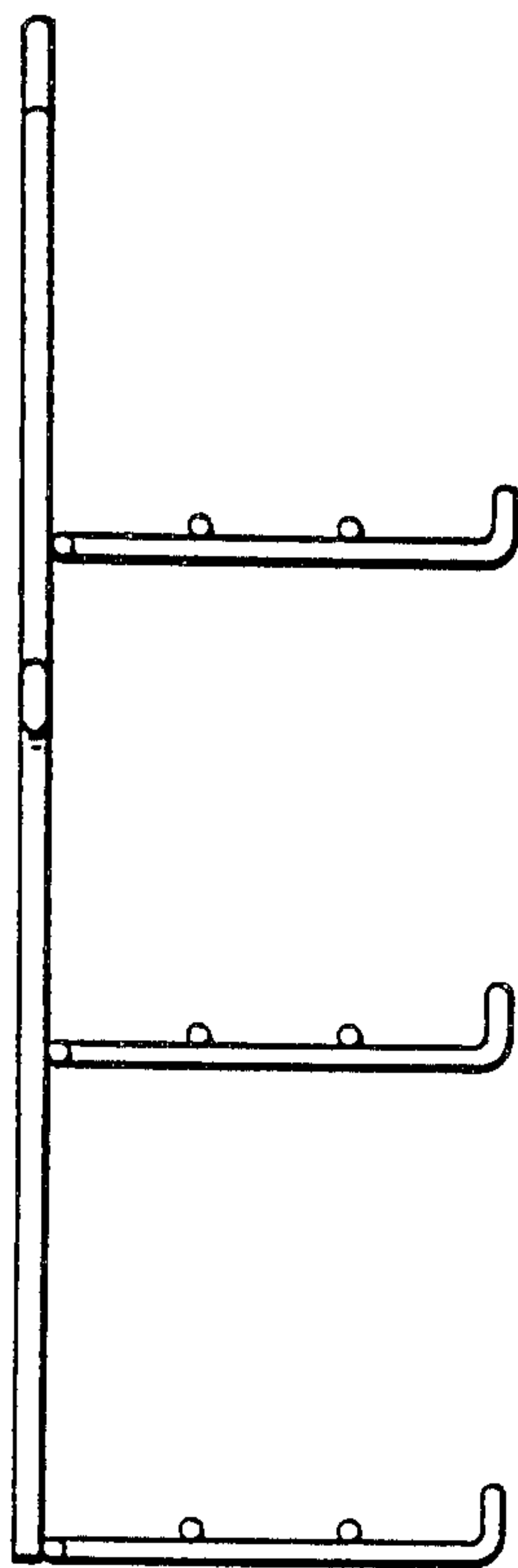


FIG. 3

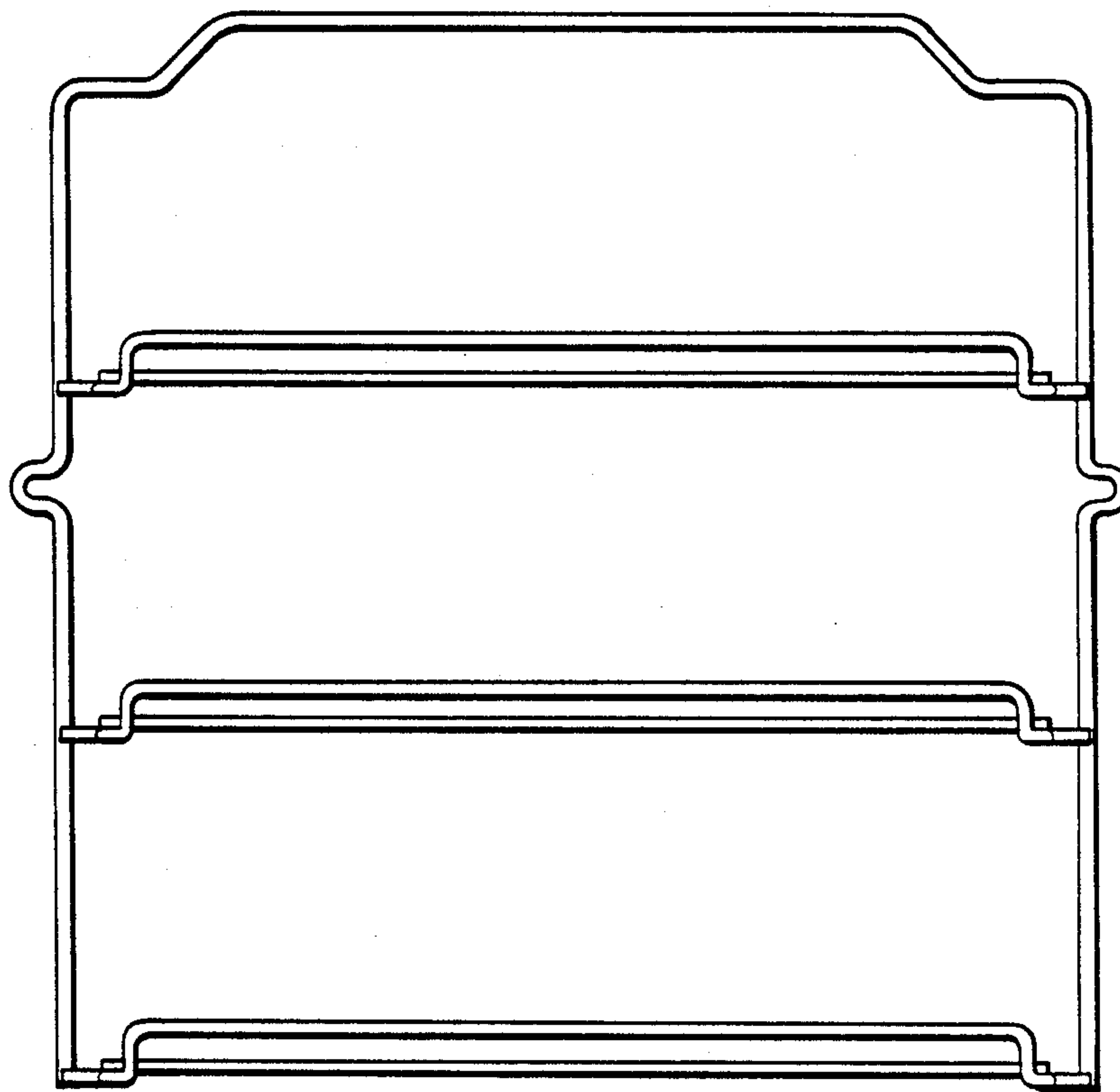


FIG. 4

