

[54] **SHELF MOUNTED MUG AND CUP RACK**

3,568,850 3/1971 Rogers ..... 211/71  
4,456,125 6/1984 Chap ..... 211/119 X

[75] **Inventor: John P. Chap, Lemont, Ill.**

[73] **Assignee: Selfix, Inc., Chicago, Ill.**

[\*\*] **Term: 14 Years**

[21] **Appl. No.: 766,715**

[22] **Filed: Aug. 19, 1985**

[52] **U.S. Cl. .... D6/462; D7/71**

[58] **Field of Search ..... D6/462, 463, 408, 464,  
D6/465, 466, 467, 468, 566; 211/51, 59.2, 59.3,  
181, 13, 71, 113, 94, 119, 106; D7/71**

[56] **References Cited**

**U.S. PATENT DOCUMENTS**

2,600,096 6/1952 Cooper et al. .... D7/71 X  
3,469,710 9/1969 Vosbikian ..... 211/119 X

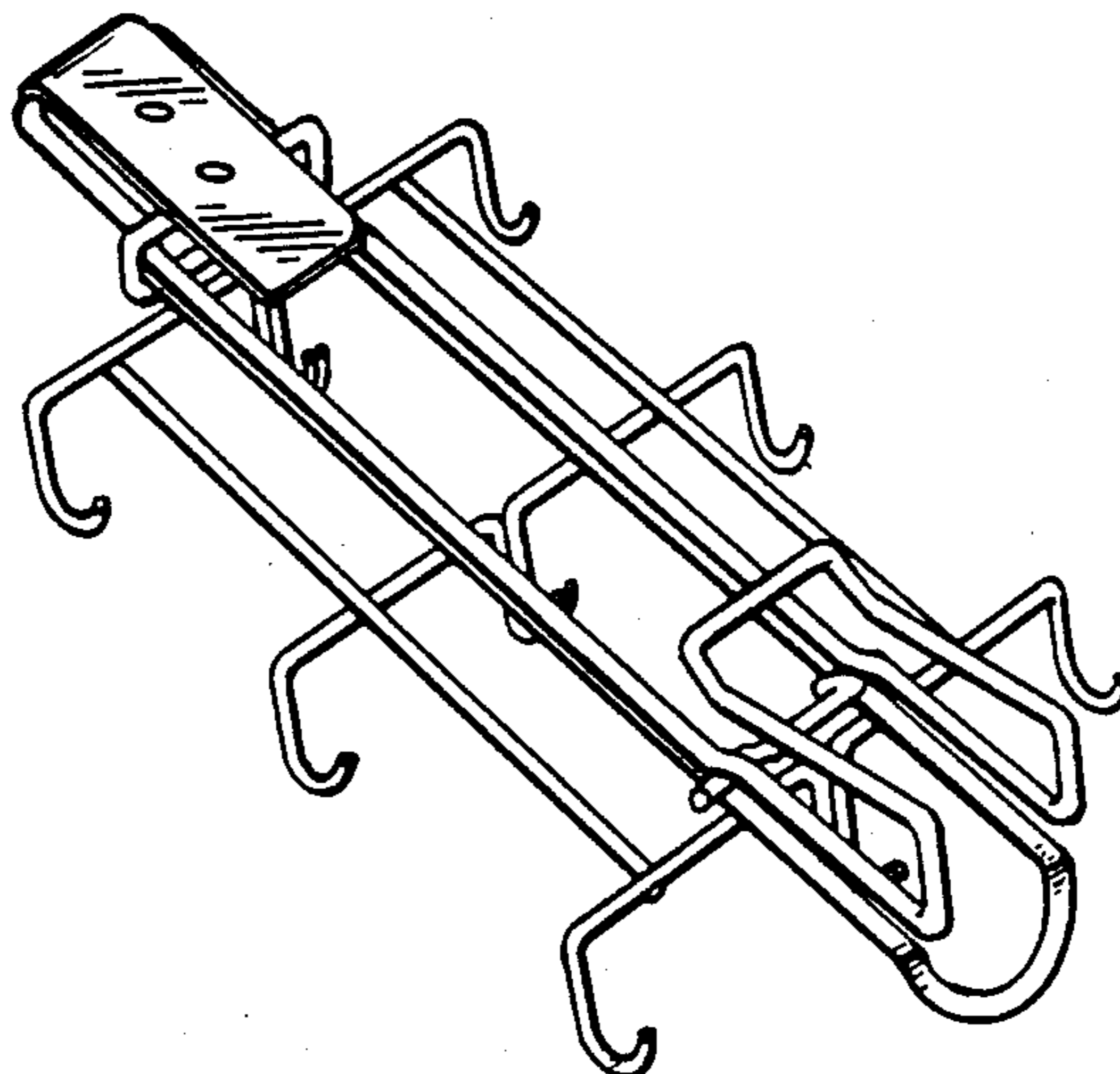
*Primary Examiner*—Carmen H. Vales  
*Attorney, Agent, or Firm*—Dressler, Goldsmith, Shore,  
Sutker & Milnamow, Ltd.

[57] **CLAIM**

The ornamental design for a shelf mounted mug and cup rack, substantially as shown and described.

**DESCRIPTION**

FIG. 1 is a perspective view of a shelf mounted mug and cup rack showing my new design;  
FIG. 2 is a front elevational view thereof;  
FIG. 3 is a rear elevational view thereof;  
FIG. 4 is a top plan view thereof;  
FIG. 5 is a side elevational view thereof, the opposite side being a mirror image; and  
FIG. 6 is a bottom plan view thereof.



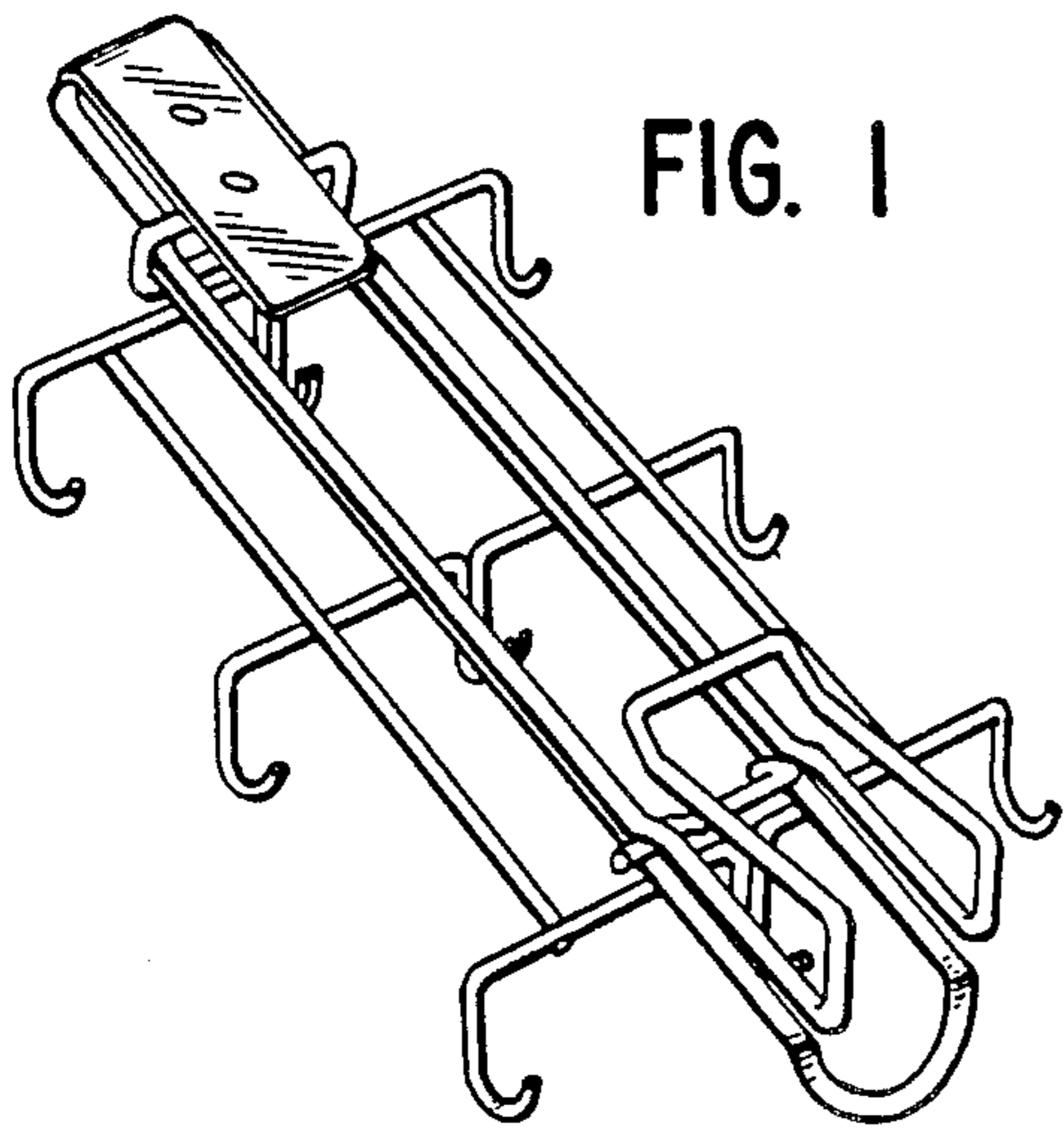


FIG. 1

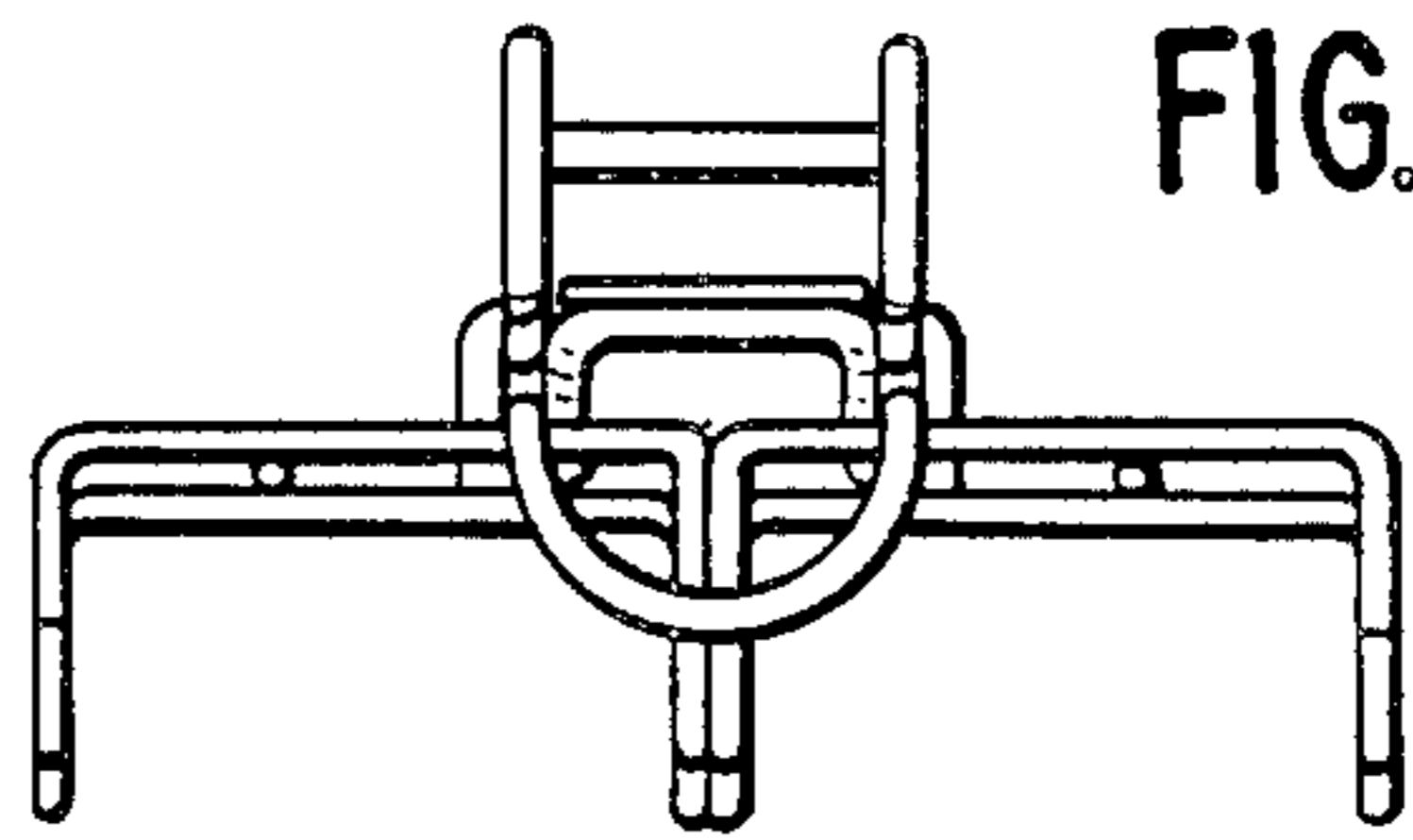


FIG. 2

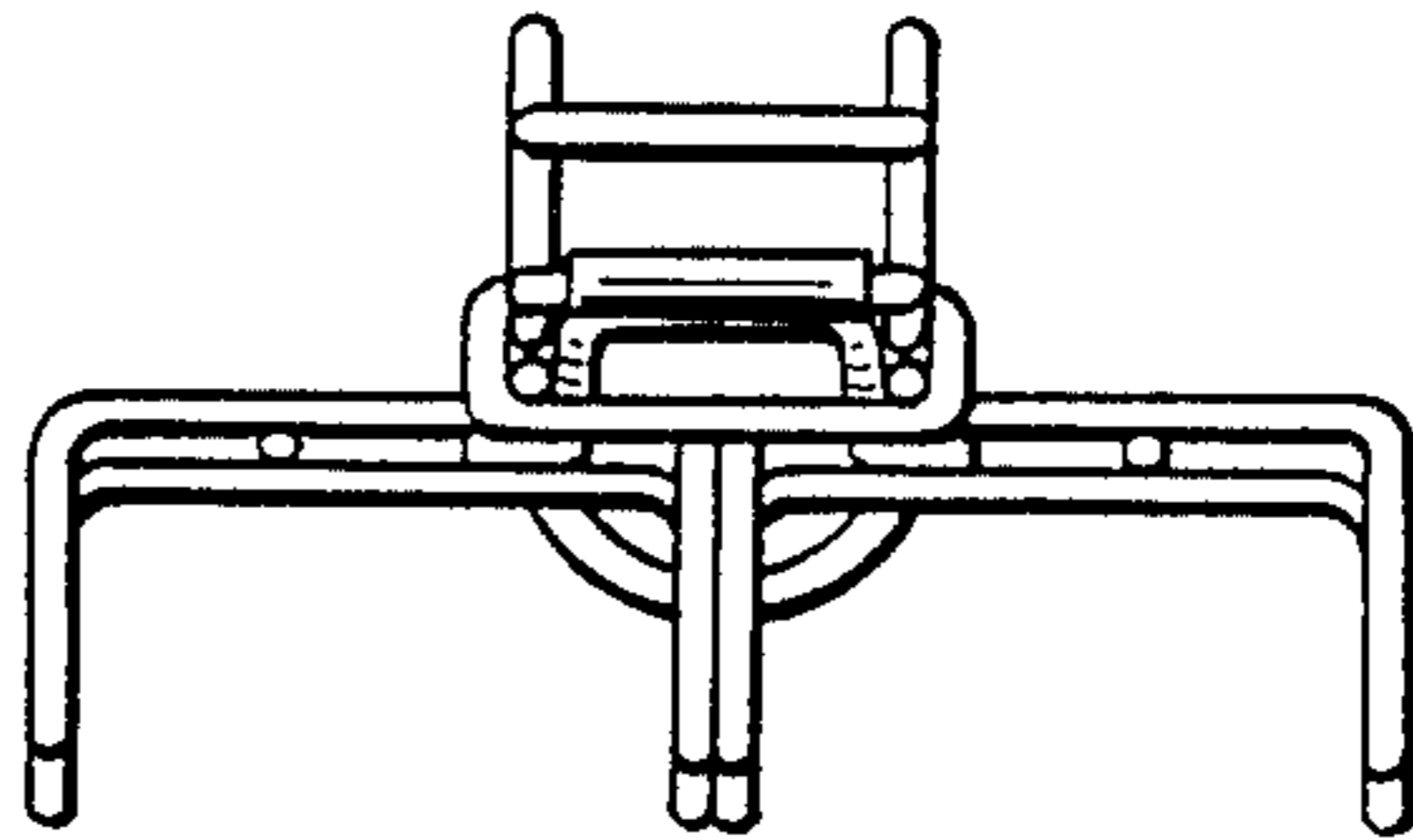


FIG. 3

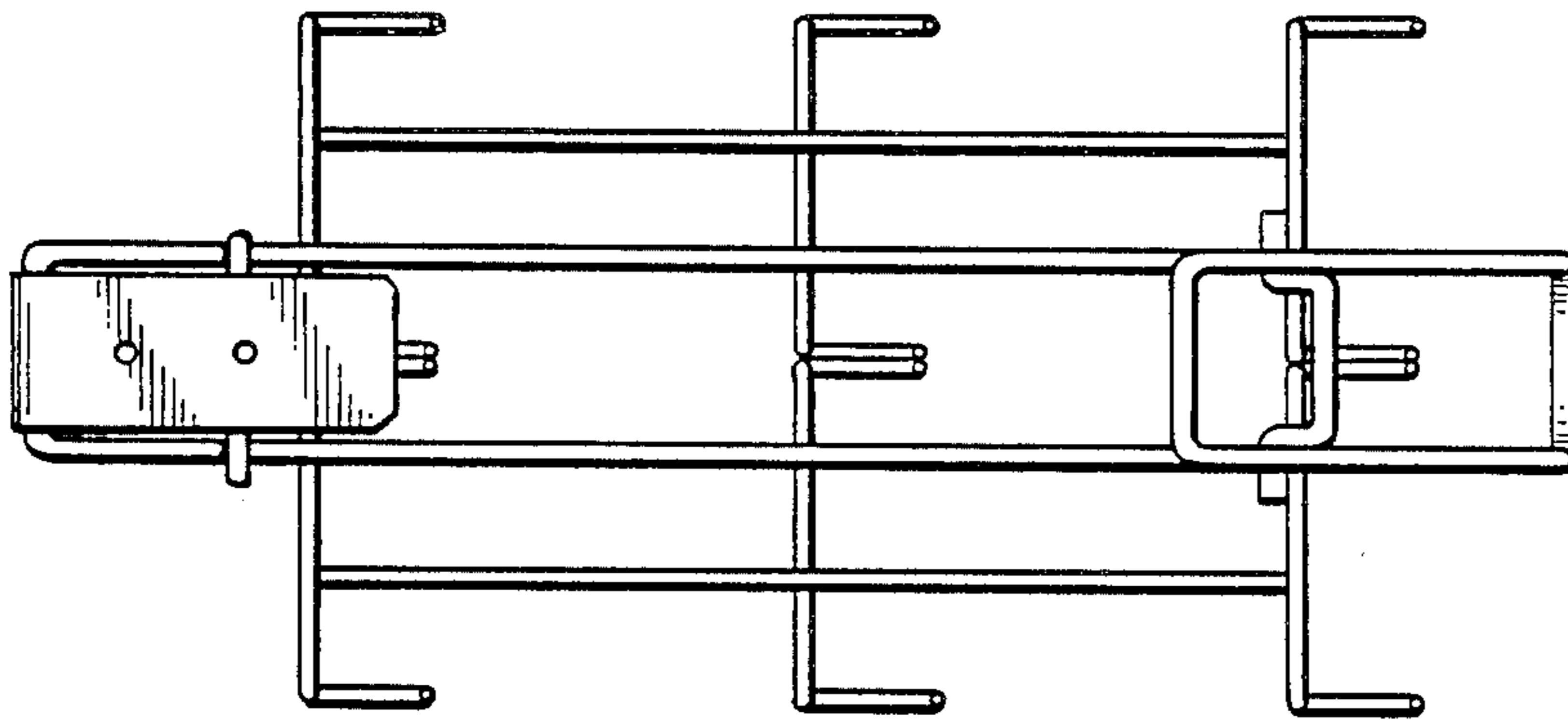


FIG. 4

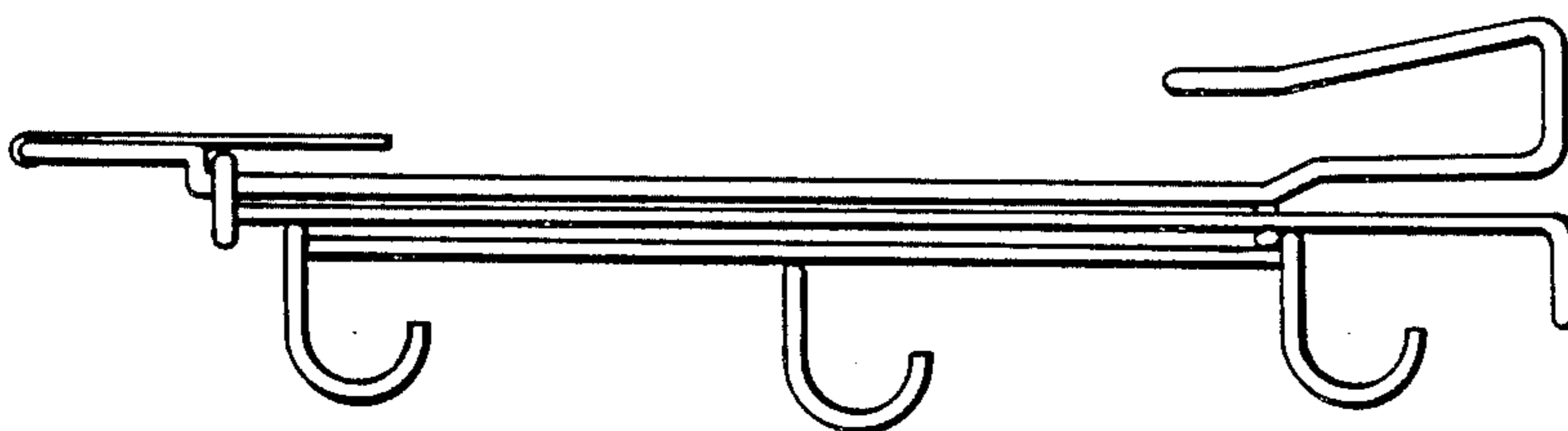


FIG. 5

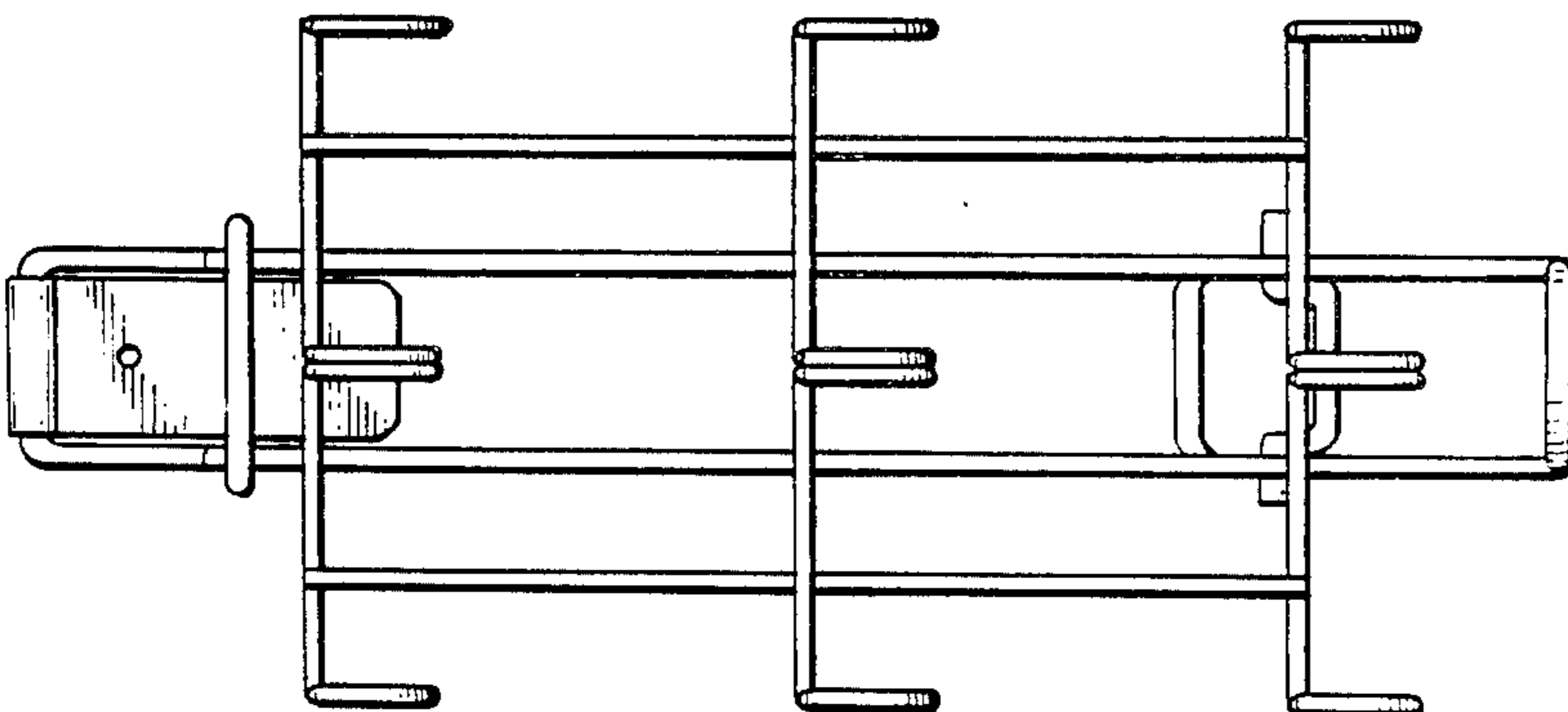


FIG. 6