

[54] **LID RACK**

[75] **Inventor: John P. Chap, Lemont, Ill.**
[73] **Assignee: Selfix, Inc., Chicago, Ill.**
[**] **Term: 14 Years**
[21] **Appl. No.: 766,714**
[22] **Filed: Aug. 19, 1985**
[52] **U.S. Cl. D6/462**
[58] **Field of Search D6/462, 463, 464, 465,**
D6/466, 468; 211/40, 41, 42, 43, 181; D7/76,
411

[56] **References Cited**

U.S. PATENT DOCUMENTS

D. 28,437	3/1898	Jones	D6/463
D. 175,245	8/1955	Bertone	D6/462
D. 189,356	11/1960	Kolkey	D6/462
D. 192,017	1/1962	Moore	D6/463
2,238,451	4/1941	Roth	211/40

OTHER PUBLICATIONS

Washburn Co., Cat. K-228; p. 36; Custard Cup Frame item #3144 center of page.
Country Gourmet ©1974, p. 28; Dish Rack #5311, center left on page.

Primary Examiner—Carmen H. Vales
Attorney, Agent, or Firm—Dressler, Goldsmith, Shore, Sutker & Milnamow, Ltd.

[57] **CLAIM**

The ornamental design for a lid rack, substantially as shown and described.

DESCRIPTION

FIG. 1 is a perspective view of a lid rack showing my new design;
FIG. 2 is an end elevational view thereof, the opposite end being a mirror image;
FIG. 3 is a top plan view thereof; and
FIG. 4 is a side elevational view thereof.

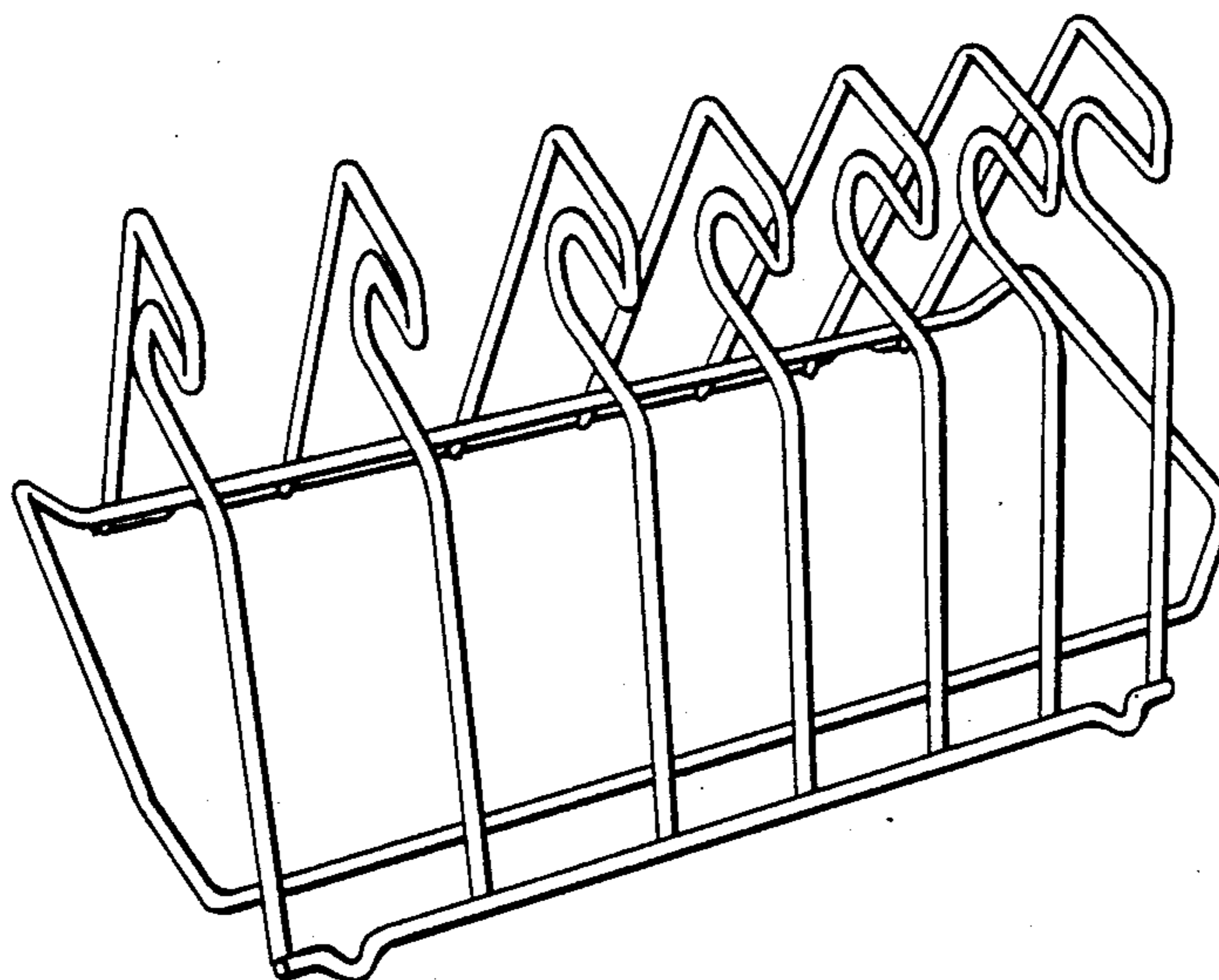


FIG. 1

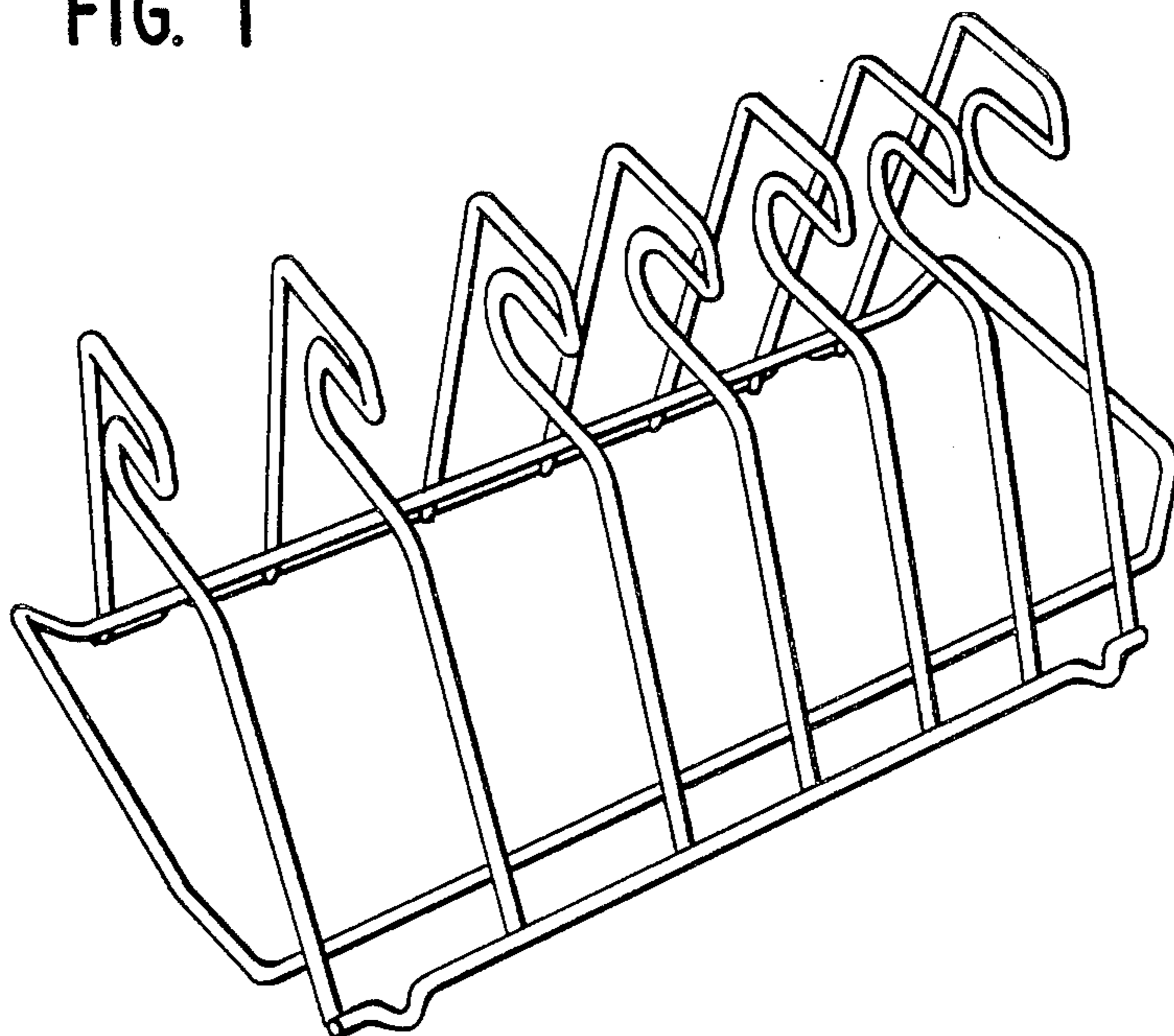


FIG. 2

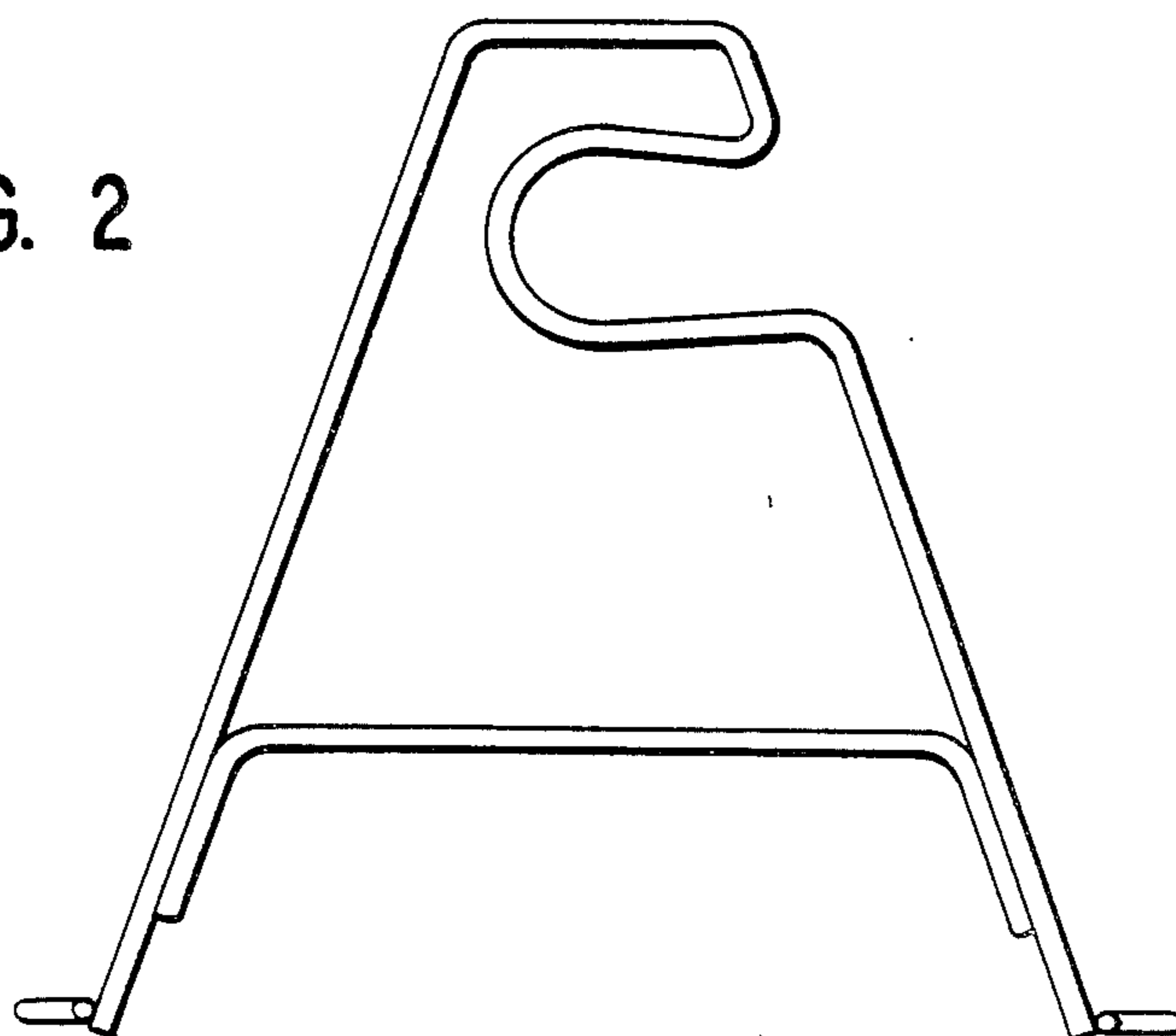


FIG. 3

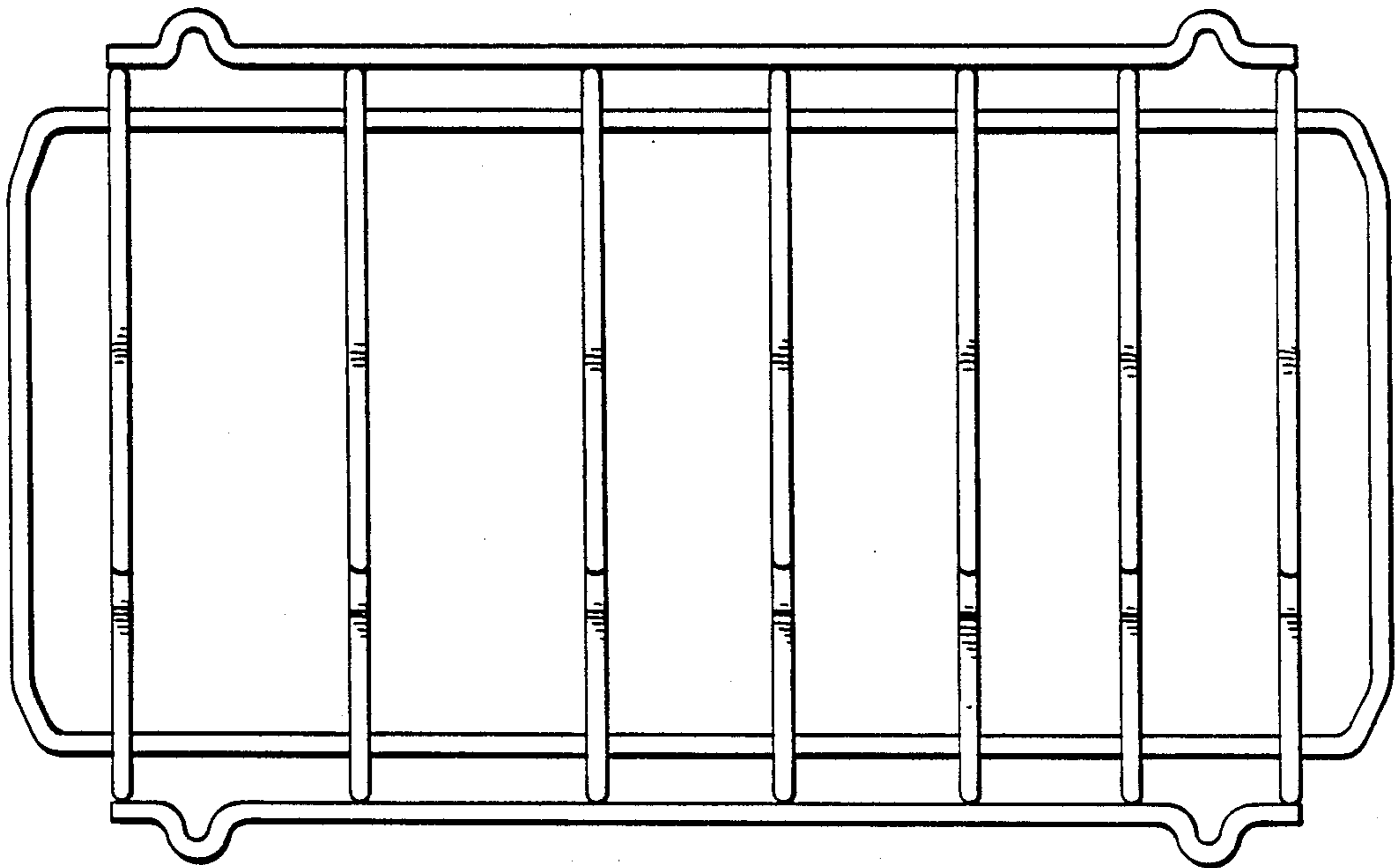


FIG. 4

