

United States Patent [19]

Jaquish

[11] Patent Number: Des. 295,124

[45] Date of Patent: ** Apr. 12, 1988

[54] DISPLAY CASE FOR WATCH BANDS

[75] Inventor: John Jaquish, Brewster, N.Y.

[73] Assignee: Textron, Inc., Providence, R.I.

[**] Term: 14 Years

[21] Appl. No.: 775,815

[22] Filed: Sep. 13, 1985

[52] U.S. Cl. D6/461

[58] Field of Search D6/455, 457, 461;
211/13, 70, 163

4,548,324 10/1985 Mackey, Jr. 211/163 X
4,609,975 9/1986 Badolato et al. 211/13 X

OTHER PUBLICATIONS

Jewelers' Circular Keystone Directory '80, p. 533; Watch Strap Merchandiser on page by Hadley Kalbé.

Primary Examiner—Carmen H. Vales
Attorney, Agent, or Firm—Samuels, Gauthier Stevens & Kehoe

[57] CLAIM

The ornamental design for a display case for watch bands, as shown and described.

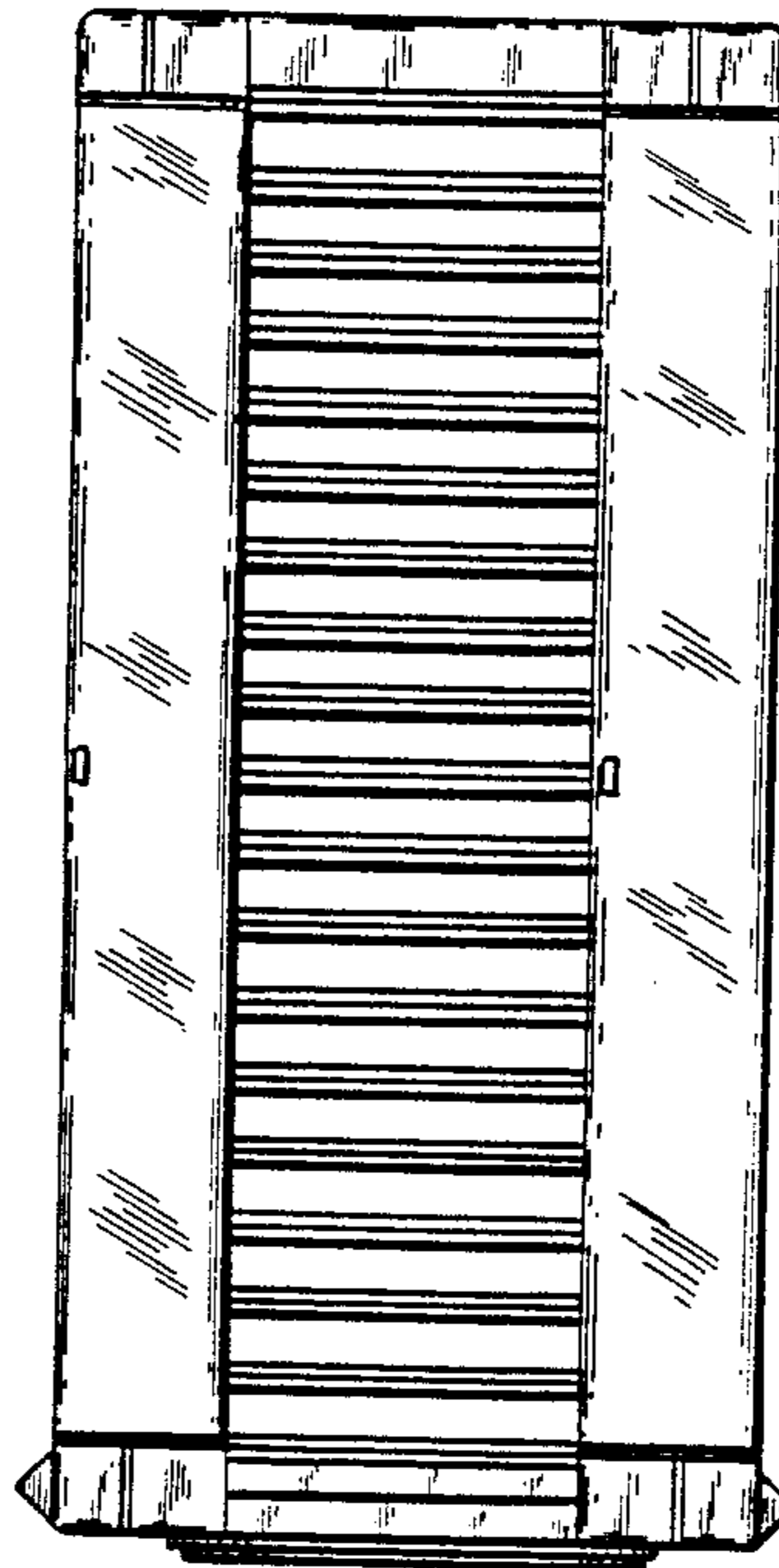
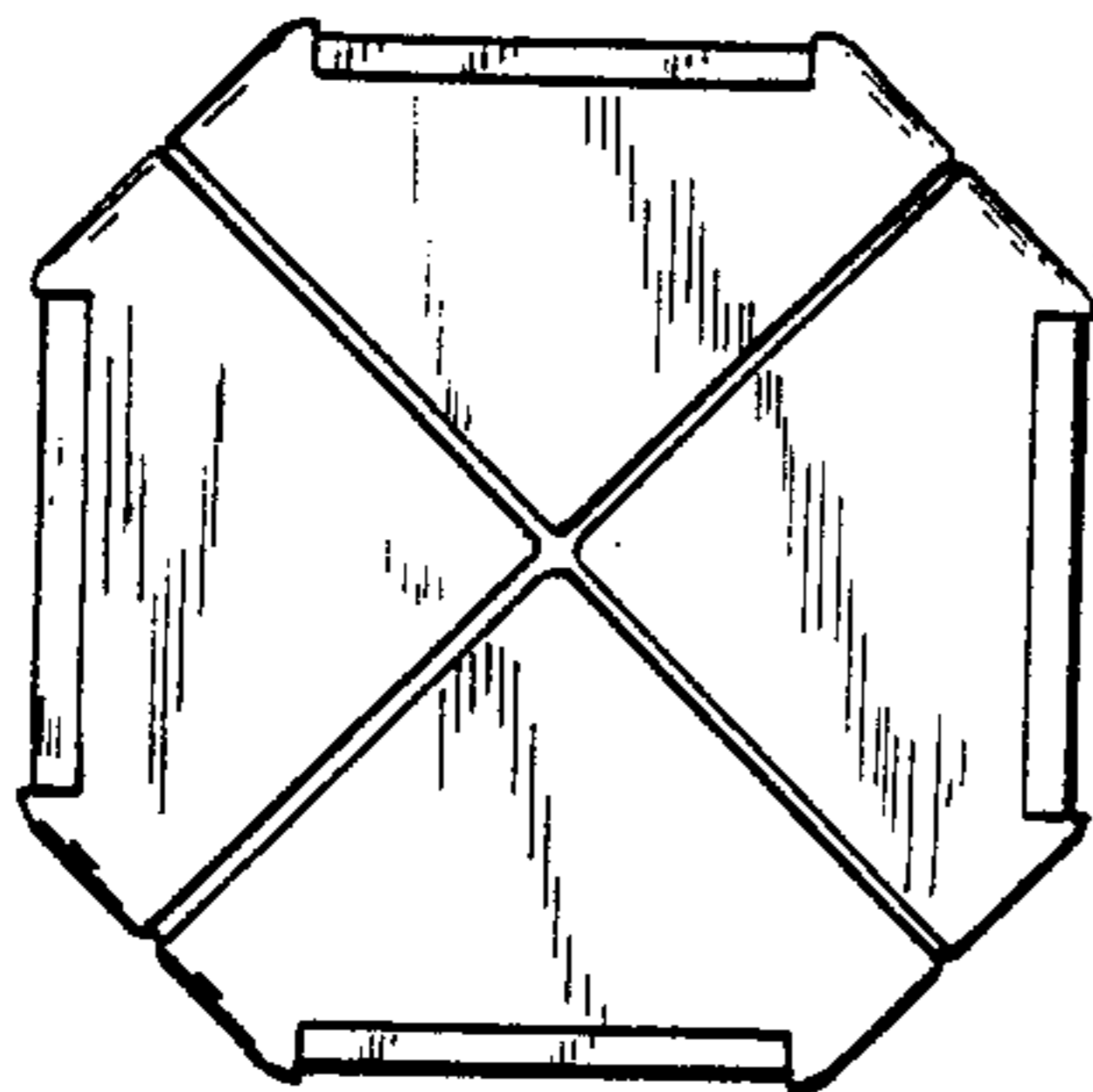
[56] References Cited

U.S. PATENT DOCUMENTS

- D. 39,376 6/1908 Berolzheimer D6/455
- D. 270,024 8/1983 Strasser D6/457 X
- 786,737 4/1905 Douglass et al. 211/163 X
- 1,361,334 12/1920 Kaley 211/163

DESCRIPTION

FIG. 1 is a top plan view of a display case for watch bands, showing my new design;
FIG. 2 is a side elevational view, the other sides being identical thereto; and
FIG. 3 is a bottom plan view thereof.



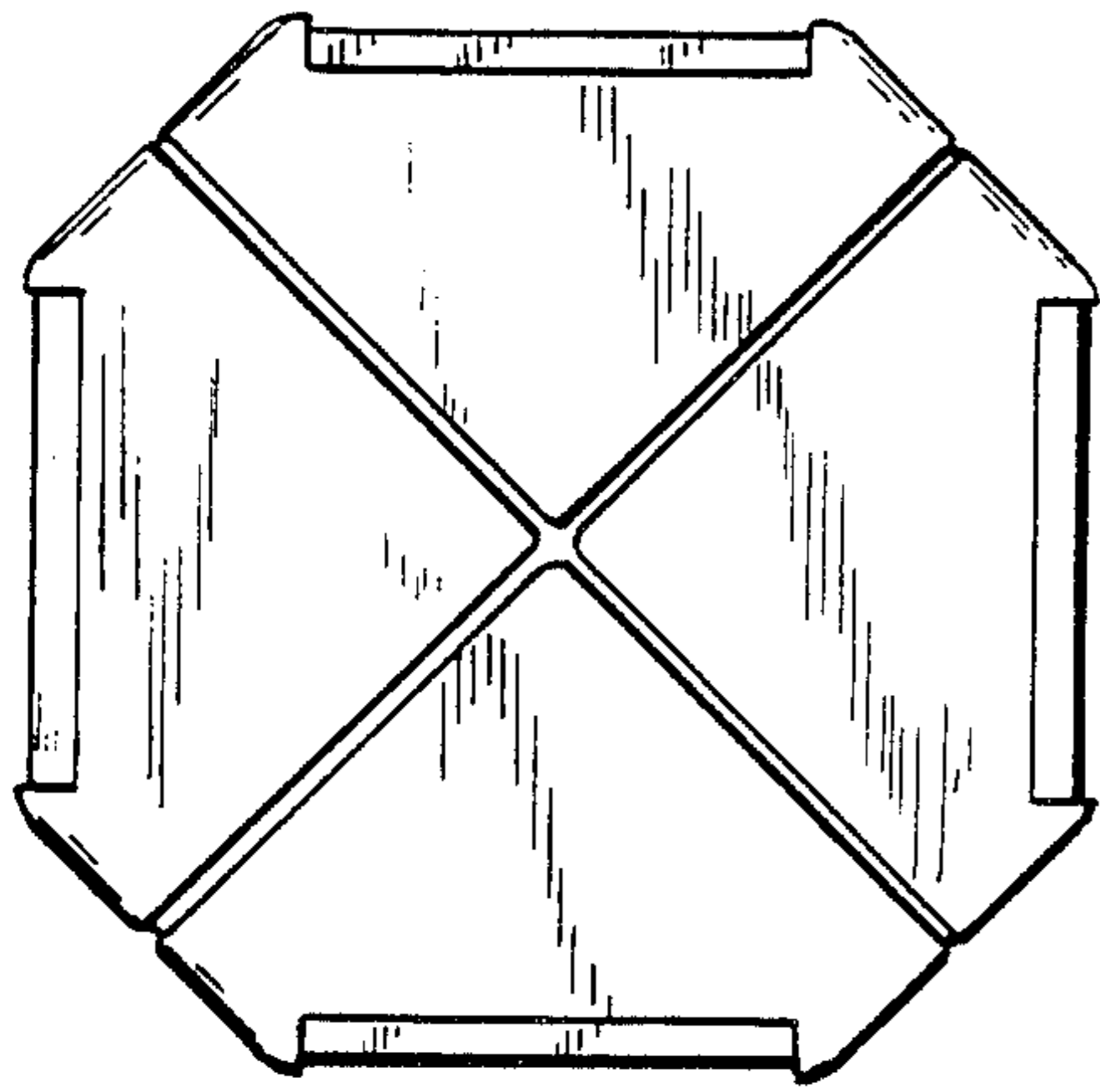


FIG. 1

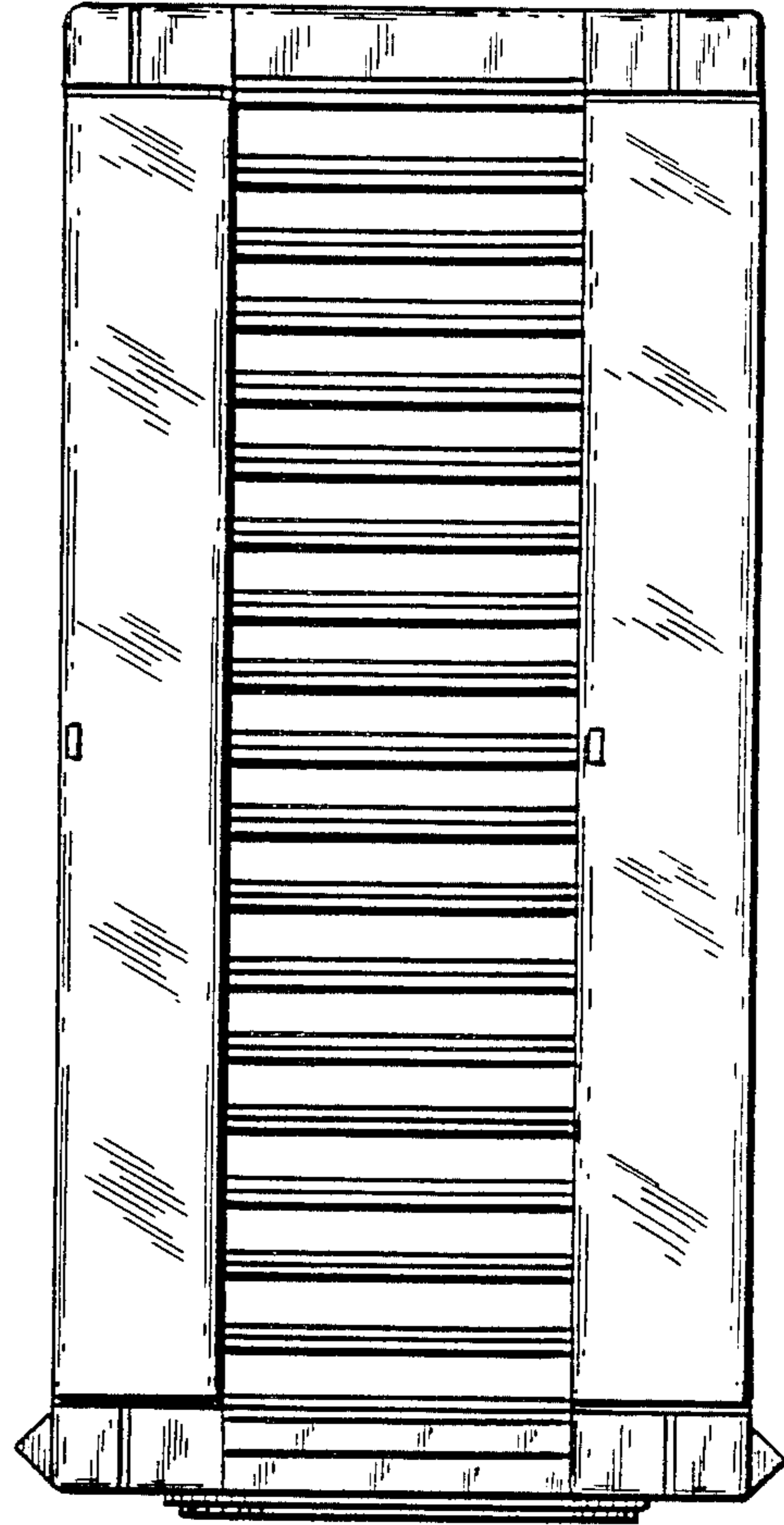


FIG. 2

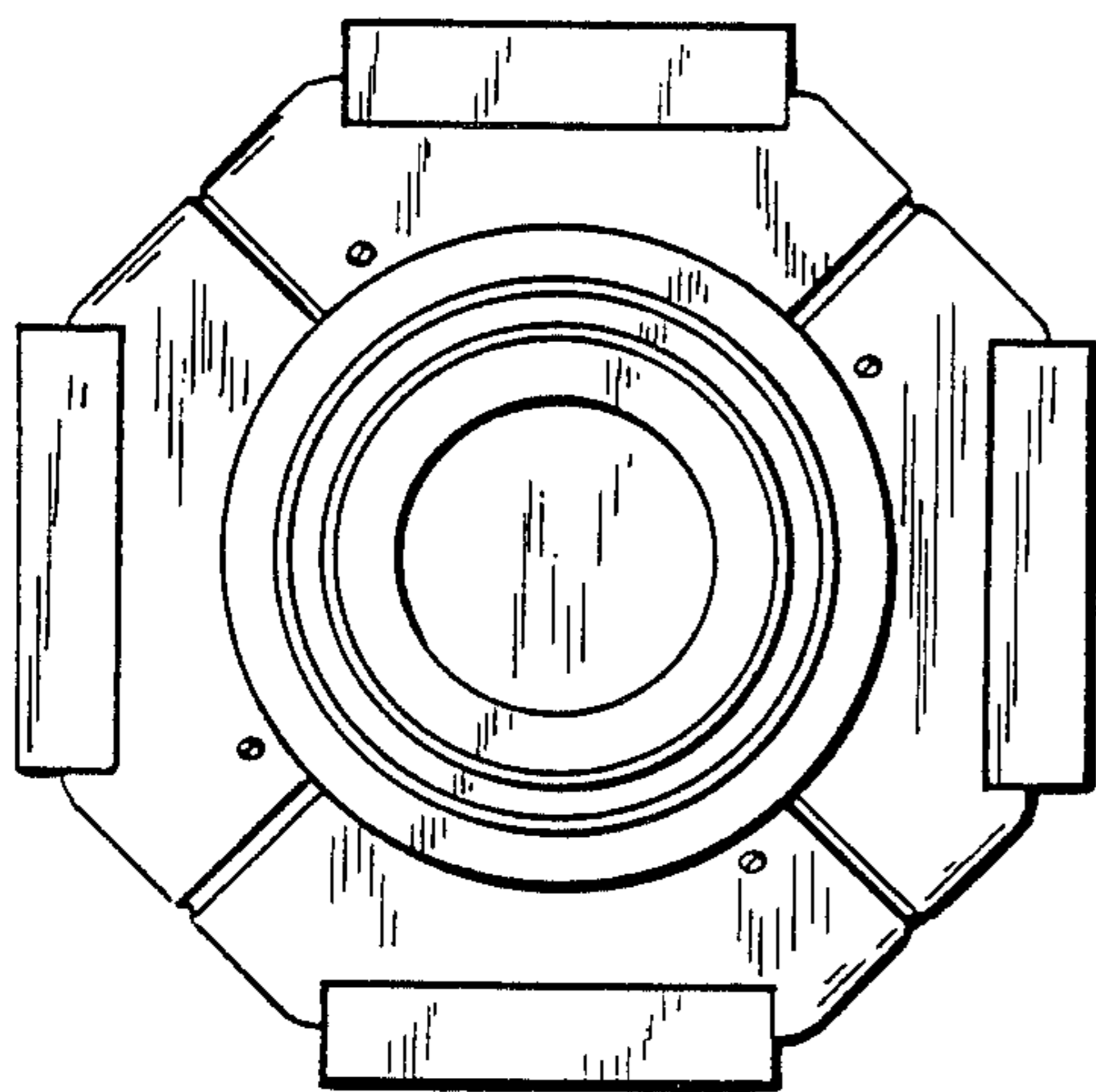


FIG. 3