

[54] COLLAPSIBLE PICNIC TABLE

[76] Inventor: Earl W. Roberson, Sr., 232 Canford Dr., Hampton, Va. 23669

[**] Term: 14 Years

[21] Appl. No.: 758,866

[22] Filed: Jul. 25, 1985

[52] U.S. Cl. D6/430; D6/429

[58] Field of Search D6/336, 429, 430, 431, D6/449, 476, 484; 108/13, 17, 18, 19, 50, 115, 69, 90; 312/100, 258

D. 199,871	12/1964	Lanigan	D6/429 X
D. 207,972	6/1967	Bellaire	D6/511 X
D. 221,386	8/1971	Babbs et al.	D6/429 X
D. 274,104	6/1984	Bockus	D6/368 X
D. 276,580	12/1984	Mandl	D6/430 X
2,827,352	3/1958	Boyajian	D6/429 X
2,937,062	5/1960	Kruse	D6/429 X

Primary Examiner—Bruce W. Dunkins
Attorney, Agent, or Firm—W. C. Tupman

[57] CLAIM

The ornamental design for a collapsible picnic table, substantially as shown and described.

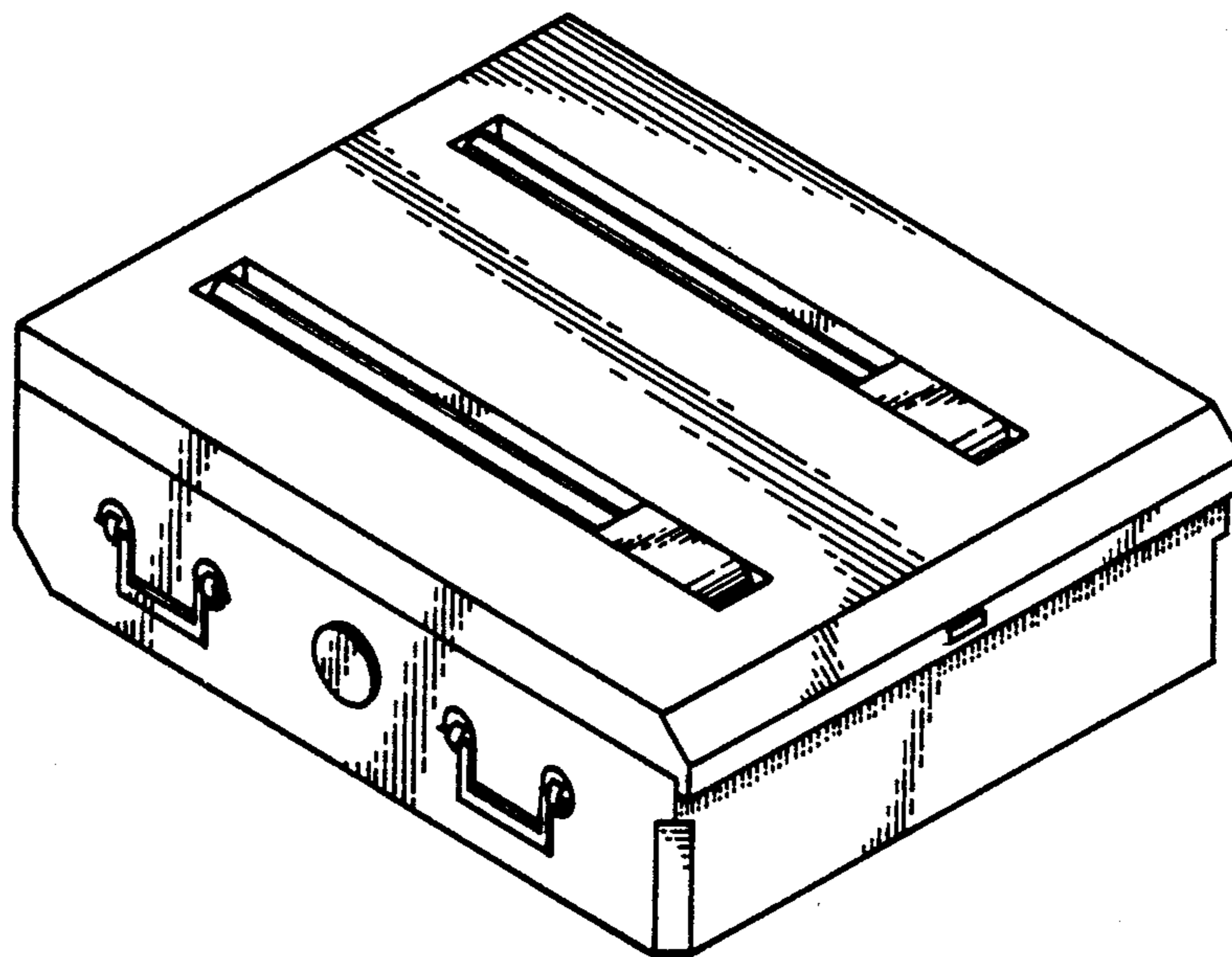
DESCRIPTION

FIG. 1 is a closed isometric view of a collapsible picnic table showing my new design; FIG. 2 is a typical side view; FIG. 3 is a rear view; FIG. 4 is a bottom view; and FIG. 5 is an open isometric view thereof.

[56] References Cited

U.S. PATENT DOCUMENTS

D. 130,079	10/1941	Weller .	
D. 131,957	4/1942	Corbett	D6/429
D. 171,182	12/1953	Bargen .	
D. 183,923	11/1958	Foster .	



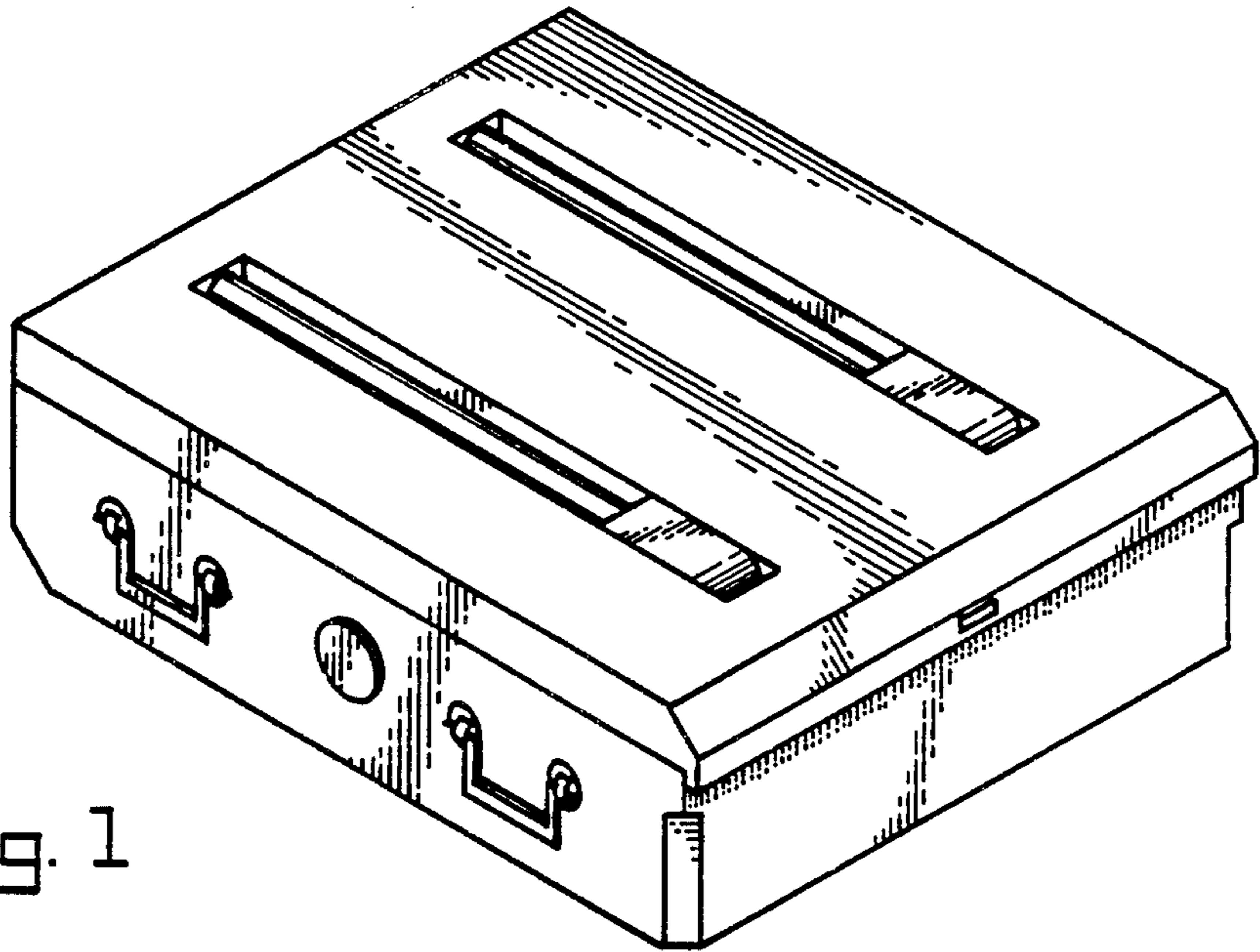


Fig. 1

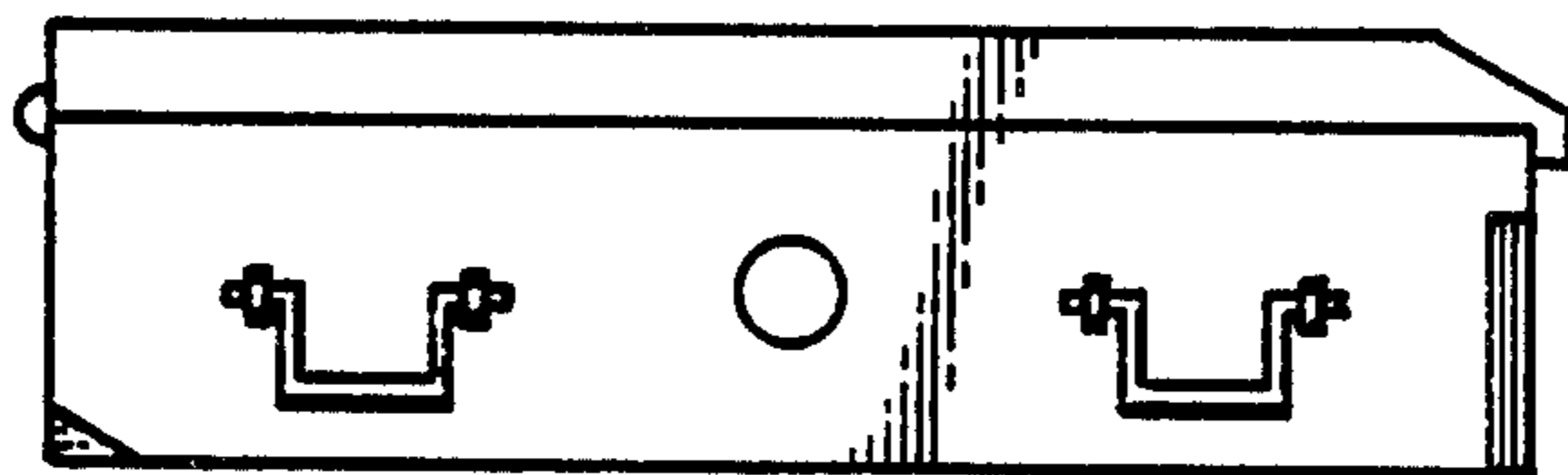


Fig. 2

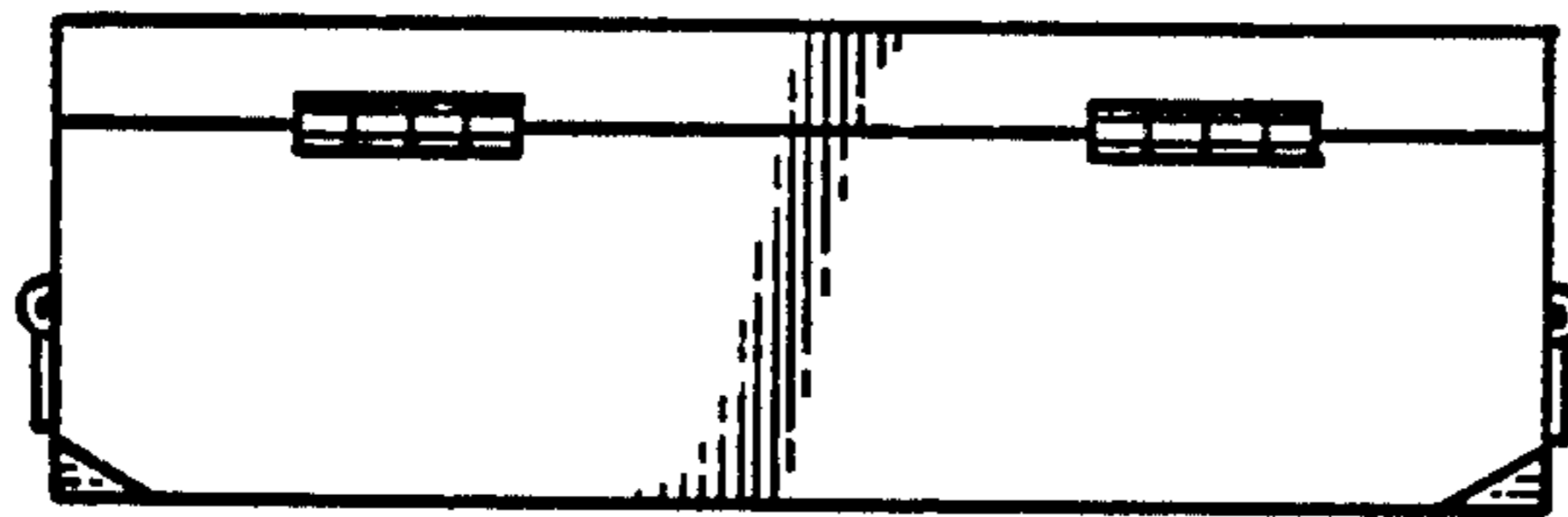


Fig. 3

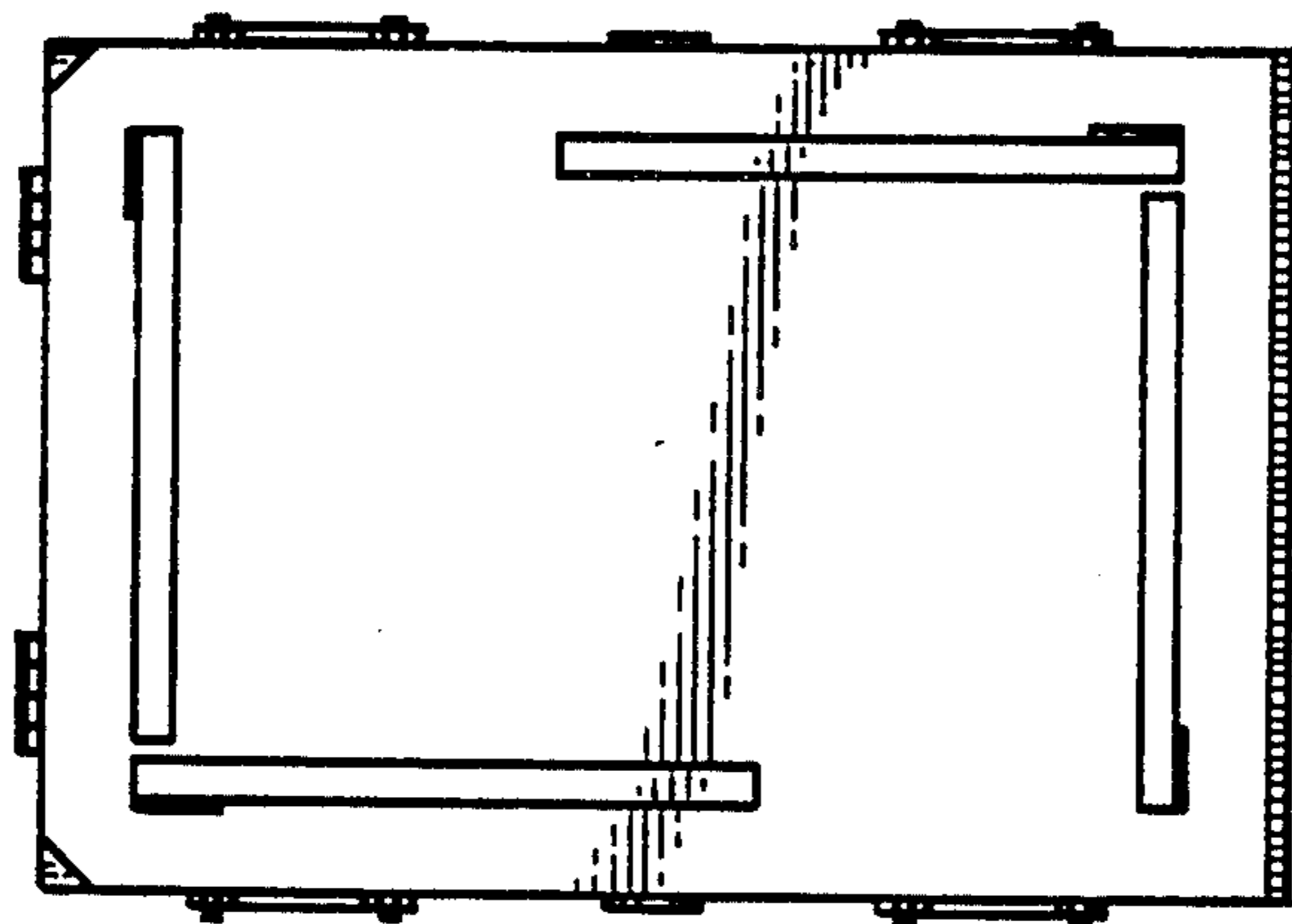


Fig. 4

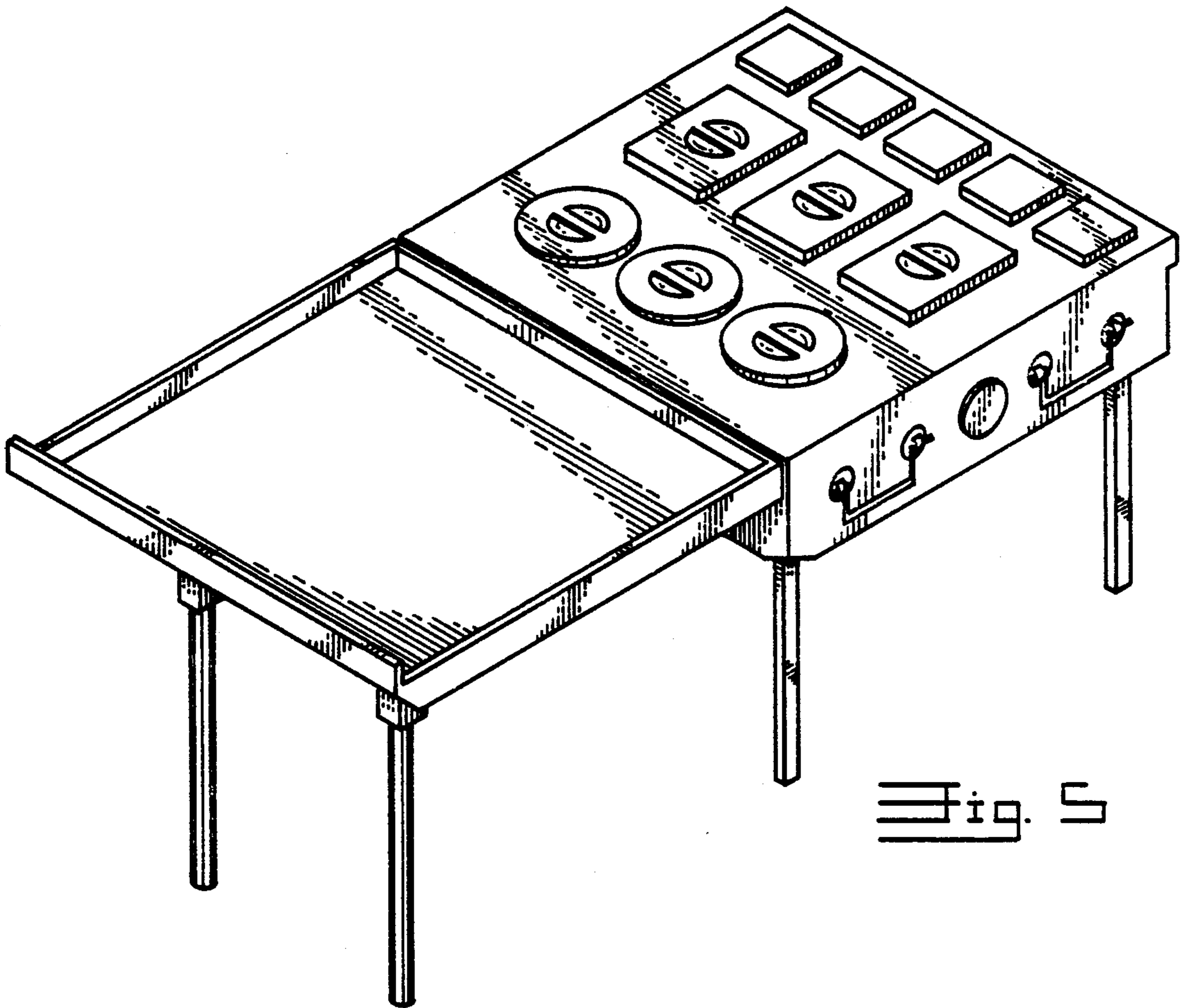


Fig. 5